

Spare parts list

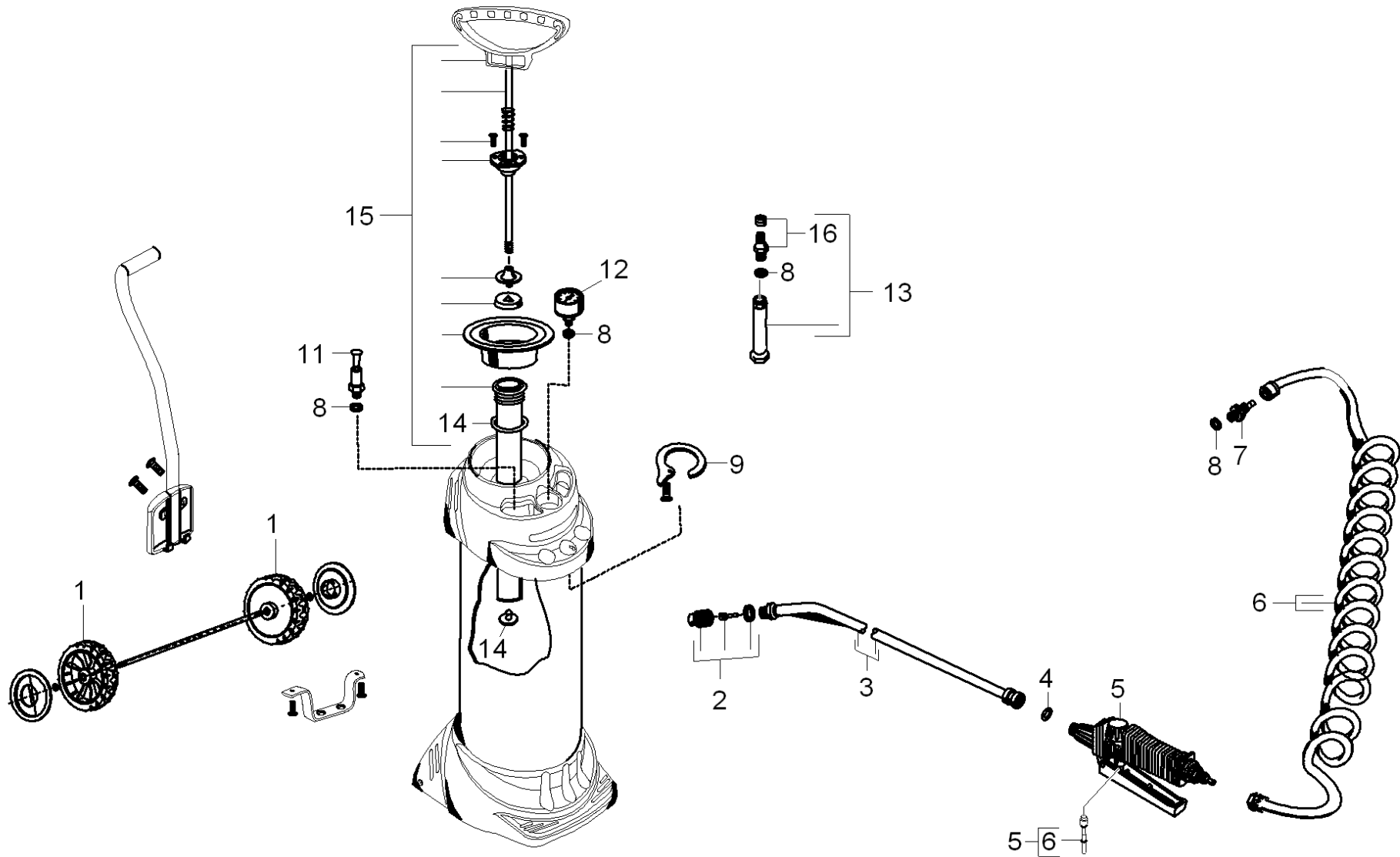
(5.970-932.0) Spare parts list RM Sprayer EK 1

Table of contents

| | |
|---|---|
| 1121 Spare parts list RM Sprayer EK 1 (5.970-932.0) | 3 |
| 10 Cleaning material spray bottle | 4 |

1121 Spare parts list RM Sprayer EK 1 (5.970-932.0)

| POS | Description | Quantity | Unit |
|------------|--------------------------------|-----------------|-------------|
| 10 | Cleaning material spray bottle | 1.000 | ST |



10 Cleaning material spray bottle

| POS | Article no. | Description | Quantity | Unit |
|-----|-------------|--------------------------------------|----------|------|
| 13 | 6.394-635.0 | Filling valve with pressure switch | 1.000 | ST |
| 9 | 6.394-640.0 | Holder pump | 1.000 | ST |
| 7 | 6.393-226.0 | Nipple M10 | 1.000 | ST |
| 2 | 6.394-046.0 | Nozzle complete | 1.000 | ST |
| 4 | 6.394-038.0 | O-Ring seal 10,0 X 3,0 - VITON | 1.000 | ST |
| 10 | 6.393-231.0 | Pressure bolt O-Ring seal | 1.000 | ST |
| 12 | 6.393-220.0 | Pressure gauge with O-Ring seal | 1.000 | ST |
| 15 | 6.394-636.0 | Pump für HD 1005 | 1.000 | ST |
| 11 | 6.393-221.0 | Safety valve | 1.000 | ST |
| 8 | 6.393-241.0 | Seal 14x9,7x2 | 3.000 | ST |
| 14 | 6.394-639.0 | Set of gaskets 6010 LN | 1.000 | ST |
| 6 | 6.394-638.0 | Spiral hose PU 2,5m + Ms Nippel M 10 | 1.000 | ST |
| 5 | 6.393-314.0 | Stop valve complete | 1.000 | ST |
| 3 | 6.393-194.0 | Tube pistol curved | 1.000 | ST |
| 16 | 6.393-240.0 | Valve tire R1/8"-CuZn | 1.000 | ST |
| 1 | 6.394-637.0 | Wheel 150 RD Ks | 2.000 | ST |