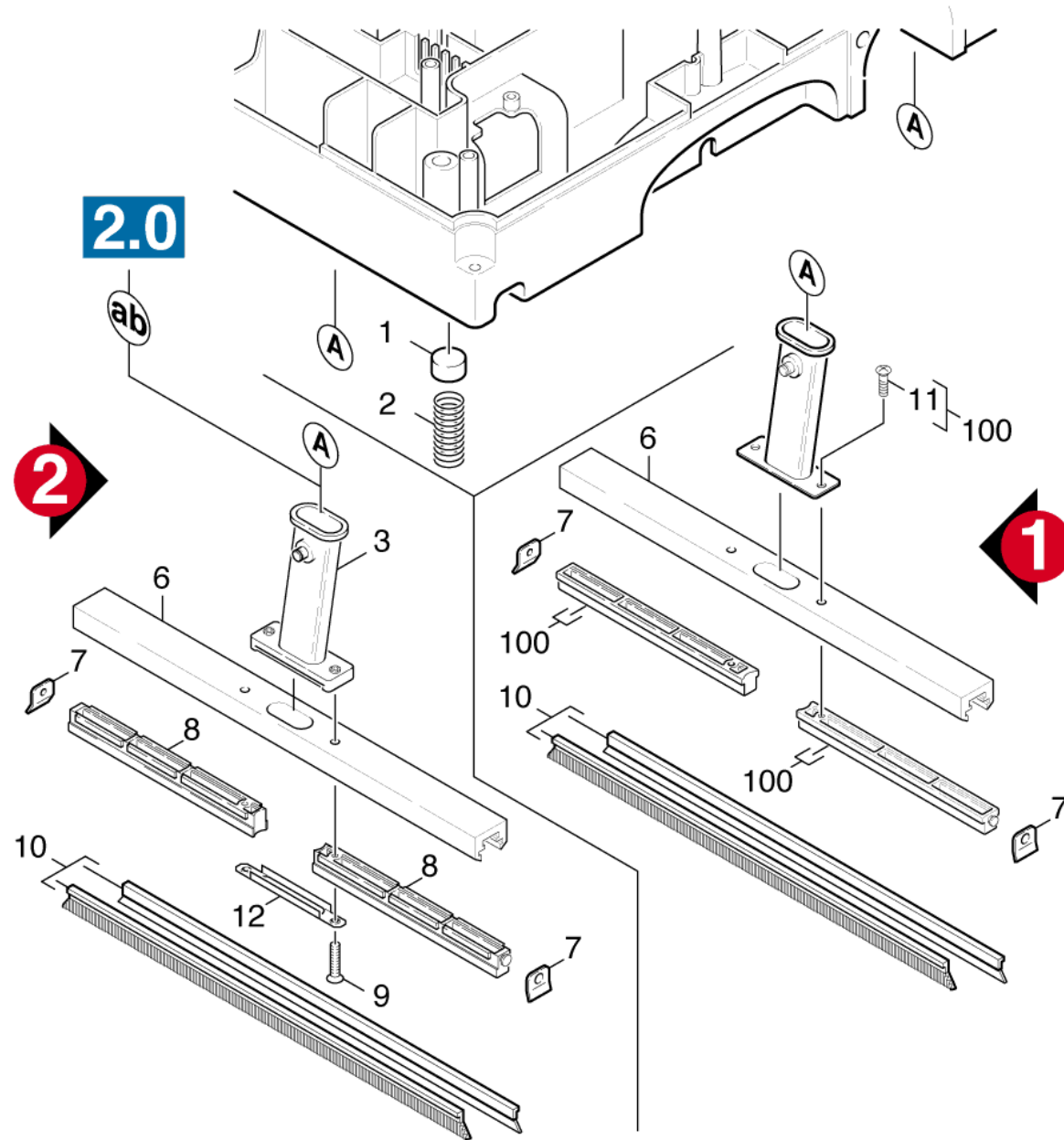


35 Suction mechanism

Overview technical documents/Professional/Floor cleaner/Compact/BR 400-PLUS * EU (1.926-521.0)/Spare parts list BR 400/30 Appliance bottom part/35 Suction mechanism



35 Suction mechanism

Overview technical documents/Professional/Floor cleaner/Compact/BR 400-PLUS * EU (1.926-521.0)/Spare parts list BR 400/30 Appliance bottom part/35 Suction mechanism

Rez.daļas/nodil.pakļ.daļas	Poz.	Materiāla Nr.	Nosaukums	Daudzums	Pārdoš. vienība	no sēr. Nr..	līdz sēr. Nr.
	1	5.115-588.0	Washer	4.000	ST	0000000000	0000000000
X-X	2	5.332-216.0	Helical spring	4.000	ST	0000000000	0000000000
	3	5.013-072.0	Funnel	2.000	ST	0000000000	0000000000
	6	5.030-862.0	Profile	2.000	ST	0000000000	0000000000
X-X	7	5.003-029.0	Plate	4.000	ST	0000000000	0000000000
	8	5.031-072.0	Moulded part	4.000	ST	0000000000	0000000000
	9	7.305-037.0	Countersunk screw M4x30-A2-70 (IN6RD)	4.000	ST	0000016790	0000000000
	9	7.306-209.0	Screw M 4X 20-A2-70 (In6Rd)	4.000	ST	0000000000	0000016789
X-X	10	5.181-041.0	Sliede, pelēka	2.000	ZSA	0000000000	0000000000
X-X	10	5.181-040.0	Blīvējošās sloksnes	2.000	ZSA	0000000000	0000000000
X	11	7.303-104.0	Skrūve 5x16 -A2-70 (IN6RD)	4.000	ST	0000000000	0000000000
	12	5.042-888.0	Holder	2.000	ST	0000016790	0000000000
	100	2.882-379.0	Conversion kit	1.000	ST	0000000000	0000000000