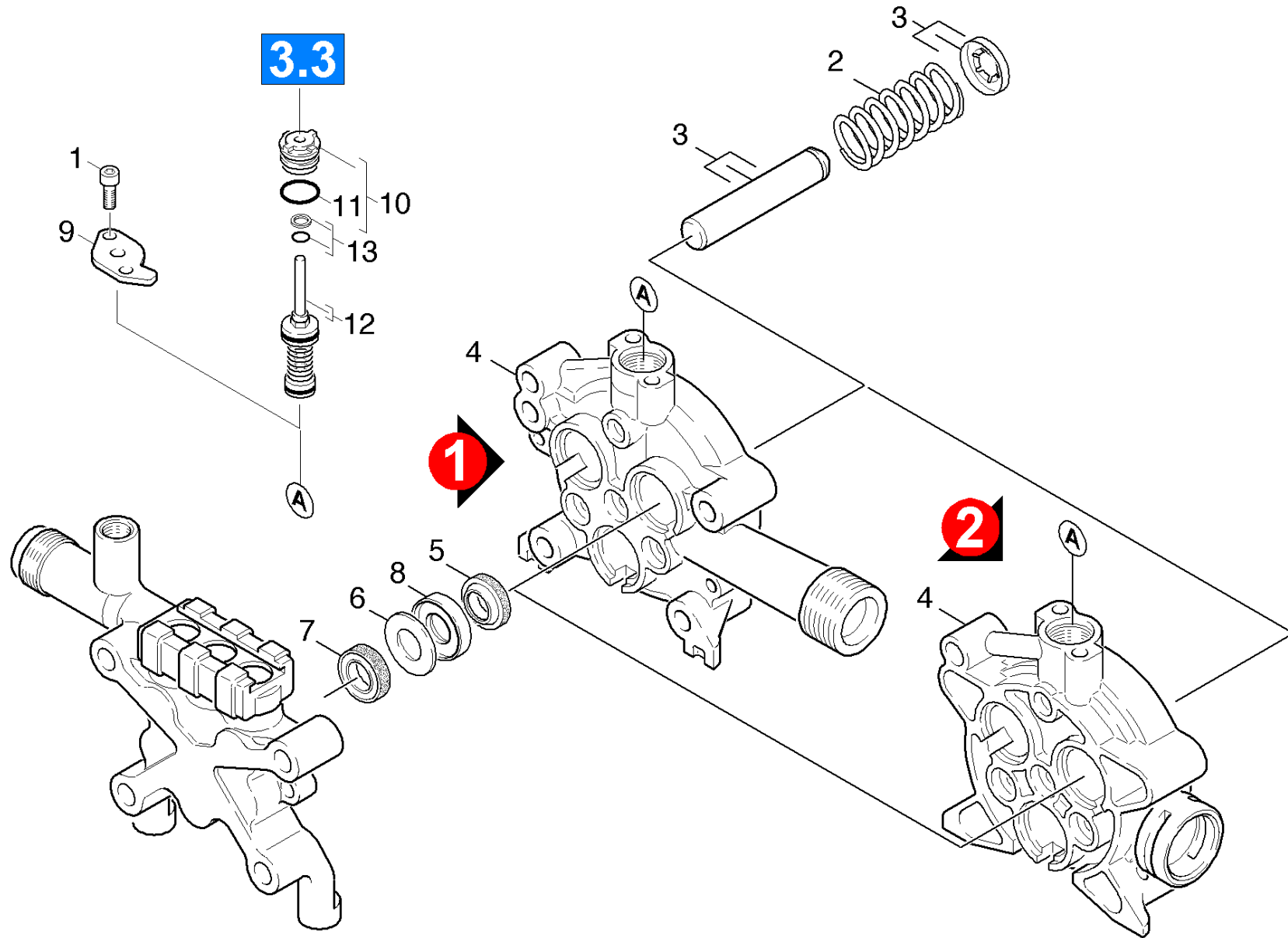


## 23 Piston

Overview technical documents/Professional/High pressure cleaner hotwater/Electric motor/HDS 501 C \*J/20 Pump set/23 Piston



## 23 Piston

Overview technical documents/Professional/High pressure cleaner hotwater/Electric motor/HDS 501 C \*JP (1.272-108.0)/Spare parts list HDS 501C \*/J/20 Pump set/23 Piston

Rez.daļas/nodil.pakļ.daļas	Poz.	Materiāla Nr.	Nosaukums	Daudzums	Pārdoš. vienība	no sēr. Nr..	līdz sēr. Nr.	Daž. informācija
	1	7.306-090.0	Screw M6x16 -8.8-R3R (In6Rd)	2.000	ST	0000000000	0000000000	
X-X	2	5.332-437.0	Pressure spring	3.000	ST	0000000000	0000000000	
	3	4.553-173.0	Piston complete	3.000	ST	0000000000	0000000000	
X	4	5.060-910.0	Piston guidance	1.000	ST	0000000000	0000000000	VERSION 2
	4	4.060-820.0	Piston	1.000	ST	0000000000	0000000000	VERSION 1
X-X	5	6.365-414.0	Gredzens ar gropi 12X20X5/6	3.000	ST	0000000000	0000000000	
X-X	6	5.115-721.0	Paplāksne	3.000	ST	0000000000	0000000000	
X-X	7	6.365-394.0	Gredzens ar gropi 12x20x5,3/2,8	3.000	ST	0000000000	0000000000	
X-X	8	5.115-720.0	Washer	3.000	ST	0000000000	0000000000	
	9	5.064-127.0	Cover	1.000	ST	0000000000	0000000000	
	10	4.030-069.0	Moulded part complete only for replaceme	1.000	ST	0000000000	0000000000	
X-X	11	6.362-169.0	Gredzenblīve 12,0 X 2,0	1.000	ST	0000000000	0000000000	
X-X	12	4.580-325.0	Excess-current complete	1.000	ST	0000000000	0000000000	
X	13	6.362-852.0	Gredzenblīve, pilns komplekts 3,69	1.000	ST	0000000000	0000000000	
X-X	100	2.883-827.0	Pump kit	1.000	ST	0000000000	0000000000	