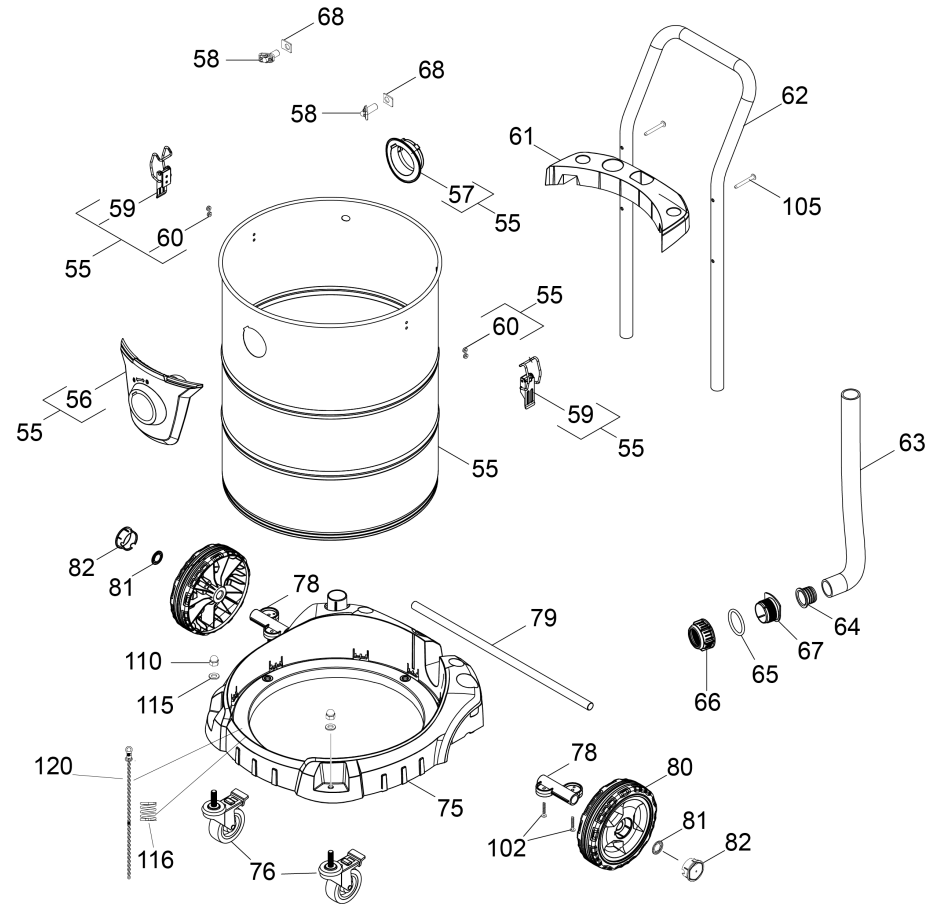


# 40 Tank

Professional \ Vacuum cleaner \ Wet-/dry vacuum cleaner \ NT 90/2 Me Classic \*EU \ Spare parts list NT 90/2 Me Classic \*EU \ Tank



## 40 Tank

Professional \ Vacuum cleaner \ Wet-/dry vacuum cleaner \ NT 90/2 Me Classic \*EU \ Spare parts list NT 90/2 Me Classic \*EU \ Tank

**KÄRCHER**

POS	Article no.	Description	Quantity	Unit
55	9.755-466.0	Tank stainless steel complete 90l	1	PC
56	9.770-859.0	Suction connection	1	PC
57	9.770-860.0	Suction connection ring	1	PC
58	9.770-869.0	Fixing	2	PC
59	9.770-875.0	Locking clip	2	PC
60	9.770-641.0	Blind rivet 4.8x7	4	PC
61	9.770-864.0	Holder shearing shackle	1	PC
62	9.770-865.0	Shearing shackle	1	PC
63	9.770-923.0	Drain hose	1	PC
64	9.770-929.0	Flanged bushing	1	PC
65	9.770-928.0	O-Ring seal 44,0x5,0	1	PC
66	9.770-878.0	Nut drain hose	1	PC
67	9.770-894.0	Adapter drain hose	1	PC
68	5.363-038.0	Seal 25x20	2	PC
75	9.770-861.0	Bumper	1	PC
76	9.770-921.0	Castor with brake	2	PC
78	9.770-863.0	Holder axle	2	PC
79	9.770-862.0	Axle	1	PC
80	5.515-361.0	Wheel D180	2	PC
81	9.761-044.0	Lock washer 6.343-168.0	2	PC
82	5.392-980.0	Wheel cap small	2	PC
102	7.303-086.0	Screw 5x30 -10.9-R2R (K-In6Rd)	4	PC
105	7.303-209.0	Screw 6x50-10.9-R2R (K-In6Rd)	2	PC
110	7.311-402.0	Cap nut M10-A1-50 DIN 1587	2	PC
115	7.312-066.0	Washer 10 -A2 ISO 7089	2	PC
116	5.332-914.0	Spring	1	PC
120	9.771-057.0	Metal chain station	1	PC