

## **Spare parts list**

(1.049-101.0) KSM 750 BAT

## Table of contents

---

KSM 750 BAT (1.049-101.0)	3
Spare parts list KSM 750 BAT (5.955-728.0)	4
10 Base frame	5
20 Cover	7
21 Cover	8
22 Cover	10
23 Cover	12
30 Shearing shackle	14
40 Transmission	16
50 Transmission side broom	18
60 Motor	21
70 Sweep roller chest	24
71 Sweep roller chest	25
72 Sweep roller chest	27
73 Sweep roller chest	29
80 Reversing rolling mill	32
90 Sweep tank	34
100 Vibrator	36

KSM 750 BAT (1.049-101.0)

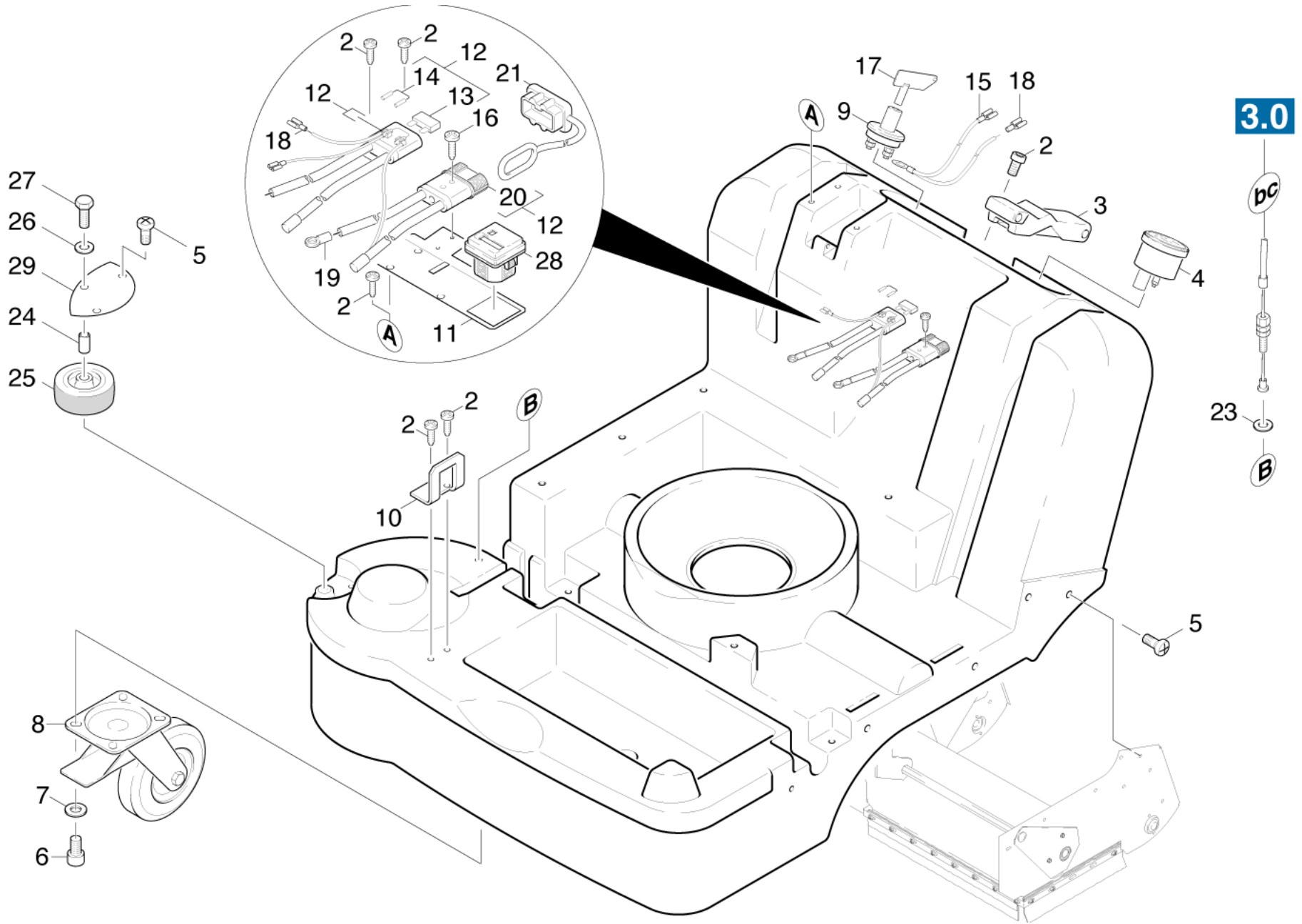
---

POS	Article no.	Description	Quantity	Unit
0	5.955-728.0	Spare parts list KSM 750 BAT	1	PC
<b>Item text2:</b> 10491010				

---

Spare parts list KSM 750 BAT (5.955-728.0)

POS	Description	Quantity	Unit
10	Base frame	1	PC
20	Cover	1	PC
60	Motor	1	PC
80	Reversing rolling mill	1	PC
30	Shearing shackle	1	PC
70	Sweep roller chest	1	PC
90	Sweep tank	1	PC
40	Transmission	1	PC
50	Transmission side broom	1	PC
100	Vibrator	1	PC



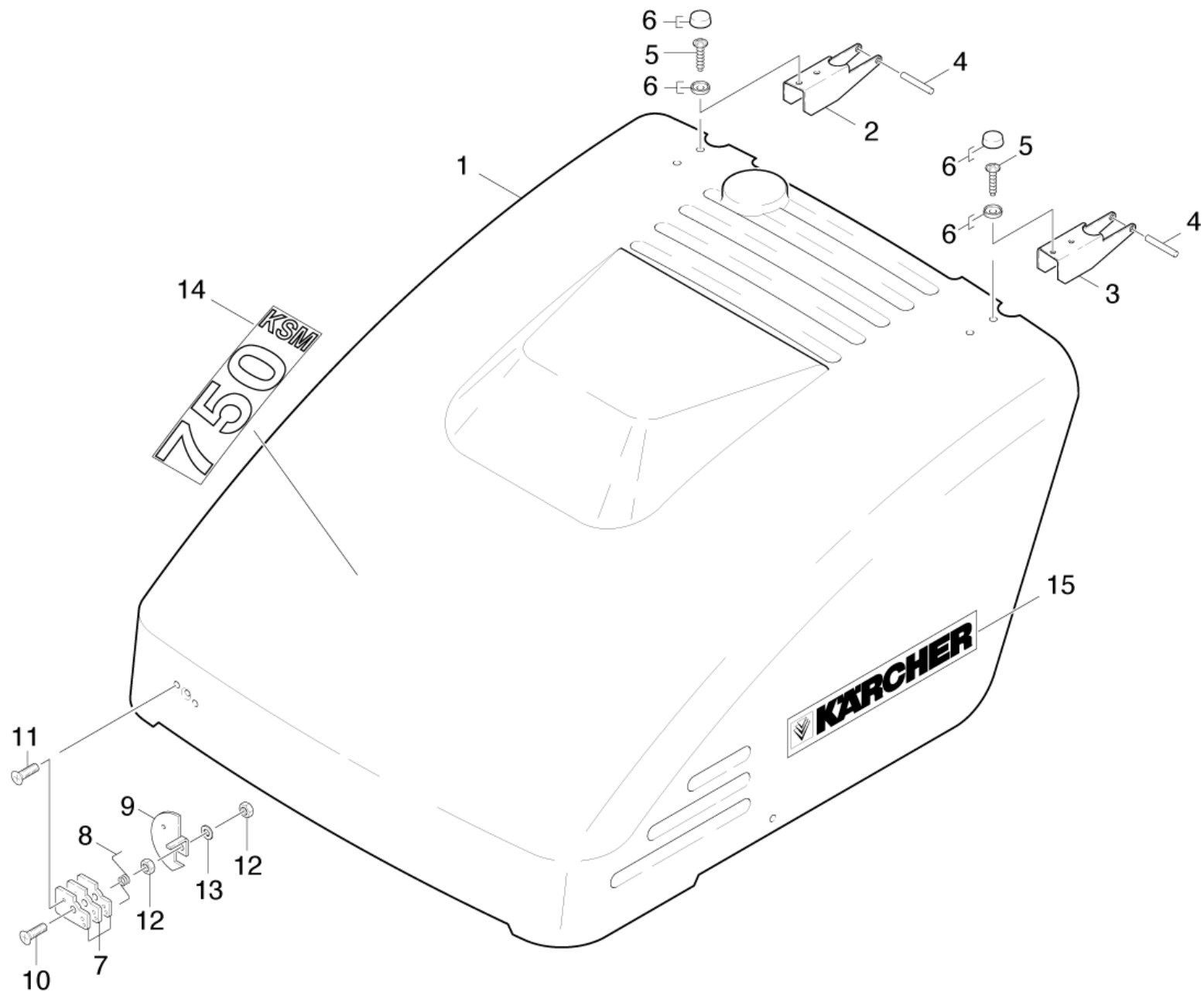
## 10 Base frame

POS	Article no.	Description	Quantity	Unit	valid from	valid until
10	5.019-383.0	Angle	1	PC		11895
19	6.641-259.0	Cable lug M8 x 6, gelb	1	PC		
6	7.306-041.0	Cylinder head screw M8x20 -8.8-A2E ISO	4	PC		
13	6.644-272.0	Flat fuse MEGA 50A	1	PC		
14	7.644-006.0	Fuse insert C 3 DIN 72581-3	1	PC		
27	7.304-386.0	Hexagonal head screw M 6x25-8.8-A2E ISO	1	PC	16670	
28	6.681-081.0	Hour counter	1	PC		
17	6.634-201.0	Key	1	PC		
9	6.634-196.0	Key switch	1	PC		
20	6.646-345.0	Plug two-pole grey 50A--SB50	1	PC		
21	6.368-278.0	Protecting cap	1	PC		
18	6.641-238.0	Receptacles for tabs	2	PC		
2	6.303-155.0	Screw 5x16	7	PC		
5	6.303-174.0	Screw 6,0X20-ST-A2R	11	PC		
16	7.303-501.0	Self-tapping screw M3x20-ST-A2E DIN 7500	2	PC		
3	6.375-338.0	Snap fastener	1	PC		
4	7.777-999.0	Stockpiling discontinued	1	PC		
8	7.777-999.0	Stockpiling discontinued	1	PC		
11	7.777-999.0	Stockpiling discontinued	1	PC		
12	7.777-999.0	Stockpiling discontinued	1	PC		11895
12	7.777-999.0	Stockpiling discontinued	1	PC		16669
12	7.777-999.0	Stockpiling discontinued	1	PC	16670	
15	7.777-999.0	Stockpiling discontinued	1	PC		16669
15	7.777-999.0	Stockpiling discontinued	1	PC	16670	
24	7.777-999.0	Stockpiling discontinued	1	PC	16670	
29	7.777-999.0	Stockpiling discontinued	1	PC	16670	
26	7.312-003.0	Washer 6 -200HV-A3E ISO 7089	1	PC	16670	
23	7.312-276.0	Washer 6-200HV-A2E ISO 7093-1	1	PC		
7	7.312-004.0	Washer 8 -200HV-A3E ISO 7089	4	PC		
25	6.435-373.0	Wheel traceless grey D50	1	PC	16670	

20 Cover

---

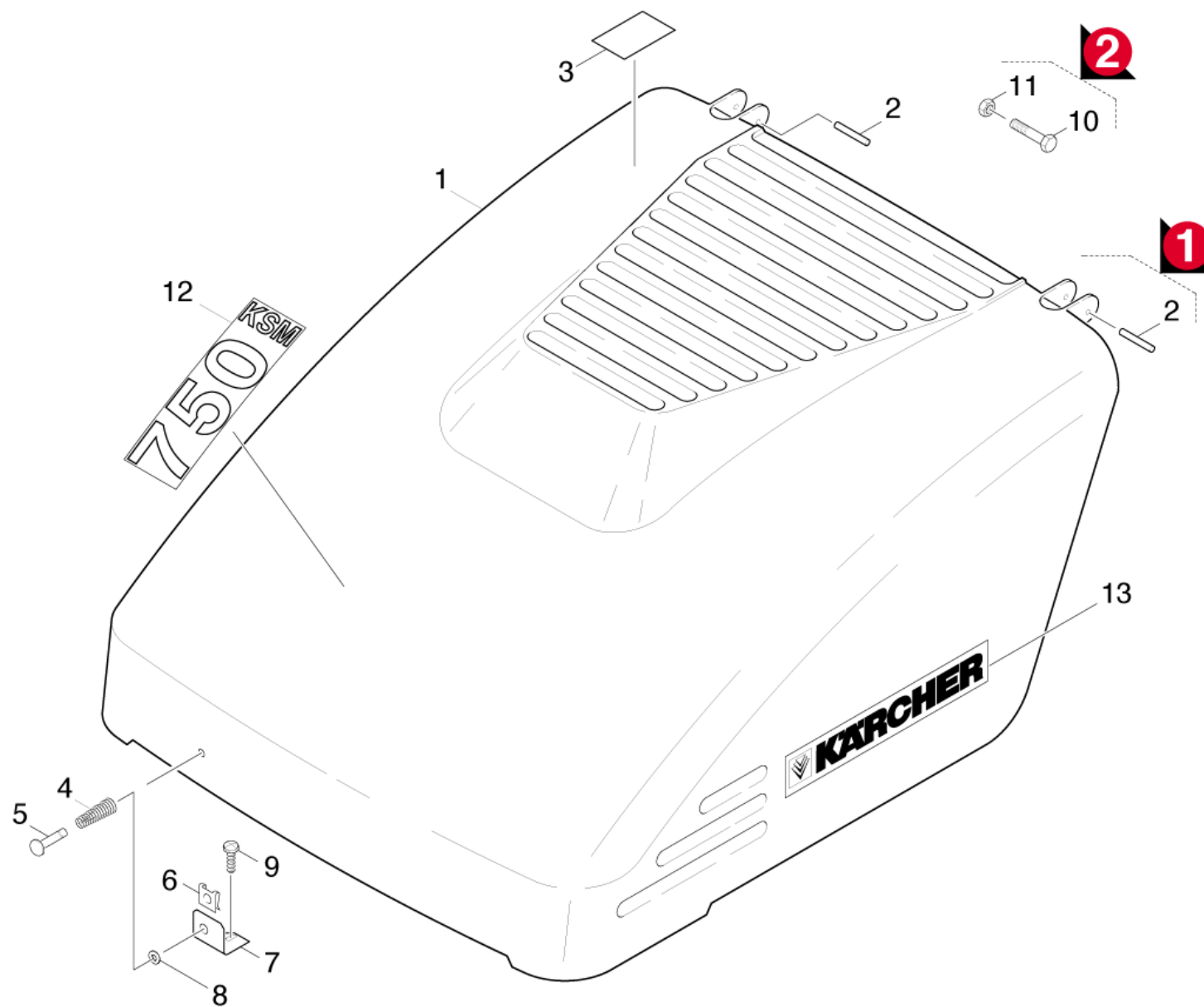
POS	Description	Quantity	Unit	Remark
21	Cover	1	PC	VERSION 1
22	Cover	1	PC	VERSION 2
23	Cover	1	PC	VERSION 3





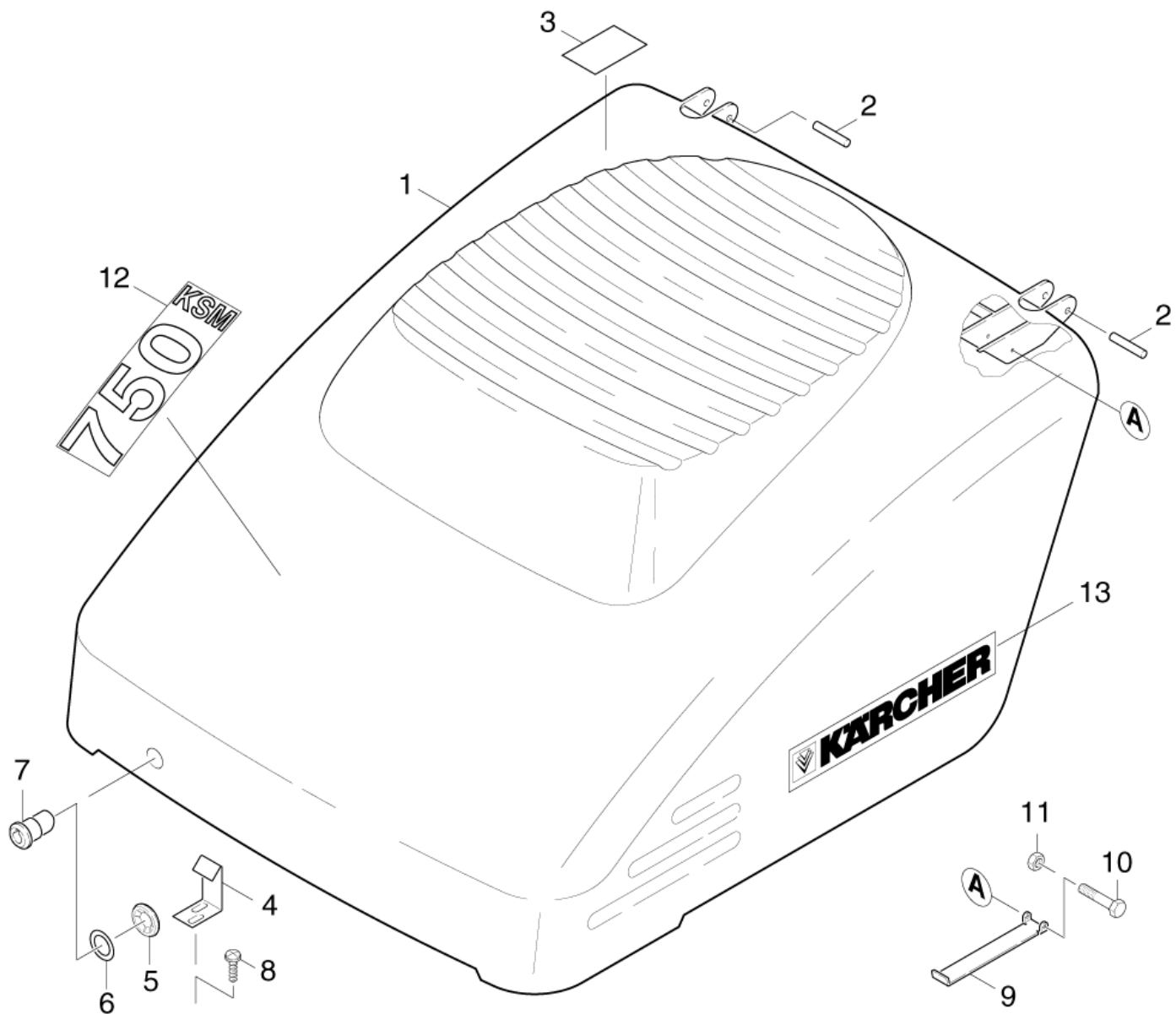
## 21 Cover

POS	Article no.	Description	Quantity	Unit
15	5.390-708.0	Character	2	PC
10	7.305-058.0	Countersunk screw M6x40-St-8.8-ZNBHL ISO14581	1	PC
12	7.311-003.0	Hexagon nut M6 -8-A2E ISO 4032	2	PC
14	5.380-486.0	Label character KSM 750	1	PC
5	6.303-192.0	Screw M5x12 TX TAPTITE2000	4	PC
8	5.332-400.0	Spiral spring belt stretcher	1	PC
1	7.777-999.0	Stockpiling discontinued	1	PC
2	7.777-999.0	Stockpiling discontinued	1	PC
3	7.777-999.0	Stockpiling discontinued	1	PC
4	7.777-999.0	Stockpiling discontinued	2	PC
6	7.777-999.0	Stockpiling discontinued	4	PC
7	7.777-999.0	Stockpiling discontinued	3	PC
9	7.777-999.0	Stockpiling discontinued	1	PC
11	7.777-999.0	Stockpiling discontinued	2	PC
13	7.312-003.0	Washer 6 -200HV-A3E ISO 7089	1	PC



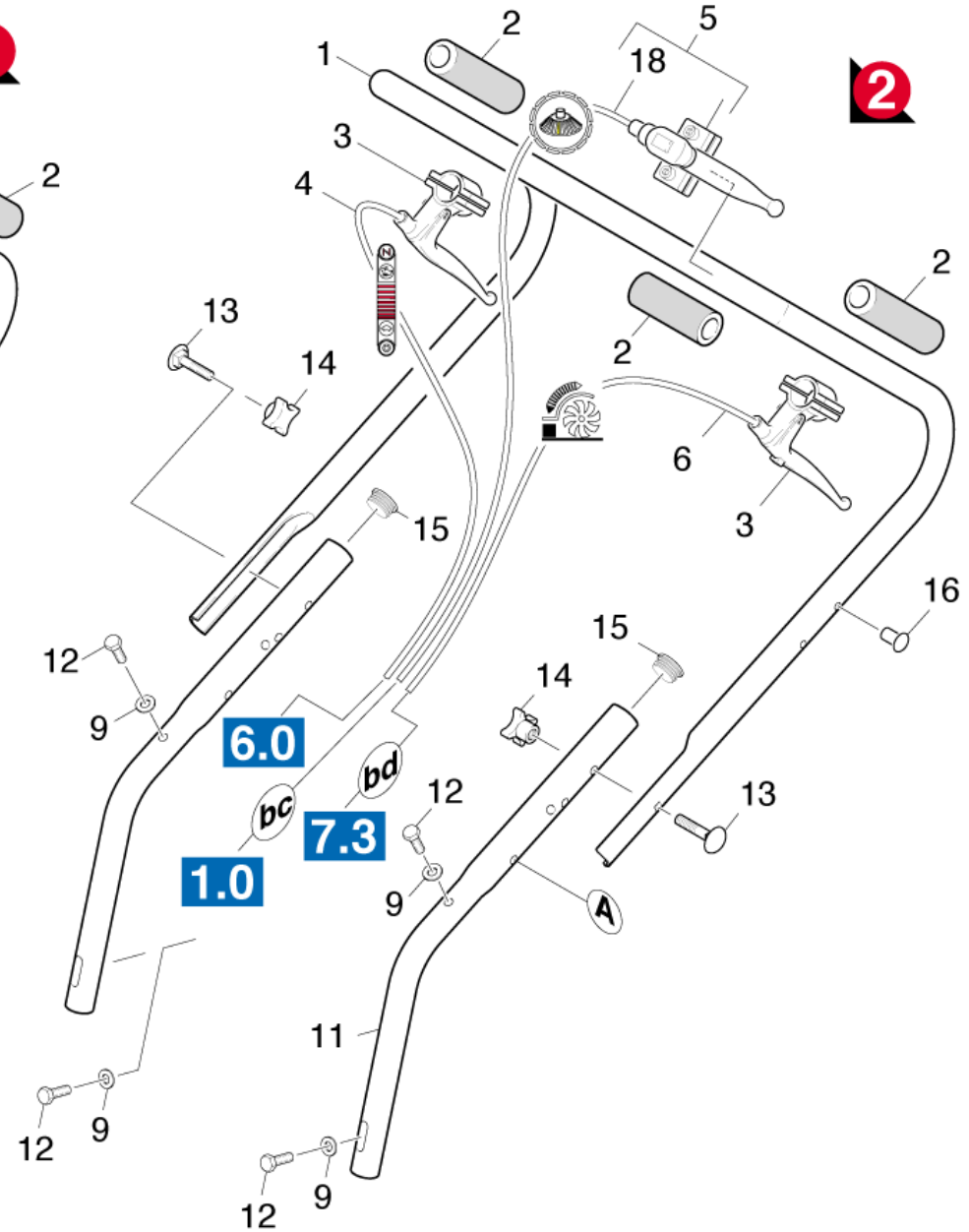
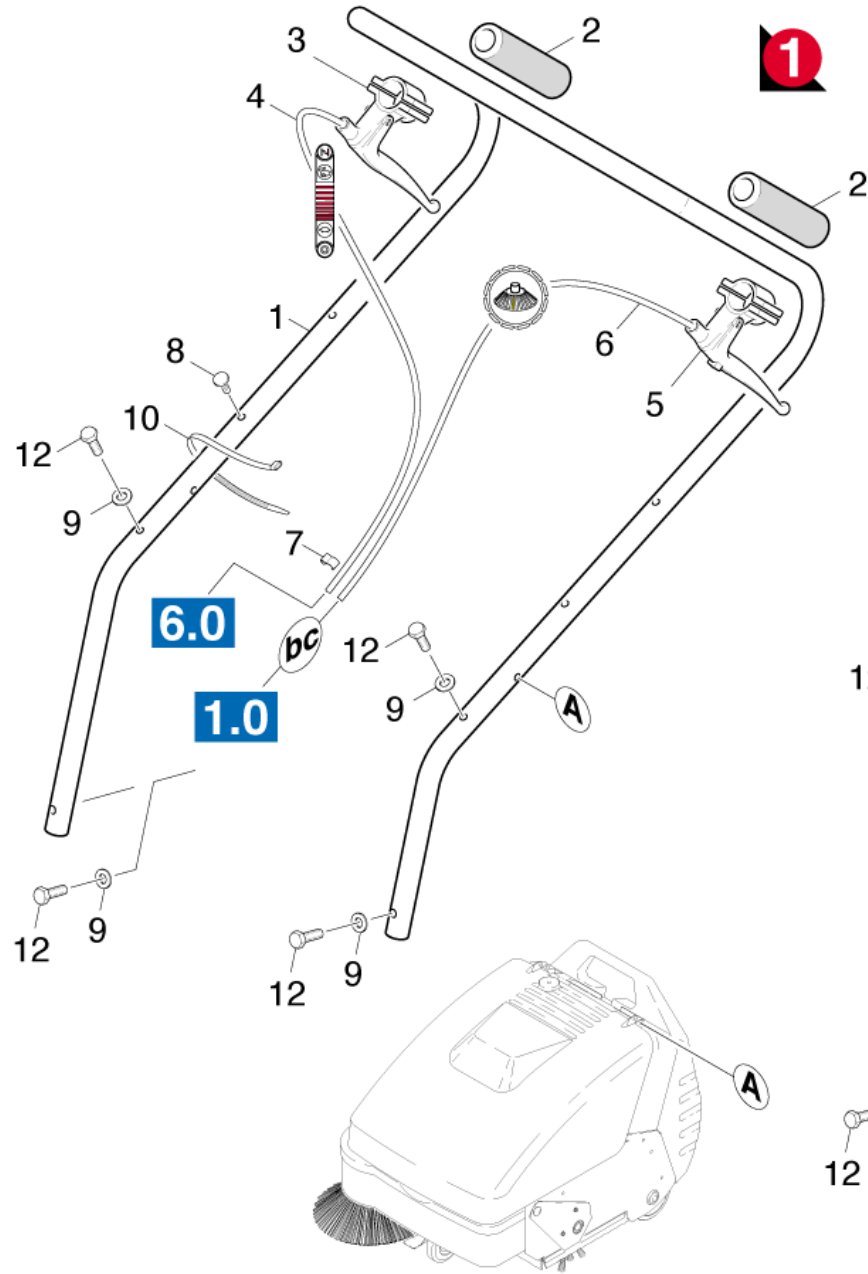
## 22 Cover

POS	Article no.	Description	Quantity	Unit	Remark
13	5.390-708.0	Character	2	PC	
10	7.306-167.0	Cylinder head screw M 4x40-8.8-A2E DIN	2	PC	
11	7.311-516.0	Hexagon nut M4-A2-70 DIN 985	2	PC	NEU
3	5.382-041.0	Label Batteriestecker	1	PC	
12	5.380-486.0	Label character KSM 750	1	PC	
5	6.316-090.0	Pin closure cover KSM750	1	PC	
9	6.303-155.0	Screw 5x16	1	PC	
1	7.777-999.0	Stockpiling discontinued	1	PC	
2	7.777-999.0	Stockpiling discontinued	2	PC	ALT
4	7.777-999.0	Stockpiling discontinued	1	PC	
6	7.777-999.0	Stockpiling discontinued	1	PC	
7	7.777-999.0	Stockpiling discontinued	1	PC	
8	7.777-999.0	Stockpiling discontinued	1	PC	



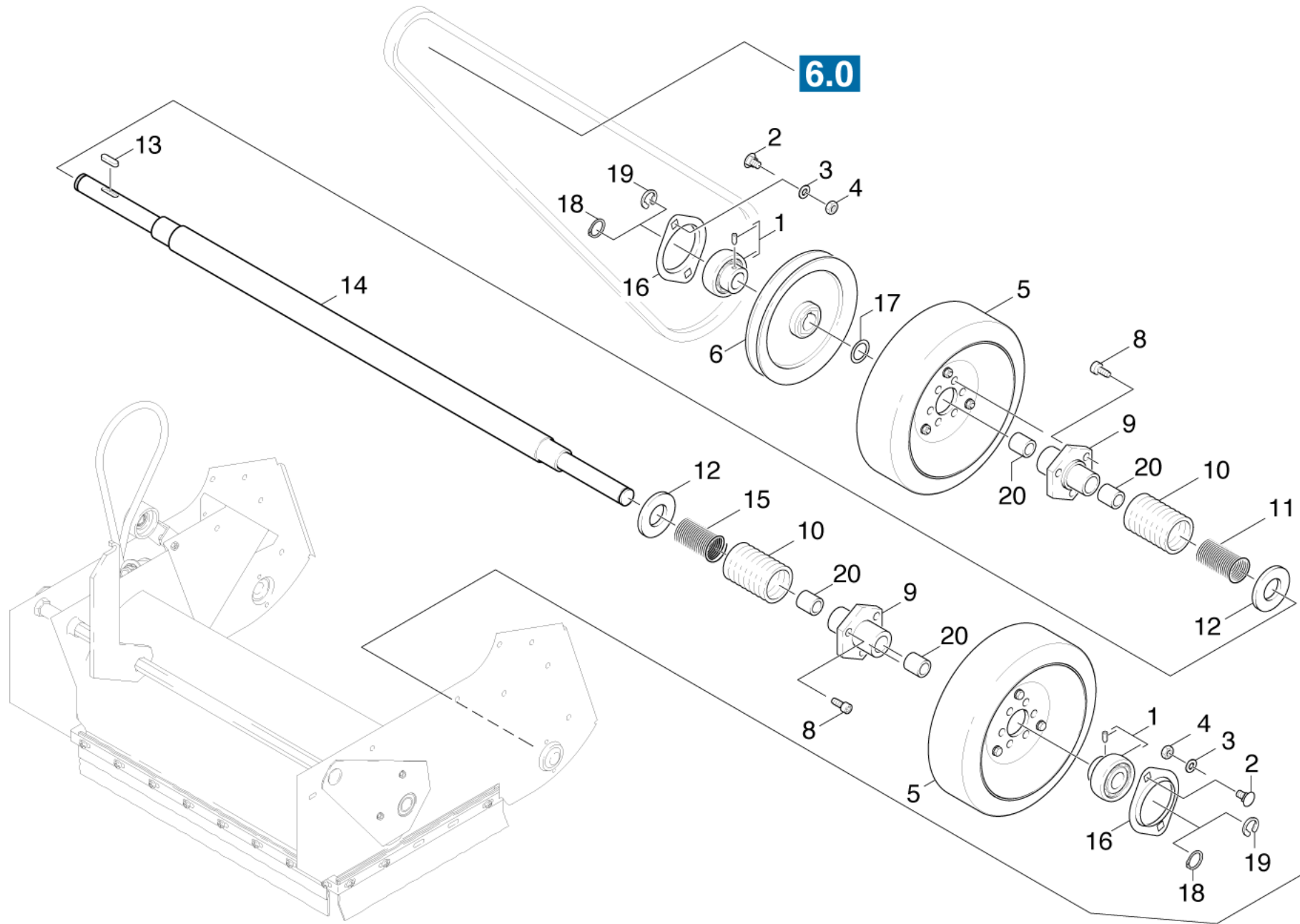
## 23 Cover

POS	Article no.	Description	Quantity	Unit
7	5.316-892.0	Bolt closure cover 750	1	PC
13	5.390-708.0	Character	2	PC
10	7.306-167.0	Cylinder head screw M 4x40-8.8-A2E DIN	1	PC
11	7.311-516.0	Hexagon nut M4-A2-70 DIN 985	1	PC
3	5.382-041.0	Label Batteriestecker	1	PC
12	5.380-486.0	Label character KSM 750	1	PC
5	6.343-216.0	Lock washer	1	PC
6	6.362-413.0	O-Ring seal 20,0 X 4,0-NBR 70	1	PC
8	6.303-155.0	Screw 5x16	2	PC
4	5.048-364.0	Sheet metal component fuse cover	1	PC
1	7.777-999.0	Stockpiling discontinued	1	PC
2	7.777-999.0	Stockpiling discontinued	2	PC
9	7.777-999.0	Stockpiling discontinued	1	PC



## 30 Shearing shackle

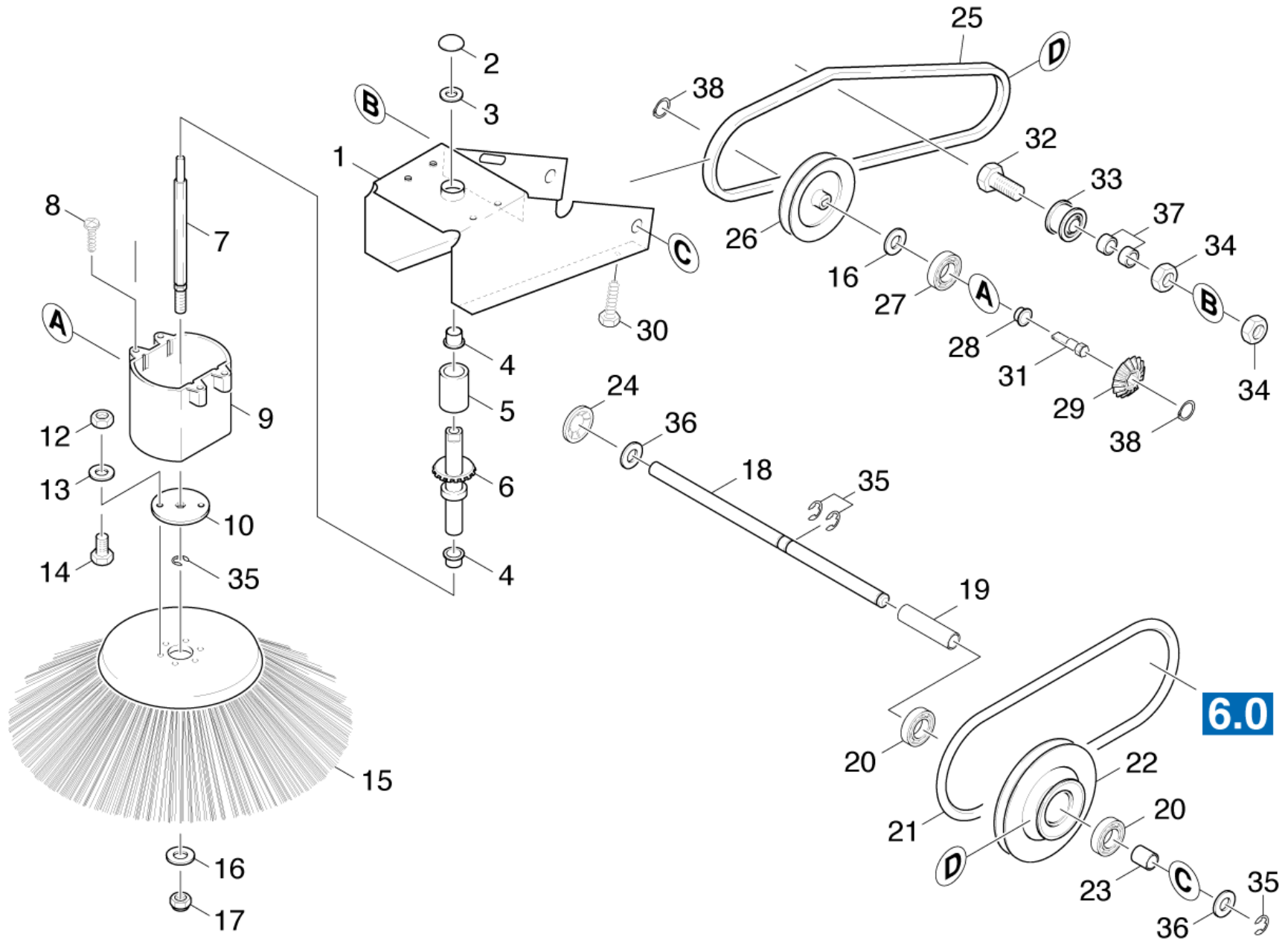
POS	Article no.	Description	Quantity	Unit	Remark	Foot note text
4	6.431-124.0	Bowden wire complete	1	PC		GREASE SPRAY FOR BOWDEN WIRE 400 ML TIN 6.288-107
6	6.431-198.0	Bowden wire complete bulk waste flap	1	PC		GREASE SPRAY FOR BOWDEN WIRE 400 ML TIN 6.288-107
18	6.431-123.0	Bowden wire complete side broom	1	PC		GREASE SPRAY FOR BOWDEN WIRE 400 ML TIN 6.288-107
10	6.641-465.0	Cable tape	1	PC	VERSION 1	
15	6.368-173.0	Drain plug	2	PC	VERSION 2	
3	6.437-467.0	Operating lever	2	PC		QUANTITY ACCORDING TO DEMAND
5	6.437-468.0	Operating lever	1	PC		
16	6.315-068.0	Rivet	4	PC	VERSION 2	
13	7.303-190.0	Saucer-head screw M6x35 -St-A0P DIN 603	2	PC	VERSION 2	
12	7.306-105.0	Screw M6x30 -8.8-R3R (In6Rd)	4	PC		
14	6.310-023.0	Star handle M 6	2	PC	VERSION 2	
1	7.777-999.0	Stockpiling discontinued	1	PC		
2	7.777-999.0	Stockpiling discontinued	3	PC		QUANTITY ACCORDING TO DEMAND
7	7.777-999.0	Stockpiling discontinued	2	PC		
8	7.777-999.0	Stockpiling discontinued	1	PC	VERSION 1	
11	5.029-341.0	Tube shearing shackle	2	PC	VERSION 2	
9	7.312-003.0	Washer 6 -200HV-A3E ISO 7089	4	PC		





## 40 Transmission

POS	Article no.	Description	Quantity	Unit	Foot note text
20	6.437-480.0	Bearing bush	4	PC	
6	5.625-277.0	Belt pulley	1	PC	
15	5.332-377.0	Helical spring left	1	PC	
11	5.332-378.0	Helical spring right	1	PC	
4	7.311-003.0	Hexagon nut M6 -8-A2E ISO 4032	4	PC	
16	6.401-271.0	Housing flanged bearing	2	PC	
19	7.343-047.0	Lock washer 10-FST-A2E DIN 6799	2	PC	PAY ATTENTION TO VERSION
18	7.343-306.0	Lock washer 12-St-A2E DIN 6799	2	PC	PAY ATTENTION TO VERSION
13	7.318-003.0	Parallel key A 5x5x18-C45K DIN 6885-1	1	PC	
10	5.442-880.0	Piece of tube	2	PC	
1	6.401-270.0	Radial ball insert bearing	2	PC	
2	7.303-046.0	Screw M6x12 -St-R3R (In6Rd)	4	PC	
8	6.303-158.0	Self-tapping screw cylinder head M6x12	6	PC	
17	7.343-217.0	Shim ring 15x21x0,5-ST2K50 DIN 988	1	PC	
9	7.777-999.0	Stockpiling discontinued	2	PC	
14	7.777-999.0	Stockpiling discontinued	1	PC	
3	7.312-003.0	Washer 6 -200HV-A3E ISO 7089	4	PC	
12	7.312-013.0	Washer 20-A2 ISO 7089	2	PC	
5	6.435-268.0	Wheel sprag clutch D160 KSM 750	2	PC	



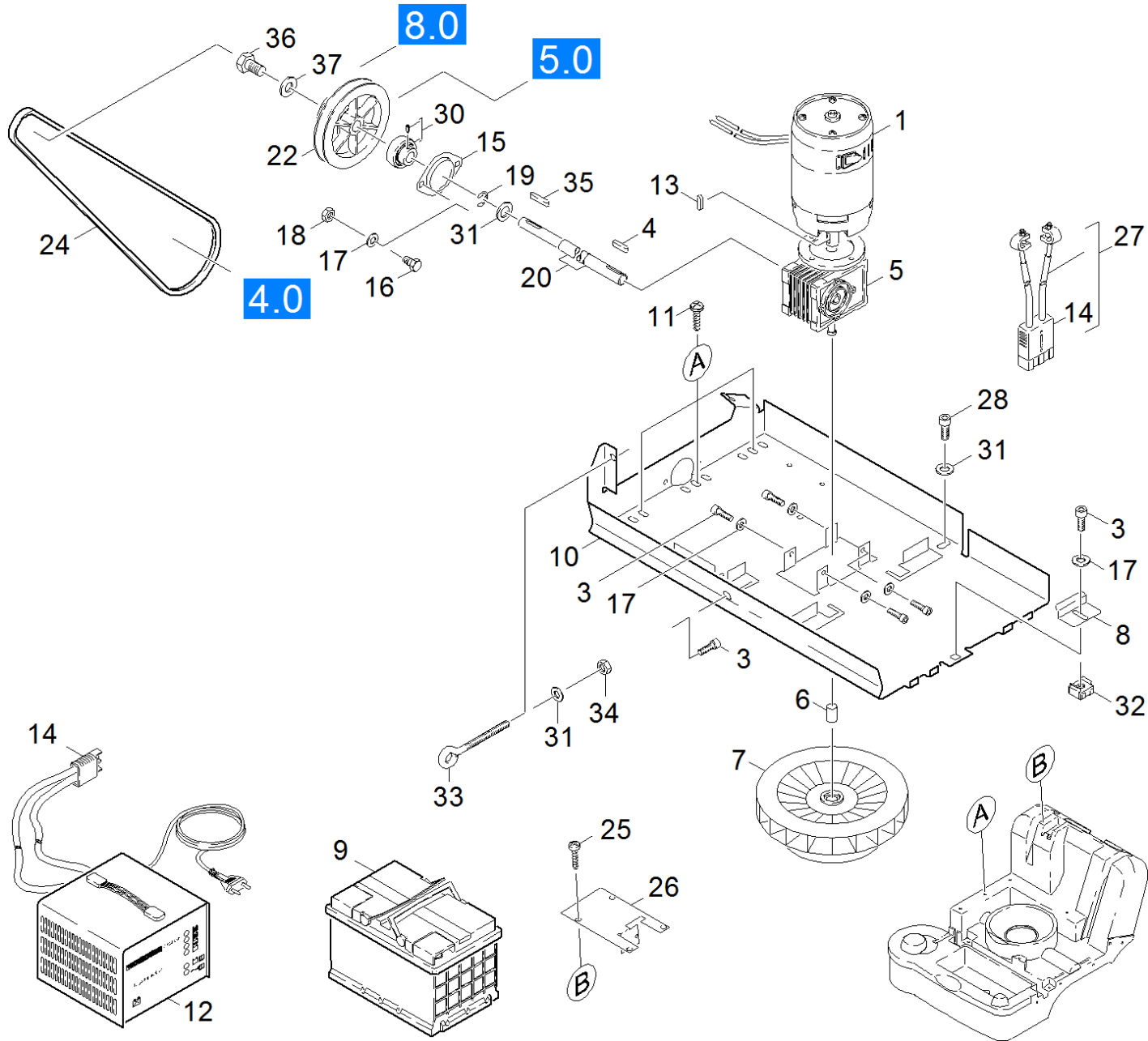
## 50 Transmission side broom

POS	Article no.	Description	Quantity	Unit	valid from	valid until
7	5.105-179.0	Axle side broom	1	PC		
20	6.401-363.0	Ball bearing	2	PC		
27	7.401-174.0	Ball bearing 688-2Z -Wälzl.St DIN 625	1	PC		
4	6.437-484.0	Bearing bush	2	PC		
28	6.437-485.0	Bearing bush	1	PC		
26	5.625-332.0	Belt pulley	1	PC		
22	5.625-274.0	Belt pulley side broom	1	PC		
32	7.306-049.0	Cylinder head screw M 8x45-8.8-A2E ISO	1	PC		
33	6.435-274.0	Deflection pulley	1	PC		
12	7.311-003.0	Hexagon nut M6 -8-A2E ISO 4032	2	PC		
34	7.311-004.0	Hexagon nut M8 -8-A3E ISO 4032	2	PC		
17	7.311-427.0	Hexagon nut M8-04-A2E DIN 985	1	PC		
6	5.100-109.0	Hollow shaft	1	PC		
9	5.060-553.0	Housing	1	PC		
38	7.343-014.0	Locking ring 8x0,8-FST-PHR DIN 471	2	PC		
2	6.343-129.0	Lock washer	1	PC		
35	7.343-205.0	Lock washer 9-St-A2E DIN 6799	4	PC		
29	5.352-060.0	Pinion	1	PC		
24	6.343-180.0	Quick-fastener Starlock	1	PC		
21	6.348-346.0	Round belt -SL=830	1	PC		
8	6.303-155.0	Screw 5x16	4	PC		
14	7.306-090.0	Screw M6x16 -8.8-P2R (In6Rd)	2	PC		
31	5.100-186.0	Shaft	1	PC		
30	7.303-326.0	Sheet metal screw ST3,5x9,5 -St-flZn/nc4	1	PC		
15	6.951-073.0	Side broom	1	PC		
5	5.110-591.0	Sleeve	1	PC		
23	5.110-580.0	Sleeve	1	PC		
37	6.347-094.0	Spacer sleeve	2	PC		
1	7.777-999.0	Stockpiling discontinued	1	PC		16900
1	7.777-999.0	Stockpiling discontinued	1	PC	16901	
18	7.777-999.0	Stockpiling discontinued	1	PC		
19	7.777-999.0	Stockpiling discontinued	1	PC		
25	6.348-324.0	V-Belt 10 X 540 LI	1	PC	16901	

## 50 Transmission side broom

---

<b>POS</b>	<b>Article no.</b>	<b>Description</b>	<b>Quantity</b>	<b>Unit</b>	<b>valid from</b>	<b>valid until</b>
25	6.348-285.0	V-Belt X10	1	PC		16900
10	5.115-509.0	Washer	1	PC		
13	7.312-003.0	Washer 6 -200HV-A3E ISO 7089	2	PC		
3	7.312-292.0	Washer 6 -A2 ISO 7093-1	1	PC		
16	7.312-004.0	Washer 8 -200HV-A3E ISO 7089	2	PC		
36	7.312-008.0	Washer 12-200HV-A2K ISO 7089	1	PC		



## 60 Motor

POS	Article no.	Description	Quantity	Unit	valid from	valid until	Remark
12	6.654-076.0	Battery charger maintenance free 12V	1	PC			
22	5.625-455.0	Belt pulley	1	PC			
27	6.647-723.0	Cable with plug KSM 750 BAT	1	PC		11895	
32	6.310-020.0	Cage nut M 6	1	PC			
28	7.306-041.0	Cylinder head screw M8x20 -8.8-A2E ISO	1	PC			
9	6.654-018.0	Drive battery 60AH-5H-12V	1	PC			1.049-101.0
9	6.654-021.0	Drive battery WF	1	PC			1.049-111.0
18	7.311-003.0	Hexagon nut M6 -8-A2E ISO 4032	2	PC			
34	7.311-427.0	Hexagon nut M8-04-A2E DIN 985	1	PC			
8	5.046-367.0	Holder	1	PC			
15	6.401-271.0	Housing flanged bearing	2	PC			
19	7.343-306.0	Lock washer 12-St-A2E DIN 6799	1	PC			
13	7.318-058.0	Parallel key 4x4x20-1.4301 DIN 6885	1	PC			
4	7.318-003.0	Parallel key A 5x5x18-C45K DIN 6885-1	1	PC			
35	7.318-079.0	Parallel key A 5x5x25-C45K DIN 6885	1	PC			
14	6.646-345.0	Plug two-pole grey 50A--SB50	2	PC			
30	6.401-270.0	Radial ball insert bearing	1	PC			
25	6.303-155.0	Screw 5x16	4	PC			
11	6.303-174.0	Screw 6,0X20-ST-A2R	5	PC			
36	7.306-077.0	Screw M5x16 -8.8-R2R (In6Rd)	1	PC			
16	7.306-090.0	Screw M6x16 -8.8-P2R (In6Rd)	2	PC			
3	6.303-158.0	Self-tapping screw cylinder head M6x12	5	PC			
20	5.100-234.0	Shaft	1	PC			
1	7.777-999.0	Stockpiling discontinued	1	PC			
5	7.777-999.0	Stockpiling discontinued	1	PC			
6	7.777-999.0	Stockpiling discontinued	1	PC		11690	
6	7.777-999.0	Stockpiling discontinued	1	PC	11691		

60 Motor

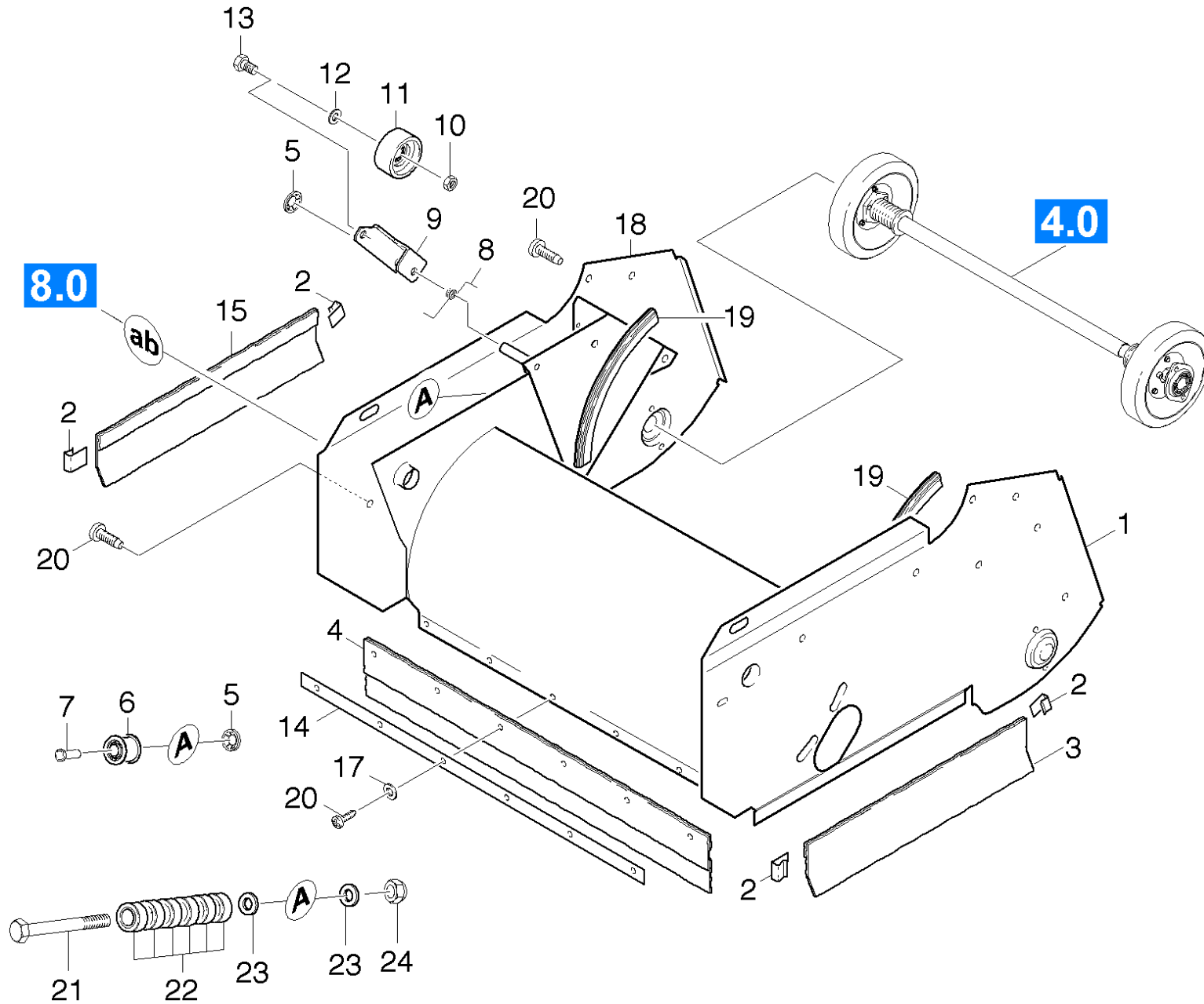
POS	Article no.	Description	Quantity	Unit	valid from	valid until	Remark
7	7.777-999.0	Stockpiling discontinued	1	PC			
10	7.777-999.0	Stockpiling discontinued	1	PC			
12	7.777-999.0	Stockpiling discontinued	1	PC			
26	7.777-999.0	Stockpiling discontinued	1	PC			
33	7.777-999.0	Stockpiling discontinued	1	PC			
24	6.348-313.0	V-Belt Z/10-LP=1142 VERST.	1	PC			
37	5.115-233.0	Washer	1	PC			
17	7.312-003.0	Washer 6 -200HV-A3E ISO 7089	7	PC			
31	7.312-004.0	Washer 8 -200HV-A3E ISO 7089	2	PC			

## 70 Sweep roller chest

---

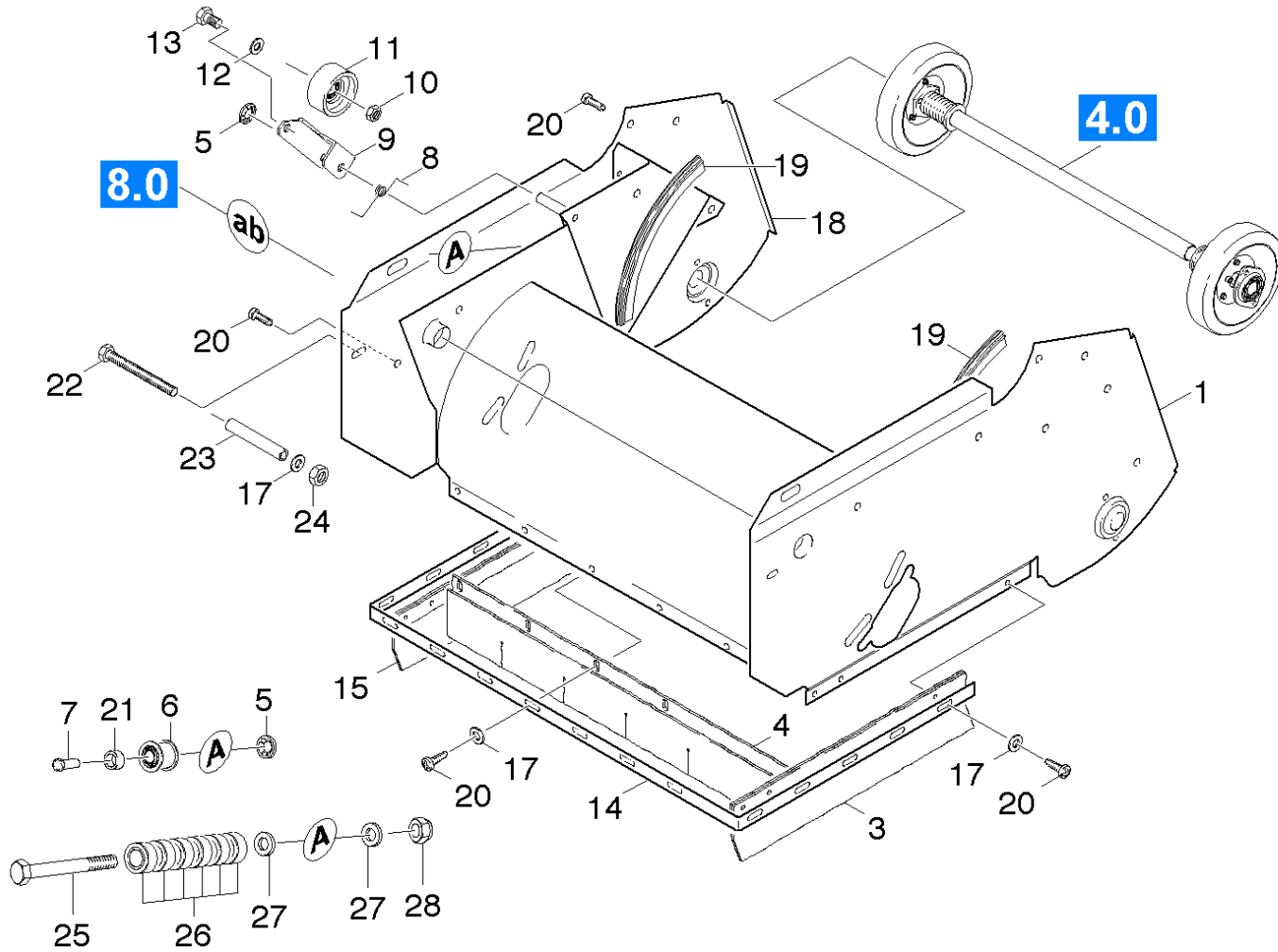
<b>POS</b>	<b>Description</b>	<b>Quantity</b>	<b>Unit</b>	<b>Remark</b>
71	Sweep roller chest	1	PC	VERSION 1
72	Sweep roller chest	1	PC	VERSION 2
73	Sweep roller chest	1	PC	VERSION 3





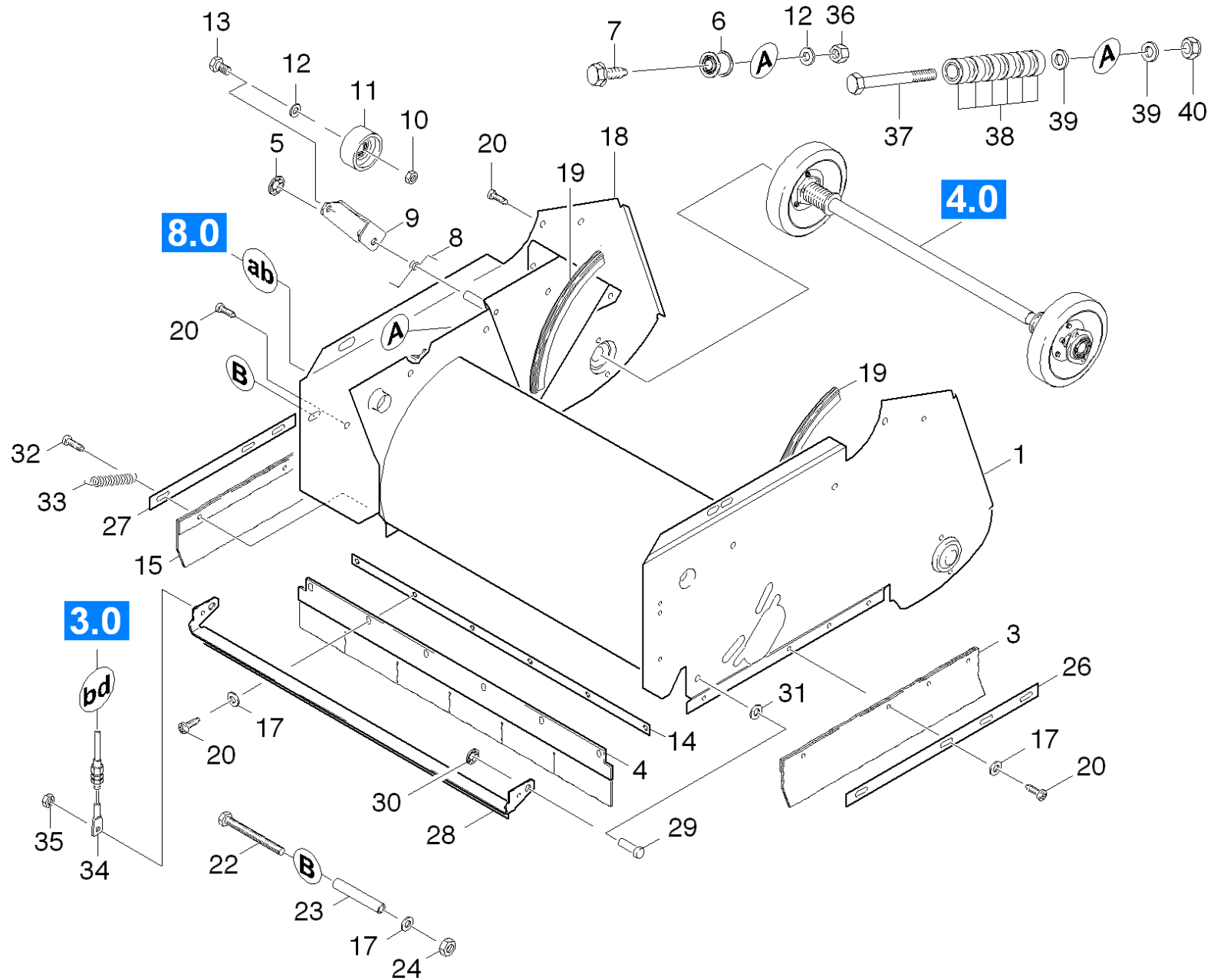
## 71 Sweep roller chest

POS	Article no.	Description	Quantity	Unit	valid from
22	7.401-043.0	Ball bearing 619/8-2RS -Wae.St. DIN 62	6	PC	10000
7	5.316-294.0	Bolt	1	PC	
6	6.435-274.0	Deflection pulley	1	PC	
13	7.304-399.0	Hexagonal head screw M 8x25-8.8-A2E ISO	1	PC	
21	7.304-262.0	Hexagonal head screw M8x60-A4-70 ISO 40	1	PC	10000
10	7.311-004.0	Hexagon nut M8 -8-A3E ISO 4032	1	PC	
24	7.311-027.0	Hexagon nut M 8-A4-70 ISO 7042	1	PC	10000
2	6.343-201.0	Quick-fastener	4	PC	
5	6.343-147.0	Quick-fastener	2	PC	
11	5.515-092.0	Roller	1	PC	
20	7.303-046.0	Screw M6x12 -St-R3R (In6Rd)	12	PC	
19	5.364-192.0	Seal	2	PC	
4	6.365-454.0	Sealing lip center	1	PC	
3	6.365-399.0	Sealing lip left	1	PC	
15	6.365-400.0	Sealing lip right	1	PC	
8	5.332-400.0	Spiral spring belt stretcher	1	PC	
1	7.777-999.0	Stockpiling discontinued	1	PC	
9	7.777-999.0	Stockpiling discontinued	1	PC	
14	7.777-999.0	Stockpiling discontinued	1	PC	
18	7.777-999.0	Stockpiling discontinued	1	PC	
17	7.312-003.0	Washer 6 -200HV-A3E ISO 7089	6	PC	
12	7.312-004.0	Washer 8 -200HV-A3E ISO 7089	1	PC	
23	7.312-017.0	Washer 8-A2 ISO 7089	1	PC	10000



## 72 Sweep roller chest

POS	Article no.	Description	Quantity	Unit	valid from
26	7.401-043.0	Ball bearing 619/8-2RS -Wae.St. DIN 62	6	PC	10000
7	5.316-294.0	Bolt	1	PC	
6	6.435-274.0	Deflection pulley	1	PC	
13	7.304-399.0	Hexagonal head screw M 8x25-8.8-A2E ISO	1	PC	
25	7.304-262.0	Hexagonal head screw M8x60-A4-70 ISO 40	1	PC	10000
24	7.311-003.0	Hexagon nut M6 -8-A2E ISO 4032	1	PC	
10	7.311-004.0	Hexagon nut M8 -8-A3E ISO 4032	1	PC	
28	7.311-027.0	Hexagon nut M 8-A4-70 ISO 7042	1	PC	10000
5	6.343-147.0	Quick-fastener	2	PC	
11	5.515-092.0	Roller	1	PC	
20	7.303-046.0	Screw M6x12 -St-R3R (In6Rd)	13	PC	
22	7.306-138.0	Screw M6x60 -8.8-R3R (In6Rd)	1	PC	
19	5.364-192.0	Seal	2	PC	
4	6.365-454.0	Sealing lip center	1	PC	
3	6.365-411.0	Sealing lip left	1	PC	
15	6.365-412.0	Sealing lip right	1	PC	
21	6.347-094.0	Spacer sleeve	1	PC	
8	5.332-400.0	Spiral spring belt stretcher	1	PC	
1	7.777-999.0	Stockpiling discontinued	1	PC	
9	7.777-999.0	Stockpiling discontinued	1	PC	
14	7.777-999.0	Stockpiling discontinued	1	PC	
18	7.777-999.0	Stockpiling discontinued	1	PC	
23	7.777-999.0	Stockpiling discontinued	1	PC	
17	7.312-003.0	Washer 6 -200HV-A3E ISO 7089	14	PC	
12	7.312-004.0	Washer 8 -200HV-A3E ISO 7089	1	PC	
27	7.312-017.0	Washer 8-A2 ISO 7089	1	PC	10000



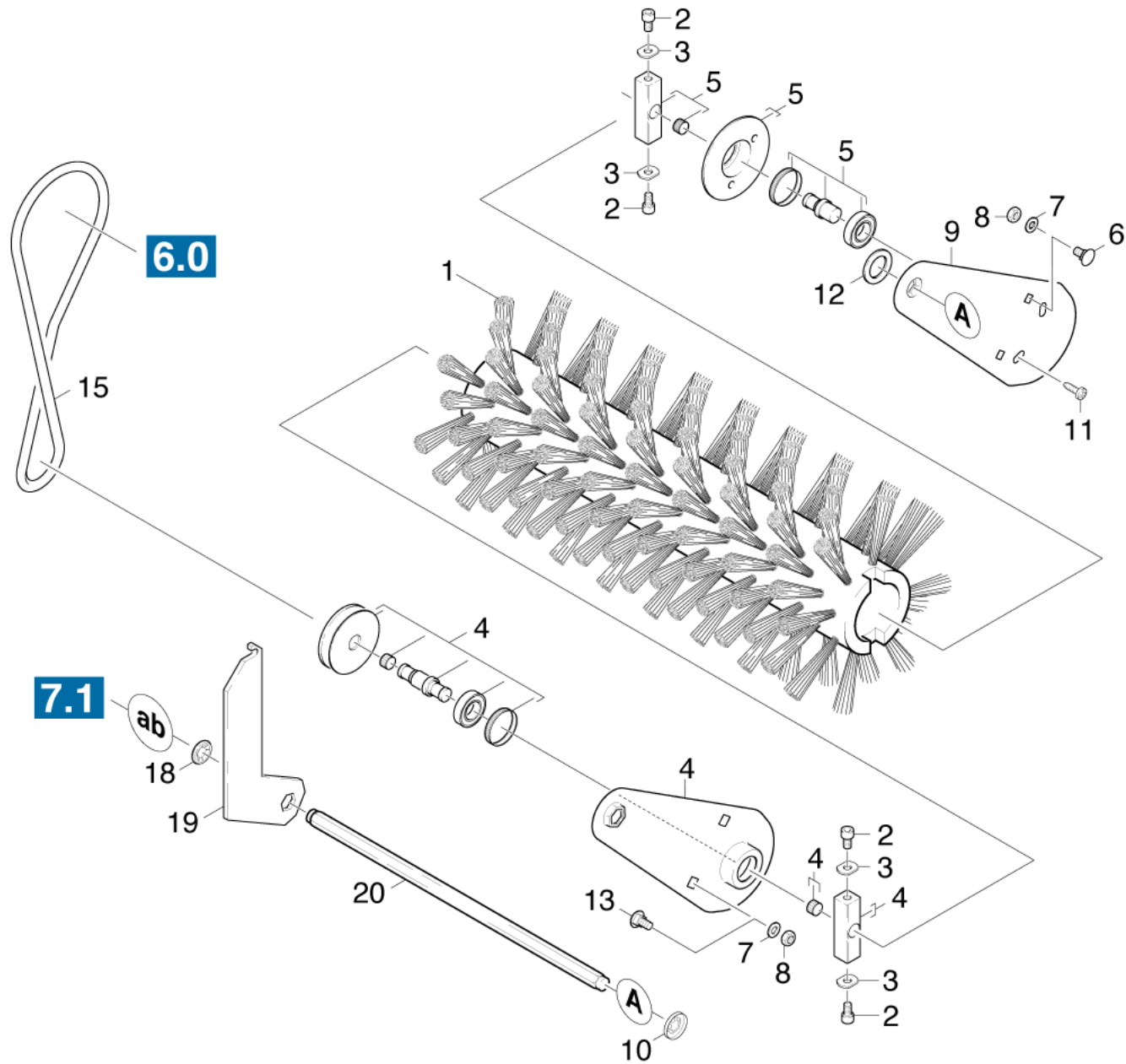
## 73 Sweep roller chest

POS	Article no.	Description	Quantity	Unit	valid from
38	7.401-043.0	Ball bearing 619/8-2RS -Wae.St. DIN 62	6	PC	10000
29	7.316-214.0	Bolt B 10x14 St-A2E ISO 2341	1	PC	
34	6.431-198.0	Bowden wire complete bulk waste flap	1	PC	
7	7.306-221.0	Cylinder head screw M 8x25 A2-70 DIN 7984	1	PC	
6	6.435-274.0	Deflection pulley	1	PC	
33	6.330-056.0	Extension spring	1	PC	
13	7.304-399.0	Hexagonal head screw M 8x25-8.8-A2E ISO	1	PC	
37	7.304-262.0	Hexagonal head screw M8x60-A4-70 ISO 40	1	PC	10000
35	7.311-431.0	Hexagon nut M5-1.4305 DIN 985	1	PC	
24	7.311-003.0	Hexagon nut M6 -8-A2E ISO 4032	1	PC	
10	7.311-004.0	Hexagon nut M8 -8-A3E ISO 4032	1	PC	
36	7.311-427.0	Hexagon nut M8-04-A2E DIN 985	1	PC	
40	7.311-027.0	Hexagon nut M 8-A4-70 ISO 7042	1	PC	10000
5	6.343-147.0	Quick-fastener	1	PC	
30	6.343-149.0	Quick-fastener	1	PC	
11	5.515-092.0	Roller	1	PC	
20	7.303-046.0	Screw M6x12 -St-R3R (In6Rd)	13	PC	
22	7.306-138.0	Screw M6x60 -8.8-R3R (In6Rd)	1	PC	
19	5.364-192.0	Seal	2	PC	
4	6.365-454.0	Sealing lip center	1	PC	
3	6.365-411.0	Sealing lip left	1	PC	
15	6.365-412.0	Sealing lip right	1	PC	
32	6.303-515.0	Self-tapping screw M6x25	1	PC	
8	5.332-400.0	Spiral spring belt stretcher	1	PC	
1	7.777-999.0	Stockpiling discontinued	1	PC	
9	7.777-999.0	Stockpiling discontinued	1	PC	
18	7.777-999.0	Stockpiling discontinued	1	PC	
23	7.777-999.0	Stockpiling discontinued	1	PC	
28	7.777-999.0	Stockpiling discontinued	1	PC	
14	5.190-136.0	Strip front	1	PC	
26	5.190-134.0	Strip left	1	PC	
27	5.190-135.0	Strip right	1	PC	
17	7.312-003.0	Washer 6 -200HV-A3E ISO 7089	14	PC	

## 73 Sweep roller chest

---

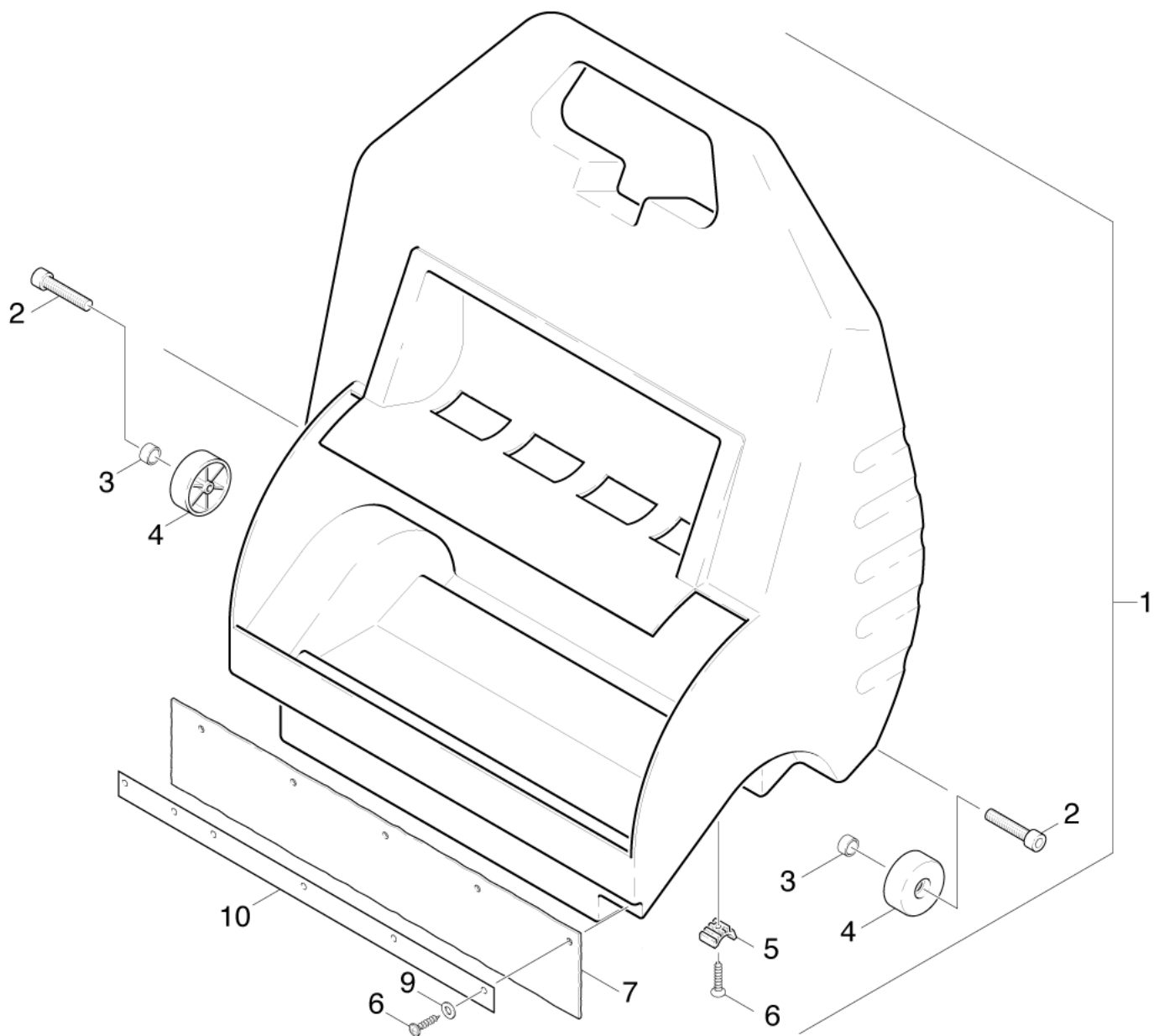
<b>POS</b>	<b>Article no.</b>	<b>Description</b>	<b>Quantity</b>	<b>Unit</b>	<b>valid from</b>
12	7.312-004.0	Washer 8 -200HV-A3E ISO 7089	2	PC	
39	7.312-017.0	Washer 8-A2 ISO 7089	8	PC	10000
31	7.312-074.0	Washer 10 -CuZn ISO 7092	1	PC	





## 80 Reversing rolling mill

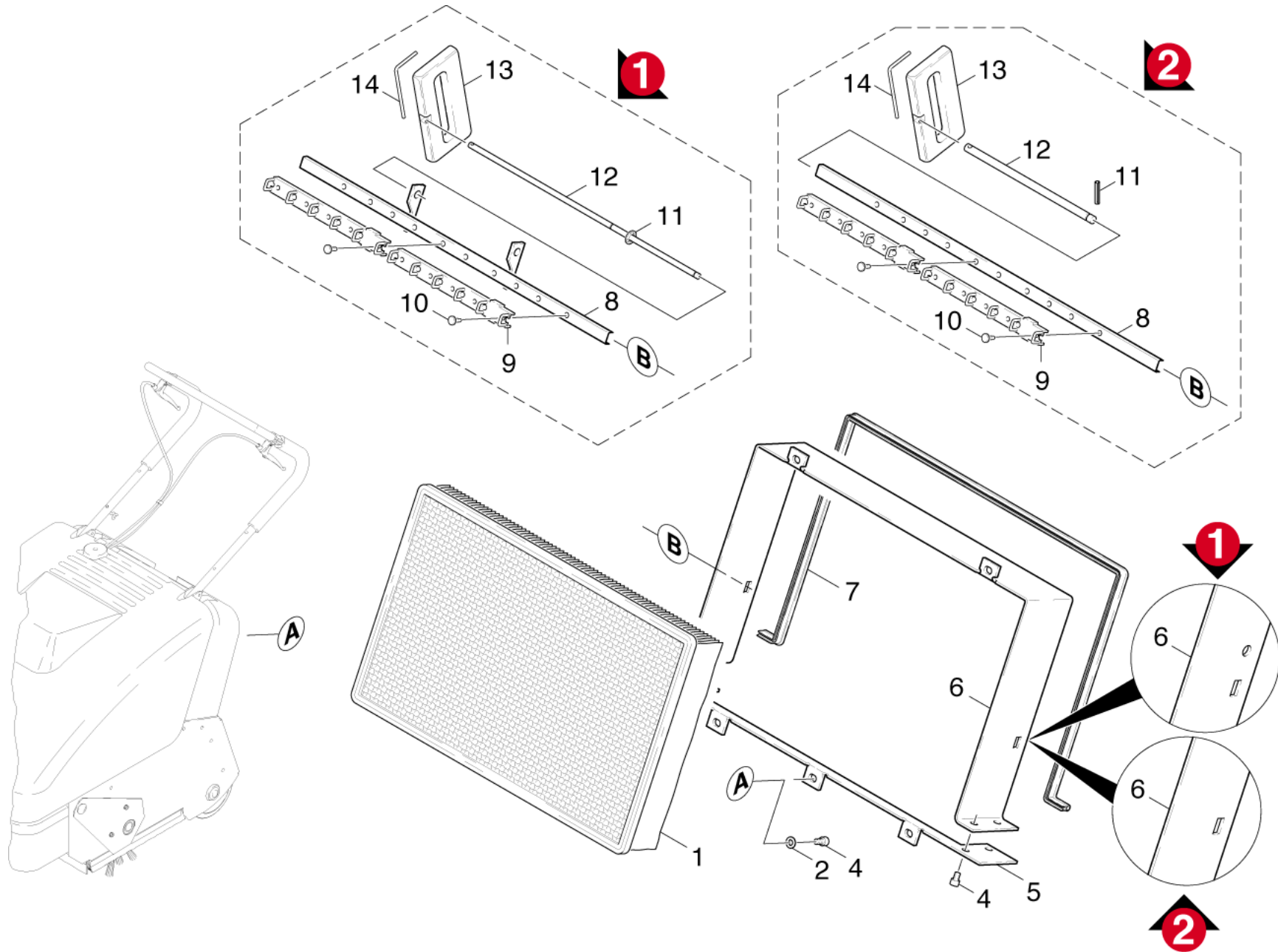
POS	Article no.	Description	Quantity	Unit
2	7.306-041.0	Cylinder head screw M8x20 -8.8-A2E ISO	4	PC
8	7.311-427.0	Hexagon nut M8-04-A2E DIN 985	4	PC
10	6.343-175.0	Quick-fastener	1	PC
18	6.343-202.0	Quick-fastener	1	PC
1	6.905-868.0	Reversing rolling mill hard -550 BREIT	1	PC
1	6.905-587.0	Reversing rolling mill middle	1	PC
1	6.905-870.0	Reversing rolling mill soft nature 550mm	1	PC
15	6.348-283.0	Round belt D10	1	PC
13	7.303-193.0	Saucer-head screw M8x16 -4.6-A0P DIN 603	2	PC
6	7.303-204.0	Saucer-head screw M8x20 -4.8-ZNBHL DIN 603	2	PC
11	7.303-068.0	Screw M8x20 -St-R3R (In6Rd)	2	PC
3	5.047-121.0	Sheet metal component retainer reversing	4	PC
4	7.777-999.0	Stockpiling discontinued	1	PC
5	7.777-999.0	Stockpiling discontinued	1	PC
9	7.777-999.0	Stockpiling discontinued	1	PC
19	7.777-999.0	Stockpiling discontinued	1	PC
20	7.777-999.0	Stockpiling discontinued	1	PC
12	6.312-069.0	Washer	1	PC
7	7.312-277.0	Washer 8-200HV-A2E ISO 7093-1	4	PC



## 90 Sweep tank

---

POS	Article no.	Description	Quantity	Unit
6	6.303-057.0	Countersunk screw 5,0X 16-ST-A2R	9	PC
2	7.306-268.0	Screw M6x70 -8.8-R3R (In6Rd)	2	PC
7	6.365-395.0	Sealing lip rear	1	PC
5	5.031-157.0	Slide part sweep tank	3	PC
1	7.777-999.0	Stockpiling discontinued	1	PC
3	7.777-999.0	Stockpiling discontinued	2	PC
10	7.777-999.0	Stockpiling discontinued	1	PC
9	7.312-291.0	Washer 6-200HV-P2R ISO 7093-1	6	PC
4	5.515-068.0	Wheel	2	PC



100 Vibrator

POS	Article no.	Description	Quantity	Unit	Remark
12	5.107-199.0	Bar	1	PC	VERSION 2
12	5.107-162.0	Bar vibrator	1	PC	VERSION 1
11	7.316-342.0	Cotter 3,2x20 -St-A2E ISO 1234	1	PC	VERSION 2
1	5.731-585.0	FILTER (WASHABLE)	1	PC	
13	5.322-022.0	Handhold filter remove	1	PC	
14	5.037-061.0	Hook	1	PC	
11	7.343-302.0	Lock washer 8 -St-ph DIN 6799	2	PC	VERSION 1
10	6.315-068.0	Rivet	10	PC	
7	5.364-170.0	Seal	1	PC	
4	6.303-158.0	Self-tapping screw cylinder head M6x12	9	PC	
5	7.777-999.0	Stockpiling discontinued	1	PC	
6	7.777-999.0	Stockpiling discontinued	1	PC	VERSION 1
6	7.777-999.0	Stockpiling discontinued	1	PC	VERSION 2
8	7.777-999.0	Stockpiling discontinued	1	PC	VERSION 2
8	7.777-999.0	Stockpiling discontinued	1	PC	VERSION 1
9	5.030-900.0	Stripper	2	PC	
2	7.312-003.0	Washer 6 -200HV-A3E ISO 7089	5	PC	