

Spare parts list

(1.890-401.0) HDS 500 CI *EU

DE HINWEISE

Weitere Sprachen:

Diese Ersatzteilliste ist in weiteren Sprachen erhältlich. Sie erhalten diese unter www.kaercher.com im Bereich Service.

Die Schreibweise der Teilenummer, z.B. 75456380, entspricht der Teilenummer 7.545-638.0.

Mengenangaben:

Die Mengenangaben in der Ersatzteilliste entsprechen den in der Baugruppe verbauten Stückzahlen der Bauteile.

Meterware:

Ersatzteile welche als Meterware geliefert werden sind auf Einbaulänge selbst zu kürzen. Die Stückzahlen sind als Mindestbestellmenge =1m angegeben und müssen je nach Bedarf auf weitere volle Meterzahlen erhöht werden.

Versionen/ Werknummern:

Sind Versionen oder Werknummern in der Ersatzteilliste angegeben, ist anhand dieser vor Bestellung zu prüfen, welches Bauteil für ihr Gerät verwendet werden muss.

Lackierte Teile:

Bei Bestellungen von lackierten Teilen welche in der Ersatzteilliste nicht in verschiedenen Farben ausgewiesen sind, ist zusätzlich die Farbnummer oder Farbe mit anzugeben.

Technische Änderungen:

Technische Änderungen sowie das Recht der ausschließlichen Auswertung unseres geistigen Eigentums behalten wir uns vor.

EN INSTRUCTIONS

Other languages:

This list of spare parts is also available in other languages. You can get this list from www.kaercher.com in the Service division.

The designation of the part number e.g. 75456380 is equal to 7.545-638.0.

Quantity details:

The quantity details in the spare parts list correspond to the number of pieces of the component installed in the assembly group.

Piece goods:

Spare parts that are sold as piece goods are to be cut to the desired length. The quantities have been indicated as minimum order quantity =1m and must be rounded off to the full meter figure depending on your requirements.

Version/ Plant numbers:

If version or plant numbers are mentioned in the spare parts list, then use the same to check before ordering which spare part needs to be used for your appliance.

Painted parts:

While ordering painted parts that are not mentioned in the spare parts list in their colour variations, please mention the colour number or the colour you require.

Technical changes:

We reserve the right to make technical changes as well as the right to exclusive use of our intellectual property.

FR REMARQUES

Autres langues:

Cette liste de pièces de rechange est disponible en autres langues. Cela est disponible sous www.kaercher.com dans le menu Service.

La désignation du numéro de pièce, par ex. 75456380, correspond au numéro de pièce 7.545-638.0.

Indications de quantité:

Les indications de quantité dans la liste de pièces de rechange correspondre aux nombres de pièces des composant utilisées dans la construction.

Matériel au mètre:

Les pièces de rechange qui sont livrées au mètre doivent être raccourcies à longueur souhaitée par l'acheteur même. Les nombres des pièces sont indiquées en quantité de commande minimale = 1m et doivent être augmentés selon le besoin à une chiffre de mètre complète.

Versions/ Numéros d'usine:

Lorsqu'il sont indiquées des versions ou des numéros d'usine dans la liste de pièces de rechange, vous devez vérifier que composant doit être utilisé pour votre appareil.

Pièces laquées:

Pour commander des pièces laquées, où les différentes couleurs ne sont pas indiquées dans la liste des pièces de rechange, vous devez indiquer en plus le numéro de la couleur ou seulement la couleur.

Modifications techniques:

Nous nous réservons la possibilité des modifications techniques ainsi le droit d'exploitation exclusive de notre propriété intellectuelle.

IT AVVERTENZE

Altre lingue:

Il presente elenco di parti di ricambio è disponibile sul nostro sito Web anche in altre lingue: sotto www.kaercher.com alla voce "Service".

L'indicazione del codice pezzo, ad es. 75456380, corrisponde al codice pezzo 7.545-638.0

Indicazioni di quantità:

Le indicazioni di quantità riportate dall'elenco "parti di ricambio" corrispondono al numero delle singole componenti contenute nella rispettiva unità.

Merce a metro:

Le parti di ricambio fornite come "merce a metro" devono venire in seguito accorciate alla lunghezza necessaria per il montaggio. La quantità unitaria è indicata come "quantità minima di ordinazione = 1m" e deve all'occorrenza venire moltiplicata per il numero intero di metri necessari.

Versioni / Numeri di fabbricazione:

Quando l'elenco "parti di ricambio" riporta diverse versioni o numeri di fabbricazione, confrontare la versione o il numero di fabbricazione del ricambio desiderato con quelle/i presenti nell'elenco e indicarla/o al momento dell'ordinazione.

Parti di ricambio verniciate:

Nel caso di ricambi verniciati, se l'elenco parti di ricambio non ne riporta espressamente i diversi colori, al momento dell'ordinazione è necessario indicare anche il colore o il numero del colore desiderato.

Modifiche tecniche:

Ci riserviamo il diritto di apportare modifiche tecniche così come il diritto di utilizzo esclusivo della nostra proprietà intellettuale.

ES INDICACIONES

Otros idiomas:

La lista de piezas de repuesto se puede adquirir en otros idiomas. La puede adquirir en www.kaercher.com en el área de servicios.

La notación de los números de las piezas, p.ej. 75456380 corresponde al número de pieza 7.545-638.0.

Cantidades:

Las indicaciones de cantidades de la lista de piezas de repuesto corresponden al número de piezas montadas en el componente.

Mercancía por metros:

Las piezas de repuesto que se suministran por metros se pueden cortar al largo deseado. La unidad mínima de pedido es de = 1 m y el número de metros completos se puede aumentar según necesidad.

Versiones/números de fábrica:

Si se indica la versión o número de fábrica en la lista de piezas de repuesto, se debe comprobar en ella la pieza a usar para su aparato antes de realizar el pedido.

Piezas lacadas:

Al realizar pedidos de piezas lacadas que no estén indicadas en los diferentes colores en la lista de piezas de repuesto, se debe indicar también la referencia del color o el color.

Modificaciones técnicas:

Reservados los derechos de realizar modificaciones técnicas y aprovechar nuestra propiedad intelectual.

PL WSKAZÓWKI

Pozostałe języki:

Ta lista części zamiennych jest dostępna w także w innych językach. Mogą ją Państwo pobrać ze strony www.kaercher.com w dziale Serwis.

Sposób zapisywania numeru części, np. 75456380, odpowiada numerowi części 7.545-638.0.

Dane ilości:

Dane ilości podane w liście części zamiennych odpowiadają liczbie sztuk podzespołów tworzących dany moduł.

Towar sprzedawany na metry:

Części zamienne dostarczane jako towar sprzedawany na metry po zamontowaniu należy samodzielnie skrócić do potrzebnej długości. Liczba sztuk podana jest jako minimalna ilość zamówienia =1m i w zależności od potrzeb zwiększa się ją o kolejne pełne metry.

Wersje/ Numer zakładu:

Jeżeli w liście części zamiennych podane są wersje lub numery zakładu, przed zamówieniem na ich podstawie należy sprawdzić, który podzespół stosuje się w Państwa urządzeniu.

Części lakierowane:

W przypadku zamówień części lakierowanych, które w liście części zamiennych nie podano w wielu kolorach, należy dodatkowo zaznaczyć nr koloru lub kolor.

Zmiany techniczne:

Zastrzegamy sobie prawo do zmian technicznych oraz wyłącznego wykorzystywania naszej własności intelektualnej.

RU УКАЗАНИЯ:

Другие языки:

Данный список запасных частей также доступен на других языках. Вы найдете его на сайте www.kaercher.com в разделе Service
Маркировка номера детали, например, 75456380, соответствует номеру детали 7.545-638.0.

Указание количества:

Количественные данные в списке запасных частей соответствуют числу компонентов, входящих в состав узлов.

Товар, продаваемый на метры:

Запасные части, продающиеся на метры, необходимо обрезать до нужной длины. Число изделий указано в виде минимального объема заказа = 1м и их количество можно округлить до требуемого по мере необходимости.

Варианты исполнения/заводские номера:

Если варианты исполнения или заводские номера указаны в списке запасных частей, то перед заказом необходимо проверить, какая деталь подходит для вашего устройства.

Лакированные детали:

При заказе лакированных деталей, варианты расцветки которых не указаны в списке запасных частей, необходимо дополнительно указать номер цвета или необходимый для вас цвет.

Технические изменения:

Мы оставляем за собой право на технические изменения, а также право на исключительное использование нашей интеллектуальной собственности.

Table of contents

Order instructions	2
HDS 500 CI *EU (1.890-401.0)	7
Spare parts list HDS 500 CI *EUR (5.955-563.0)	8
10 Individual parts	9
11 Cover	10
12 Tank	12
13 Frame	14
20 Pump set	16
21 Piston	17
22 Cylinder head	19
23 Valves	21
30 Motor	23
31 Transmission	24
32 Individual parts	26
40 Blower	28
50 Fuel pump	30
51 Fuel pump	31
52 Fuel pump	33
60 Electric control box	35
61 Control panel	36
62 Mounting plate	38
70 Flow heater	40
71 Burner cover	41
11 Conversion kit ignition electrode (2.638-974.0)	43
72 Heating coil	46
73 Burner bottom	48
2 Bottom pressure boiler (4.655-044.0)	50
80 Safety system	52
90 Accessories	54
91 Hand trigger gun	55
100 Spare part set (2.883-191.0)	57
92 Hand trigger gun	58
100 Spare part set 1450HW,1500HWS+SUPE (2.883-192.0)	60
93 Hand trigger gun	61
94 Hand trigger gun	63
5 Lever complete (4.481-209.0)	65
95 Jet pipe	67
1 Jet pipe packaged only for replacement (4.760-660.0)	69

Table of contents

96 Jet pipe	71
1 Jet pipe packaged only for replacement (4.760-660.0)	73
97 Jet pipe	75
98 Nozzle	77
110 Pressure switch	79

HDS 500 CI *EU (1.890-401.0)

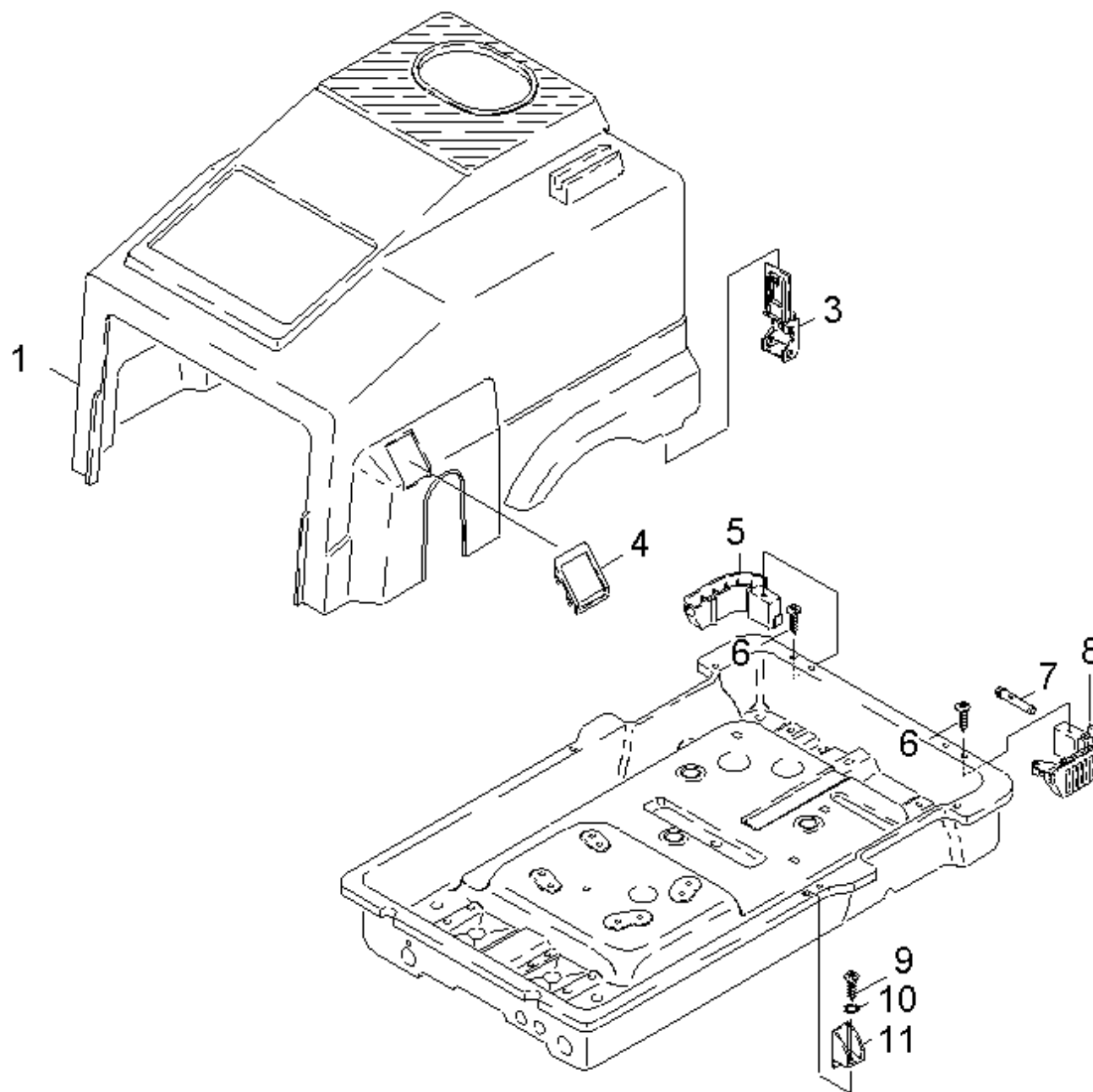
POS	Article no.	Description	Quantity	Unit
0	5.955-563.0	Spare parts list HDS 500 CI *EUR	1.000	ST
	Item text2: 18904010			

Spare parts list HDS 500 CI *EUR (5.955-563.0)

POS	Description	Quantity	Unit
10	Individual parts	1.000	ST
20	Pump set	1.000	ST
30	Motor	1.000	ST
40	Blower	1.000	ST
50	Fuel pump	1.000	ST
60	Electric control box	1.000	ST
70	Flow heater	1.000	ST
80	Safety system	1.000	ST
90	Accessories	1.000	ST
110	Pressure switch	1.000	ST

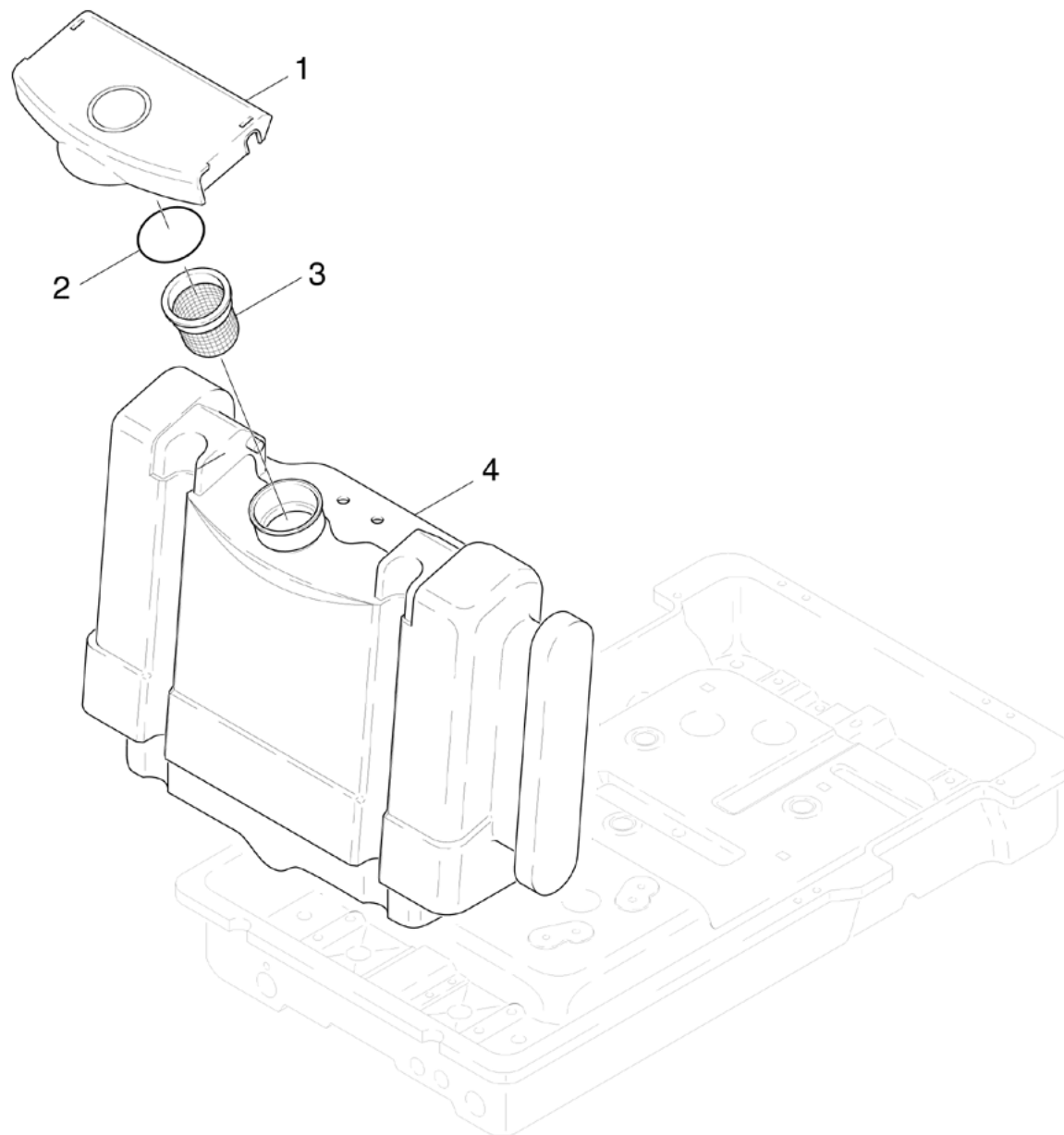
10 Individual parts

POS	Description	Quantity	Unit
11	Cover	1.000	ST
12	Tank	1.000	ST
13	Frame	1.000	ST



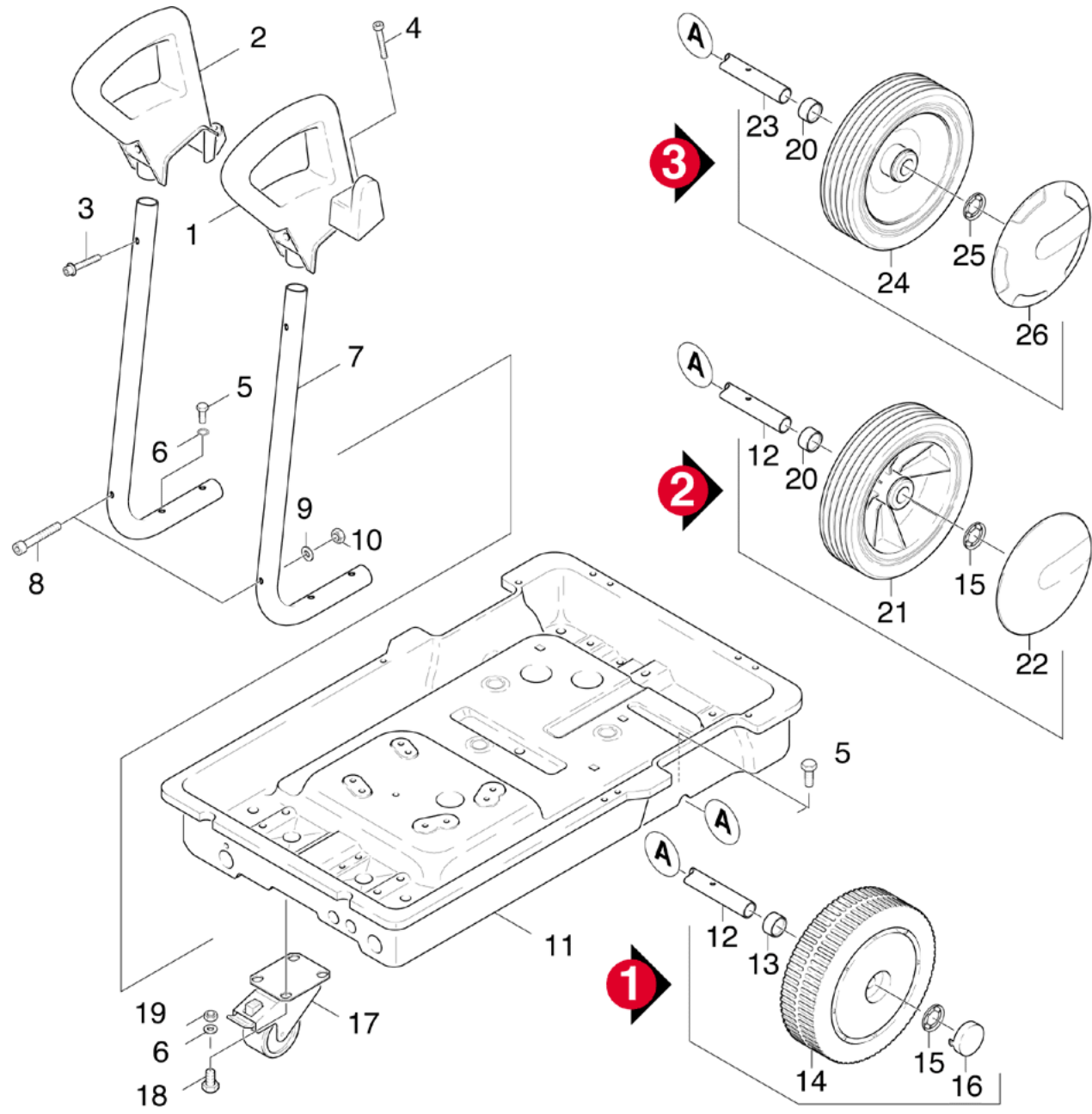
11 Cover

POS	Article no.	Description	Quantity	Unit
1	5.066-679.0	Cover	1.000	ST
3	5.042-462.0	Holder	2.000	ST
4	2.883-167.0	Spare part set	1.000	ST
5	5.321-280.0	Handhold left	1.000	ST
6	7.303-078.0	Sheet metal screw ST4,8X19-ST-A2R (KOMBI	2.000	ST
7	5.316-240.0	Bolt	2.000	ST
8	5.321-278.0	Handhold right	1.000	ST
9	7.303-076.0	Sheet metal screw ST4,8X13 -St-R2R (In6	2.000	ST
10	7.312-278.0	Washer 5-200HV-A2E ISO7093-1	2.000	ST
11	5.042-561.0	Holder	2.000	ST



12 Tank

POS	Article no.	Description	Quantity	Unit
1	5.063-565.0	Cover fuel	1.000	ST
2	5.363-290.0	Joint ring	1.000	ST
3	5.731-039.0	Filter	1.000	ST
4	5.071-182.0	Tank fuel lacquered	1.000	ST

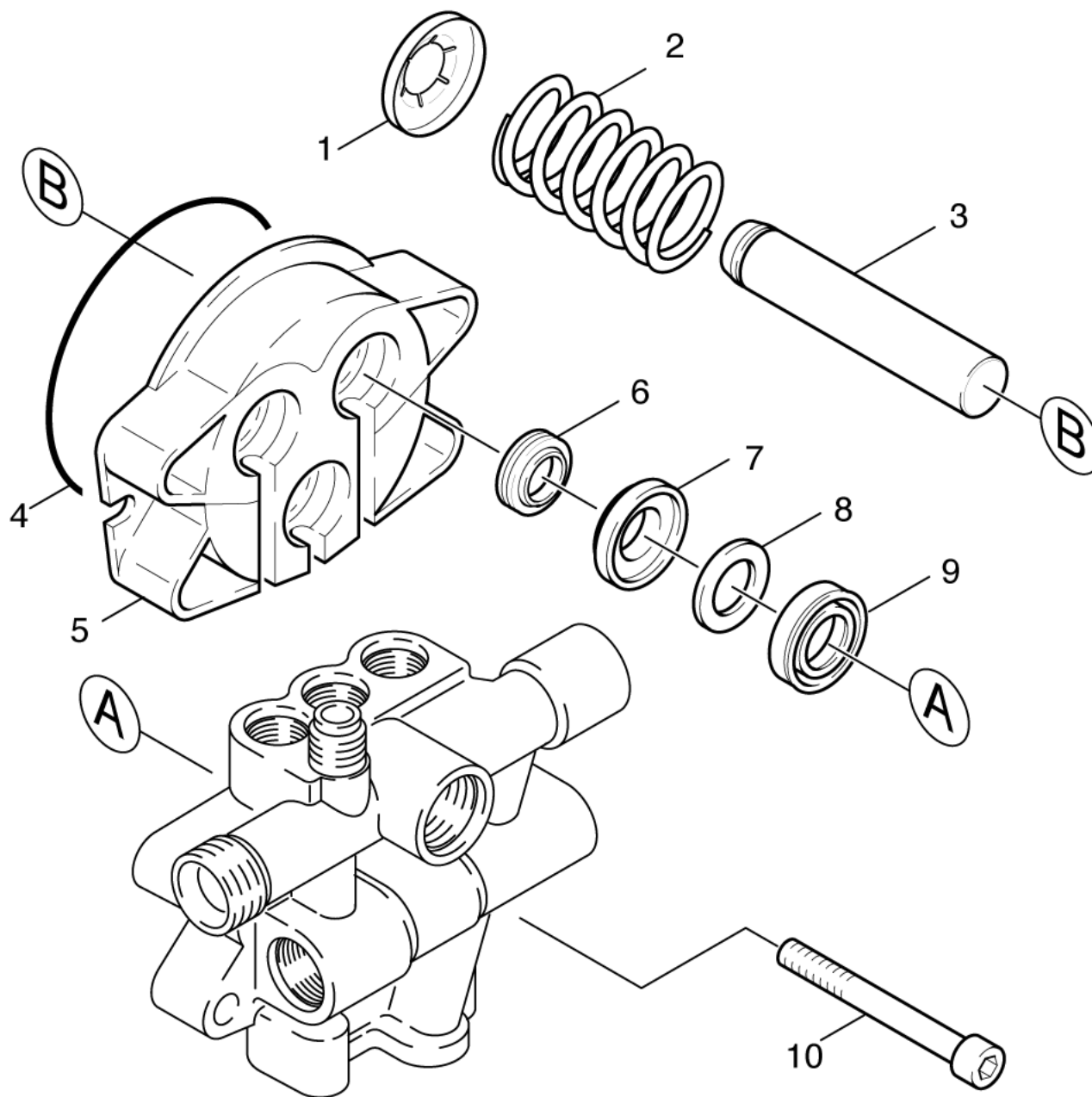


13 Frame

POS	Article no.	Description	Quantity	Unit
1	4.321-069.0	Handhold complete	1.000	ST
2	5.321-440.0	Handhold	1.000	ST
3	6.303-191.0	Screw M8x30-ST-A2R DIN 7500-1	2.000	ST
4	7.306-118.0	Screw M 6x35 -8.8-R3R (In6Rd)	2.000	ST
5	6.303-031.0	Screw M8x16-ST-A2R DIN 7500-1	4.000	ST
6	7.312-166.0	Toothed lock washer A8,4-FSt-A3E DIN 67	3.000	ST
7	5.321-447.0	Handhold	2.000	ST
8	7.306-131.0	Screw M6x45 -8.8-A3R (In6Rd)	2.000	ST
9	7.312-260.0	Washer 6 -100HV-A3E ISO 7094	2.000	ST
10	7.311-512.0	Hexagon nut M 6-8-A2E ISO 7040	2.000	ST
11	5.050-032.0	Frame	1.000	ST
12	5.105-086.0	Axle	1.000	ST
13	5.110-358.0	Sleeve	2.000	ST
14	5.515-011.0	Wheel	2.000	ST
15	6.343-162.0	Lock washer -25	2.000	ST
16	5.392-013.0	Cap	2.000	ST
17	6.435-116.0	Castor	1.000	ST
18	7.304-395.0	Hexagonal head screw M8x16-8.8-A2E ISO	4.000	ST
19	7.311-004.0	Hexagon nut M8 -8-A3E ISO 4032	4.000	ST
20	5.110-561.0	Sleeve	2.000	ST
21	6.435-236.0	Wheel D.250	2.000	ST
22	6.435-237.0	Wheel cap	2.000	ST
23	5.105-251.0	Axle	1.000	ST
24	6.435-312.0	Wheel D250	2.000	ST
25	6.343-217.0	Clamping washer D25	2.000	ST
26	6.435-197.0	Wheel cap zinc yellow	2.000	ST

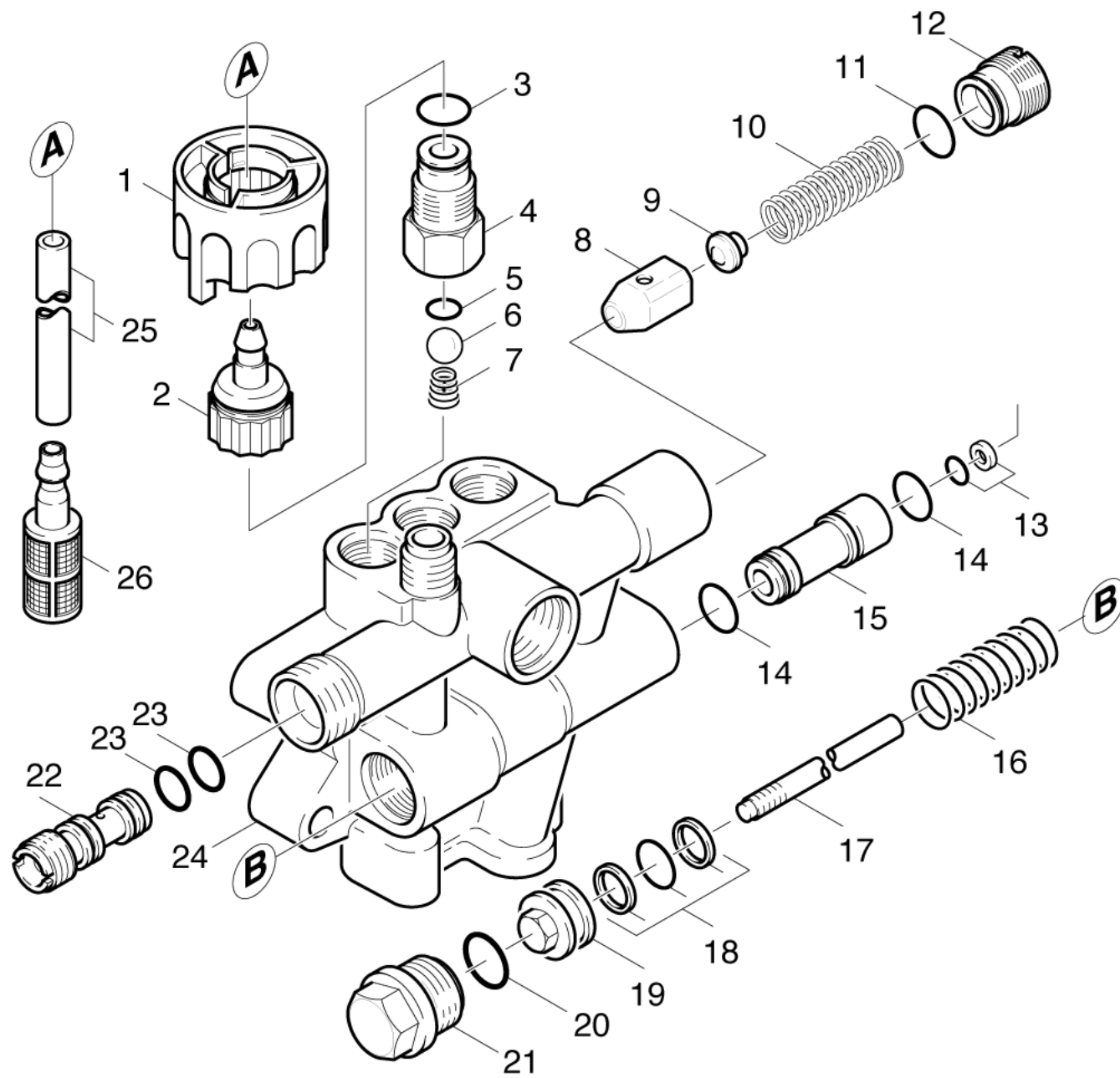
20 Pump set

POS	Description	Quantity	Unit
21	Piston	1.000	ST
22	Cylinder head	1.000	ST
23	Valves	1.000	ST



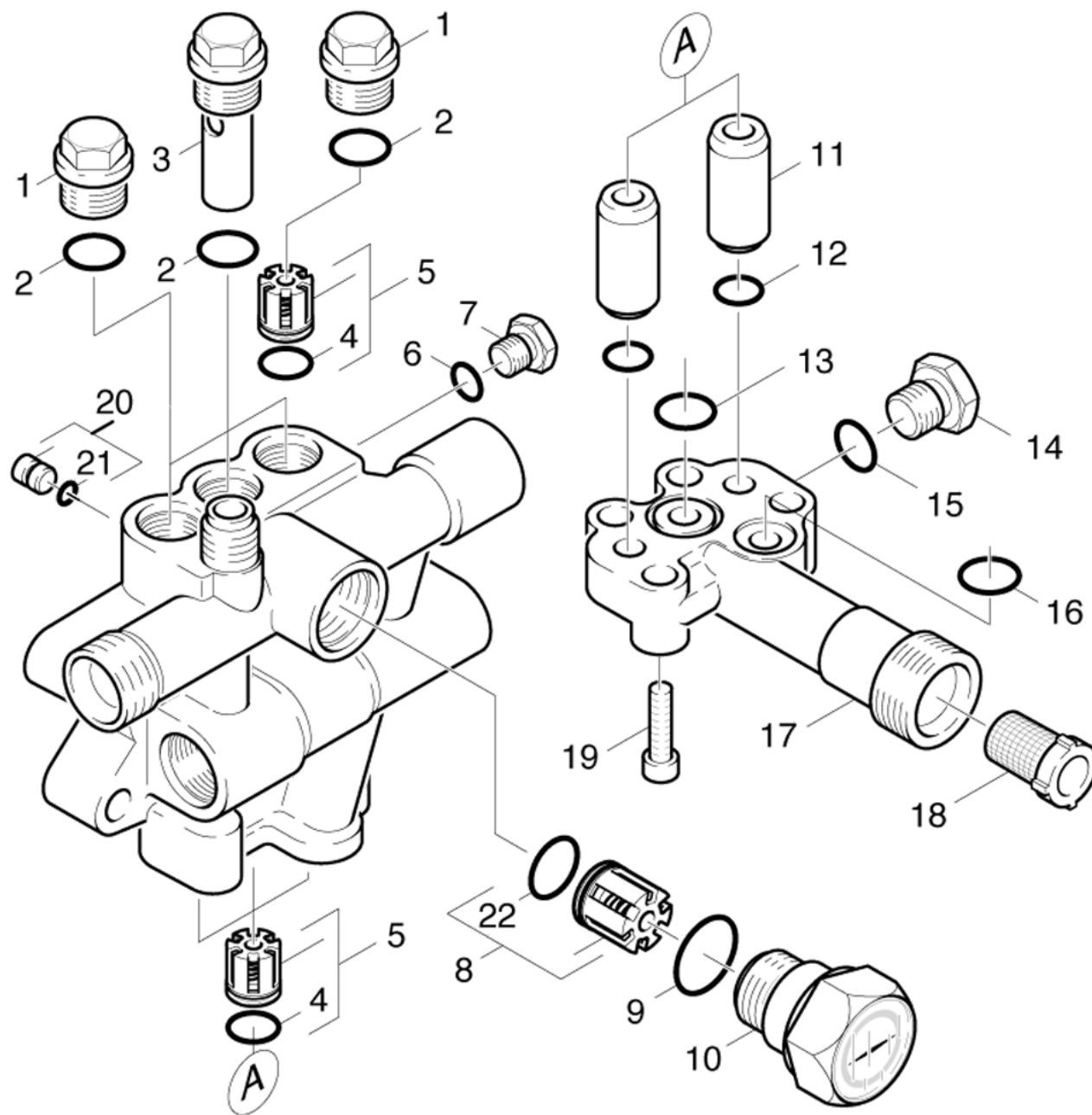
21 Piston

POS	Article no.	Description	Quantity	Unit
1	5.030-625.0	Moulded part	3.000	ST
2	5.332-251.0	Helical spring	3.000	ST
3	5.553-250.0	Piston	3.000	ST
	Item text1: / 1.890-405.0			
3	5.553-231.0	Piston	3.000	ST
	Item text1: / 1.890-401.0 / -402.0 / -403.0			
	Item text2: / -404.0			
4	6.362-471.0	O-Ring seal 80,0 X 3,0 -NBR 70	1.000	ST
5	5.060-349.0	Housing thrust guidance	1.000	ST
6	6.365-340.0	Grooved ring 14X22X5/7	3.000	ST
7	5.115-577.0	Washer	3.000	ST
8	5.115-465.0	Washer	3.000	ST
9	6.365-341.0	Grooved ring	3.000	ST
10	7.306-047.0	Cylinder head screw M8x60 -8.8-A2E ISO4	4.000	ST



22 Cylinder head

POS	Article no.	Description	Quantity	Unit	Foot note text
1	5.321-318.0	Handhold	1.000	ST	
2	5.443-281.0	Hose stem	1.000	ST	
3	6.362-151.0	O-Ring d. 10 x 2 NBR 70	1.000	ST	
4	5.402-511.0	Screw union	1.000	ST	
5	6.362-383.0	O-Ring seal 6,0 X 2,0	1.000	ST	
6	7.401-908.0	Sphere 7 G300 -1.4301 DIN 5401	1.000	ST	
7	5.332-124.0	Helical spring	1.000	ST	
8	4.582-007.0	Valve disc complete	1.000	ST	
9	5.584-060.0	Valve pin	1.000	ST	
10	5.332-140.0	Helical spring	1.000	ST	
11	6.362-169.0	O-Ring seal 12,0 X 2,0	1.000	ST	
12	5.583-096.0	Valve screw	1.000	ST	
13	6.362-467.0	O-Ring seal complete 1ST.-R.	1.000	ST	
14	6.362-482.0	O-Ring seal 10 x 1,5-NBR 70	2.000	ST	
15	5.110-536.0	Sleeve	1.000	ST	
16	5.332-439.0	Helical spring	1.000	ST	
17	5.107-137.0	Bar	1.000	ST	
18	6.362-921.0	O-Ring seal complete	1.000	ST	
19	5.553-303.0	Piston	1.000	ST	
20	6.362-445.0	O-Ring seal 16,0 X 2,4-NBR 80	1.000	ST	
21	5.583-094.0	Valve screw	1.000	ST	
22	5.769-095.0	Nozzle insert	1.000	ST	
23	6.362-384.0	O-Ring seal 9x1,5 - NBR 70	2.000	ST	
24	4.550-269.0	Cylinder head complete	1.000	ST	
25	6.390-426.0	Hose DN 5	1.000	M	TO ORDER AS CUT GOODS
26	5.731-652.0	Filter with weight	1.000	ST	
100	2.883-459.0	Pump set HDS 500CI	1.000	ST	

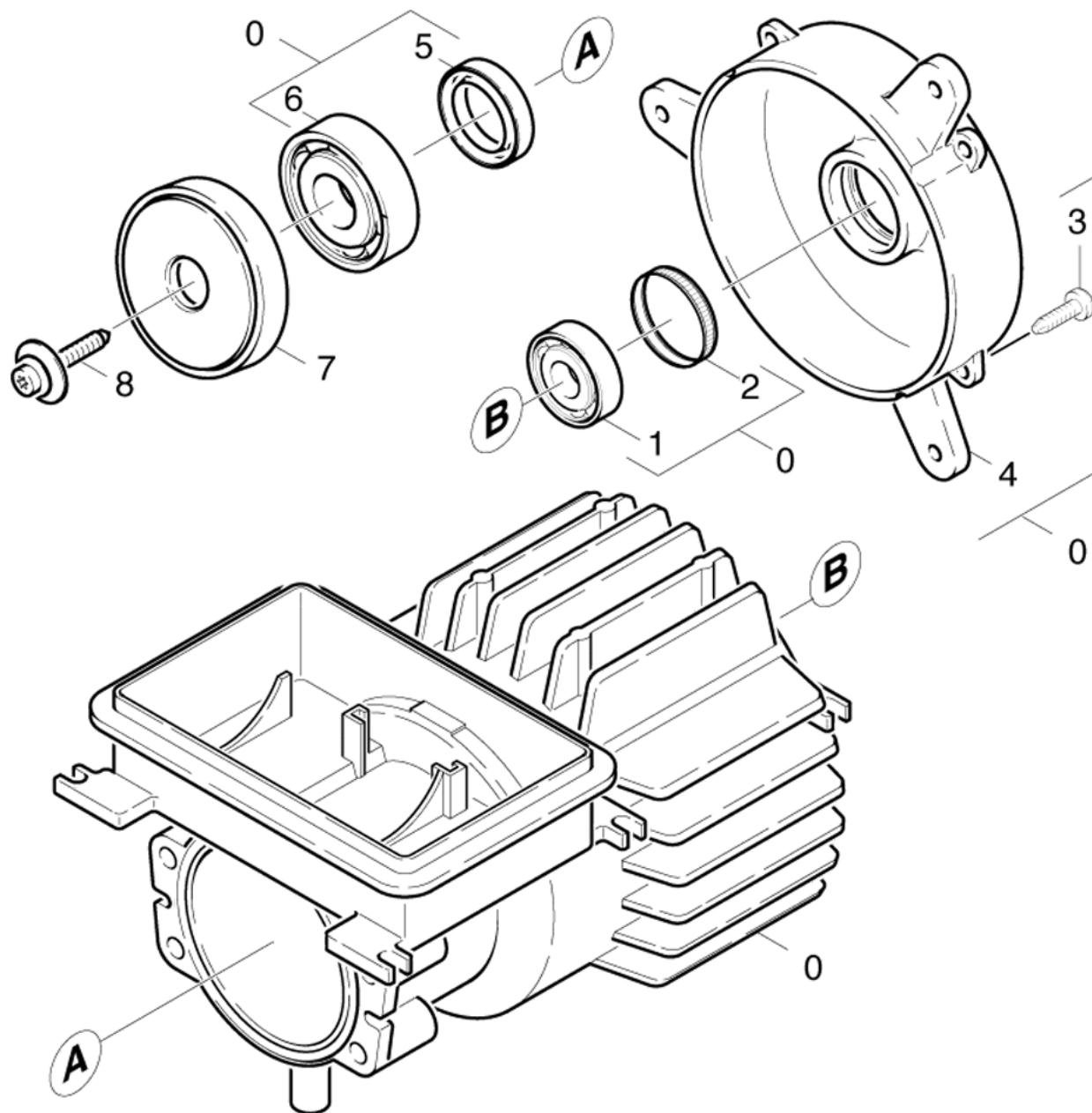


23 Valves

POS	Article no.	Description	Quantity	Unit
1	5.583-135.0	Valve screw	2.000	ST
2	6.362-170.0	O-Ring seal 11,3 X 2,4-NBR 70	3.000	ST
3	5.583-134.0	Valve screw	1.000	ST
4	6.362-845.0	O-Ring seal 10,82x 1,78	6.000	ST
5	2.884-915.0	Valve (3 Stück)	1.000	ST
6	6.362-113.0	O-Ring seal 6,0 x 2,0 NBR 70	1.000	ST
7	5.411-113.0	Screw plug	1.000	ST
8	4.580-219.0	Valve complete	1.000	ST
9	6.362-160.0	O-Ring seal 17,3 X 2,4	1.000	ST
10	6.421-182.0	Pressure gauge	1.000	ST
11	5.110-531.0	Sleeve	2.000	ST
12	6.363-273.0	O-Ring seal 11,0 x 2,0	2.000	ST
13	6.362-524.0	O-Ring seal 17,0 X 1,5	1.000	ST
14	5.411-108.0	Screw plug	1.000	ST
15	6.362-054.0	O-Ring seal 7,5 x 2,0	1.000	ST
16	6.362-527.0	O-Ring seal 12,0 X 1,5-NBR 70	1.000	ST
17	5.587-154.0	Valve housing	1.000	ST
18	6.414-252.0	Strainer	1.000	ST
19	7.306-043.0	Cylinder head screw M8x30 -8.8-A2E ISO	4.000	ST
20	4.316-009.0	Bolt complete	1.000	ST
21	7.362-505.0	O-Ring seal 3,75x1,6-NBR 70 DIN 3770	1.000	ST
22	6.362-381.0	O-Ring seal 13x2 - NBR 70	1.000	ST

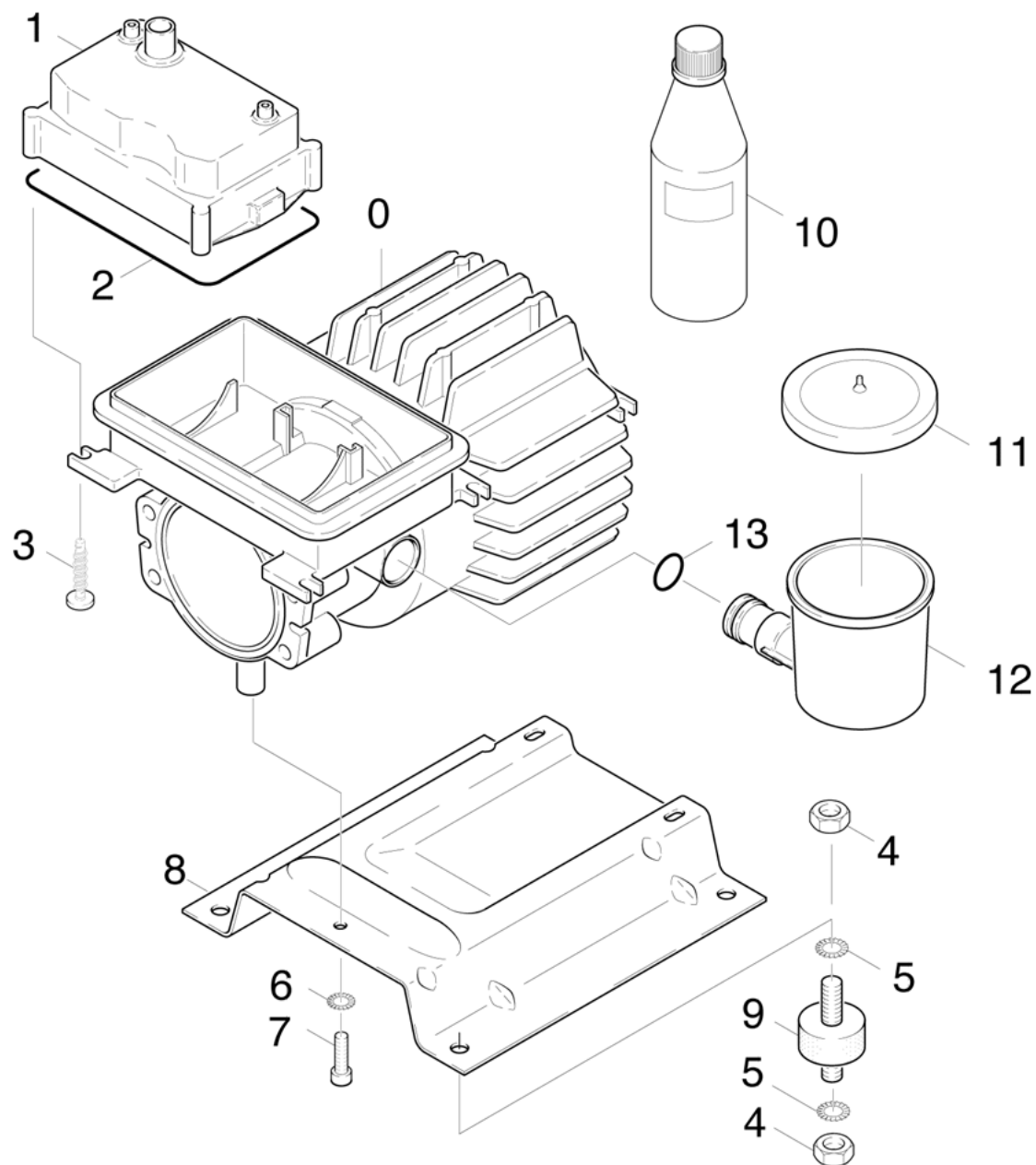
30 Motor

POS	Description	Quantity	Unit
31	Transmission	1.000	ST
32	Individual parts	1.000	ST



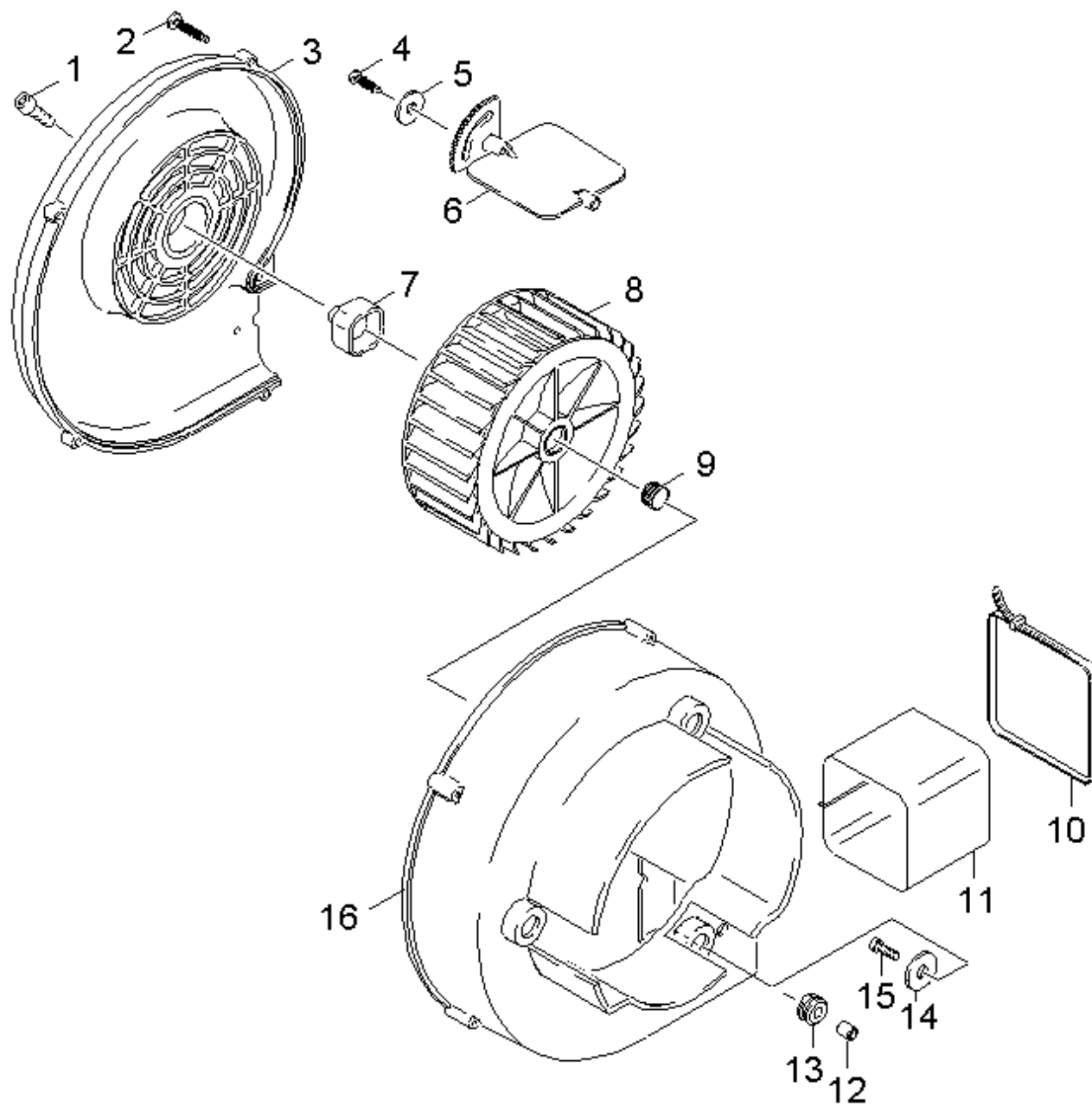
31 Transmission

POS	Article no.	Description	Quantity	Unit
0	7.777-999.0	Stockpiling discontinued	1.000	ST
	Item text1: / 1.890-405.0			
0	4.623-239.0	Motor complete	1.000	ST
	Item text1: / 1.890-401.0 / -402.0 / -403.0			
	Item text2: / -404.0			
1	7.401-151.0	Ball bearing 6003-2RS Wälzl.St DIN 625	1.000	ST
2	6.343-015.0	Tolerance ring 35X6	1.000	ST
3	7.303-044.0	Screw M5x45-ST-A2R (IN6RD)	4.000	ST
4	5.063-302.0	Cover	1.000	ST
5	7.367-018.0	Radial shaft seal ring A26x37x7 -NBR DI	1.000	ST
6	7.401-155.0	Ball bearing 6304-WAELZLAGERST DIN 625	1.000	ST
7	6.401-196.0	Wobble plate	1.000	ST
	Item text1: / 1.890-405.0			
7	6.401-193.0	Wobble plate	1.000	ST
	Item text1: / 1.890-401.0 / -402.0 / -403.0			
	Item text2: / -404.0			
8	6.304-048.0	Cylinder head screw M6x19	1.000	ST



32 Individual parts

POS	Article no.	Description	Quantity	Unit
0	4.623-239.0	Motor complete	1.000	ST
1	5.063-548.0	Cover motor	1.000	ST
2	5.379-015.0	Rubber ring	1.000	ST
3	6.303-125.0	Screw 5x20-Sonder In6Rd+Spitze	4.000	ST
4	7.311-004.0	Hexagon nut M8 -8-A3E ISO 4032	8.000	ST
5	7.312-166.0	Toothed lock washer A8,4-FSt-A3E DIN 67	8.000	ST
6	7.312-172.0	Toothed lock washer A5,3-FSt-A3E DIN 67	3.000	ST
7	7.303-039.0	Screw M5x16 -St-A2R (In6Rd)	3.000	ST
8	5.051-016.0	Base plate	1.000	ST
9	6.339-095.0	Rubber buffer	4.000	ST
10	6.288-050.0	Engine oil 1L	1.000	ST
11	5.063-237.0	Cover	1.000	ST
12	5.070-089.0	Tank oil	1.000	ST
13	6.362-079.0	O-Ring seal 18,0 X 2,5	1.000	ST

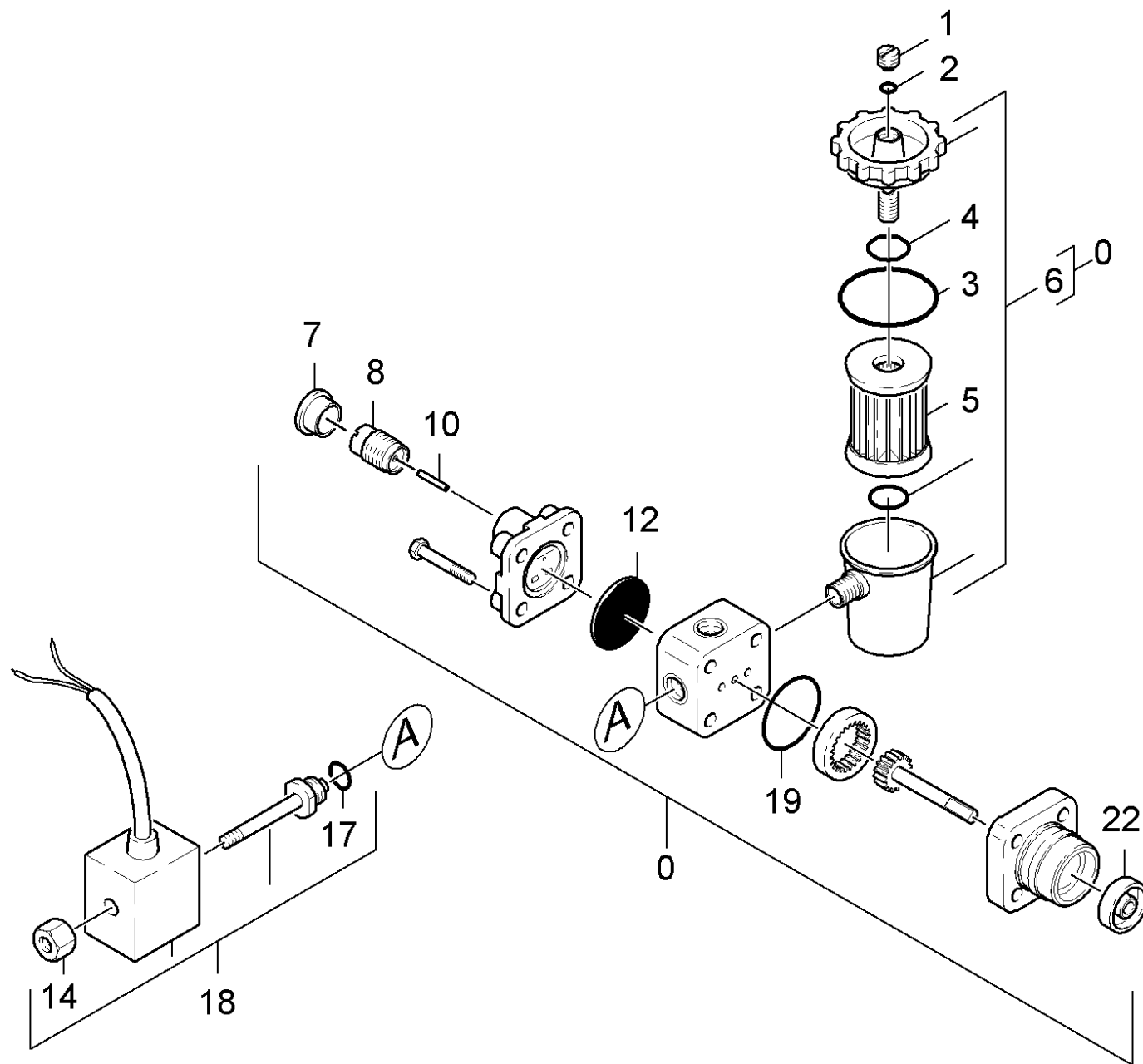


40 Blower

POS	Article no.	Description	Quantity	Unit
1	7.306-090.0	Screw M6x16 -8.8-R3R (In6Rd)	1.000	ST
2	7.303-084.0	Screw 4x25 -10.9-R2R (K-In6Rd)	5.000	ST
3	5.063-274.0	Cover	1.000	ST
4	7.303-077.0	Sheet metal screw ST4,8X16-ST-A2R (IN6R	1.000	ST
5	7.312-278.0	Washer 5-200HV-A2E ISO7093-1	1.000	ST
6	5.606-002.0	Air flap	1.000	ST
7	5.471-060.0	Coupling element	1.000	ST
8	5.600-021.0	Blower wheel	1.000	ST
9	6.343-166.0	Tolerance ring D14X8	1.000	ST
10	6.388-608.0	Tightening strap	2.000	ST
11	5.178-026.0	Cloth collar	1.000	ST
12	5.110-306.0	Sleeve	3.000	ST
13	5.379-011.0	Rubber ring	3.000	ST
14	7.312-264.0	Washer 5-100HV-A3E ISO 7094	3.000	ST
15	6.303-320.0	Screw M 5x 20-St-R2R	3.000	ST
16	5.605-119.0	Housing	1.000	ST

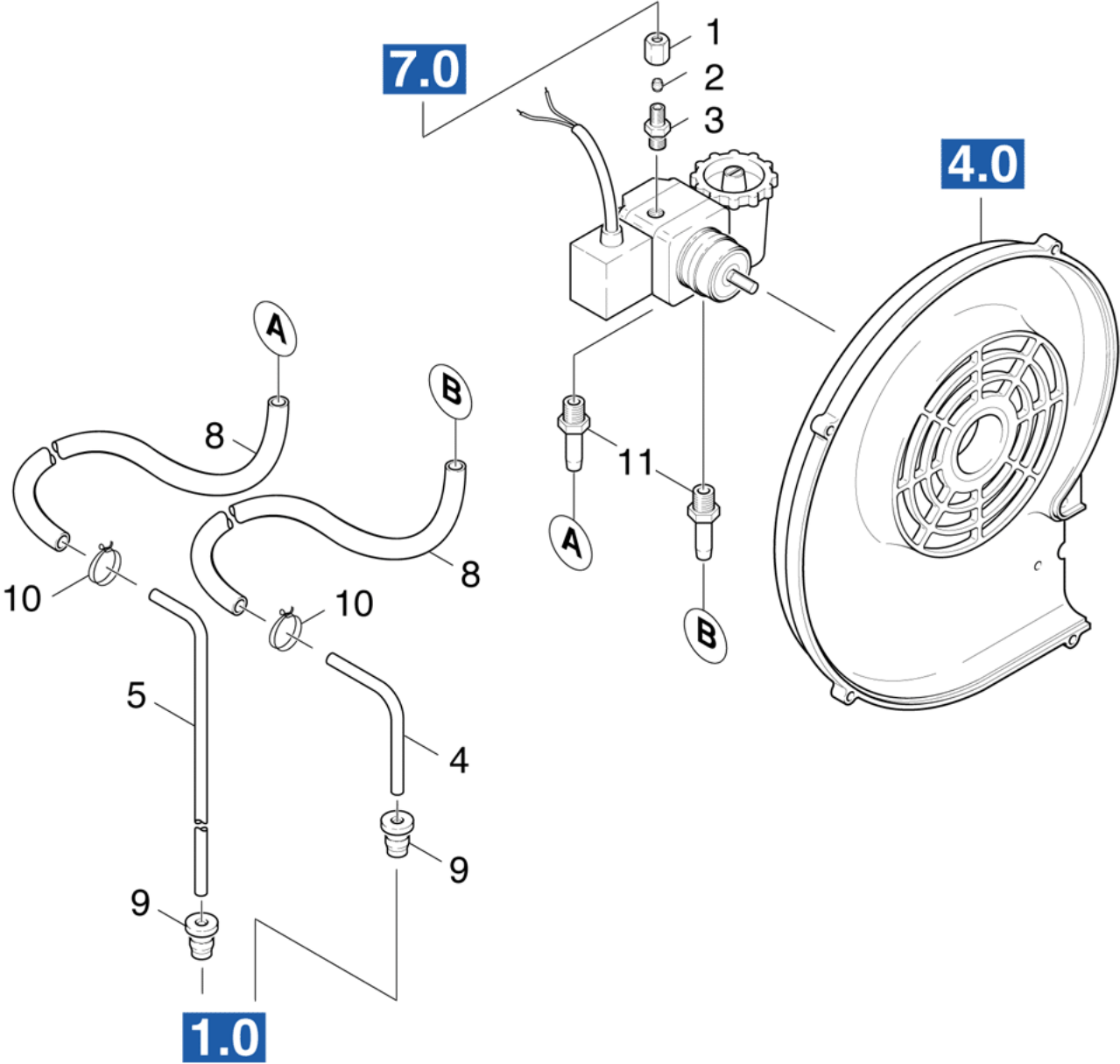
50 Fuel pump

POS	Description	Quantity	Unit
51	Fuel pump	1.000	ST
52	Fuel pump	1.000	ST



51 Fuel pump

POS	Article no.	Description	Quantity	Unit
0	6.472-925.0	Pump oil burner only for replacement	1.000	ST
1	6.472-107.0	Screw ventilation	1.000	ST
2	6.472-106.0	O-Ring seal 5,0 X 1,8	1.000	ST
3	6.472-111.0	O-Ring seal 32,0 X 1,6	1.000	ST
4	6.472-112.0	O-Ring seal 10,0 x 2,4 NBR 70	1.000	ST
5	6.472-113.0	Filter cartridge	1.000	ST
6	6.472-123.0	Filter housing complete	1.000	ST
7	6.472-122.0	Protecting cap	1.000	ST
8	6.472-109.0	Housing spring	1.000	ST
10	6.472-108.0	Pin	1.000	ST
12	6.472-128.0	Diaphragm	1.000	ST
14	6.472-340.0	Knurled nut	1.000	ST
17	6.472-125.0	O-Ring seal 12,0 X 1,5	1.000	ST
18	6.472-412.0	Solenoid valve complete	1.000	ST
19	6.472-120.0	O-Ring seal 28,5 X 1,6	1.000	ST
22	6.472-105.0	Seal axle	1.000	ST

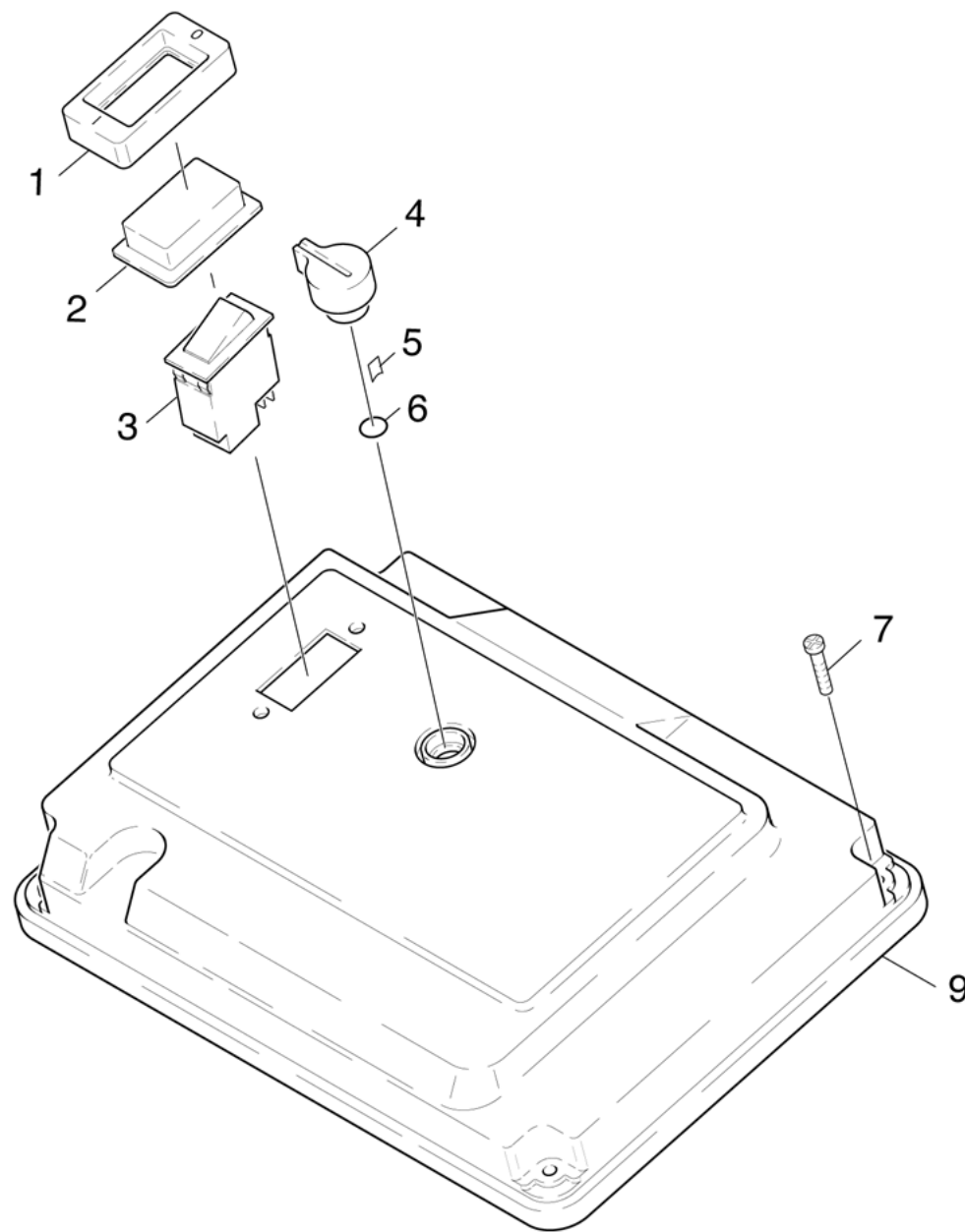


52 Fuel pump

POS	Article no.	Description	Quantity	Unit	Foot note text
1	6.389-262.0	Union nut A 4-LL	1.000	ST	
2	6.389-263.0	Cutting ring d.4	1.000	ST	
3	6.389-261.0	Screw union	1.000	ST	
4	5.028-533.0	Barrel recoil for fuel	1.000	ST	
5	5.028-534.0	Suction tube for fuel	1.000	ST	
8	6.389-534.0	Hose	1.000	M	TO ORDER AS CUT GOODS
9	5.365-145.0	Profile gasket	2.000	ST	
10	6.389-567.0	Hose clip	2.000	ST	
11	6.472-927.0	Hose stem only for replacement	2.000	ST	

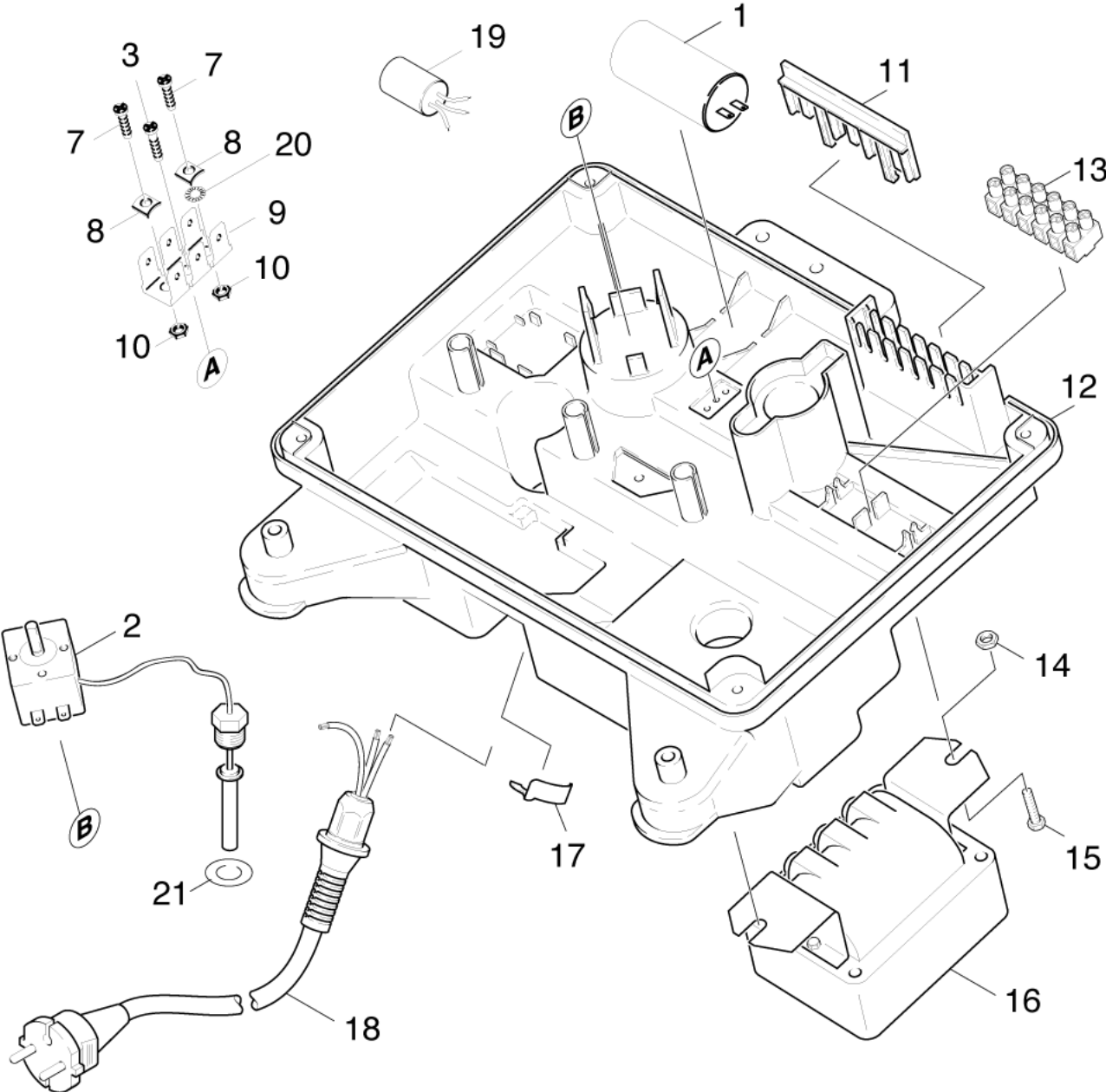
60 Electric control box

POS	Description	Quantity	Unit
61	Control panel	1.000	ST
62	Mounting plate	1.000	ST



61 Control panel

POS	Article no.	Description	Quantity	Unit
1	5.050-061.0	Frame	1.000	ST
2	6.631-469.0	Protective cover (Y30600101)	1.000	ST
3	6.631-758.0	Rocker switch	1.000	ST
4	5.321-449.0	HANDLE SWITCHES	1.000	ST
5	6.313-014.0	Spring element	1.000	ST
6	6.362-078.0	O-Ring seal 13,3x2,4	1.000	ST
7	6.303-155.0	Screw 5x16	4.000	ST
9	5.841-300.0	Control panel	1.000	ST

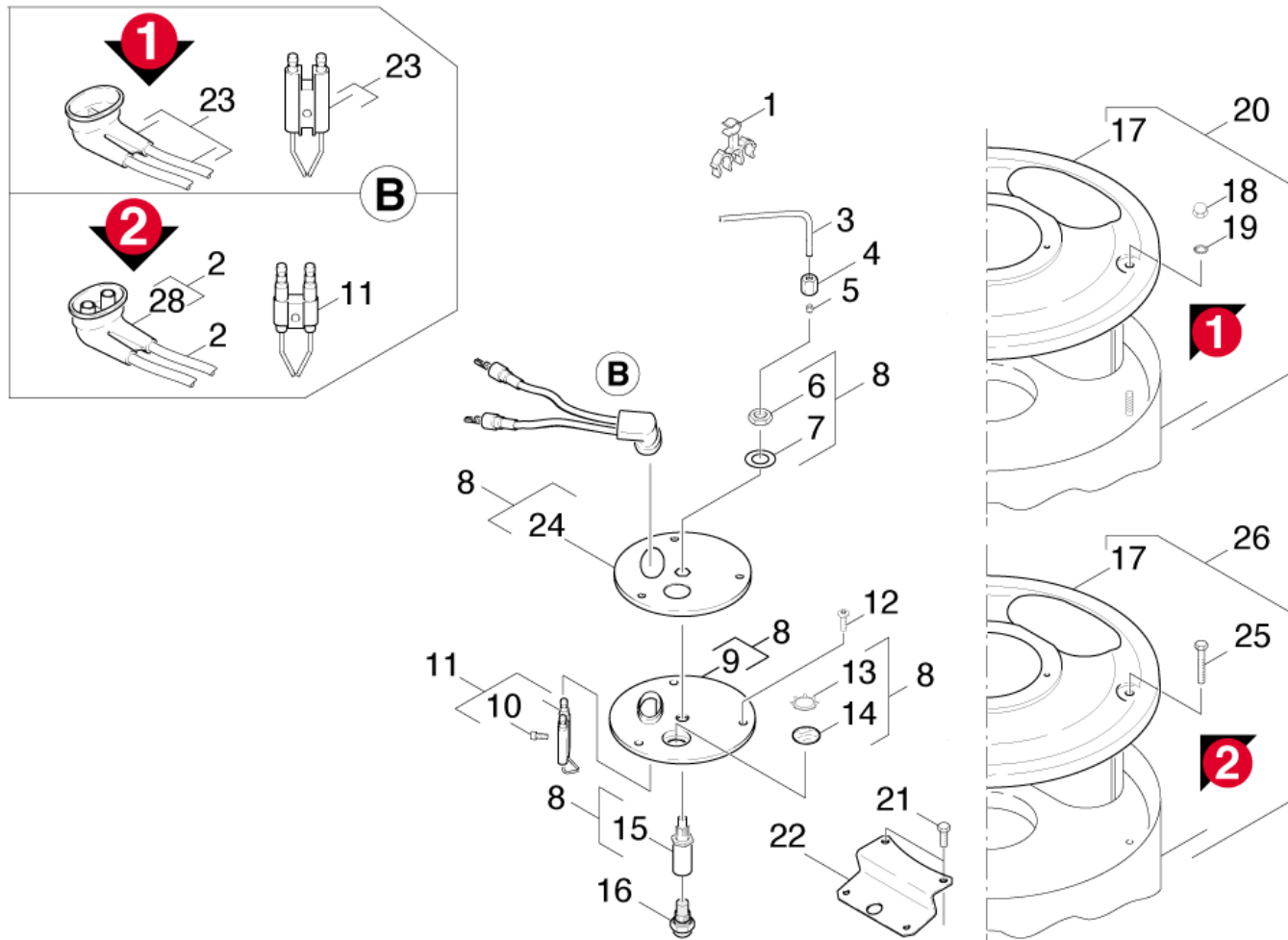


62 Mounting plate

POS	Article no.	Description	Quantity	Unit
1	6.661-129.0	Capacitor 25MF	1.000	ST
2	6.685-871.0	Thermostat	1.000	ST
3	7.303-106.0	Screw 4x12 -10.9-R2R (IN6RD)	1.000	ST
7	7.303-033.0	Screw M4x16-ST-A2R (KOMBI-IN6RD)	2.000	ST
8	6.641-804.0	Clamping washer 4	2.000	ST
9	6.641-270.0	Plug	1.000	ST
10	7.311-001.0	Hexagon nut M4 -8-A2E ISO 4032	2.000	ST
11	5.030-975.0	Clamping part	1.000	ST
12	5.801-117.0	Mounting plate	1.000	ST
13	6.643-249.0	Strip terminal	1.000	ZST
14	7.311-425.0	Hexagon nut M6 -04-A2E ISO 10511	1.000	ST
15	7.304-386.0	Hexagonal head screw M 6x25-8.8-A2E ISO	1.000	ST
16	6.622-167.0	Ignition transformer 230V	1.000	ST
	Item text1: / 1.890-405.0			
16	4.622-033.0	Ignition transformer only for replacemen	1.000	ST
	Item text1: / 1.890-401.0 / -402.0 / -403.0			
	Item text2: / -404.0			
17	6.343-170.0	Retaining clip	1.000	ST
18	6.647-275.0	Cable with plug *GB	1.000	ST
	Item text1: / 1.890-403.0			
18	6.649-951.0	Cable with plug CH	1.000	ST
	Item text1: / 1.890-402.0			
18	6.647-251.0	Cable with plug	1.000	ST
	Item text1: / 1.890-401.0 / -405.0			
18	6.647-127.0	Cable with plug *AU	1.000	ST
	Item text1: / 1.890-404.0			
19	6.661-092.0	Interference suppressor	1.000	ST
	Item text1: / 1.890-401.0 / -402.0 / -403.0			
	Item text2: / -404.0			
20	7.312-163.0	Toothed lock washer A4,3-FST-PH DIN 679	1.000	ST
	Item text1: / 1.890-402.0 / -404.0			
21	5.115-375.0	Washer	1.000	ST

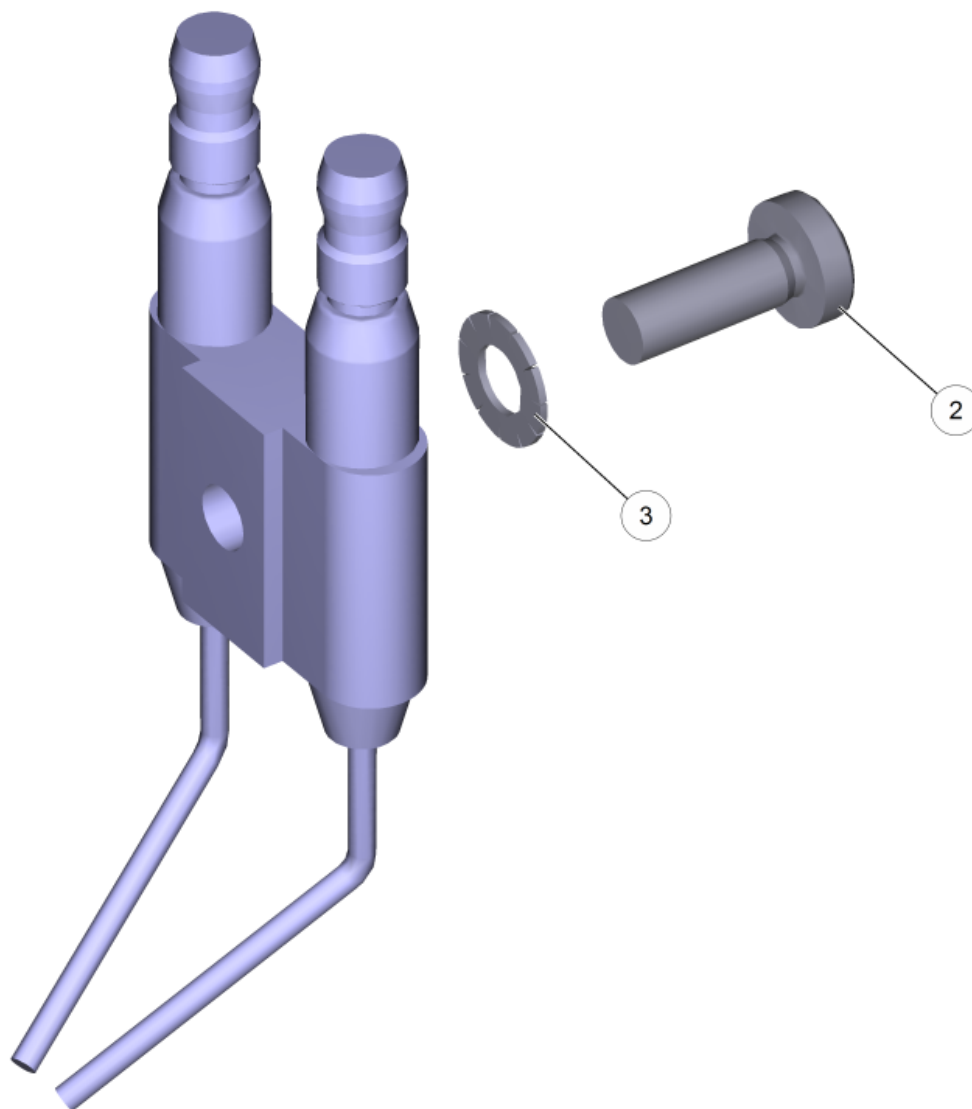
70 Flow heater

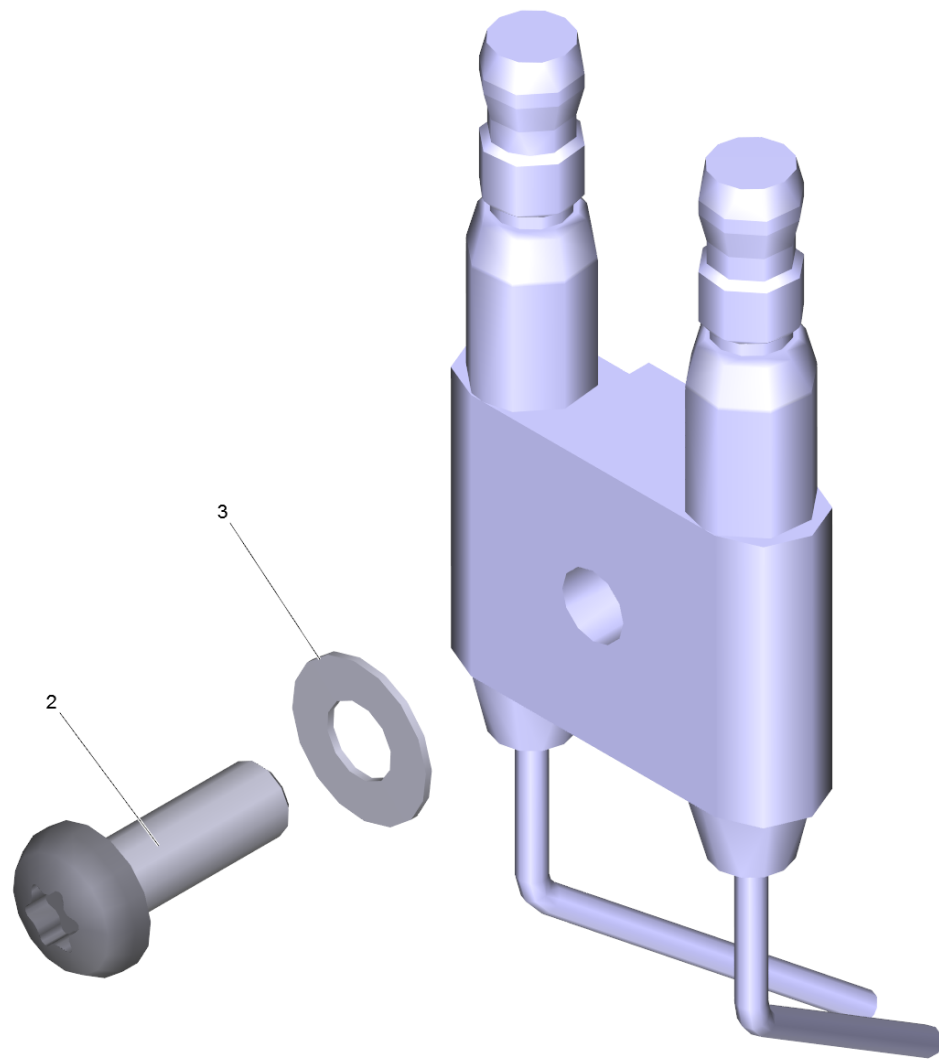
POS	Description	Quantity	Unit
71	Burner cover	1.000	ST
72	Heating coil	1.000	ST
73	Burner bottom	1.000	ST



71 Burner cover

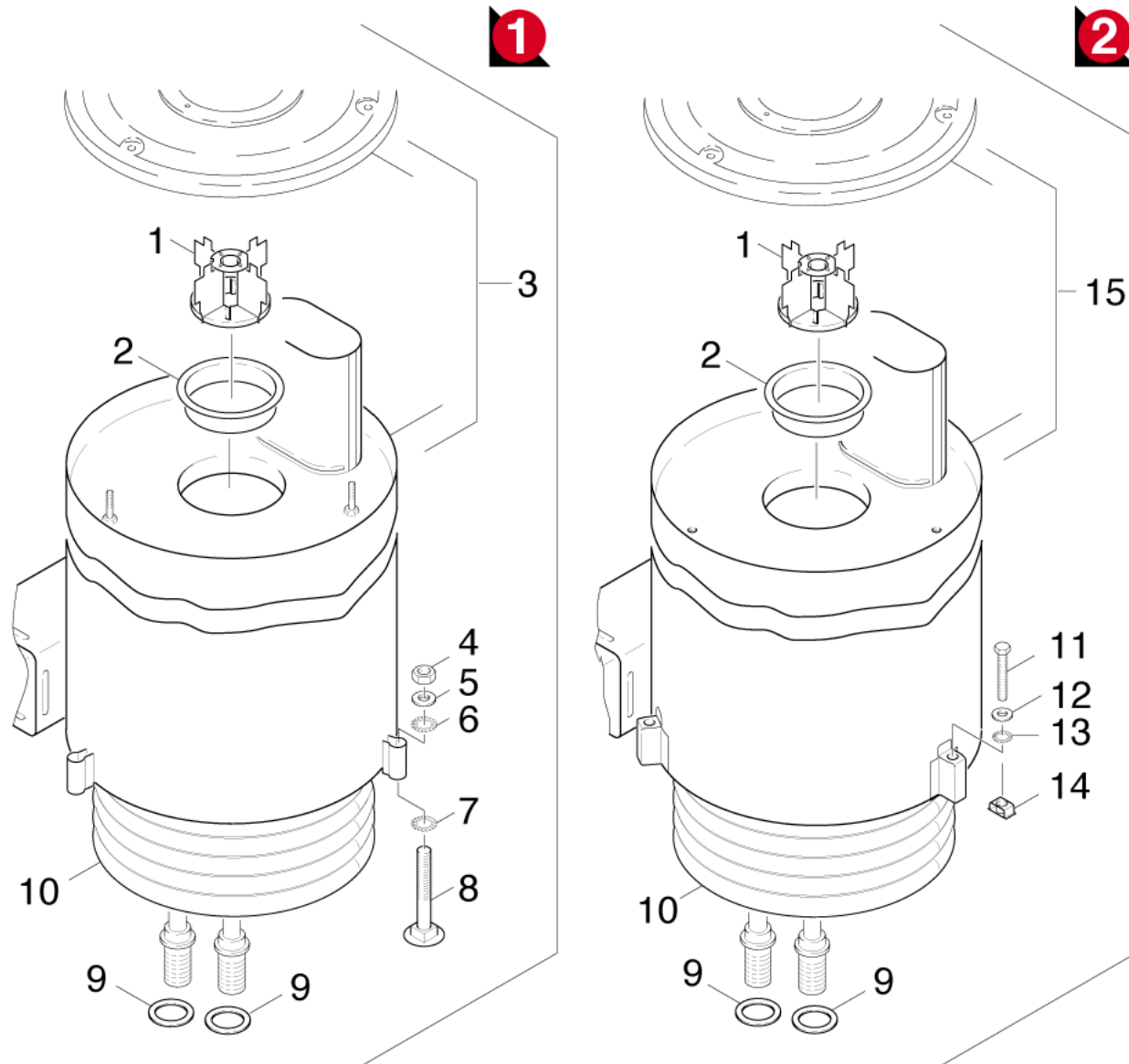
POS	Article no.	Description	Quantity	Unit	Foot note text
1	6.647-527.0	Holder	1.000	ST	
2	4.821-071.0	IGNITION LEAD (HDS 557CI)	1.000	ST	
3	5.423-140.0	Conduit	1.000	ST	
4	6.389-262.0	Union nut A 4-LL	1.000	ST	
5	6.389-263.0	Cutting ring d.4	1.000	ST	
6	7.311-101.0	Hexagon nut M10x1 -04-A2E ISO 8675	1.000	ST	
7	7.312-302.0	Spring washer B10-FST-A2E DIN 137	1.000	ST	
8	2.882-392.0	Conversion kit burner cover	1.000	ST	
9	5.662-022.0	Burner cover	1.000	ST	
10	7.306-217.0	Screw M5x14 -8.8-R2R (In6Rd)	1.000	ST	
11	2.638-974.0	Conversion kit ignition electrode	1.000	ST	
12	7.303-038.0	Screw M5x12 -St-P2R (In6Rd)	3.000	ST	
13	6.343-165.0	Serrated ring	1.000	ST	
14	6.278-018.0	Glass pane	1.000	ST	
15	5.667-055.0	Nozzle holder	1.000	ST	
16	6.415-492.0	Nozzle 0,85 60 GRAD	1.000	ST	
17	4.654-196.0	Cover pressure boiler	1.000	ST	
18	7.311-380.0	Cap nut M6 -6-A2E DIN 1587	3.000	ST	VERSION 1
19	7.312-167.0	Toothed lock washer A6,4-FSt-A3E DIN 67	3.000	ST	VERSION 1
20	7.777-999.0	Stockpiling discontinued	1.000	ST	VERSION 1
21	7.306-090.0	Screw M6x16 -8.8-R3R (In6Rd)	2.000	ST	
22	5.030-985.0	Moulded part	1.000	ST	
23	2.638-976.0	Conversion kit ignition cable	1.000	ST	
24	5.654-059.0	Cover pressure boiler	1.000	ST	
25	6.303-258.0	Self-tapping screw	3.000	ST	VERSION 2
26	4.652-112.0	Outer covering	1.000	ST	VERSION 2
28	5.394-470.0	Protecting cap	1.000	ST	





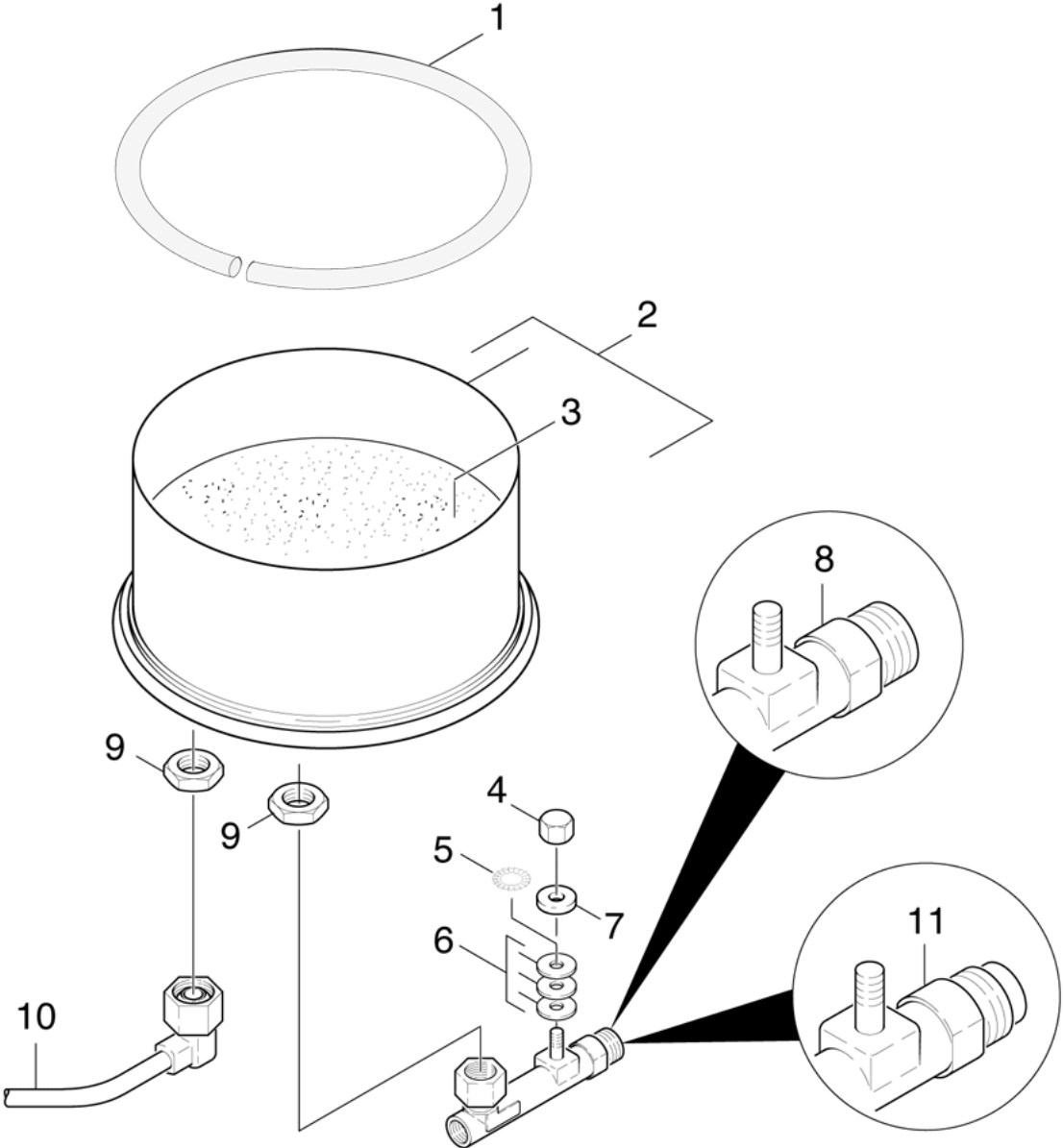
11 Conversion kit ignition electrode (2.638-974.0)

POS	Article no.	Description	Quantity	Unit
2	7.306-217.0	Screw M5x14 -8.8-R2R (In6Rd)	1.000	ST
3	7.312-304.0	Spring washer B 5-FST-A2E DIN 137	1.000	ST



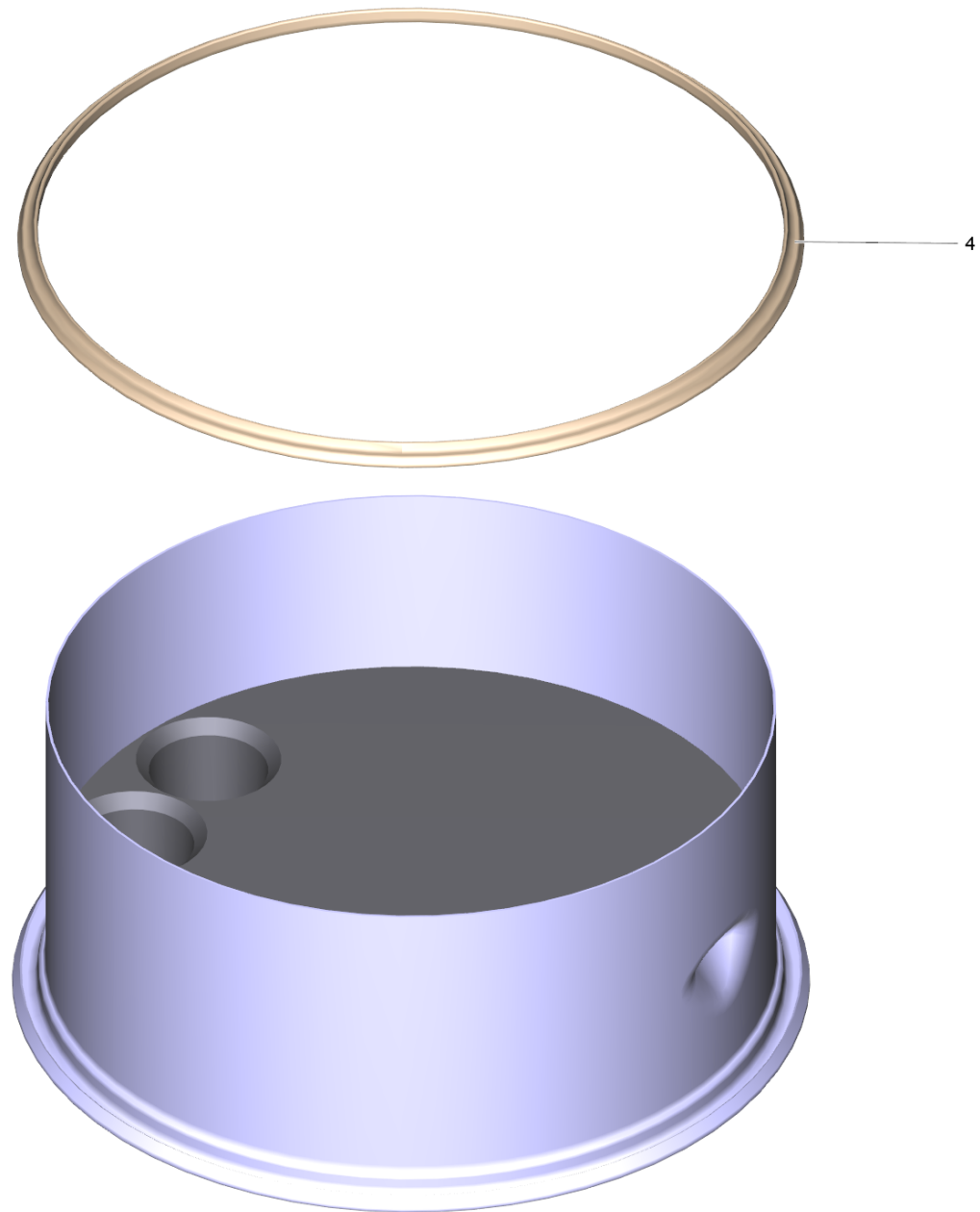
72 Heating coil

POS	Article no.	Description	Quantity	Unit	Remark	Foot note text
1	4.663-073.0	Burner cage	1.000	ST		
2	5.664-179.0	Burner part	1.000	ST		
3	7.777-999.0	Stockpiling discontinued	1.000	ST		VERSION 1
4	7.311-510.0	Hexagon nut M 8-8-A2E ISO 7040	3.000	ST		VERSION 1
5	7.312-277.0	Washer 8-200HV-A2E ISO7093-1	4.000	ST		VERSION 1
6	7.312-160.0	Toothed lock washer A10,5 -FSt-A3E DIN	1.000	ST		VERSION 1
7	7.312-169.0	Toothed lock washer A13-FST-A3E DIN 679	2.000	ST		VERSION 1
8	7.303-165.0	Saucer-head screw M8x55-ST-A0P DIN 603	3.000	ST		VERSION 1
9	5.365-068.0	Profile gasket	2.000	ST		
10	4.680-129.0	Heating coil VA	1.000	ST	VERSION 2	STAINLESS STEEL CONSTRUCTION
	Item text1: 1.852-408.0 / -409.0					
10	4.680-127.0	Heating coil	1.000	ST		VERSION 2
	Item text1: / 1.852-408.0 / -409.0					
10	4.680-122.0	Heating coil	1.000	ST		VERSION 1
11	7.304-096.0	Hexagonal head screw M8x60-8.8-A2E ISO	3.000	ST		VERSION 2
12	7.312-004.0	Washer 8 -200HV-A3E ISO 7090	3.000	ST		VERSION 2
13	7.312-166.0	Toothed lock washer A8,4-FSt-A3E DIN 67	3.000	ST		VERSION 2
14	6.310-081.0	Cage nut M 8	3.000	ST		VERSION 2
15	4.652-112.0	Outer covering	1.000	ST		VERSION 2



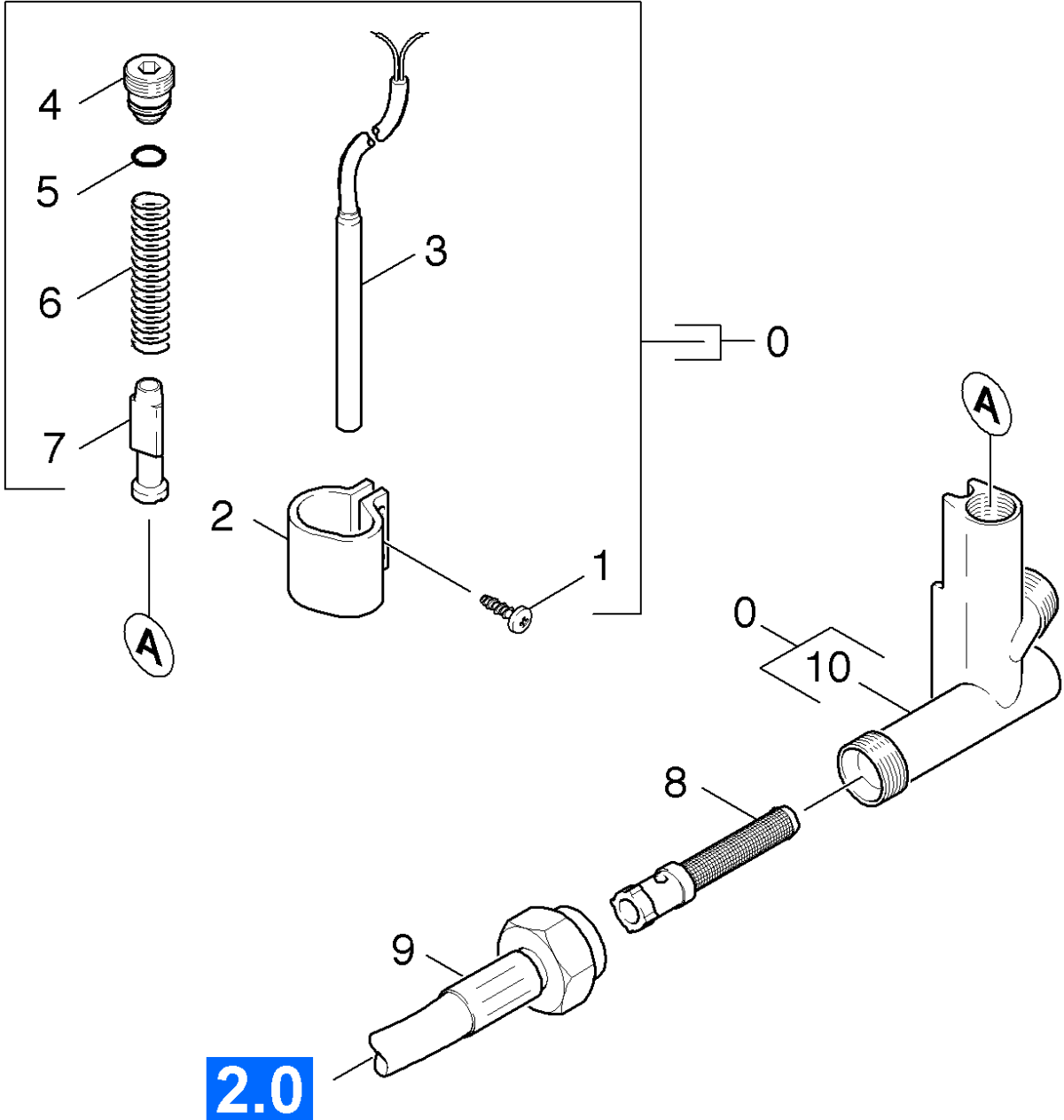
73 Burner bottom

POS	Article no.	Description	Quantity	Unit	Foot note text
1	6.366-009.0	Seal string	1.000	ST	
2	4.655-044.0	Bottom pressure boiler	1.000	ST	
3	2.889-061.0	Refractory material 8kg	1.000	ST	
4	7.311-004.0	Hexagon nut M8 -8-A3E ISO 4032	1.000	ST	
5	7.312-169.0	Toothed lock washer A13-FST-A3E DIN 679	2.000	ST	
6	7.312-005.0	Washer 10-200HV-A3E ISO 7090	3.000	ST	
7	7.312-277.0	Washer 8-200HV-A2E ISO7093-1	1.000	ST	
8	4.427-123.0	Manifold	1.000	ST	PAY ATTENTION TO VERSION
9	7.311-155.0	Hexagon nut M22x1,5 -Cu2 DIN 936	2.000	ST	
10	4.421-249.0	Pipelines	1.000	ST	
11	4.427-182.0	Manifold	1.000	ST	PAY ATTENTION TO VERSION



2 Bottom pressure boiler (4.655-044.0)

POS	Article no.	Description	Quantity	Unit
4	6.366-009.0	Seal string	1.000	ST
6	6.869-024.0	Quick-bonding agent	0.004	ZST



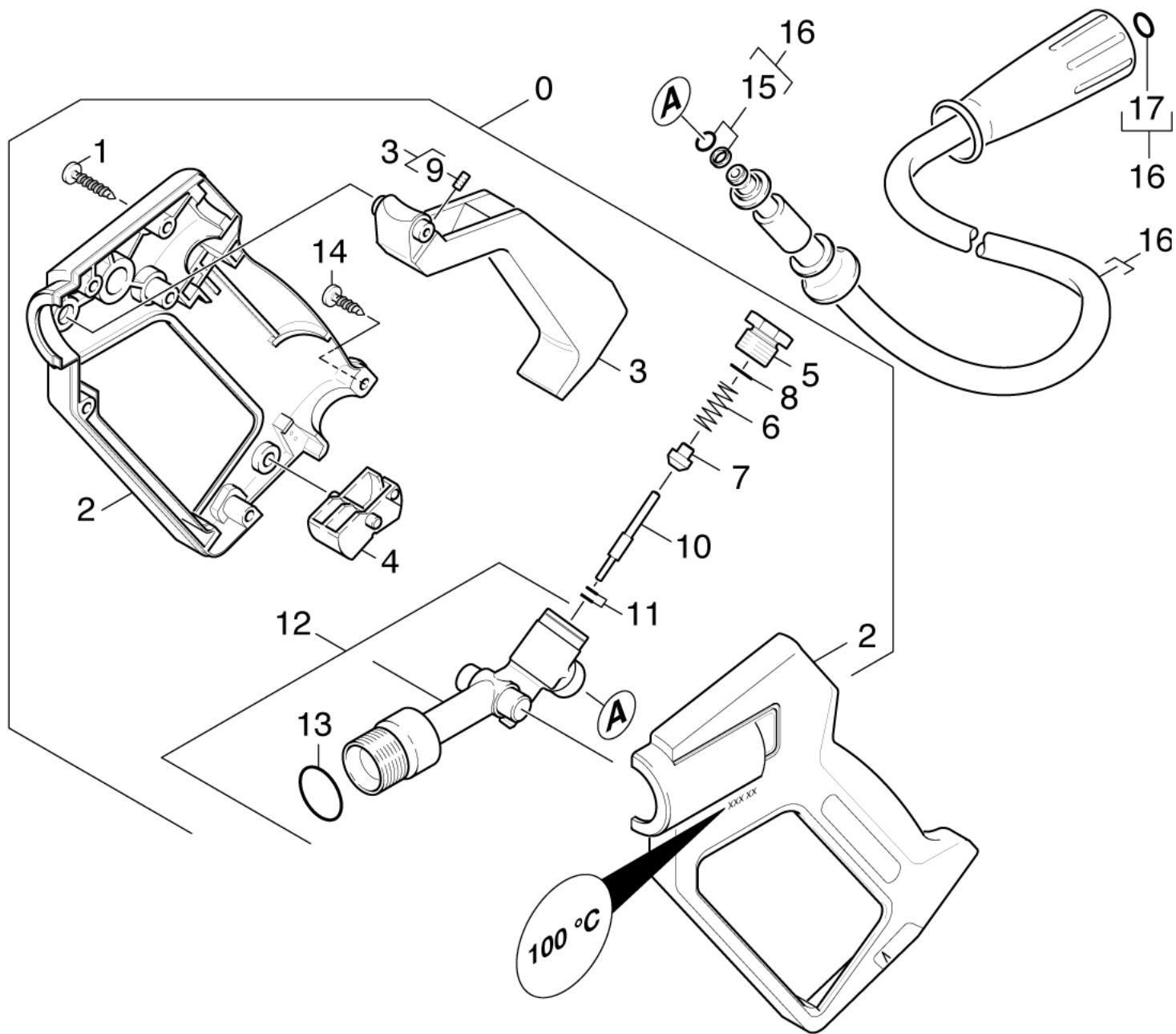
2.0

80 Safety system

POS	Article no.	Description	Quantity	Unit
0	4.749-122.0	Safety system	1.000	ST
1	6.303-122.0	M4 .2X13 DIN 7981 TORX T15 PAN HD HI/LO	1.000	ST
2	5.041-076.0	Clamp	1.000	ST
3	2.883-384.0	Reed switch replacement	1.000	ST
4	5.305-162.0	Shaped screw	1.000	ST
5	6.362-482.0	O-Ring seal 10 x 1,5-NBR 70	1.000	ST
6	5.332-057.0	Helical spring	1.000	ST
7	4.553-022.0	Piston	1.000	ST
8	6.414-418.0	Strainer	1.000	ST
9	6.388-910.0	High pressure hose DN 8	1.000	ST
10	5.060-479.0	Housing	1.000	ST

90 Accessories

POS	Description	Quantity	Unit	Remark
91	Hand trigger gun	1.000	ST	VERSION 1
92	Hand trigger gun	1.000	ST	VERSION 2
93	Hand trigger gun	1.000	ST	VERSION 3
94	Hand trigger gun	1.000	ST	VERSION 4
95	Jet pipe	1.000	ST	VERSION 1
96	Jet pipe	1.000	ST	VERSION 2
97	Jet pipe	1.000	ST	VERSION 3
98	Nozzle	1.000	ST	

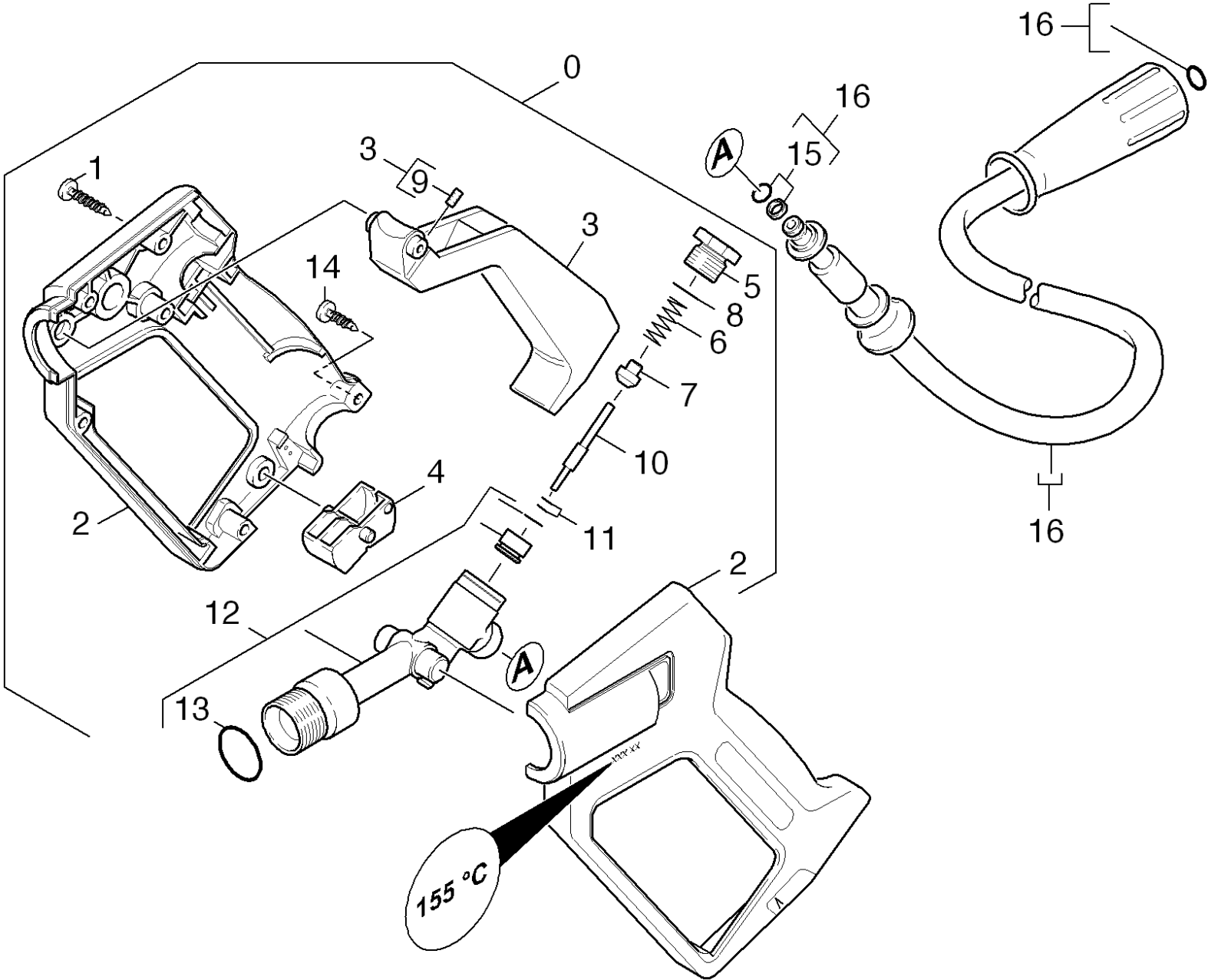


91 Hand trigger gun

POS	Article no.	Description	Quantity	Unit
0	4.775-080.0	Hand trigger gun replacement	1.000	ST
1	7.303-096.0	Screw 4x22 -ST-10.9-R2R (IN6RD)	6.000	ST
2	5.321-206.0	Handhold few	1.000	ST
3	4.481-050.0	Lever	1.000	ST
4	5.481-052.0	Lever	1.000	ST
5	5.411-067.0	Screw plug	1.000	ST
6	5.332-157.0	Helical spring	1.000	ST
7	5.582-058.0	Valve disc	1.000	ST
8	6.362-480.0	O-Ring seal 12,42x 1,78	1.000	ST
9	7.307-417.0	Threaded pin M8x16 -45H-A2E ISO 4026	1.000	ST
10	5.107-259.0	Bar	1.000	ST
11	6.362-571.0	O-Ring seal complete /1ST.-R	1.000	ST
12	7.777-999.0	Stockpiling discontinued	1.000	ST
13	6.362-496.0	O-Ring seal 17,12X 2,62-NBR 70	1.000	ST
14	6.303-025.0	Oval head screw 4,2x16-St-vz	1.000	ST
15	2.880-990.0	Spare part set O-Ring 5x -Kaercher	1.000	ST
16	6.389-853.0	MANGUEIRA DN6 25MPa 10m HD 655 / 790	1.000	ST
17	6.363-115.0	O-Ring seal complete 1ST.-R.	1.000	ST
100	2.883-191.0	Spare part set	1.000	ST

100 Spare part set (2.883-191.0)

POS	Article no.	Description	Quantity	Unit
10	5.332-157.0	Helical spring	1.000	ST
20	5.582-058.0	Valve disc	1.000	ST
30	6.288-072.0	Silicon grease	1.000	ST
40	6.362-422.0	O-Ring seal complete 1ST.-R.	1.000	ST
50	6.362-480.0	O-Ring seal 12,42x 1,78	1.000	ST
60	6.362-496.0	O-Ring seal 17,12X 2,62-NBR 70	1.000	ST
70	6.362-571.0	O-Ring seal complete /1ST.-R	1.000	ST

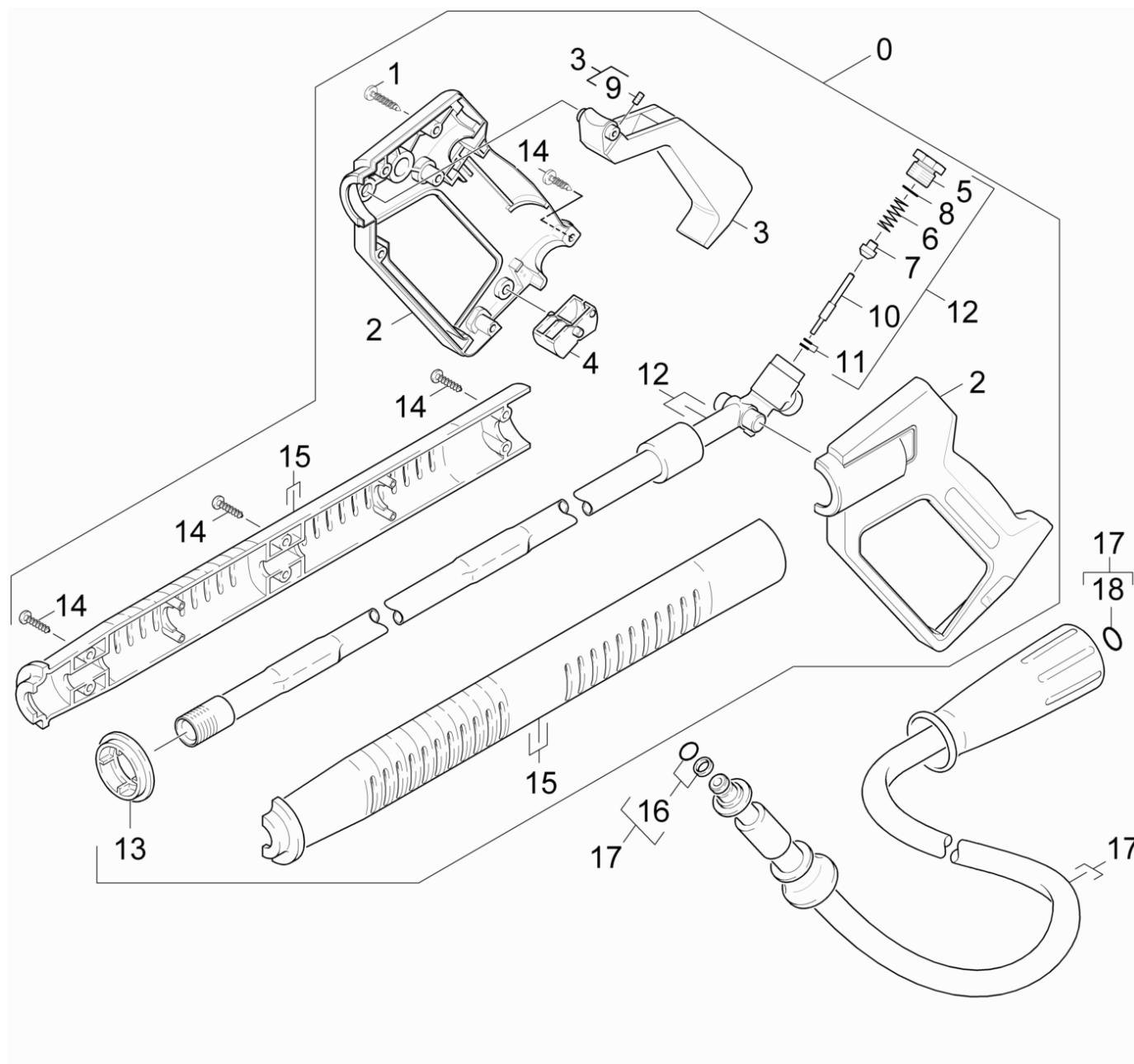


92 Hand trigger gun

POS	Article no.	Description	Quantity	Unit
0	4.775-080.0	Hand trigger gun replacement	1.000	ST
	Item text1: / 1.808-907.0			
1	7.303-096.0	Screw 4x22 -ST-10.9-R2R (IN6RD)	6.000	ST
2	5.321-230.0	Handhold few	1.000	ST
3	4.481-050.0	Lever	1.000	ST
4	5.481-052.0	Lever	1.000	ST
5	5.411-067.0	Screw plug	1.000	ST
6	5.332-157.0	Helical spring	1.000	ST
7	5.582-084.0	Valve disc	1.000	ST
8	6.362-584.0	O-Ring seal 12,42X 1,78	1.000	ST
9	7.307-417.0	Threaded pin M8x16 -45H-A2E ISO 4026	1.000	ST
10	5.107-097.0	Bar	1.000	ST
11	6.362-571.0	O-Ring seal complete /1ST.-R	1.000	ST
12	4.427-131.0	Manifold	1.000	ST
13	6.362-496.0	O-Ring seal 17,12X 2,62-NBR 70	1.000	ST
14	6.303-025.0	Oval head screw 4,2x16-St-vz	1.000	ST
15	6.363-115.0	O-Ring seal complete 1ST.-R.	1.000	ST
16	6.389-853.0	MANGUEIRA DN6 25MPa 10m HD 655 / 790	1.000	ST
	Item text1: / 1.808-907.0			
17	2.880-990.0	Spare part set O-Ring 5x -Kaercher	1.000	ST
100	2.883-192.0	Spare part set 1450HW,1500HWS+SUPE	1.000	ST

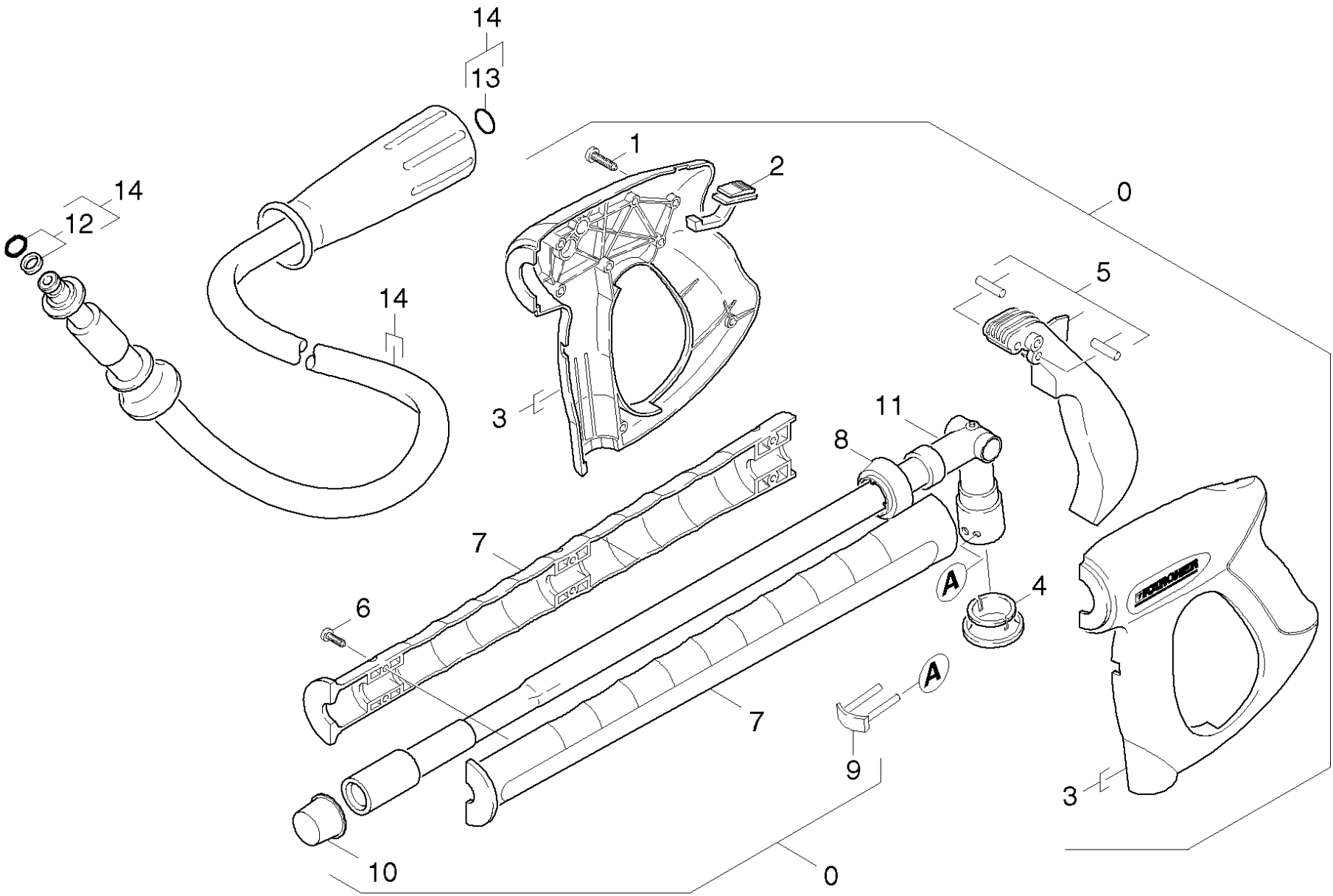
100 Spare part set 1450HW,1500HWS+SUPE (2.883-192.0)

POS	Article no.	Description	Quantity	Unit
10	5.332-157.0	Helical spring	1.000	ST
20	5.582-084.0	Valve disc	1.000	ST
30	6.288-072.0	Silicon grease	1.000	ST
40	6.362-422.0	O-Ring seal complete 1ST.-R.	1.000	ST
50	6.362-496.0	O-Ring seal 17,12X 2,62-NBR 70	1.000	ST
60	6.362-571.0	O-Ring seal complete /1ST.-R	1.000	ST
70	6.362-584.0	O-Ring seal 12,42X 1,78	1.000	ST



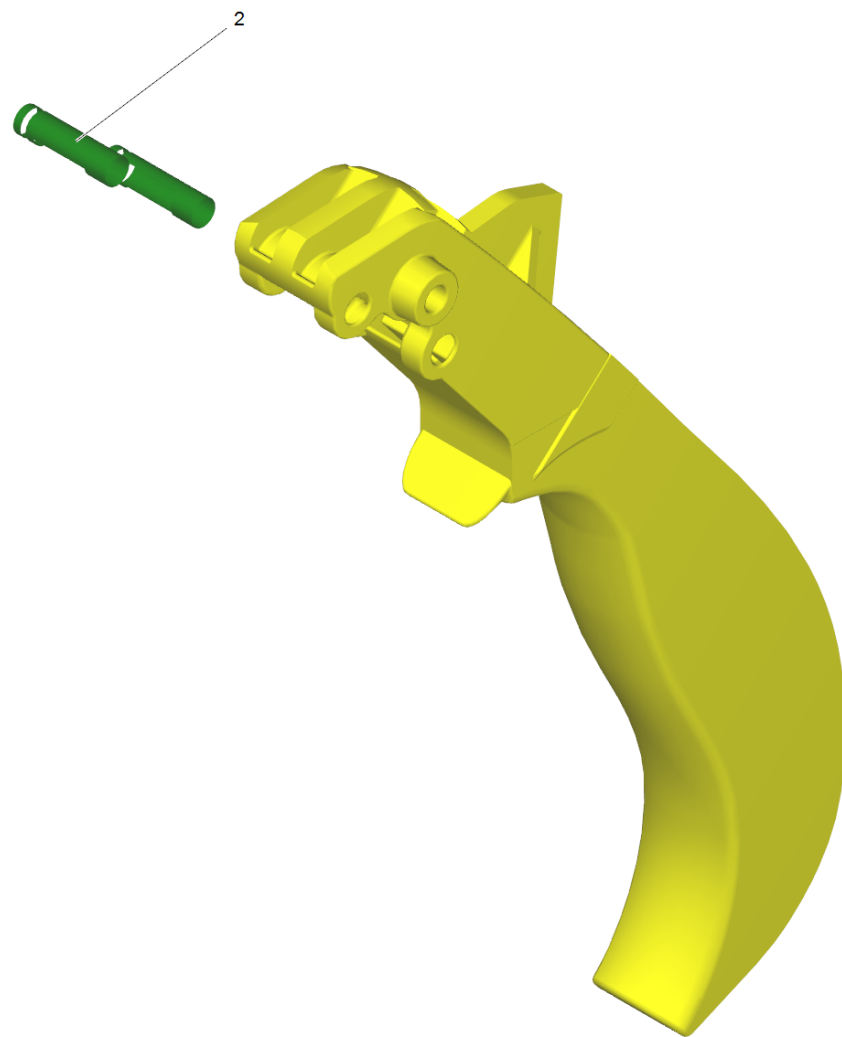
93 Hand trigger gun

POS	Article no.	Description	Quantity	Unit
0	7.777-999.0	Stockpiling discontinued	1.000	ST
1	7.303-096.0	Screw 4x22 -ST-10.9-R2R (IN6RD)	1.000	ST
2	5.321-206.0	Handhold few	1.000	ST
3	4.481-050.0	Lever	1.000	ST
4	5.481-052.0	Lever	1.000	ST
5	5.411-067.0	Screw plug	1.000	ST
6	5.332-157.0	Helical spring	1.000	ST
7	5.582-117.0	Valve disc	1.000	ST
8	6.362-584.0	O-Ring seal 12,42X 1,78	1.000	ST
9	7.307-417.0	Threaded pin M8x16 -45H-A2E ISO 4026	1.000	ST
10	5.107-259.0	Bar	1.000	ST
11	6.362-571.0	O-Ring seal complete /1ST.-R	1.000	ST
12	4.427-179.0	Manifold	1.000	ST
13	5.031-259.0	Moulded part	1.000	ST
14	6.303-025.0	Oval head screw 4,2x16-St-vz	7.000	ST
15	5.322-083.0	Handhold few extended Low End	1.000	ST
16	6.363-115.0	O-Ring seal complete 1ST.-R.	1.000	ST
17	6.389-853.0	MANGUEIRA DN6 25MPa 10m HD 655 / 790	1.000	ST
	Item text1: / 1.187-103.0 / -108.0			
18	2.880-990.0	Spare part set O-Ring 5x -Kaercher	1.000	ST



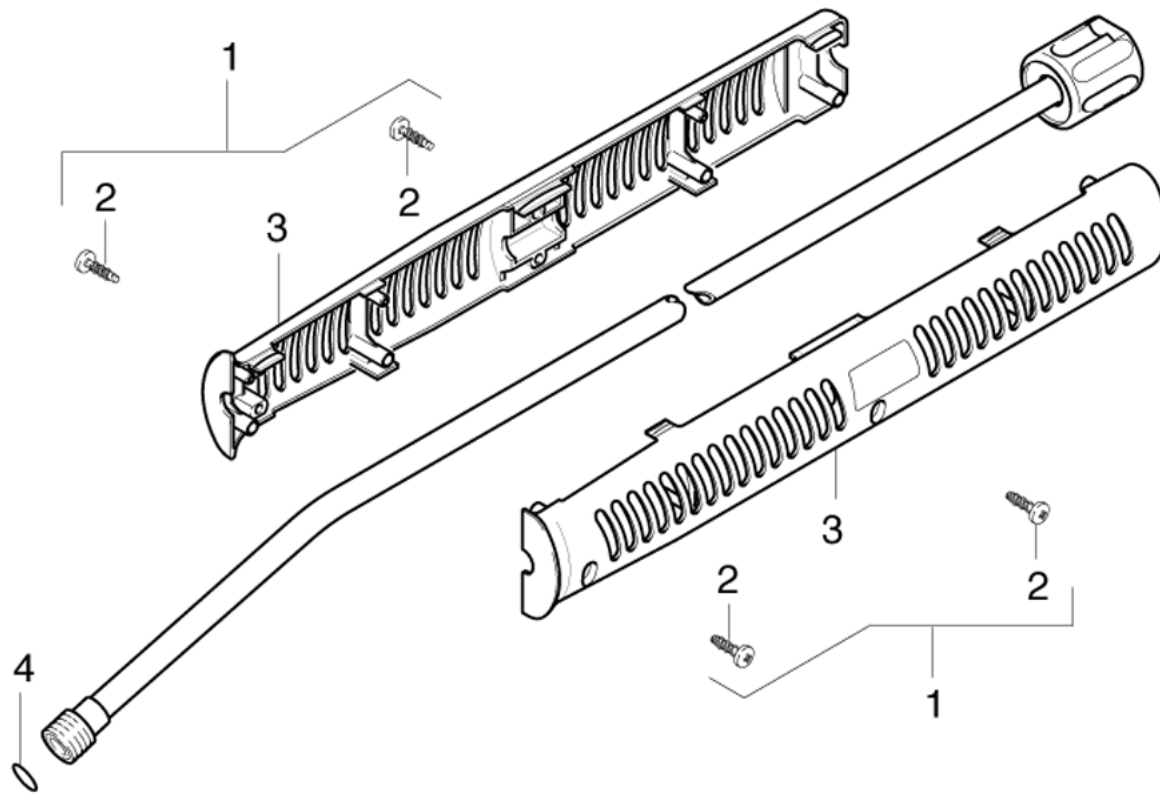
94 Hand trigger gun

POS	Article no.	Description	Quantity	Unit
0	4.775-554.0	Hand trigger gun Low End Nippel 10	1.000	ST
1	7.303-096.0	Screw 4x22 -ST-10.9-R2R (IN6RD)	7.000	ST
2	5.481-331.0	Slider	1.000	ST
3	5.322-082.0	Handhold few hand trigger gun Low End	1.000	ST
4	5.110-596.0	Sleeve	1.000	ST
5	4.481-209.0	Lever complete	1.000	ST
6	7.303-129.0	Screw 4x16 -10.9-R2R (K-In6Rd)	6.000	ST
7	5.322-083.0	Handhold few extended Low End	1.000	ST
8	5.032-801.0	Moulded part	1.000	ST
9	4.037-013.0	Hook	1.000	ST
10	6.368-012.0	Protecting cap 22X1,5	1.000	ST
11	4.427-004.0	Manifold complete for replacement LowEnd	1.000	ST
12	6.363-115.0	O-Ring seal complete 1ST.-R.	1.000	ST
13	2.880-990.0	Spare part set O-Ring 5x -Kaercher	1.000	ST
14	6.389-853.0	MANGUEIRA DN6 25MPa 10m HD 655 / 790	1.000	ST



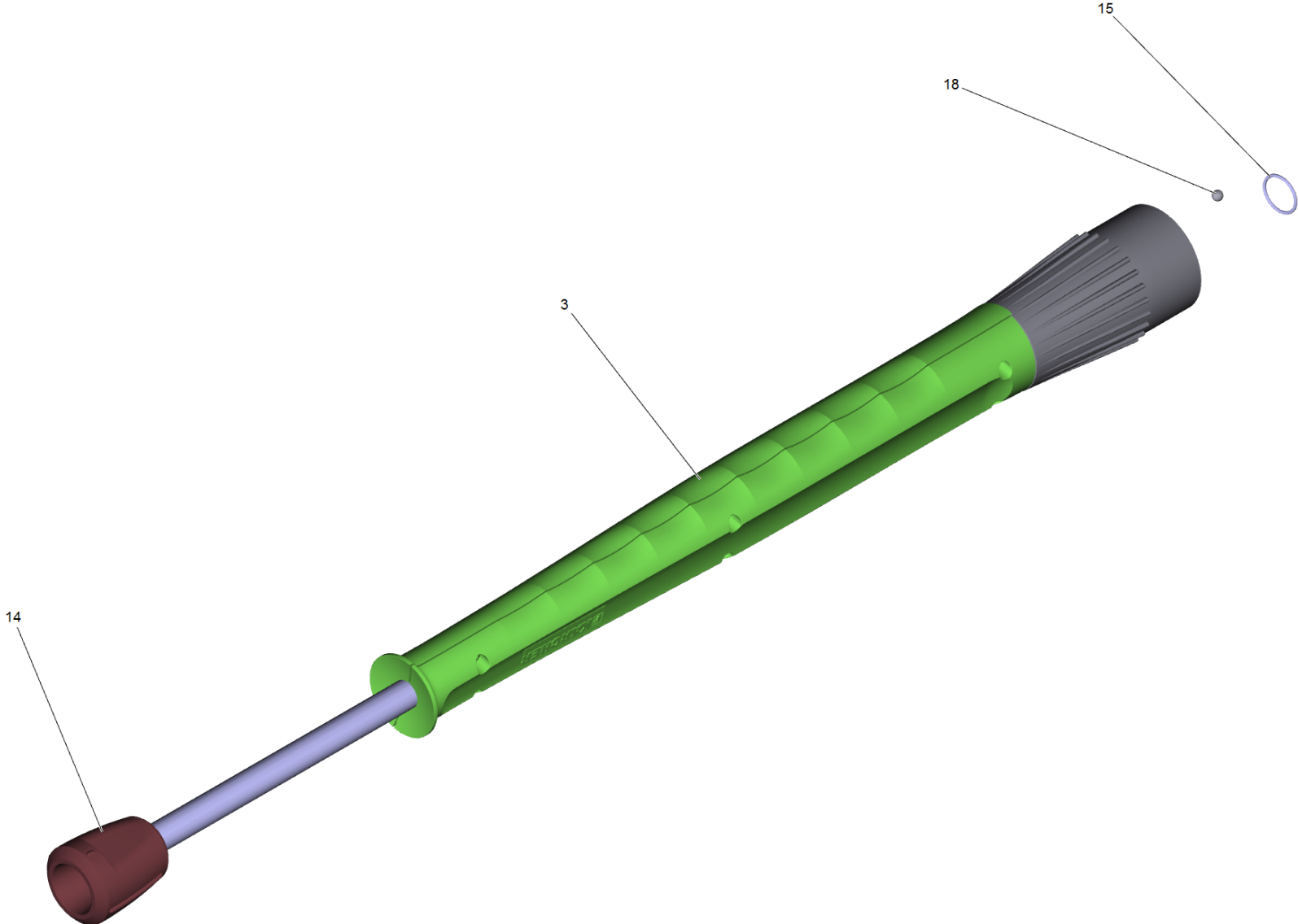
5 Lever complete (4.481-209.0)

POS	Article no.	Description	Quantity	Unit
2	5.314-119.0	Pin	2.000	ST



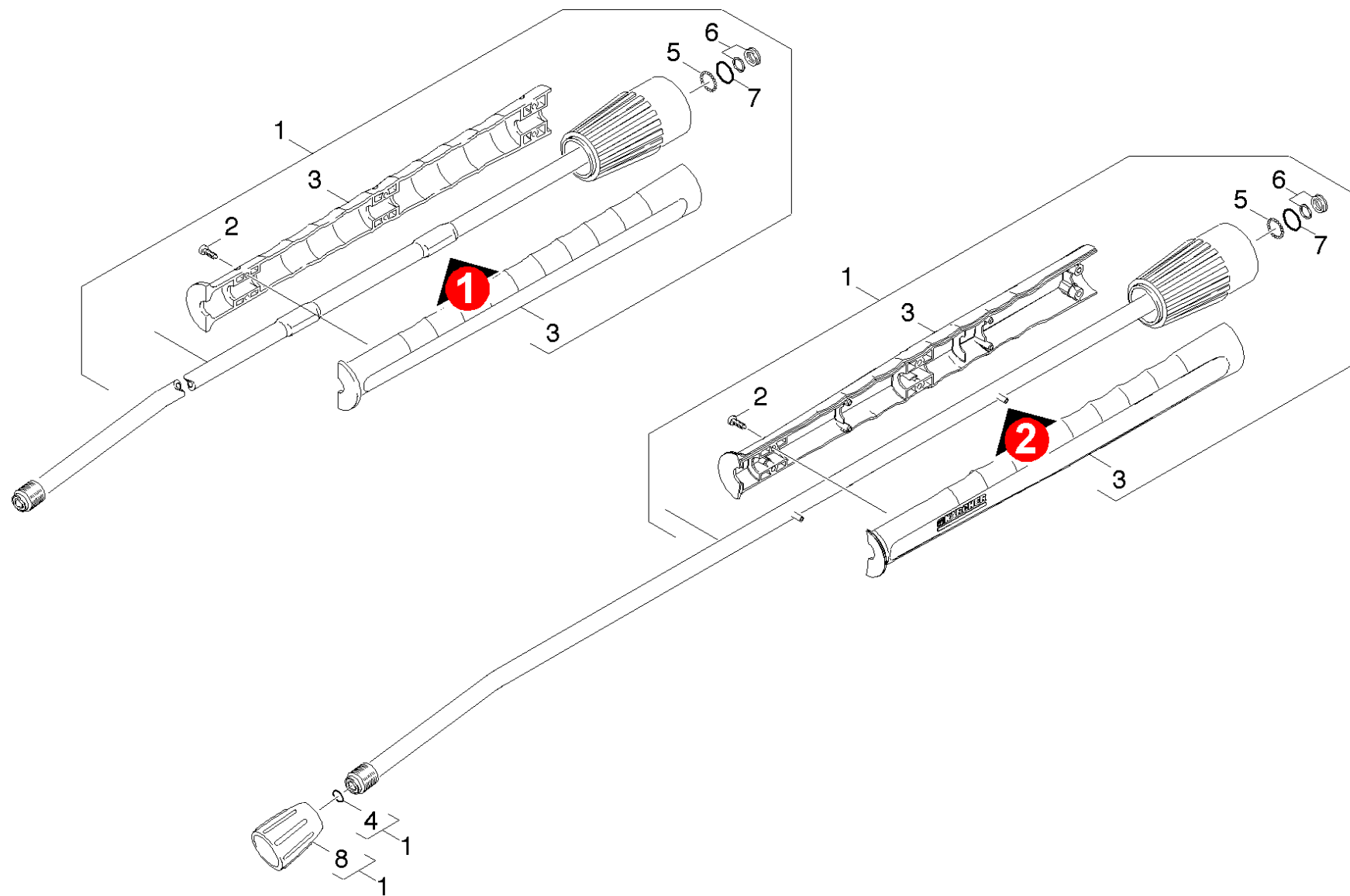
95 Jet pipe

POS	Article no.	Description	Quantity	Unit
1	4.760-660.0	Jet pipe packaged only for replacement	1.000	ST
2	6.303-025.0	Oval head screw 4,2x16-St-vz	4.000	ST
3	5.321-150.0	HANDLE (PART NO=ONE HALF)	2.000	ST
4	2.880-990.0	Spare part set O-Ring 5x -Kaercher	1.000	ST



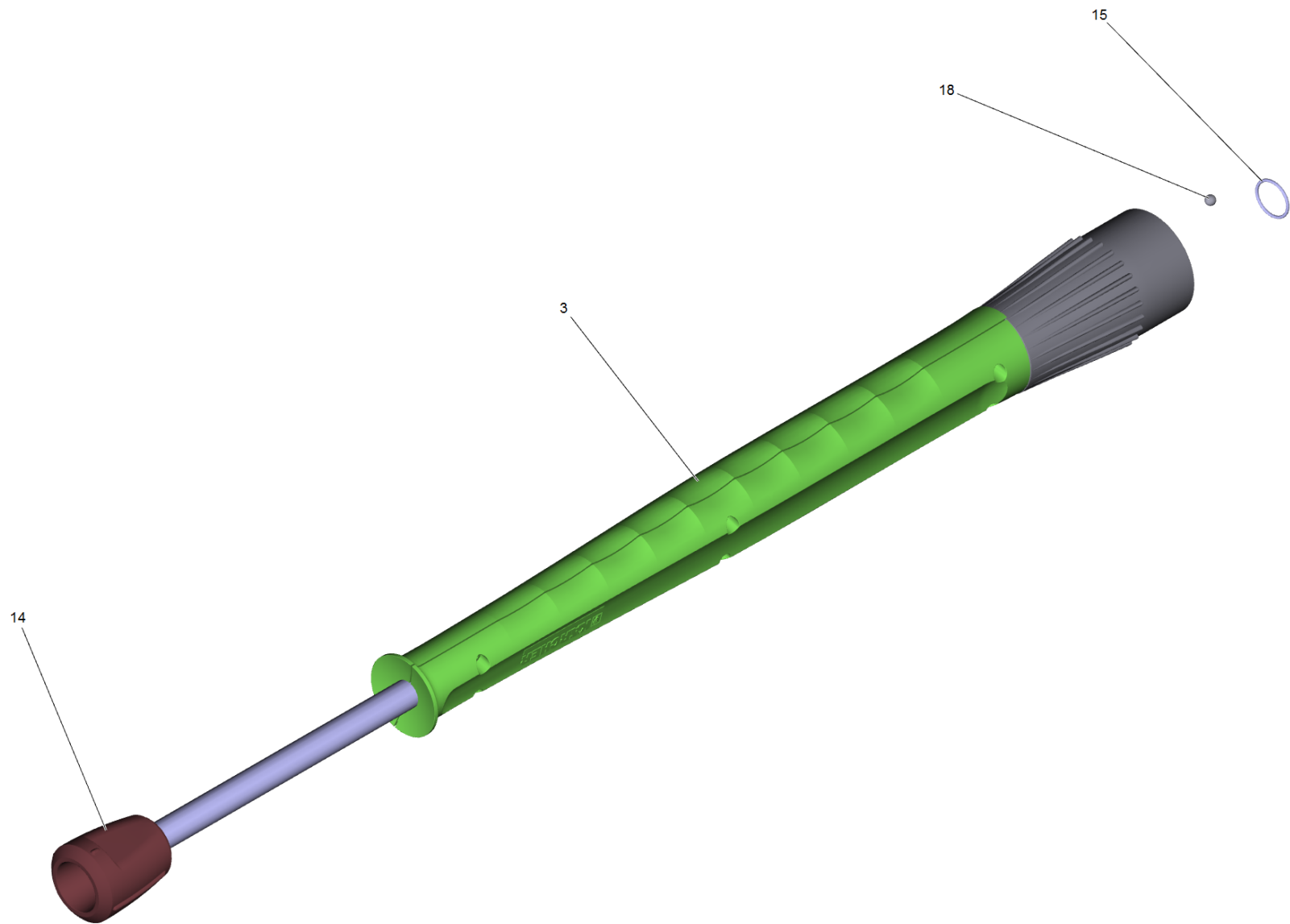
1 Jet pipe packaged only for replacement (4.760-660.0)

POS	Article no.	Description	Quantity	Unit
3	5.321-855.0	Handhold few jet pipe with welding bolt	1.000	ST
14	5.401-210.0	Screw connector part	1.000	ST
15	7.362-501.0	O-Ring seal 10x2 EPDM 70 DIN 3770	1.000	ST
18	7.401-915.0	Sphere 2,5 G20 -1.4034 DIN 5401	1.000	ST



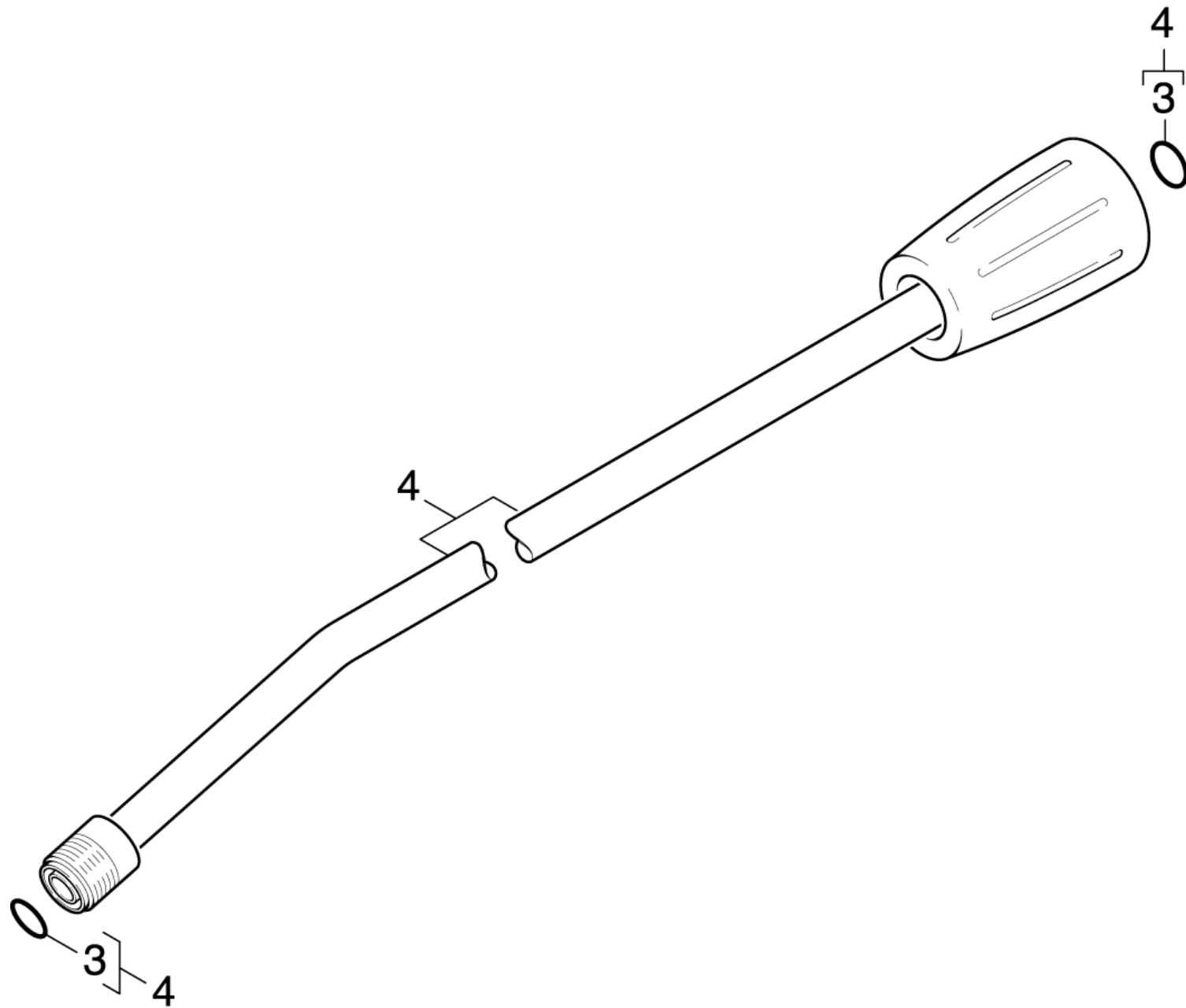
96 Jet pipe

POS	Article no.	Description	Quantity	Unit	Remark
1	4.760-660.0	Jet pipe packaged only for replacement	1.000	ST	
2	7.303-129.0	Screw 4x16 -10.9-R2R (K-In6Rd)	6.000	ST	
3	5.321-855.0	Handhold few jet pipe with welding bolt	1.000	ST	VERSION 2
3	5.321-691.0	Handhold few jet pipe	1.000	ST	VERSION 1
4	2.880-990.0	Spare part set O-Ring 5x -Kaercher	1.000	ST	
5	7.401-915.0	Sphere 2,5 G20 -1.4034 DIN 5401	20.000	ST	
6	4.363-692.0	Grooved ring kpl. -nur fuer Ersatz-	1.000	ST	
7	6.362-524.0	O-Ring seal 17,0 X 1,5	1.000	ST	
8	5.401-129.0	Screw connector part	1.000	ST	



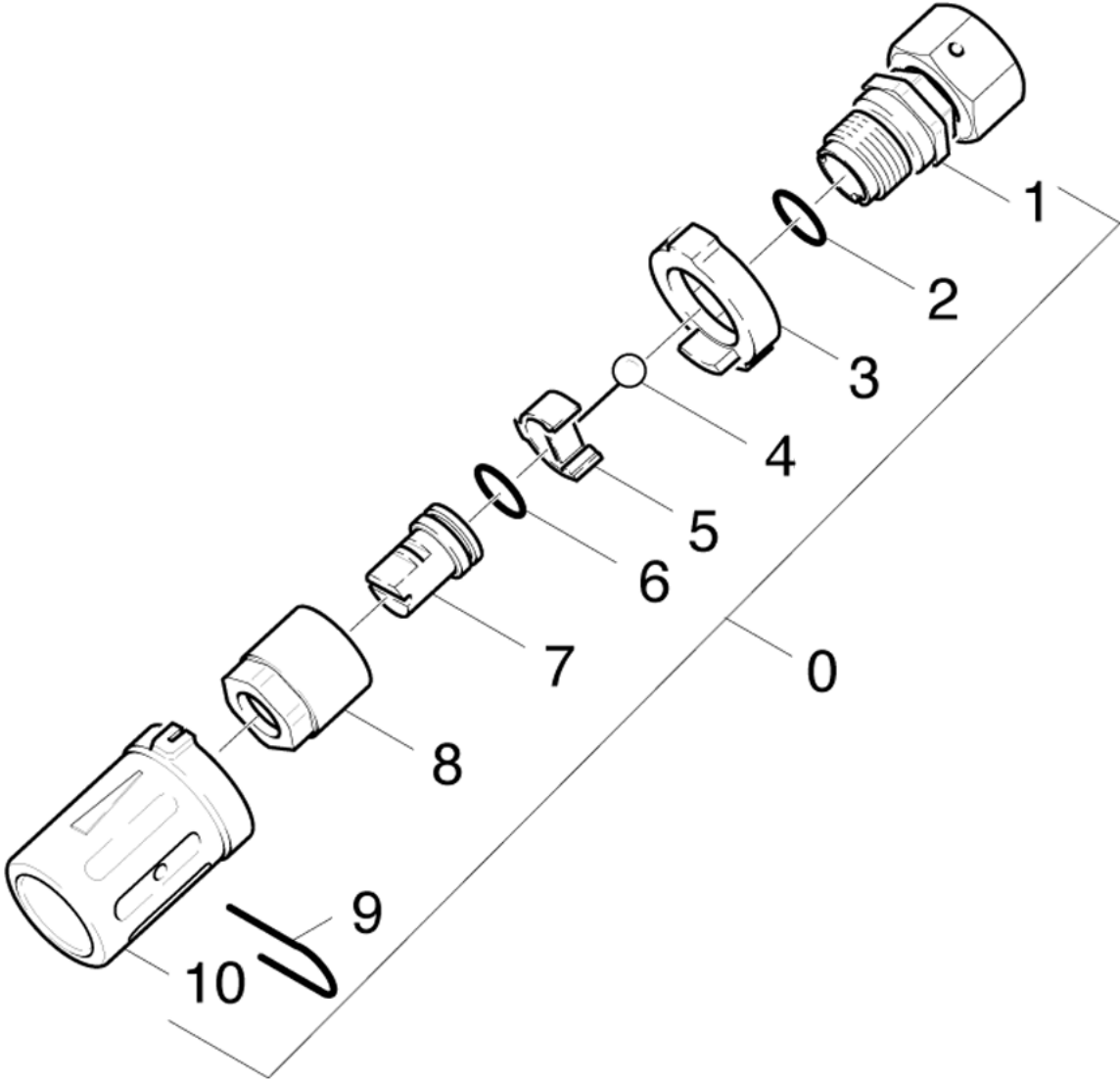
1 Jet pipe packaged only for replacement (4.760-660.0)

POS	Article no.	Description	Quantity	Unit
3	5.321-855.0	Handhold few jet pipe with welding bolt	1.000	ST
14	5.401-210.0	Screw connector part	1.000	ST
15	7.362-501.0	O-Ring seal 10x2 EPDM 70 DIN 3770	1.000	ST
18	7.401-915.0	Sphere 2,5 G20 -1.4034 DIN 5401	1.000	ST



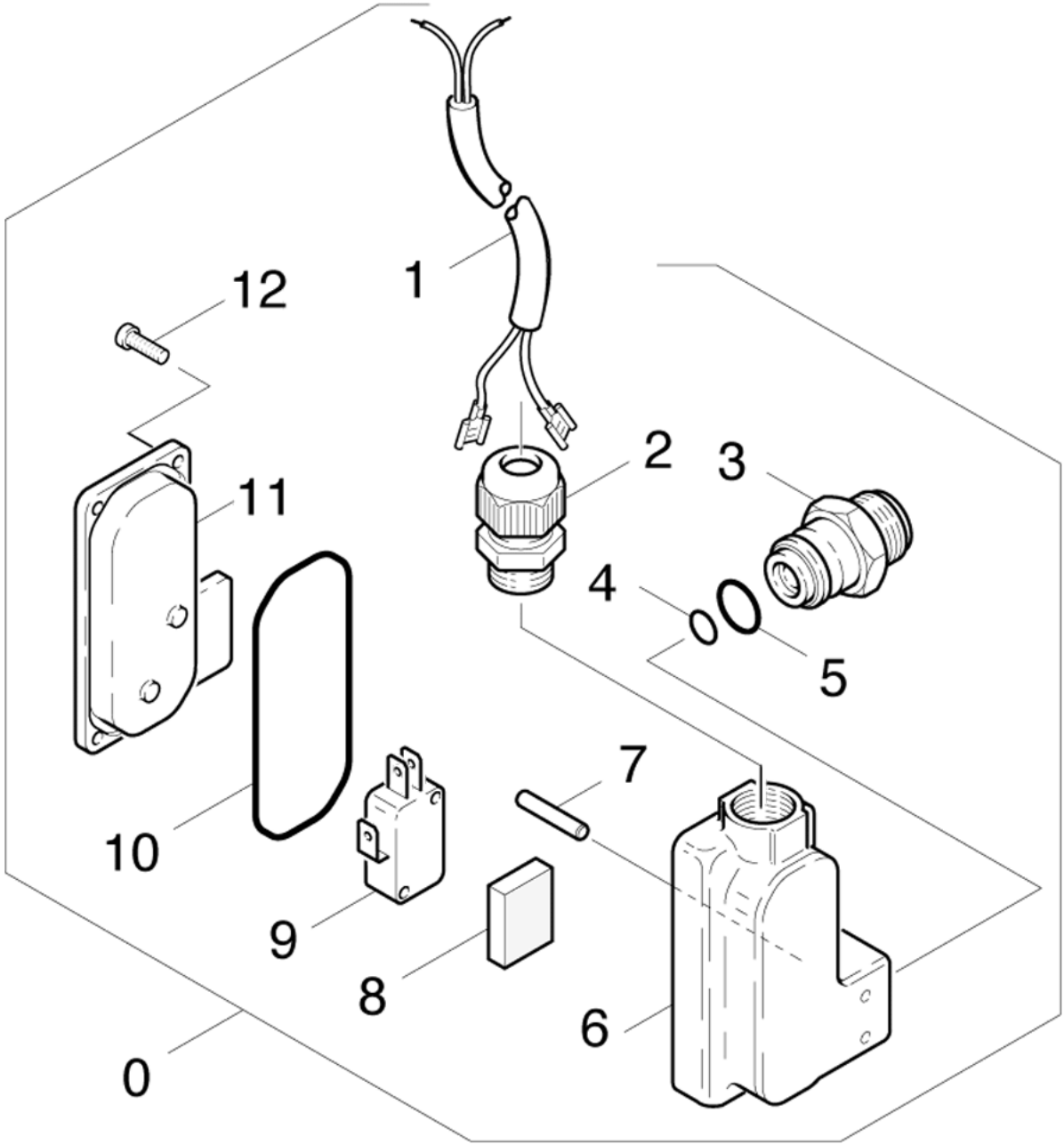
97 Jet pipe

POS	Article no.	Description	Quantity	Unit
3	2.880-990.0	Spare part set O-Ring 5x -Kaercher	1.000	ST
4	4.760-665.0	Jet pipe packaged only for replacement	1.000	ST



98 Nozzle

POS	Article no.	Description	Quantity	Unit
0	4.763-108.0	Spezial nozzle 045/30	1.000	ST
1	7.777-999.0	Stockpiling discontinued	1.000	ST
2	6.362-460.0	O-Ring seal 14,0 X 2,5-NBR 70	1.000	ST
3	5.030-383.0	Moulded part	1.000	ST
4	7.401-918.0	Sphere 6 G300 -1.4301 DIN 5401	1.000	ST
5	5.042-283.0	Holder	1.000	ST
6	6.362-480.0	O-Ring seal 12,42x 1,78	1.000	ST
7	5.415-606.0	Triple jet nozzle 045	1.000	ST
8	5.311-117.0	Hexagon nut	1.000	ST
9	5.037-035.0	Hook	1.000	ST
10	5.394-155.0	Protection part	1.000	ST



110 Pressure switch

POS	Article no.	Description	Quantity	Unit
0	4.747-068.0	Pressure switch complete	1.000	ST
1	4.820-770.0	Cable	1.000	ST
2	6.641-355.0	Cable gland PG9	1.000	ST
3	5.305-213.0	Shaped screw	1.000	ST
4	6.362-175.0	O-Ring seal 5,28x 1,78	1.000	ST
5	6.362-078.0	O-Ring seal 13,3x2,4	1.000	ST
6	5.060-367.0	Housing	1.000	ST
7	7.314-630.0	Straight grooved pin 4,0x20-CU2 ISO 874	2.000	ST
8	5.365-156.0	Sealing tape cellularrubber	1.000	ST
9	6.631-753.0	Micro switch	1.000	ST
10	6.362-691.0	O-Ring seal	1.000	ST
11	5.063-412.0	Cover	1.000	ST
12	6.303-058.0	Oval head screw 2,9X 13-ST-VERZ	4.000	ST