

Spare parts list (3.631-039.0) HKF 50 M

Table of contents

HKF 50 M (3.631-039.0)	3
MANUAL HKF 50M (4.950-069.0)	4
2 Spare parts list HKF 50M (5.952-067.0)	5
10 Transmission	6
20 Rotary cleaner head	8
30 Holder	11

HKF 50 M (3.631-039.0)

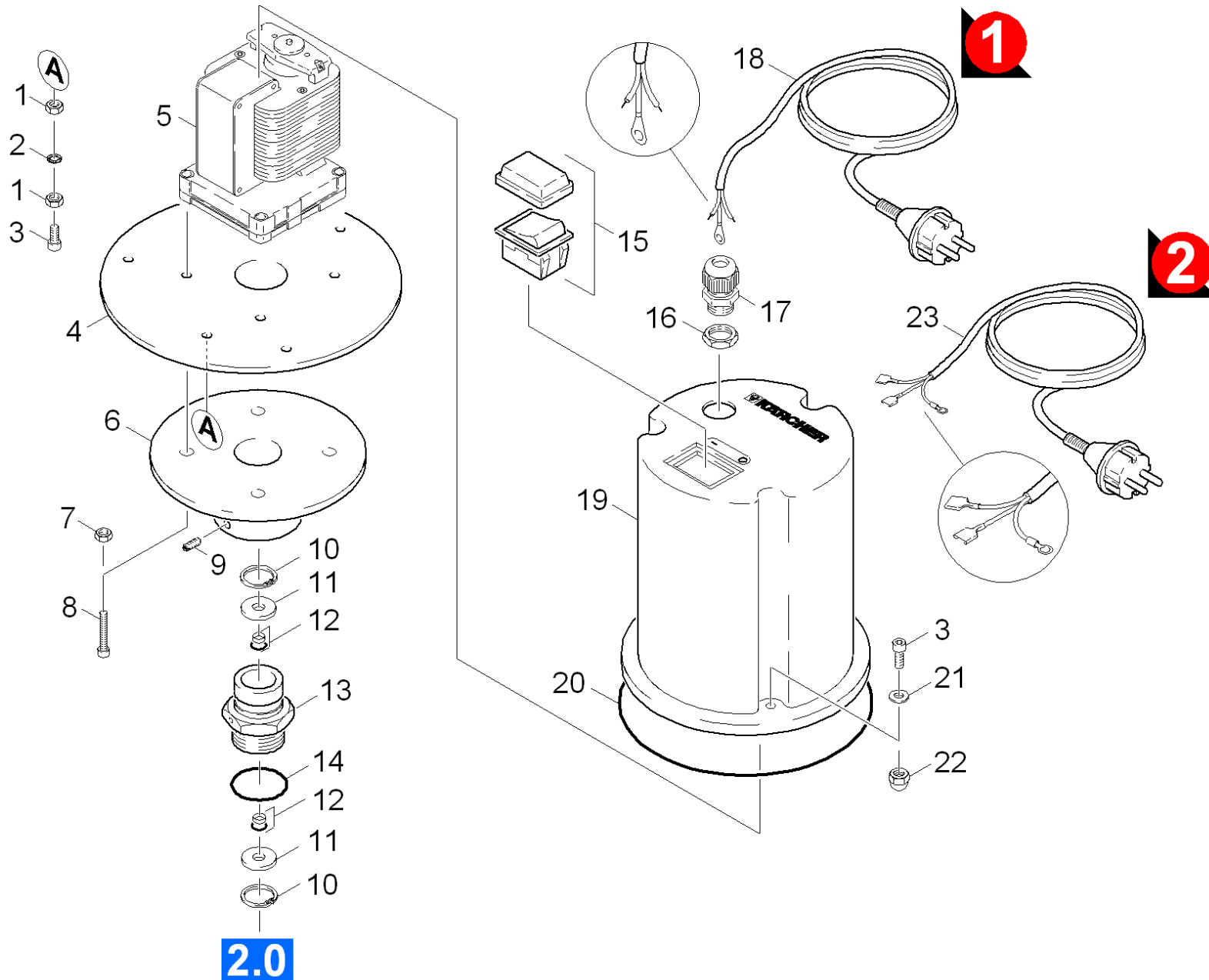
POS	Article no.	Description	Quantity	Unit
0	4.950-069.0	MANUAL HKF 50M	1.000	ST
	Item text2: 36310390			

MANUAL HKF 50M (4.950-069.0)

POS	Article no.	Description	Quantity	Unit
2	5.952-067.0	Spare parts list HKF 50M	1.000	ST
	Item text2: 49500690			

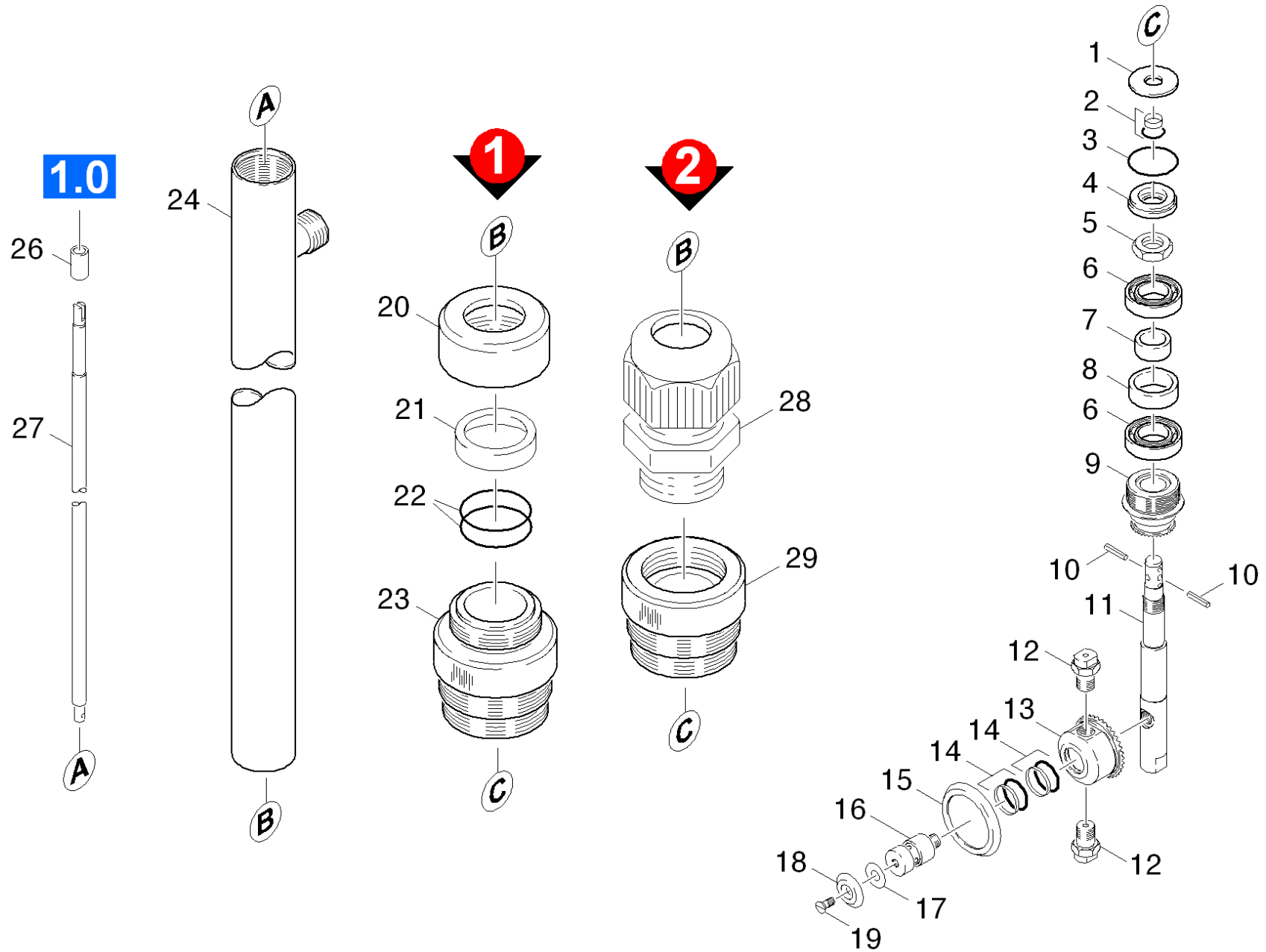
2 Spare parts list HKF 50M (5.952-067.0)

POS	Description	Quantity	Unit
30	Holder	1.000	ST
20	Rotary cleaner head	1.000	ST
10	Transmission	1.000	ST



10 Transmission

POS	Article no.	Description	Quantity	Unit
17	6.641-357.0	Cable gland PG11	1.000	ST
18	6.641-672.0	Cable with plug 5,0M	1.000	ST
23	6.649-881.0	Cable with plug receptacles for tabs	1.000	ST
22	7.311-385.0	Cap nut M 5-A1-50 DIN 1587	3.000	ST
19	5.063-265.0	Cover	1.000	ST
4	5.050-079.0	Cover plate	1.000	ST
6	4.122-132.0	Flange complete HKF 50	1.000	ST
5	6.612-107.0	Gear motor	1.000	ST
7	7.311-421.0	Hexagon nut M 5-04-A2E DIN 985	4.000	ST
1	7.311-037.0	Hexagon nut M 5-CU2 ISO 4032	2.000	ST
10	7.343-153.0	Locking ring 20x1 -Rf-St DIN 472	2.000	ST
16	6.641-367.0	Locknut PG11	1.000	ST
14	6.362-551.0	O-Ring seal 26,64X 2,62-NBR 70	1.000	ST
20	6.362-494.0	O-Ring seal 130,0 X 3,0-NBR 70	1.000	ST
12	6.362-364.0	O-Ring seal complete 7,0 1ST-R.	2.000	ST
3	7.306-182.0	Pan head screw M5x16 -A2-70 ISO 14583	4.000	ST
8	7.306-184.0	Screw M5x30 -A2-70 (In6Rd)	4.000	ST
13	5.402-573.0	Screw union	1.000	ST
2	7.312-231.0	Serrated lock washer A5,3 -FSt-A3E DIN6	1.000	ST
15	2.642-394.0	Spare part set switch cable	1.000	ST
9	7.307-409.0	Threaded pin M5x6 -A2-21H ISO 4026	1.000	ST
11	5.115-322.0	Washer	2.000	ST
21	7.312-032.0	Washer 5-CuZn-E2E ISO7090	3.000	ST

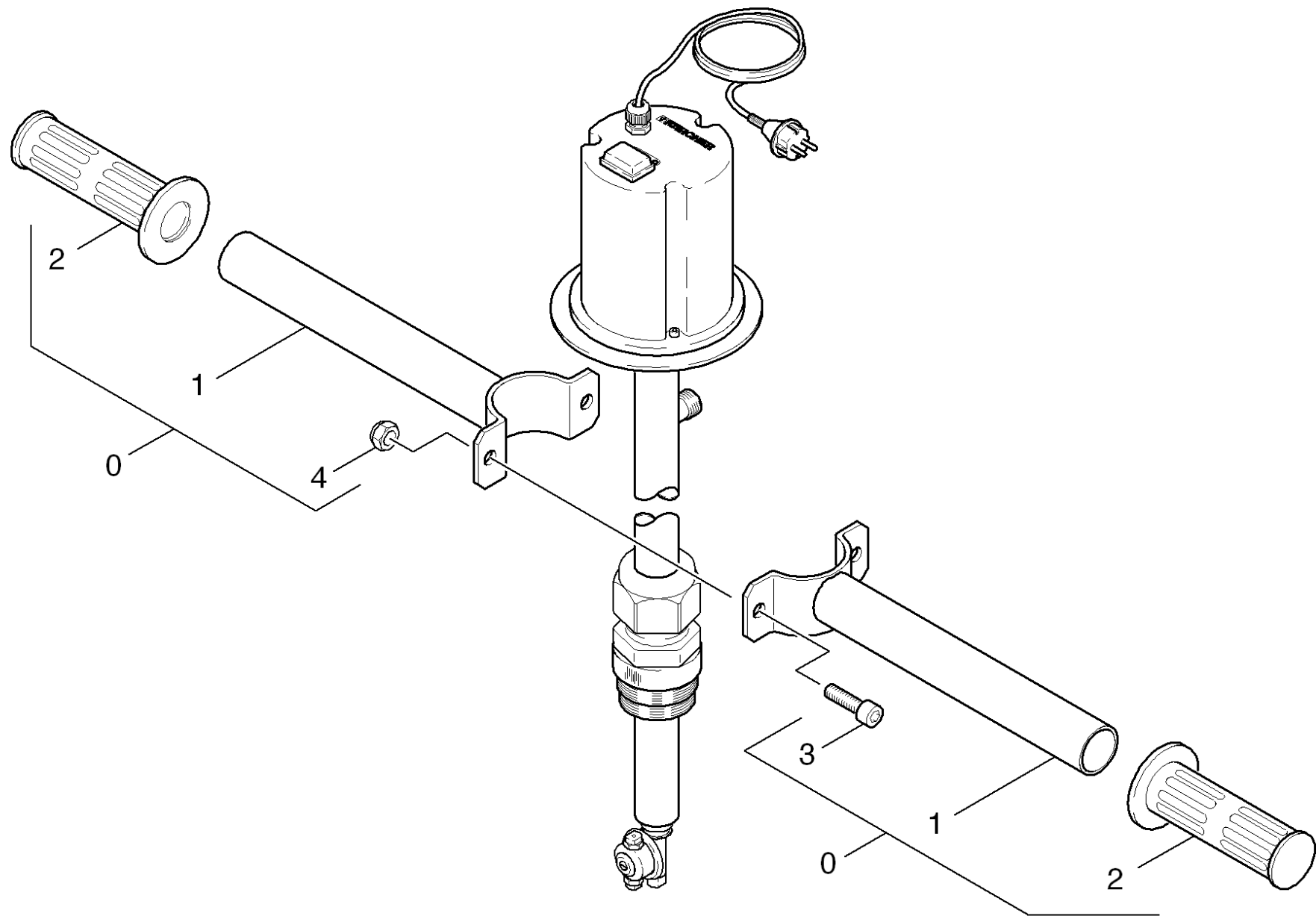


20 Rotary cleaner head

POS	Article no.	Description	Quantity	Unit	Remark
13	5.354-007.0	Angular wheel	1.000	ST	
9	5.354-008.0	Angular wheel	1.000	ST	
16	5.106-023.0	Axle stub	1.000	ST	
6	6.401-363.0	Ball bearing	2.000	ST	
28	6.648-404.0	Cable gland black M50x1,5	1.000	ST	
19	7.305-039.0	Countersunk screw M 5x 8-1.4301 ISO 200	1.000	ST	
5	5.311-093.0	Hexagon nut M12x1,0	1.000	ST	
21	5.030-443.0	Moulded part	1.000	ST	
12	6.415-444.0	Nozzle 0G 03 1/8"	2.000	ST	
12	6.415-446.0	Nozzle 00045	1.000	ST	
12	6.415-445.0	Nozzle 00055 1/8Z	1.000	ST	
12	6.415-447.0	Nozzle 0009	1.000	ST	
20	5.310-071.0	Nut	1.000	ST	
3	6.362-522.0	O-Ring seal 24,0 X 2,0	1.000	ST	
22	6.363-315.0	O-Ring seal 35,0 x 5-NBR	2.000	ST	
2	6.362-214.0	O-Ring seal complete 10,0	1.000	ST	
14	6.362-523.0	O-Ring seal complete 16,0	2.000	ST	
17	5.005-205.0	Ronde	1.000	ST	
29	5.402-739.0	Screw union	1.000	ST	
	Item text1: //3.631-039.0				
29	5.402-740.0	Screw union	1.000	ST	
	Item text1: //3.631-058.0				
23	5.402-718.0	Screw union	1.000	ST	
	Item text1: //3.631-058.0				
23	5.402-323.0	Screw union	1.000	ST	
	Item text1: //3.631-039.0				
27	5.100-069.0	Shaft	1.000	ST	955 MM
11	5.100-068.0	Shaft	1.000	ST	
27	5.100-394.0	Shaft	1.000	ST	265 MM
4	5.110-264.0	Sleeve	1.000	ST	
7	5.110-263.0	Sleeve	1.000	ST	
8	5.110-262.0	Sleeve	1.000	ST	
10	7.314-970.0	Spring pin 2,5x12-1.4310 ISO 8752	2.000	ST	

20 Rotary cleaner head

POS	Article no.	Description	Quantity	Unit	Remark
12	7.777-999.0	Stockpiling discontinued	1.000	ST	
24	4.025-112.0	Tube	1.000	ST	990 MM
26	5.026-441.0	Tube	1.000	ST	
24	4.025-755.0	Tube	1.000	ST	300 MM
15	5.115-323.0	Washer	1.000	ST	
18	5.115-335.0	Washer	1.000	ST	
1	5.115-321.0	Washer	1.000	ST	



30 Holder

POS	Article no.	Description	Quantity	Unit
1	4.042-212.0	BRACKET	2.000	ST
4	7.311-400.0	Cap nut M 6-CU3-E2E DIN 1587	2.000	ST
0	2.863-036.0	DOUBLE HANDLE	1.000	ST
2	6.439-019.0	HANDLE	2.000	ST
3	7.306-191.0	Screw M6x10 -A2-70 (In6Rd)	2.000	ST