

Spare parts list

(1.286-327.0) HD 10/21 4SX PLUS*EU-I

Table of contents

HD 10/21 4SX PLUS*EU-I (1.286-327.0)	5
Spare parts list HD 10/21 S (5.960-807.0)	6
10 Individual parts	7
11 Housing	8
21 Frame complete (4.050-601.0)	11
12 Hose reel	13
20 Pump set	15
21 Cylinder head	16
3 SPARE PARTS SET (2.883-988.0)	19
12 Overflow valve -nur fuer Ersatz- (2.885-129.0)	21
28 Nozzle insert complete (4.769-000.0)	23
100 PUMP SET HD 1095 (2.883-902.0)	25
10 Valve (3 Stueck) (2.884-512.0)	27
20 Valve complete (4.580-594.0)	29
22 Cylinder head	31
3 SPARE PARTS SET (2.883-988.0)	34
12 Spare part set overflow valve (2.885-385.0)	36
28 Nozzle insert complete (4.769-000.0)	38
100 PUMP SET HD 1095 (2.883-902.0)	40
10 Valve (3 Stueck) (2.884-512.0)	42
20 Valve complete (4.580-594.0)	44
23 Piston	46
24 Valves	48
4 Manifold complete (4.427-216.0)	50
25 Water filter	52
5 Filter complete (4.730-161.0)	54
30 Motor	56
40 Accessories	58
41 Hand trigger gun	59
1 Rotary controller 416L (4.775-470.0)	61
5 HAND TRIGGER GUN EASY PRESS (4.775-463.0)	63
9002 Lever complete (4.481-209.0)	65
8 Lever complete (4.481-209.0)	67
13 Hose assembly only for replacement DN8 4 (6.391-351.0)	69
42 Hand trigger gun	71
1 Rotary controller 416L (4.775-470.0)	73
5 Hand trigger gun (4.775-466.0)	75
60 Adapter pipelines AVS-M22x1,5 (4.421-739.3)	77

Table of contents

9002 Lever complete (4.481-209.0)	79
8 Lever complete (4.481-209.0)	81
13 Adapter pipelines AVS-M22x1,5 (4.421-739.3)	83
43 Jet pipe	85
1 Jet pipe packaged only for replacement (4.760-660.0)	87
9 Power nozzle 25050 (2.883-399.0)	89
9 Power nozzle 25055 (2.883-401.0)	91
9 Power nozzle 25250 (2.884-521.0)	92
10 Dirt blaster 055/06 (4.763-250.0)	93
11 Spare parts list dirt blaster (5.955-641.0)	94
10 Dirt blaster	95
Spare part set rotor 170 (2.881-025.0)	98
Spare part set dirt blaster 04-HD 1050 (2.883-471.0)	100
Spare part set dirt blaster 05 (2.883-472.0)	102
Spare part set dirt blaster 055/06 (2.883-473.0)	104
Spare part set dirt blaster 07/08-HDS 8 (2.883-474.0)	106
Spare part set dirt blaster 120 (2.884-051.0)	108
Spare part set dirt blaster 035 (2.884-052.0)	110
Spare part set dirt blaster 045 (2.884-113.0)	112
Spare part set dirt blaster 09 (2.884-316.0)	114
Spare parts set rotor 100 (2.885-196.0)	116
10 Dirt blaster 05 (4.763-253.0)	118
11 Spare parts list dirt blaster (5.955-641.0)	119
10 Dirt blaster	120
Spare part set rotor 170 (2.881-025.0)	123
Spare part set dirt blaster 04-HD 1050 (2.883-471.0)	125
Spare part set dirt blaster 05 (2.883-472.0)	127
Spare part set dirt blaster 055/06 (2.883-473.0)	129
Spare part set dirt blaster 07/08-HDS 8 (2.883-474.0)	131
Spare part set dirt blaster 120 (2.884-051.0)	133
Spare part set dirt blaster 035 (2.884-052.0)	135
Spare part set dirt blaster 045 (2.884-113.0)	137
Spare part set dirt blaster 09 (2.884-316.0)	139
Spare parts set rotor 100 (2.885-196.0)	141
44 Double jet pipe	143
Double jet pipe (6.394-665.0)	145
999 Spare parts list double jet pipe (5.970-982.0)	146
10 Jet pipe	147

Table of contents

5 Power nozzle 25250 (2.884-521.0)	149
45 Foam lance and quick-fitting pipe union	150
5 Quick-fitting pipe union complete (6.401-458.0)	152
999 Spare parts list quick-fitting pipe unio (5.963-663.0)	153
10 Quick-fitting pipe union	154
46 Nozzle	156
Triple jet nozzle with packing 05 (4.767-065.0)	158
2 Spare parts list triple jet nozzle (5.970-000.0)	159
10 Triple jet nozzle	160
17 Nozzle holder 055 (4.764-159.0)	162
50 Electric box	163

HD 10/21 4SX PLUS*EU-I (1.286-327.0)

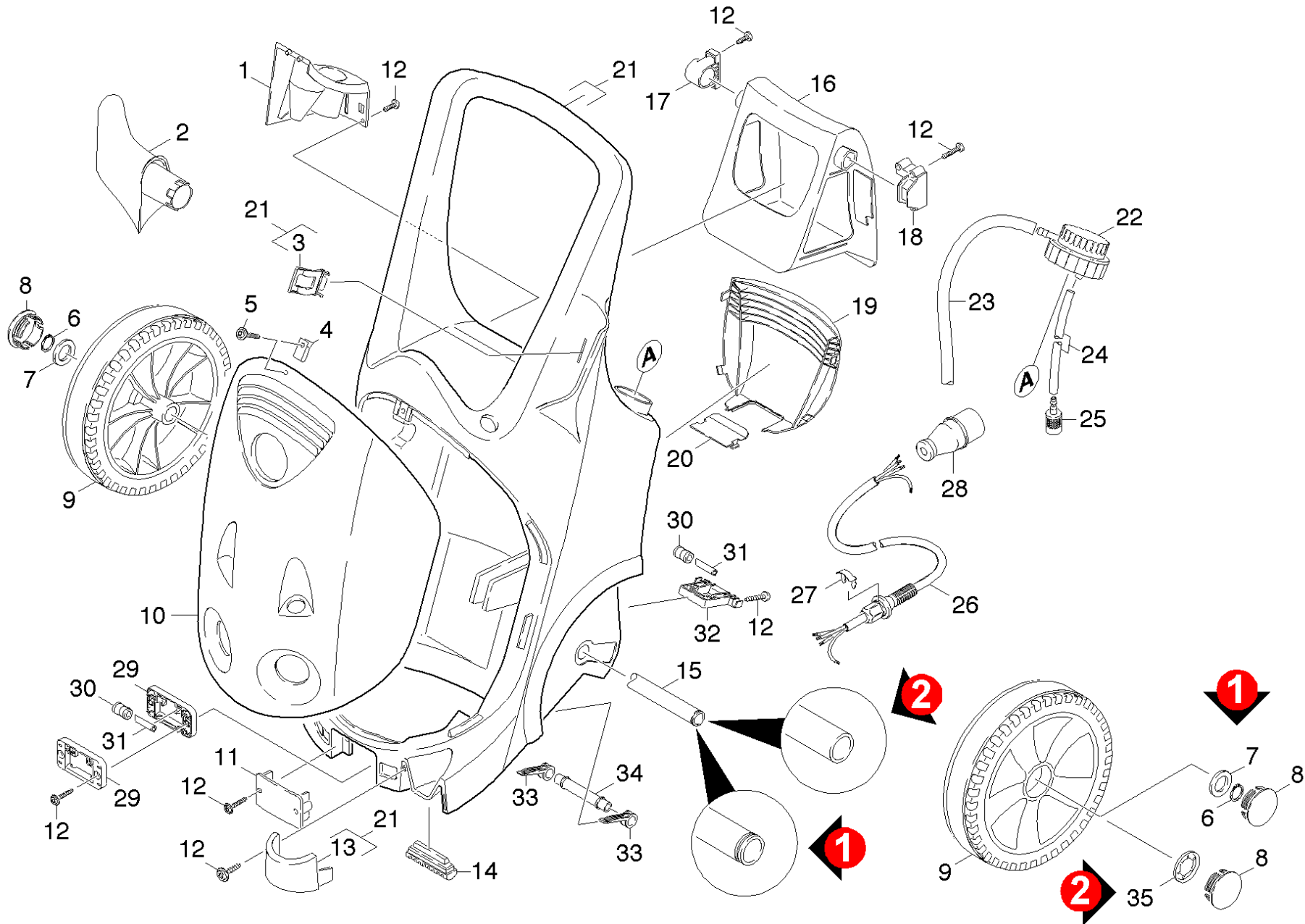
POS	Article no.	Description	Quantity	Unit
0	5.960-807.0	Spare parts list HD 10/21 S	1	PC
Item text2: 3EDCB89FADFE710AE1000000C34F56CF12861010				

Spare parts list HD 10/21 S (5.960-807.0)

POS	Description	Quantity	Unit
10	Individual parts	1	PC
20	Pump set	1	PC
30	Motor	1	PC
40	Accessories	1	PC
50	Electric box	1	PC

10 Individual parts

POS	Description	Quantity	Unit
11	Housing	1	PC
12	Hose reel	1	PC

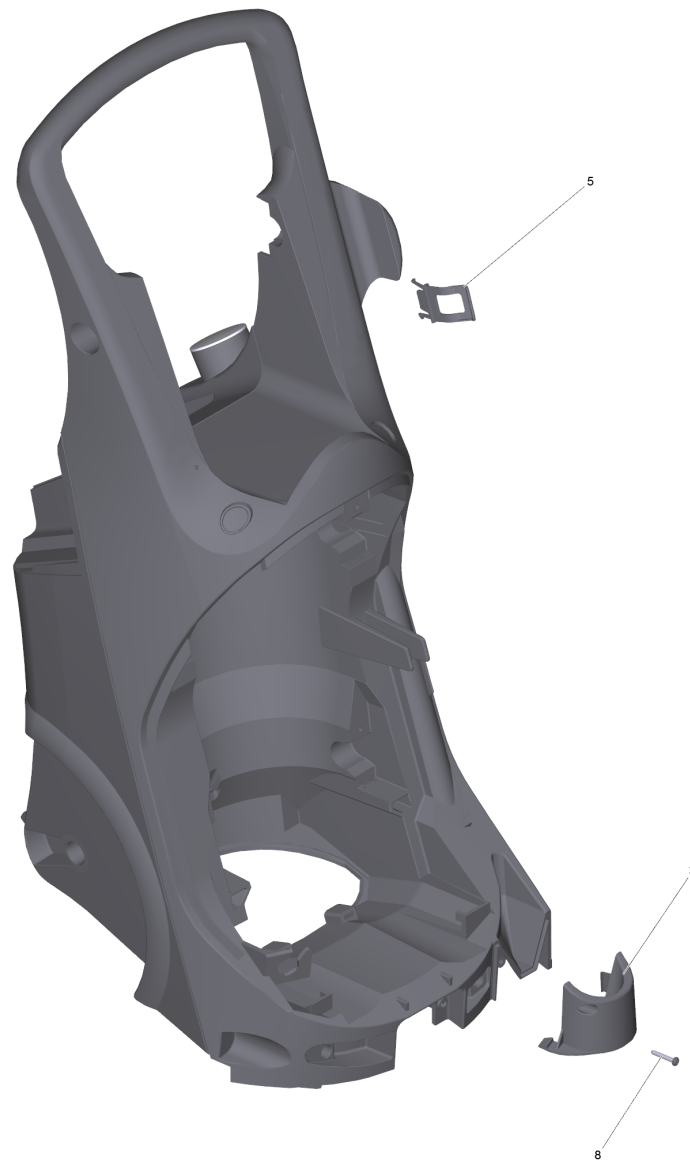


11 Housing

POS	Article no.	Description	Quantity	Unit	Remark	Foot note text
1	5.667-061.0	Nozzle holder	1	PC		
2	5.044-668.0	Holder	1	PC		
	Item text1: 1.286-114.0 /-320.0 /-321.0 /-322.0 /-323.0 /-325.0 /-326.0 /-328.0 /-329.0 / -331.0 /					
3	5.044-666.0	Holder jet pipe	1	PC		
4	6.310-053.0	Putting nut	1	PC		
5	6.304-099.0	Saucer-head screw M 6x 18-4.8-R2R	1	PC		
6	7.343-008.0	Locking ring 25x1,2-St-vz DIN 471	2	PC	VERSION 1	
7	7.312-060.0	Washer 24-100HV-A3E ISO 7091	2	PC	VERSION 1	
8	5.392-038.0	Wheel cap	1	PC		
9	4.515-092.0	Wheel complete	2	PC		
10	5.069-035.0	Cover HD-Basis/Superklasse	1	PC		
11	5.032-463.0	Covering cap hose guide	1	PC		
	Item text1: 1.286-114.0 /-320.0 /-321.0 /-322.0 /-323.0 /-325.0 /-326.0 /-328.0 /-329.0 /-331.0 /					
12	7.303-110.0	Screw 5x35 -10.9-R2R (In6Rd)	15	PC		
13	5.013-091.0	Funnel	1	PC		
14	5.057-062.0	Support	2	PC		
15	5.029-000.0	Axle	1	PC	VERSION 1	
15	5.033-342.0	Axle	1	PC	VERSION 2	
16	5.032-426.0	Covering cap	1	PC		
	Item text1: 1.286-114.0 /-320.0 /-321.0 /-322.0 /-323.0 /-325.0 /-326.0 /-328.0 /-329.0 /-331.0 /					
17	5.251-049.0	Bearing support right	1	PC		
18	5.251-048.0	Bearing support left	1	PC		
19	5.032-406.0	Covering cap	1	PC		
20	5.032-413.0	Covering cap drawer	1	PC		
	Item text1: 1.286-114.0 /-320.0 /-321.0 /-322.0 /-323.0 /-325.0 /-326.0 /-328.0 /-329.0 /-331.0 /					
21	4.050-601.0	Frame complete	1	PC		
22	4.580-608.0	Proportioning valve chemistry	1	PC		
23	6.388-194.0	Hose DN 7	1	m		TO ORDER AS CUT GOODS
24	6.388-216.0	Hose DN 5	1	m		TO ORDER AS CUT GOODS
25	5.731-652.0	Filter with weight	1	PC		
26	6.648-859.0	Cable with plug	1	PC		
	Item text1: / 1.286-320.0 /-324.0 /-325.0 /-326.0 / 327.0 /-328.0 /-329.0 /-330.0 /-331.0 /-332.0 /					
26	6.648-965.0	Cable complete	1	PC		

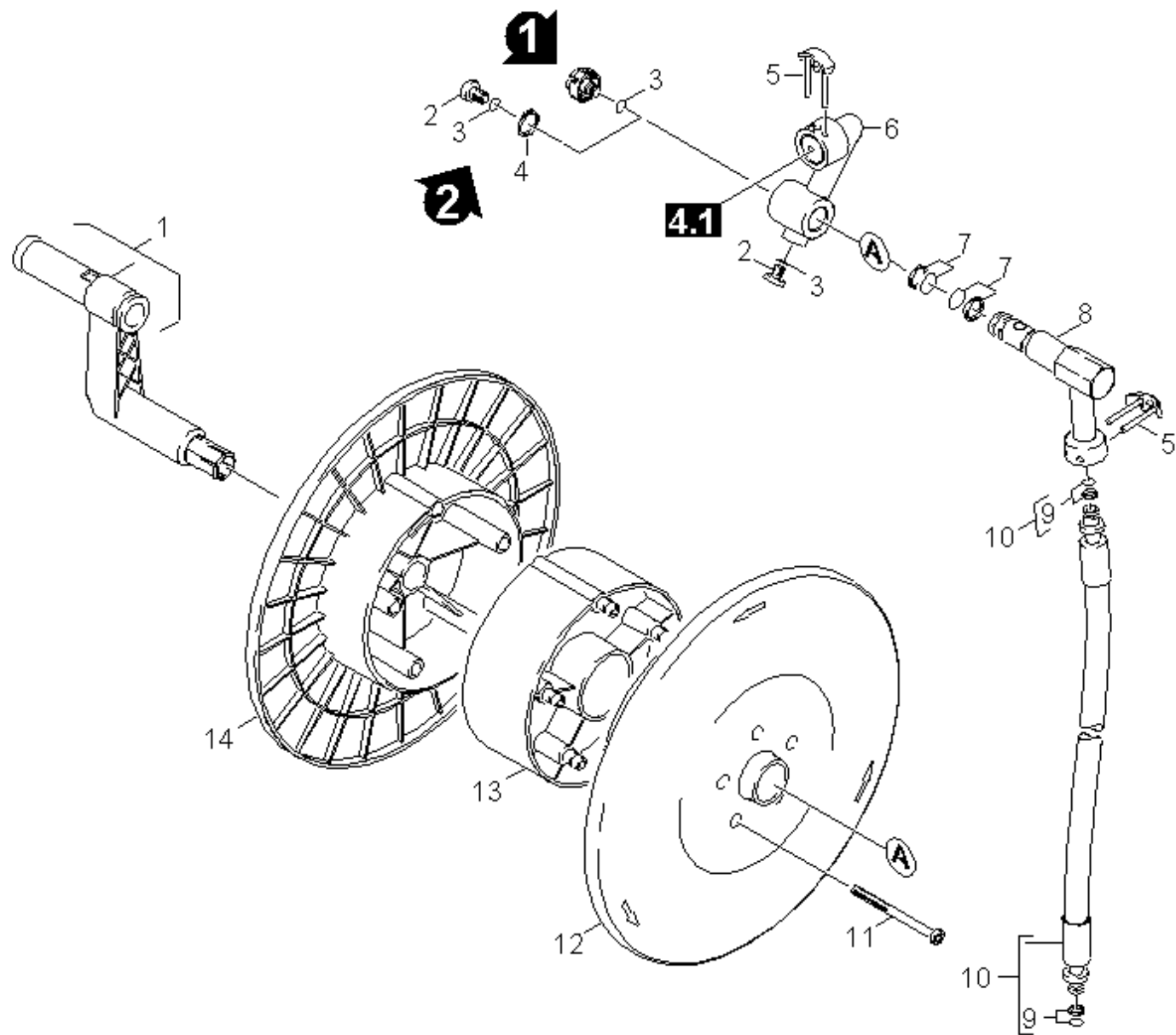
11 Housing

POS	Article no.	Description	Quantity	Unit	Remark	Foot note text
	Item text1: / 1.286-114.0 / -321.0 / -322.0					
27	6.343-186.0	Locking ring	1	PC		
28	6.646-030.0	Plug CEE ,16A,5p,IP44	1	PC		
	Item text1: / 1.286-320.0 /-324.0 /-325.0 /-326.0 /-327.0 /-328.0 /-329.0 /-330.0 /-331.0 /-332.0 /					
29	5.044-646.0	Holder roller front	2	PC		
	Item text1: 1.286-324.0 /-327.0 /-330.0 /-332.0 /					
30	5.515-191.0	Roller	4	PC		
	Item text1: 1.286-324.0 /-327.0 /-330.0 /-332.0 /					
31	5.128-511.0	Axle	4	PC		
	Item text1: 1.286-324.0 /-327.0 /-330.0 /-332.0 /					
32	5.044-647.0	Holder roller rear	1	PC		
	Item text1: 1.286-324.0 /-327.0 /-330.0 /-332.0 /					
33	5.044-652.0	Holder roll	2	PC		
	Item text1: 1.286-324.0 /-327.0 /-330.0 /-332.0 /					
34	5.100-422.0	REVERSING ROLLING MILL	1	PC		
	Item text1: 1.286-324.0 /-327.0 /-330.0 /-332.0 /					
35	6.343-162.0	Lock washer -25	2	PC	VERSION 2	



21 Frame complete (4.050-601.0)

POS	Article no.	Description	Quantity	Unit
3	5.013-091.0	Funnel	1	PC
5	5.044-666.0	Holder jet pipe	1	PC
8	7.303-110.0	Screw 5x35 -10.9-R2R (In6Rd)	1	PC

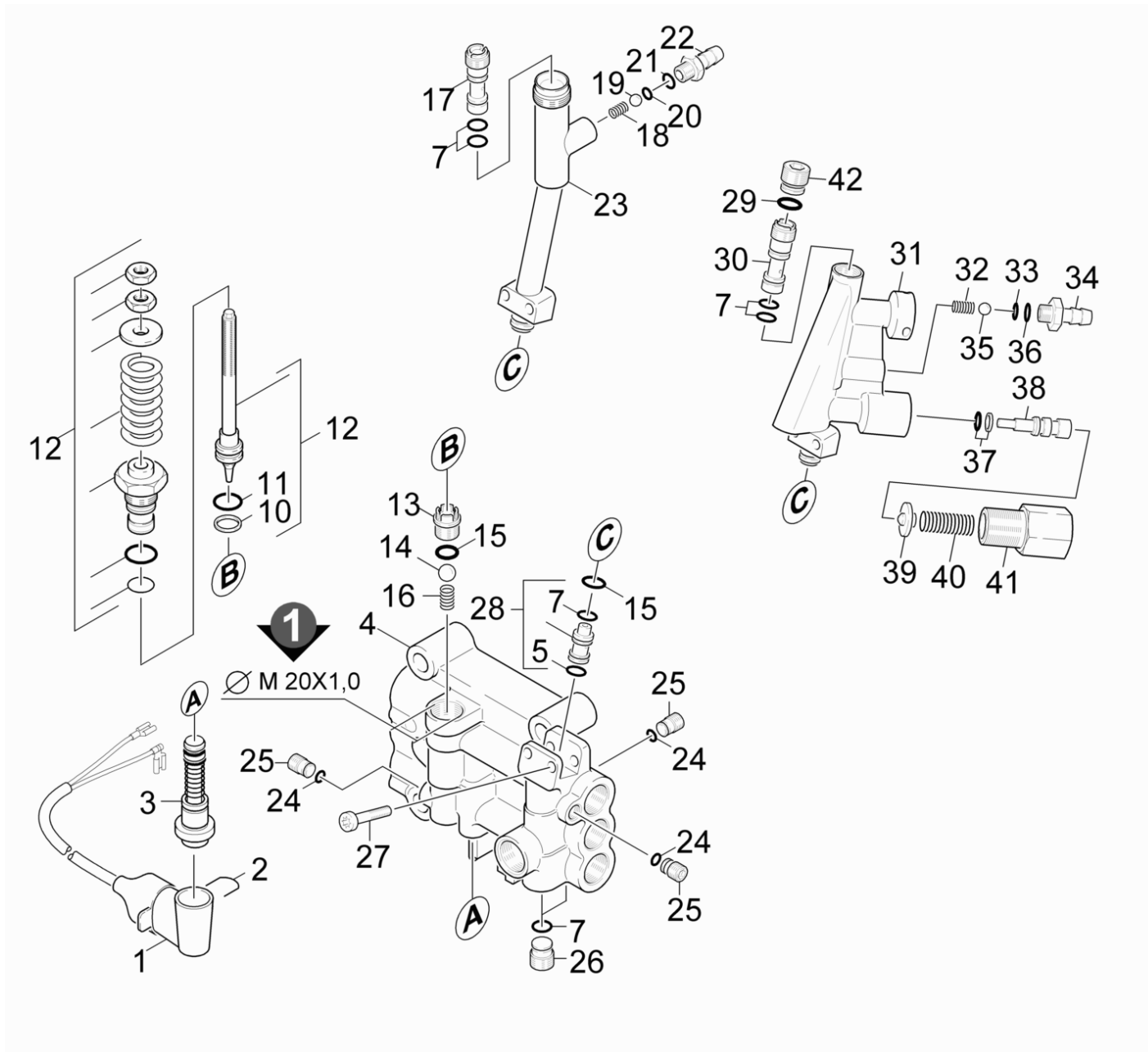


12 Hose reel

POS	Article no.	Description	Quantity	Unit
1	4.481-206.0	Crank complete hose reel	1	PC
	Item text1: 1.286-324.0 /-327.0 /-330.0 /-332.0 /			
2	7.306-223.0	Screw M8x12 -A2-70 (In6Rd)	2	PC
	Item text1: 1.286-324.0 /-327.0 /-330.0 /-332.0 /			
3	6.362-101.0	O-Ring seal 8 X 2	2	PC
	Item text1: 1.286-324.0 /-327.0 /-330.0 /-332.0 /			
4	7.343-018.0	Locking ring 18x1,2-Rf-St DIN 471	1	PC
	Item text1: 1.286-324.0 /-327.0 /-330.0 /-332.0 /			
5	4.037-013.0	Hook	2	PC
	Item text1: 1.286-324.0 /-327.0 /-330.0 /-332.0 /			
6	5.427-310.0	Manifold	1	PC
	Item text1: 1.286-324.0 /-327.0 /-330.0 /-332.0 /			
7	6.363-073.3	O-Ring seal cpl. 14x1,78 1XSRH-NBR	2	PC
	Item text1: 1.286-324.0 /-327.0 /-330.0 /-332.0 /			
8	5.427-311.0	Manifold	1	PC
	Item text1: 1.286-324.0 /-327.0 /-330.0 /-332.0 /			
9	4.363-691.0	O-Ring seal kpl. -nur fuer Ersatz-	2	PC
	Item text1: 1.286-324.0 /-327.0 /-330.0 /-332.0 /			
10	6.390-916.0	High pressure hose DN8	1	PC
	Item text1: 1.286-324.0 /-327.0 /-330.0 /-332.0 /			
11	7.303-330.0	Screw 5x85-10.9-ZFBHL (In6Rd)	5	PC
	Item text1: 1.286-324.0 /-327.0 /-330.0 /-332.0 /			
12	5.776-006.0	Hose reel	1	PC
	Item text1: 1.286-324.0 /-327.0 /-330.0 /-332.0 /			
13	5.114-481.0	Ring hose reel	1	PC
	Item text1: 1.286-324.0 /-327.0 /-330.0 /-332.0 /			
14	5.776-007.0	Hose reel	1	PC
	Item text1: 1.286-324.0 /-327.0 /-330.0 /-332.0 /			

20 Pump set

POS	Description	Quantity	Unit	Foot note text
21	Cylinder head	1	PC	VERSION 1
22	Cylinder head	1	PC	VERSION 2
23	Piston	1	PC	
24	Valves	1	PC	
25	Water filter	1	PC	

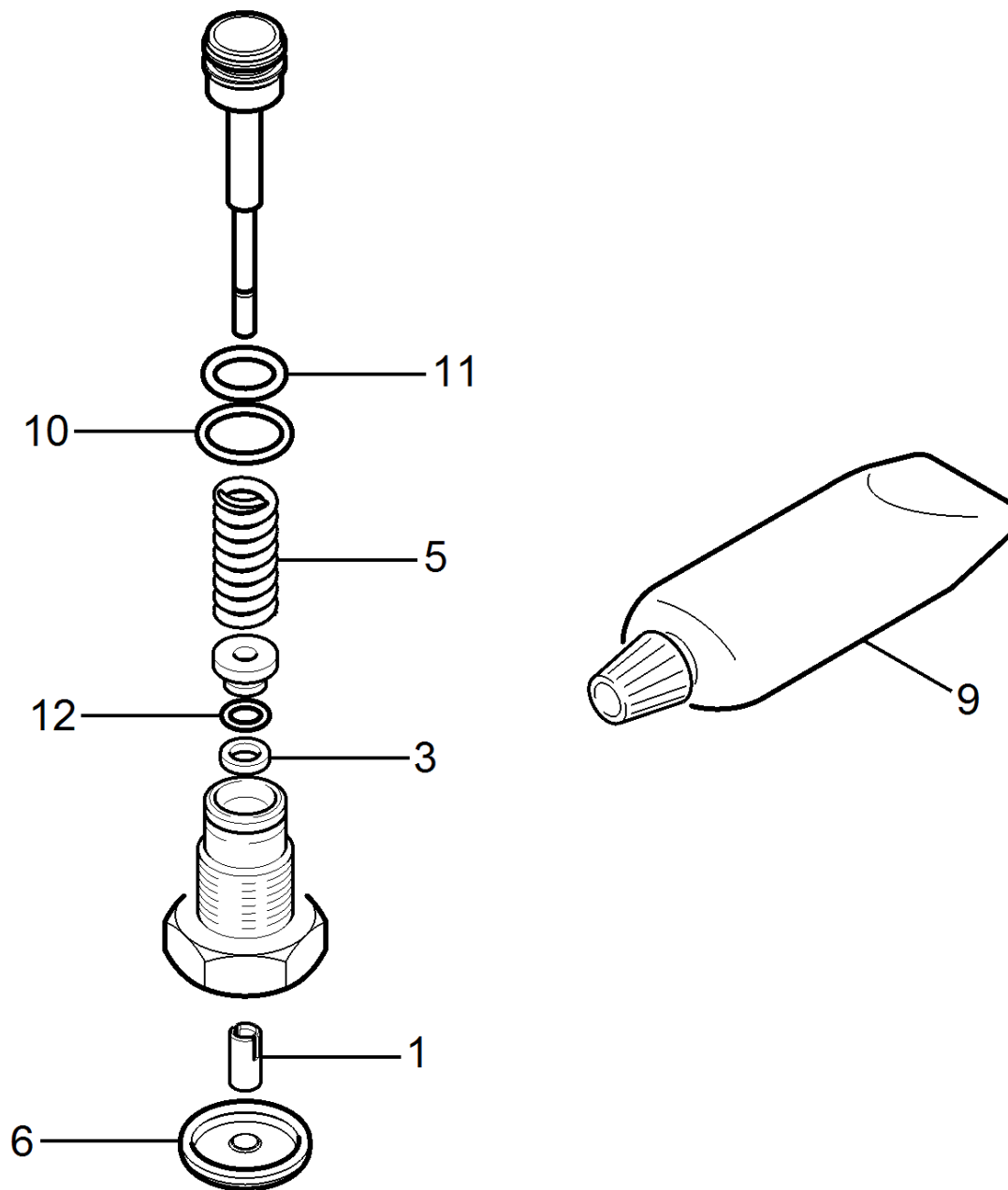


21 Cylinder head

POS	Article no.	Description	Quantity	Unit	Foot note text
1	4.744-242.0	Switch kpl. -nur für Ersatz-	1	PC	
2	5.034-494.0	Retaining bracket	1	PC	
3	2.883-988.0	SPARE PARTS SET	1	PC	
4	2.885-130.0	Cylinder head -nur fuer Ersatz-	1	PC	VERSION 1
7		Part at pump set	5	PC	
10		Part at pump set	1	PC	VERSION 1
11	6.363-244.0	O-Ring seal 12.42x1.78	1	PC	VERSION 1
12	2.885-129.0	Overflow valve -nur fuer Ersatz-	1	PC	VERSION 1
13	5.581-270.0	Valve seat	1	PC	
14		Part at pump set	1	PC	
15		Part at pump set	2	PC	
16	5.332-999.0	Helical spring	1	PC	
17	5.769-082.0	Nozzle insert D2.0/ D2.7/ L38	1	PC	
18	5.332-258.0	Helical spring	1	PC	
19		Part at pump set	1	PC	
20		Part at pump set	1	PC	
21		Part at pump set	1	PC	
22	5.443-370.0	Nipple	1	PC	
23	5.427-295.0	Manifold high-pressure	1	PC	
		Item text1: / 1.286-320.0 /-323.0 /-326.0 /-328.0			
		Item text2: -329.0 /-331.0 /			
23	5.427-320.0	Manifold	1	PC	
		Item text1: / 1.286-114.0 /-321.0 /-322.0 /-325.0 /			
24		Part at pump set	3	PC	
25	5.411-161.0	CLOSING SCREW M10X1	3	PC	
26	5.411-152.0	Screw plug	2	PC	
27	7.306-118.0	Screw M 6x35 -8.8-R3R (In6Rd)	2	PC	
28	4.769-000.0	Nozzle insert complete	1	PC	
29	6.362-528.0	O-Ring seal 9,5 X 2,0	1	PC	
		Item text1: 1.286-324.0 /-327.0 /-330.0 /-332.0 /			
30	5.769-141.0	Nozzle insert	1	PC	
		Item text1: 1.286-324.0 /-327.0 /-330.0 /-332.0 /			
31	4.591-045.0	Overflow valve	1	PC	

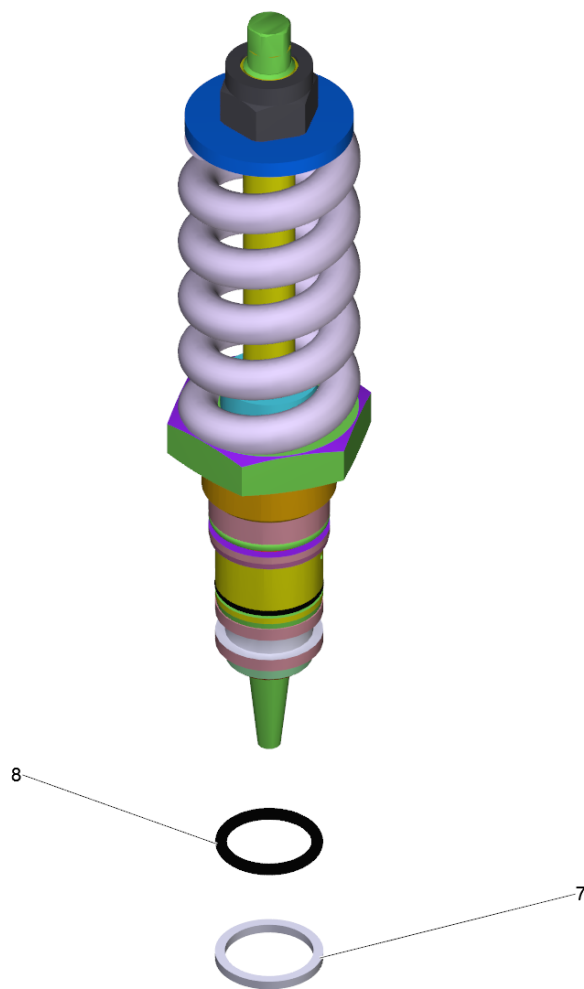
21 Cylinder head

POS	Article no.	Description	Quantity	Unit	Foot note text
		Item text1: 1.286-324.0 /-327.0 /-330.0 /-332.0 /			
32	5.332-258.0	Helical spring	1	PC	
		Item text1: 1.286-324.0 /-327.0 /-330.0 /-332.0 /			
33		Part at pump set	1	PC	
		Item text1: 1.286-324.0 /-327.0 /-330.0 /-332.0 /			
34	5.443-370.0	Nipple	1	PC	
		Item text1: 1.286-324.0 /-327.0 /-330.0 /-332.0 /			
35		Part at pump set	1	PC	
		Item text1: 1.286-324.0 /-327.0 /-330.0 /-332.0 /			
36		Part at pump set	1	PC	
		Item text1: 1.286-324.0 /-327.0 /-330.0 /-332.0 /			
37	6.362-365.0	O-Ring seal complete 1ST.-R.- 7,65X 1,7	1	PC	
		Item text1: 1.286-324.0 /-327.0 /-330.0 /-332.0 /			
38	5.553-465.0	Piston	1	PC	
		Item text1: 1.286-324.0 /-327.0 /-330.0 /-332.0 /			
39	5.584-134.0	Valve pin	1	PC	
		Item text1: 1.286-324.0 /-327.0 /-330.0 /-332.0 /			
40	5.332-512.0	Helical spring	1	PC	
		Item text1: 1.286-324.0 /-327.0 /-330.0 /-332.0 /			
41	5.304-082.0	HEXAGON Schraube	1	PC	
		Item text1: 1.286-324.0 /-327.0 /-330.0 /-332.0 /			
42	5.411-168.0	Valve screw M16x1	1	PC	
		Item text1: 1.286-324.0 /-327.0 /-330.0 /-332.0 /			
100	2.883-902.0	PUMP SET HD 1095	1	PC	



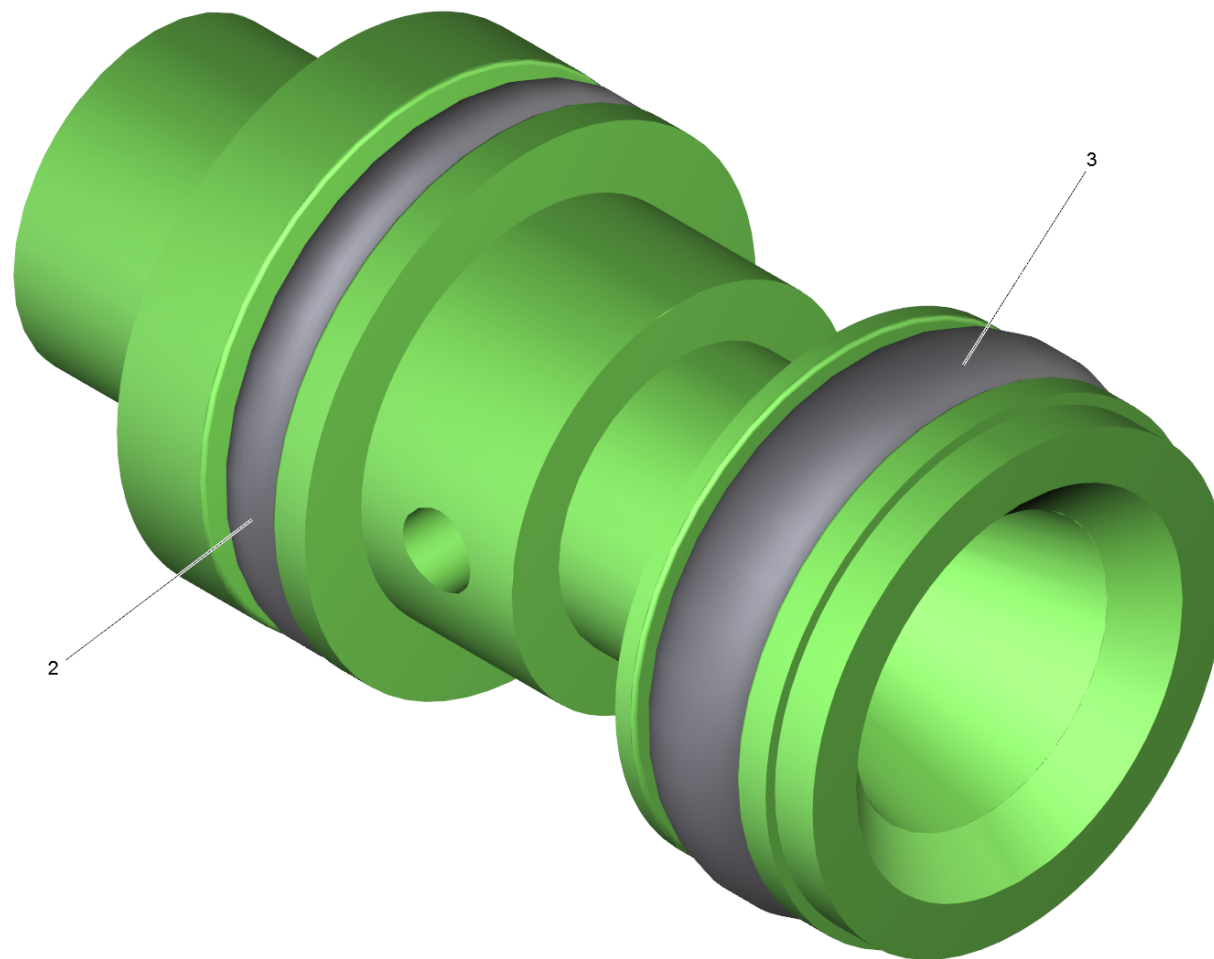
3 SPARE PARTS SET (2.883-988.0)

POS	Article no.	Description	Quantity	Unit
1	5.110-947.0	Sleeve	1	PC
3	5.114-513.0	Supportring	1	PC
5	5.332-511.0	Helical spring	1	PC
6	5.367-030.0	Diaphragm	1	PC
9	6.288-044.0	Silicon grease 100 G	1	PC
10	6.363-615.0	O-Ring seal 11 x 1,5 -NBR70	1	PC
11	6.363-611.0	O-Ring seal 8,73 x 1,78 -NBR	1	PC
12	6.363-241.0	O-Ring seal 2,90x1,78	1	PC



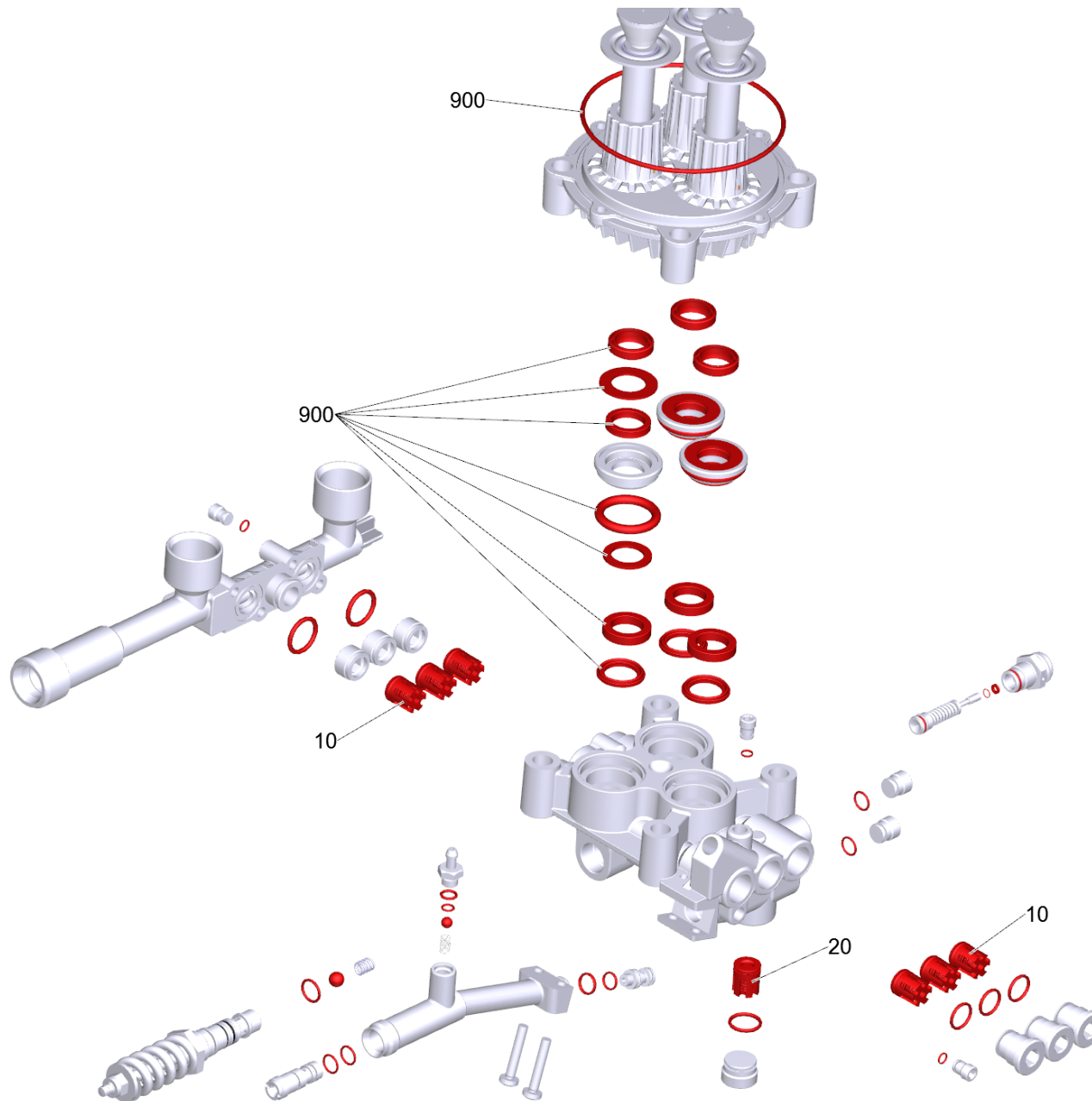
12 Overflow valve -nur fuer Ersatz- (2.885-129.0)

POS	Article no.	Description	Quantity	Unit
7	5.114-511.0	Supportring	1	PC
8	6.363-244.0	O-Ring seal 12.42x1.78	1	PC



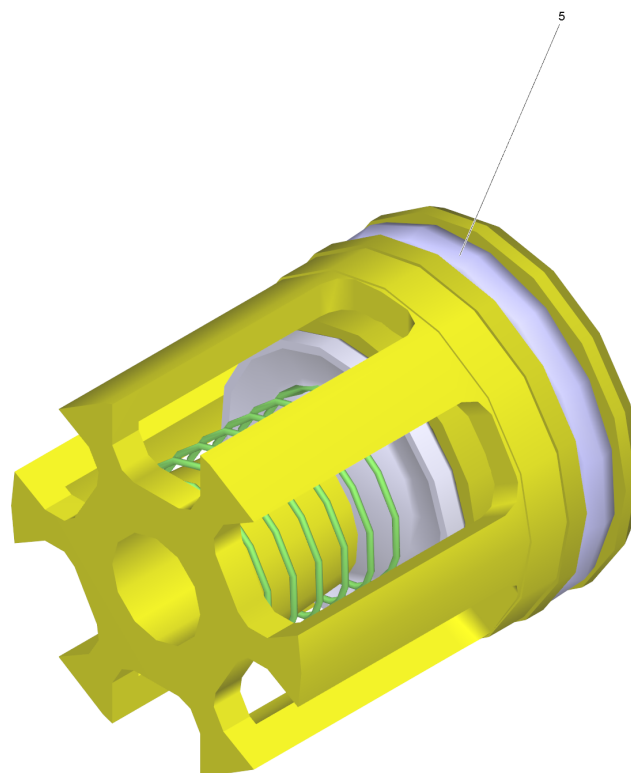
28 Nozzle insert complete (4.769-000.0)

POS	Article no.	Description	Quantity	Unit
2	6.362-384.0	O-Ring seal 9x1,5 - NBR 70	1	PC
3	6.363-282.0	O-Ring seal 6,3x2,4-NBR 70	1	PC



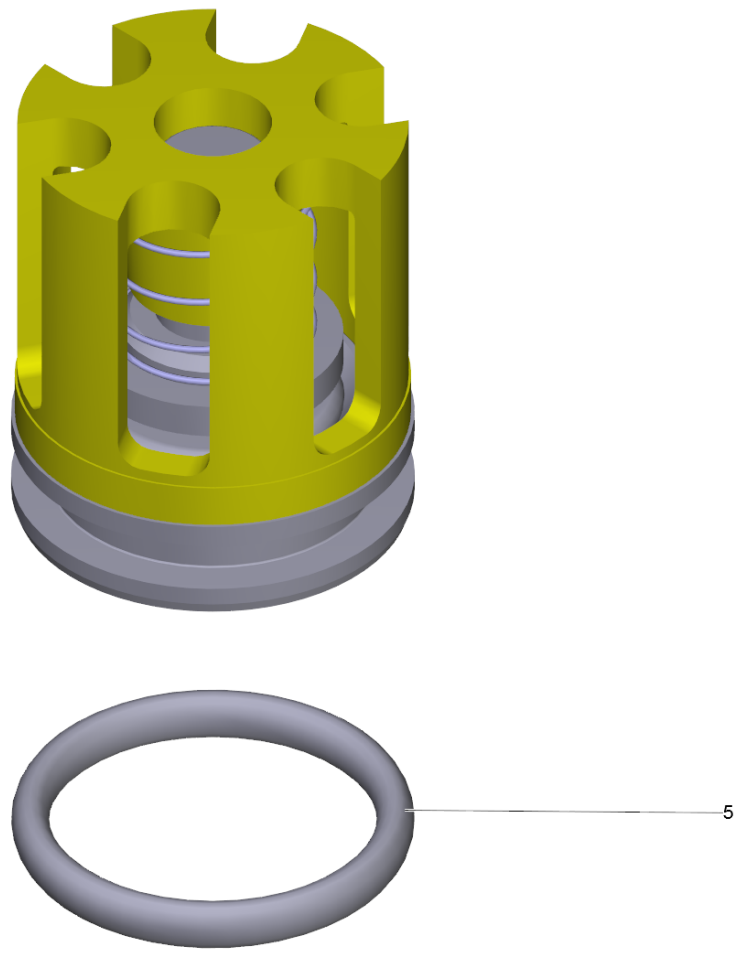
100 PUMP SET HD 1095 (2.883-902.0)

POS	Article no.	Description	Quantity	Unit
10	2.884-512.0	Valve (3 Stueck)	2	PC
20	4.580-594.0	Valve complete	1	PC
900	4.100-769.0	Set of gaskets	1	PC



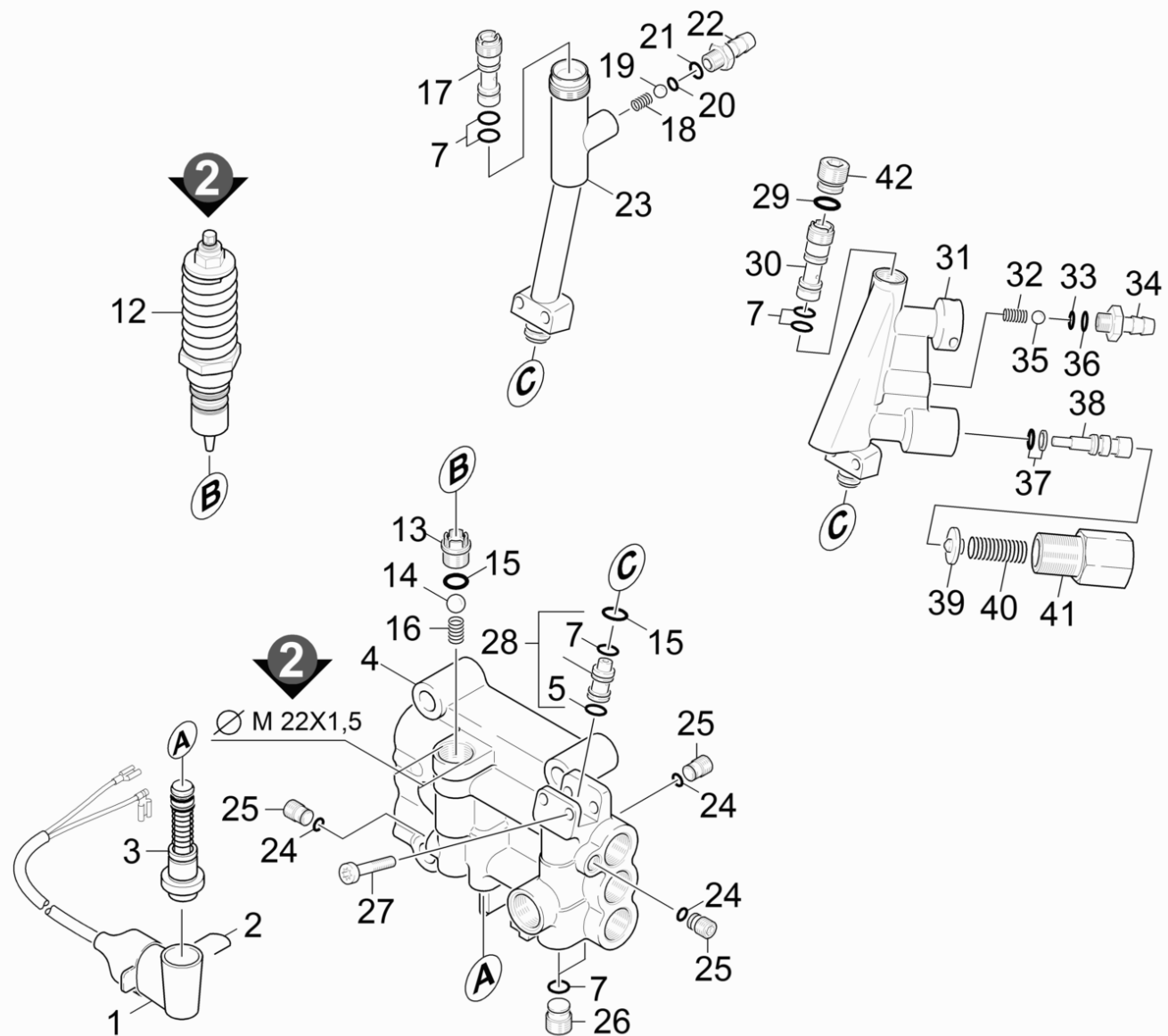
10 Valve (3 Stueck) (2.884-512.0)

POS	Article no.	Description	Quantity	Unit
5	6.363-003.0	O-Ring seal 13,0 X 2,0-NBR 90	1	PC



20 Valve complete (4.580-594.0)

POS	Article no.	Description	Quantity	Unit
5	6.362-381.0	O-Ring seal 13x2 - NBR 70	1	PC

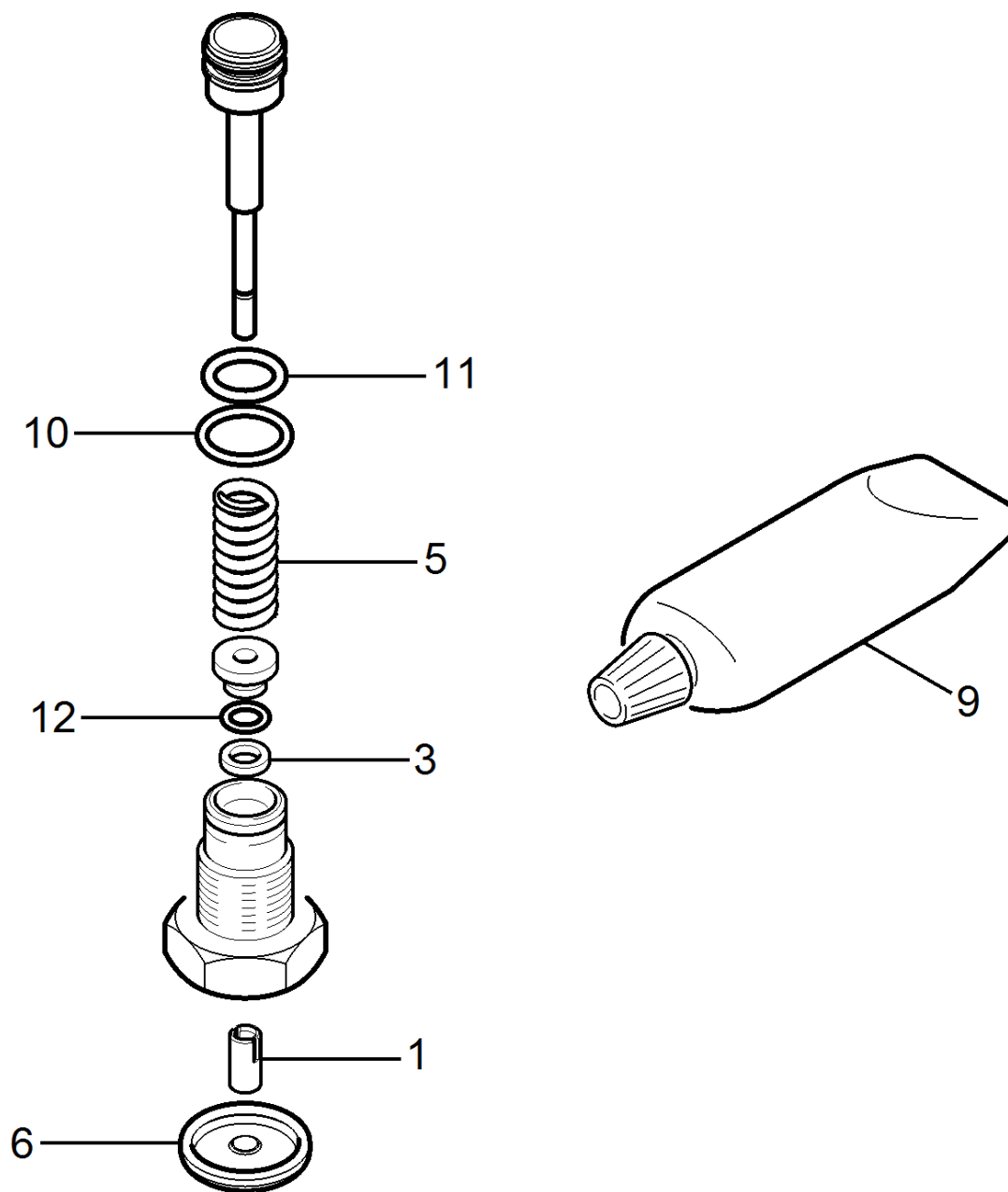


22 Cylinder head

POS	Article no.	Description	Quantity	Unit	Foot note text
1	4.744-242.0	Switch kpl. -nur für Ersatz-	1	PC	
2	5.034-494.0	Retaining bracket	1	PC	
3	2.883-988.0	SPARE PARTS SET	1	PC	
4	2.885-320.0	Cylinder head only for replacement	1	PC	VERSION 2
5	6.363-517.0	Supportring	1	PC	
7		Part at pump set	5	PC	
12	2.885-238.0	Spare part set overflow valve	1	PC	VERSION 2
12	2.885-385.0	Spare part set overflow valve	1	PC	VERSION 2
	Item text1: 1.286-314.0/-320.0/-328.0				
13	5.581-270.0	Valve seat	1	PC	
14		Part at pump set	1	PC	
15		Part at pump set	2	PC	
16	5.332-999.0	Helical spring	1	PC	
17	5.769-082.0	Nozzle insert D2.0/ D2.7/ L38	1	PC	
18	5.332-258.0	Helical spring	1	PC	
19		Part at pump set	1	PC	
20		Part at pump set	1	PC	
21		Part at pump set	1	PC	
22	5.443-370.0	Nipple	1	PC	
23	5.427-295.0	Manifold high-pressure	1	PC	
	Item text1: / 1.286-320.0 /-323.0 /-326.0 /-328.0				
	Item text2: -329.0 /-331.0 /				
23	5.427-320.0	Manifold	1	PC	
	Item text1: / 1.286-114.0 /-321.0 /-322.0 /-325.0 /				
24		Part at pump set	3	PC	
25	5.411-161.0	CLOSING SCREW M10X1	3	PC	
26	5.411-152.0	Screw plug	2	PC	
27	7.306-118.0	Screw M 6x35 -8.8-R3R (In6Rd)	2	PC	
28	4.769-000.0	Nozzle insert complete	1	PC	
29	6.362-528.0	O-Ring seal 9,5 X 2,0	1	PC	
	Item text1: 1.286-324.0 /-327.0 /-330.0 /-332.0 /				
30	5.769-141.0	Nozzle insert	1	PC	
	Item text1: 1.286-324.0 /-327.0 /-330.0 /-332.0 /				

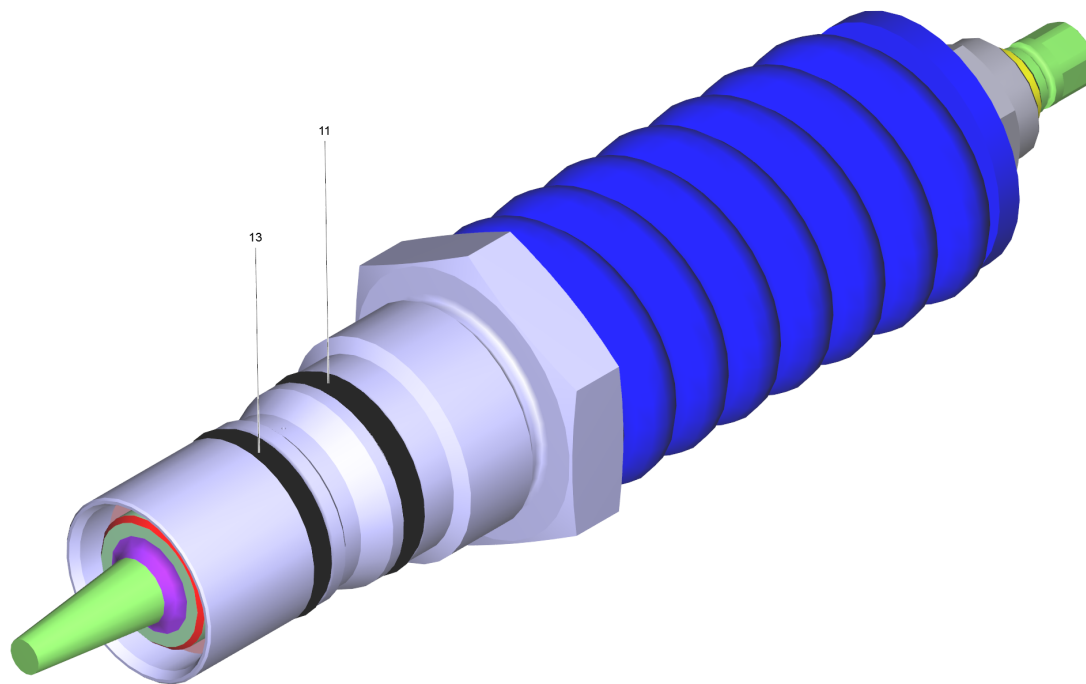
22 Cylinder head

POS	Article no.	Description	Quantity	Unit	Foot note text
31	4.591-045.0	Overflow valve	1	PC	
	Item text1: 1.286-324.0 /-327.0 /-330.0 /-332.0 /				
32	5.332-258.0	Helical spring	1	PC	
	Item text1: 1.286-324.0 /-327.0 /-330.0 /-332.0 /				
33		Part at pump set	1	PC	
	Item text1: 1.286-324.0 /-327.0 /-330.0 /-332.0 /				
34	5.443-370.0	Nipple	1	PC	
	Item text1: 1.286-324.0 /-327.0 /-330.0 /-332.0 /				
35		Part at pump set	1	PC	
	Item text1: 1.286-324.0 /-327.0 /-330.0 /-332.0 /				
36		Part at pump set	1	PC	
	Item text1: 1.286-324.0 /-327.0 /-330.0 /-332.0 /				
37	6.362-365.0	O-Ring seal complete 1ST.-R.- 7,65X 1,7	1	PC	
	Item text1: 1.286-324.0 /-327.0 /-330.0 /-332.0 /				
38	5.553-465.0	Piston	1	PC	
	Item text1: 1.286-324.0 /-327.0 /-330.0 /-332.0 /				
39	5.584-134.0	Valve pin	1	PC	
	Item text1: 1.286-324.0 /-327.0 /-330.0 /-332.0 /				
40	5.332-512.0	Helical spring	1	PC	
	Item text1: 1.286-324.0 /-327.0 /-330.0 /-332.0 /				
41	5.304-082.0	HEXAGON Schraube	1	PC	
	Item text1: 1.286-324.0 /-327.0 /-330.0 /-332.0 /				
42	5.411-168.0	Valve screw M16x1	1	PC	
	Item text1: 1.286-324.0 /-327.0 /-330.0 /-332.0 /				
100	2.883-902.0	PUMP SET HD 1095	1	PC	



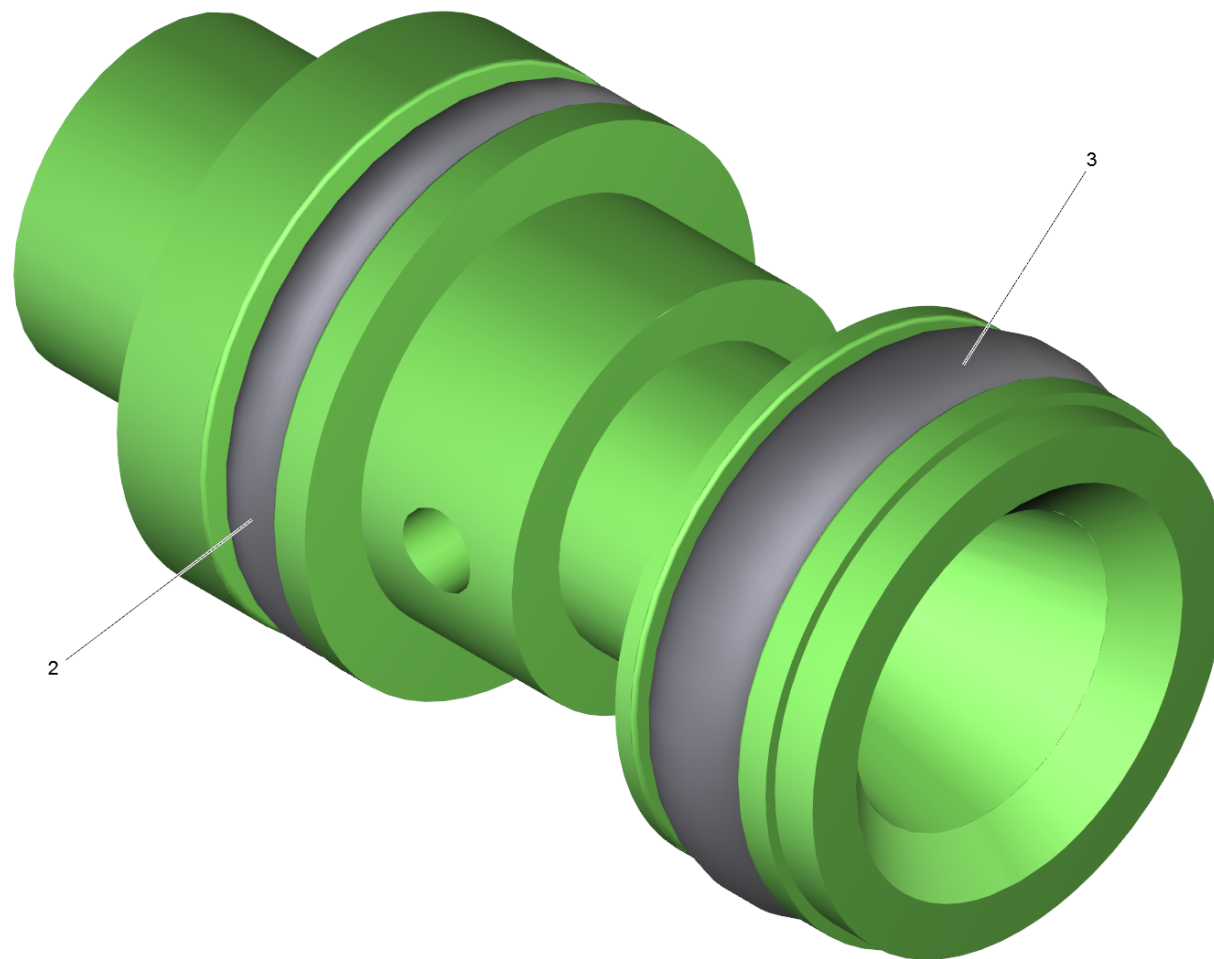
3 SPARE PARTS SET (2.883-988.0)

POS	Article no.	Description	Quantity	Unit
1	5.110-947.0	Sleeve	1	PC
3	5.114-513.0	Supportring	1	PC
5	5.332-511.0	Helical spring	1	PC
6	5.367-030.0	Diaphragm	1	PC
9	6.288-044.0	Silicon grease 100 G	1	PC
10	6.363-615.0	O-Ring seal 11 x 1,5 -NBR70	1	PC
11	6.363-611.0	O-Ring seal 8,73 x 1,78 -NBR	1	PC
12	6.363-241.0	O-Ring seal 2,90x1,78	1	PC



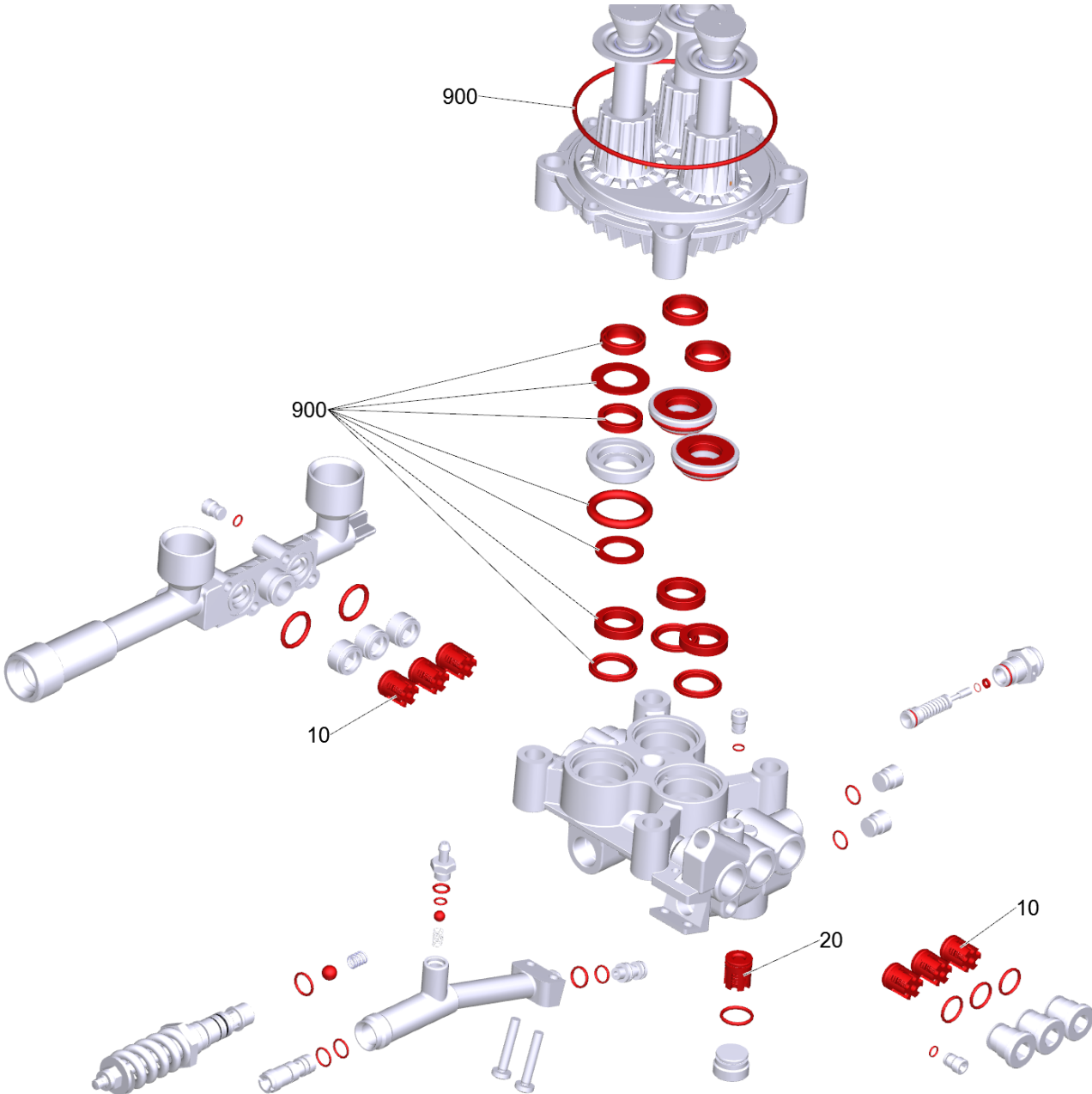
12 Spare part set overflow valve (2.885-385.0)

POS	Article no.	Description	Quantity	Unit
11	6.363-480.0	O-Ring seal 15,6x1,78	1	PC
13	6.363-463.0	O-Ring seal 15 x 1,5	1	PC



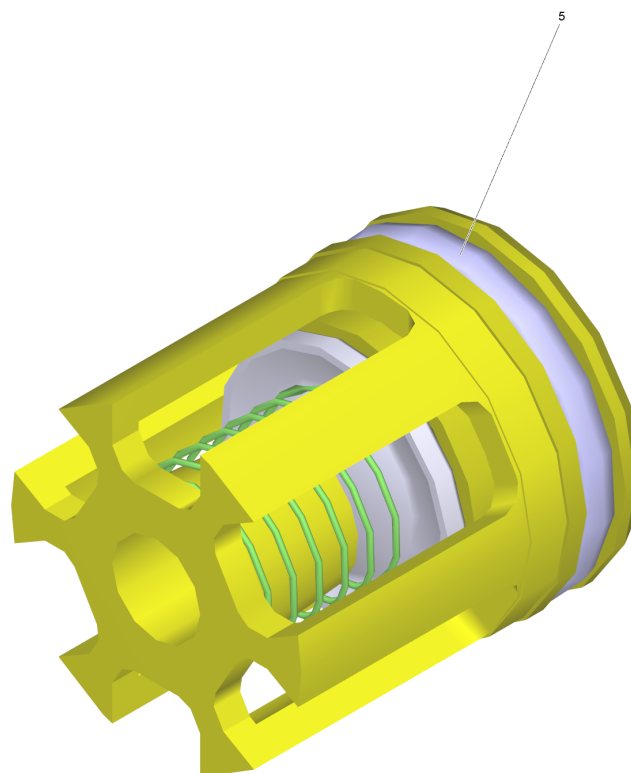
28 Nozzle insert complete (4.769-000.0)

POS	Article no.	Description	Quantity	Unit
2	6.362-384.0	O-Ring seal 9x1,5 - NBR 70	1	PC
3	6.363-282.0	O-Ring seal 6,3x2,4-NBR 70	1	PC



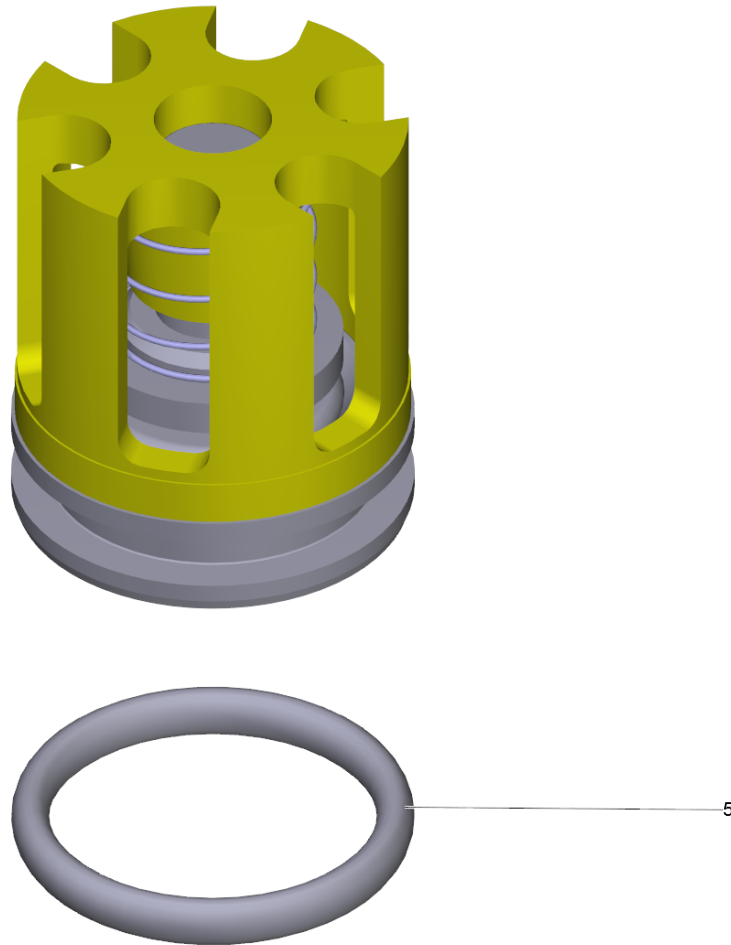
100 PUMP SET HD 1095 (2.883-902.0)

POS	Article no.	Description	Quantity	Unit
10	2.884-512.0	Valve (3 Stueck)	2	PC
20	4.580-594.0	Valve complete	1	PC
900	4.100-769.0	Set of gaskets	1	PC



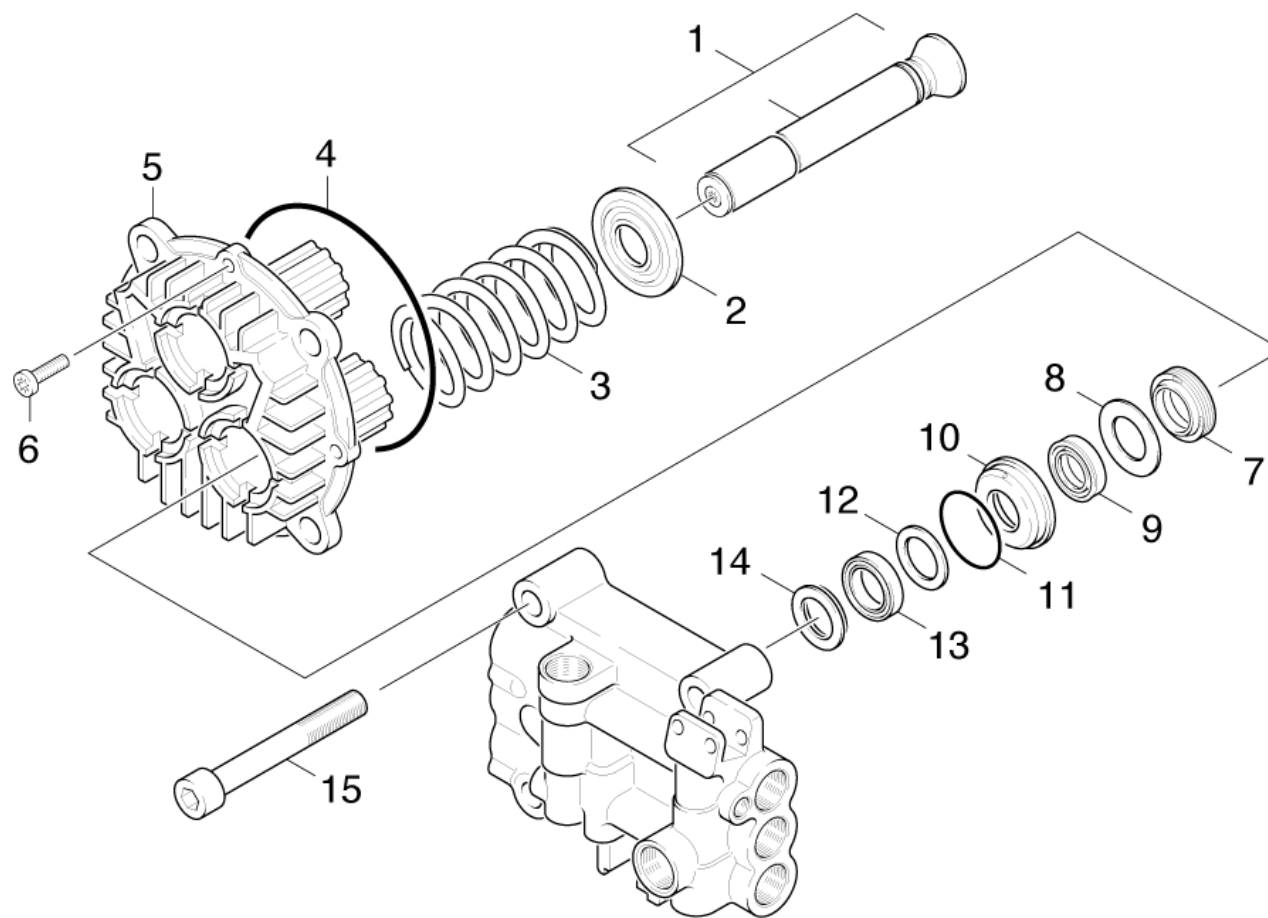
10 Valve (3 Stueck) (2.884-512.0)

POS	Article no.	Description	Quantity	Unit
5	6.363-003.0	O-Ring seal 13,0 X 2,0-NBR 90	1	PC



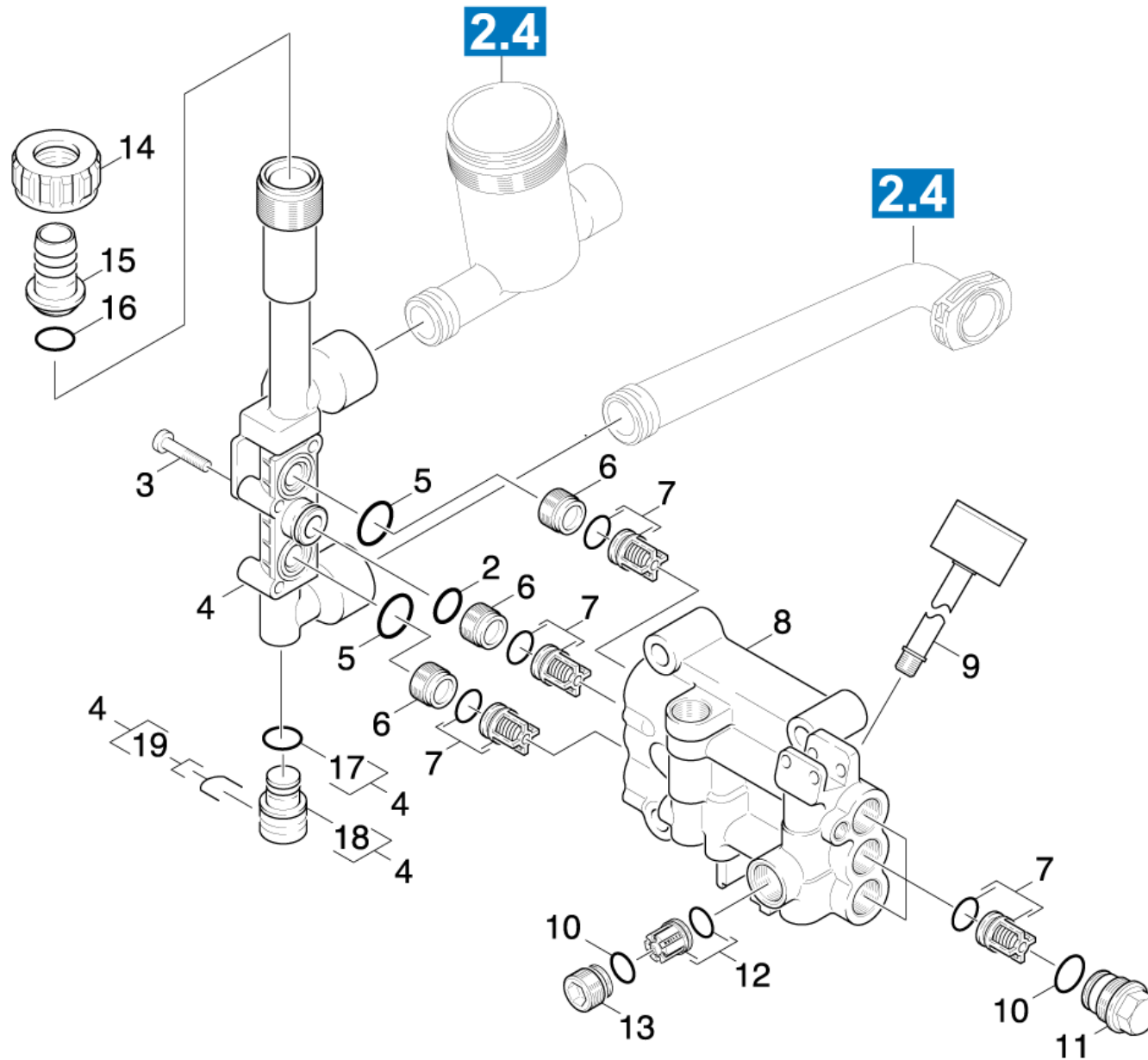
20 Valve complete (4.580-594.0)

POS	Article no.	Description	Quantity	Unit
5	6.362-381.0	O-Ring seal 13x2 - NBR 70	1	PC



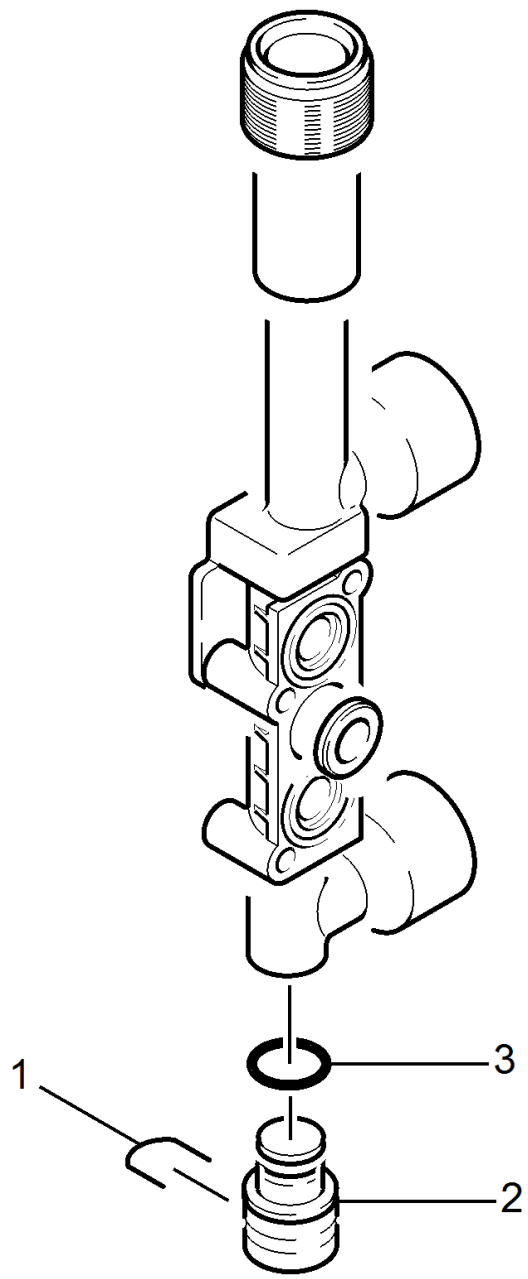
23 Piston

POS	Article no.	Description	Quantity	Unit
1	4.553-282.0	Piston complete only for replacement	3	PC
2	5.115-991.0	Washer	3	PC
3	5.332-187.0	Helical spring	3	PC
4		Part at pump set	1	PC
5	5.060-936.3	Thrust guidance D 20	1	PC
6	7.306-094.0	Screw M6x25 -8.8-R3R (In6Rd)	2	PC
7		Part at pump set	3	PC
8		Part at pump set	3	PC
9		Part at pump set	3	PC
10	5.112-713.3	Bush	3	PC
11		Part at pump set	3	PC
12		Part at pump set	3	PC
13		Part at pump set	3	PC
14		Part at pump set	3	PC
15	7.306-430.0	Cylinder head screw M12x90- 10.9-A3K ISO 4762	4	PC



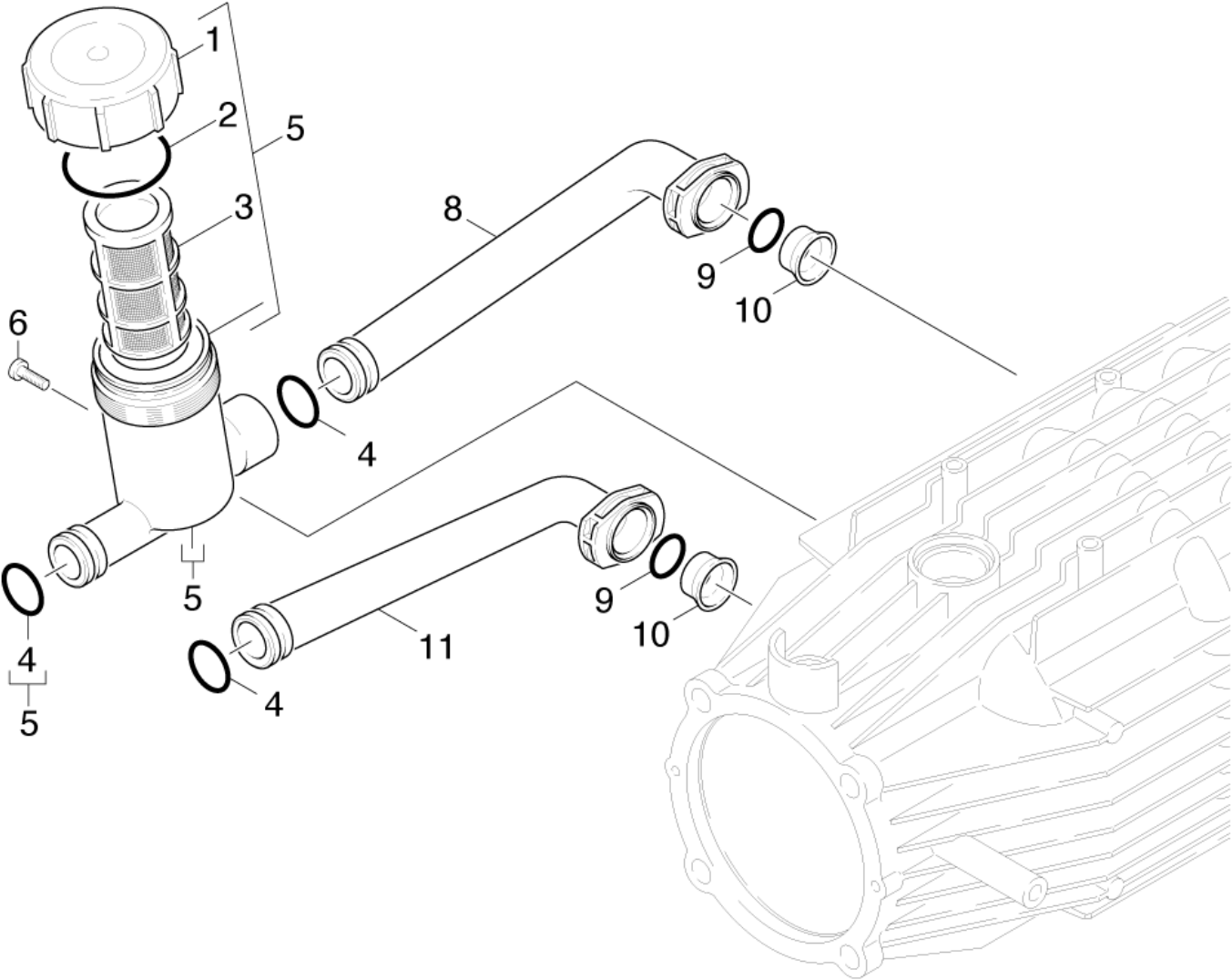
24 Valves

POS	Article no.	Description	Quantity	Unit
2	6.362-174.0	O-Ring seal 16,0 X 2,0-NBR 70	1	PC
3	7.306-118.0	Screw M 6x35 -8.8-R3R (In6Rd)	4	PC
4	4.427-216.0	Manifold complete	1	PC
5		Part at pump set	2	PC
6	5.583-177.0	Valve screw M20x1	3	PC
7		Part at pump set	1	PC
8	2.885-130.0	Cylinder head -nur fuer Ersatz-	1	PC
9	4.423-027.0	Pressure gauge 0-30 MPa - nur fuer Ersat	1	PC
10		Part at pump set	4	PC
11	5.583-146.3	Valve screw	3	PC
12		Part at pump set	1	PC
13	5.411-166.0	CLOSING SCREW	1	PC
14	5.310-076.0	Nut	1	PC
15	5.443-291.0	Hose stem	1	PC
16	6.362-161.0	O-Ring seal 19,3 X 2,4	1	PC
17	6.362-169.0	O-Ring seal 12,0 X 2,0	1	PC
18	5.132-168.0	DRAIN PLUG	1	PC
19	5.037-101.0	Hook	1	PC



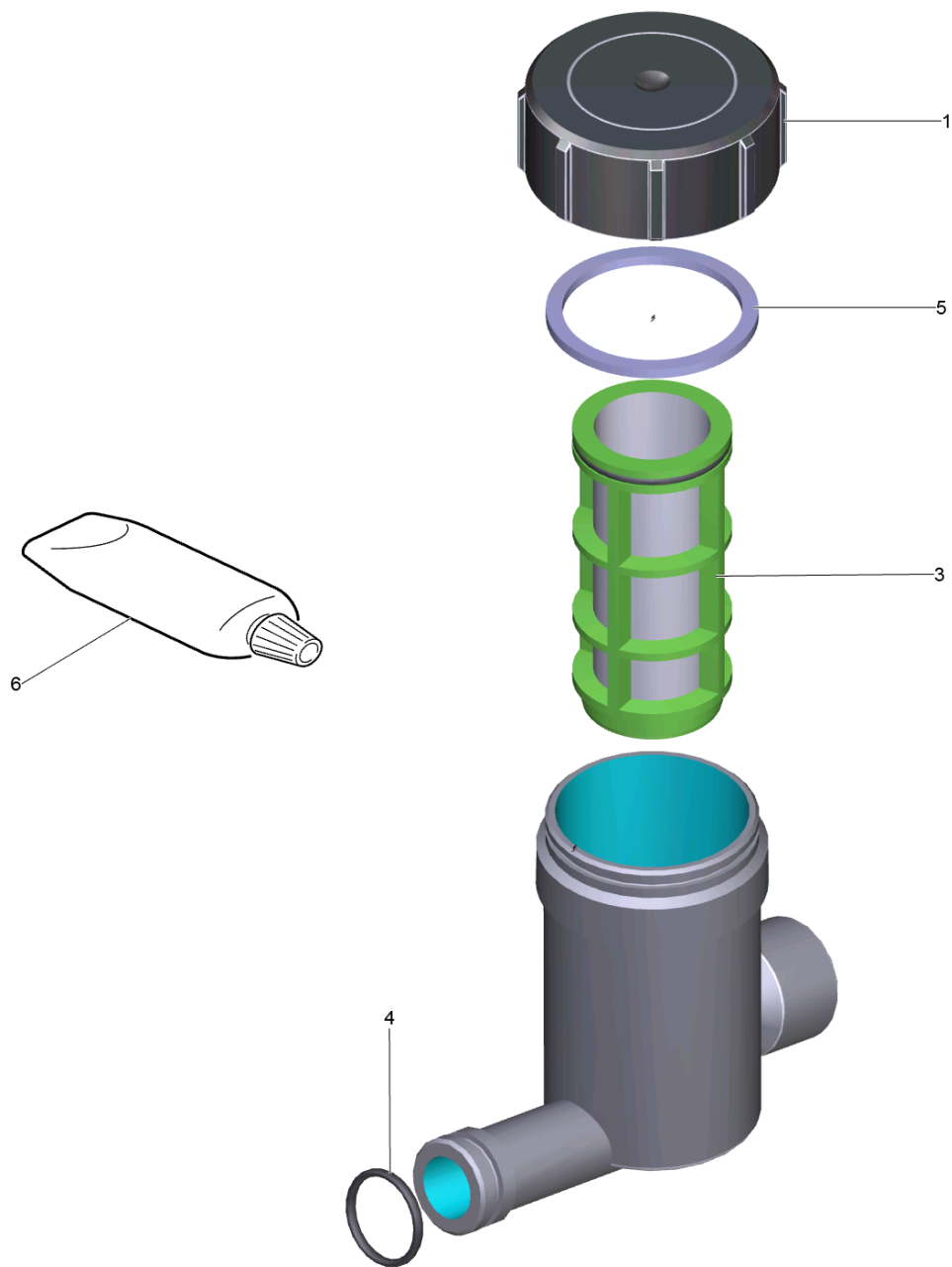
4 Manifold complete (4.427-216.0)

POS	Article no.	Description	Quantity	Unit
1	5.037-101.0	Hook	1	PC
2	5.132-168.0	DRAIN PLUG	1	PC
3	6.362-169.0	O-Ring seal 12,0 X 2,0	1	PC



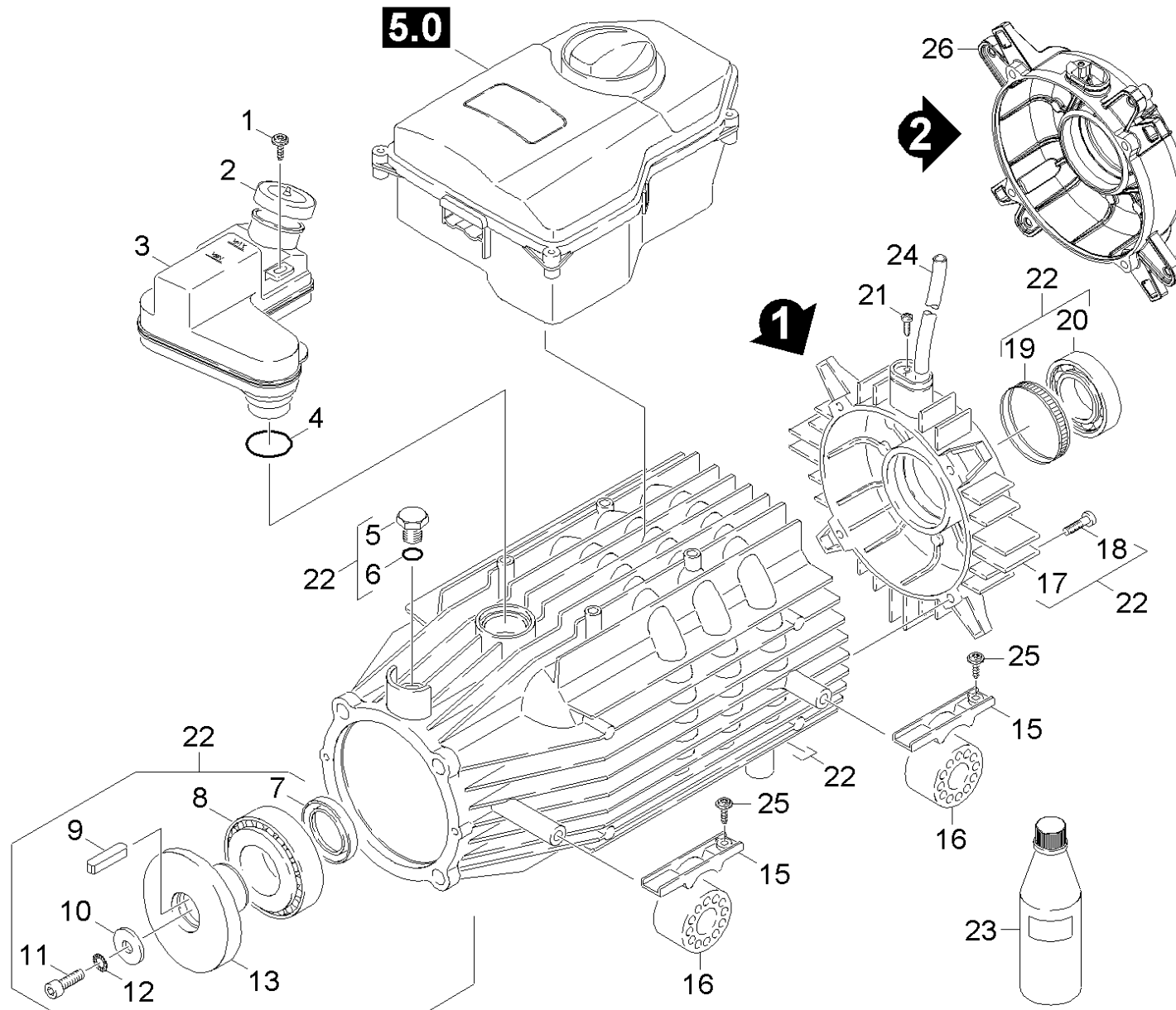
25 Water filter

POS	Article no.	Description	Quantity	Unit
1	5.064-107.0	Cover	1	PC
2	5.363-613.0	Seal	1	PC
3	6.414-681.0	Filter cartridge	1	PC
4	6.362-686.0	O-Ring seal 20,0 X 3,0	3	PC
5	4.730-161.0	Filter complete	1	PC
6	6.303-153.0	Screw M5x15-ST-R2R (IN6RD)	1	PC
8	5.427-307.0	Manifold	1	PC
9	6.362-579.0	O-Ring seal 17,5 X 3,5	2	PC
10	5.110-341.0	Sleeve	2	PC
11	5.427-298.0	Manifold short	1	PC



5 Filter complete (4.730-161.0)

POS	Article no.	Description	Quantity	Unit
1	5.064-453.0	Cover qusty grey	1	PC
3	6.414-681.0	Filter cartridge	1	PC
4	6.362-686.0	O-Ring seal 20,0 X 3,0	1	PC
5	5.363-613.0	Seal	1	PC
6	6.288-044.0	Silicon grease 100 G	1	PC

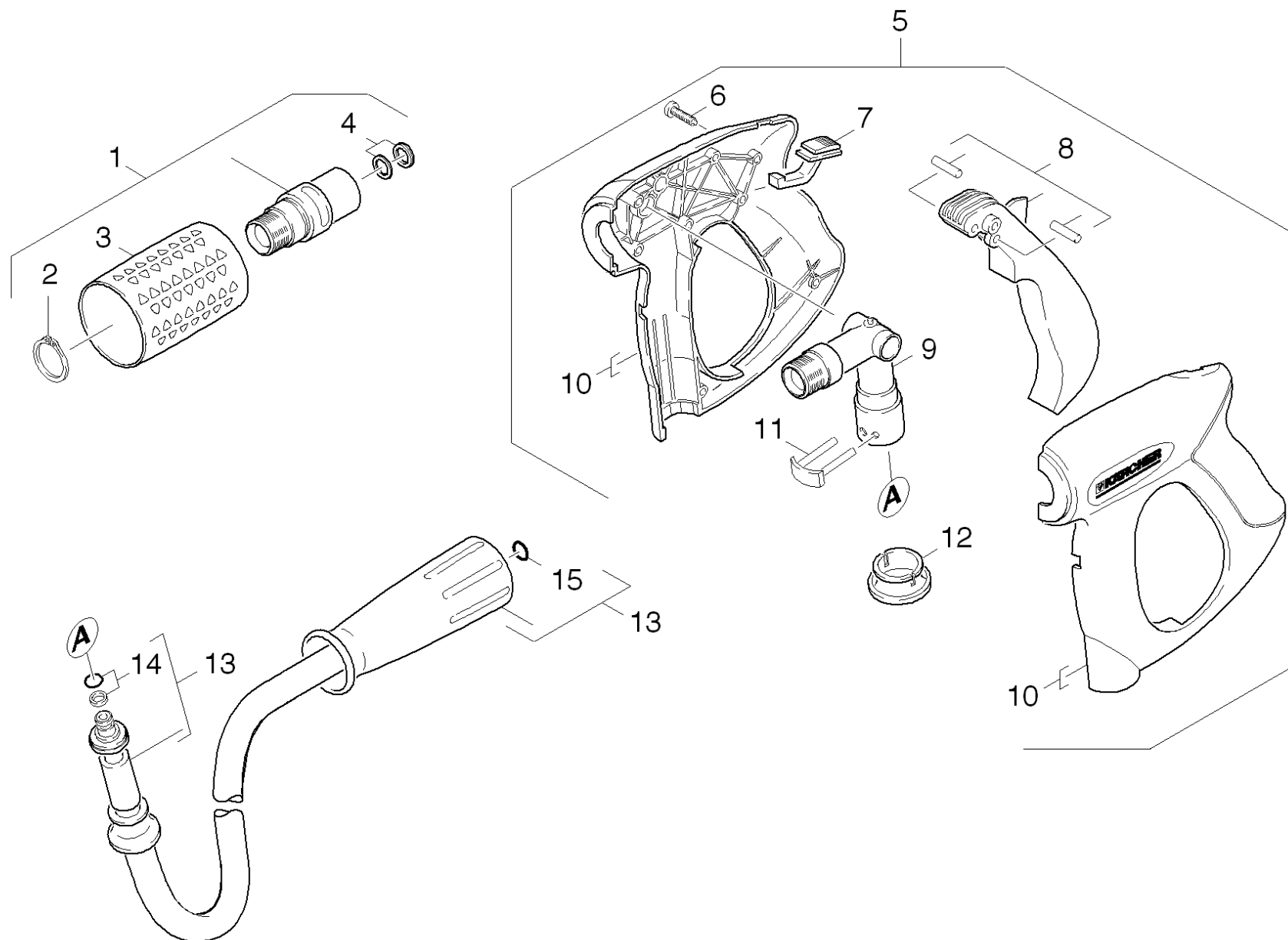


30 Motor

POS	Article no.	Description	Quantity	Unit	Remark	Foot note text
1	7.303-108.0	Screw 5x20 -10.9-R2R (In6Rd)	1	PC		
2	5.064-457.0	Cover plate qusty grey oil	1	PC		
3	5.070-604.0	Tank	1	PC		
4	6.362-722.0	O-Ring seal 28,0 X 3,0	1	PC		
5	5.411-100.0	Screw plug	2	PC		
6	6.363-273.0	O-Ring seal 11,0 x 2,0	2	PC		
7	7.367-009.0	Radial shaft seal ring A35x52x7-NBR DIN	1	PC		
8	6.401-225.3	Taper roller bearing 41	1	PC		
9	7.318-035.0	Parallel key 8x7x25 -C45K DIN 6885-1	1	PC		
10	5.115-565.0	Washer	1	PC		
11	7.306-041.0	Cylinder head screw M8x20 -8.8-A2E ISO	1	PC		
12	7.312-159.0	Toothed lock washer A8,4-FSt-PH DIN 6797	1	PC		
13	5.120-356.0	Wobble plate	1	PC		
	Item text1: / 1.286-114.0 / -321.0					
13	4.120-240.0	Wobble plate -nur für Ersatz-	1	PC		
	Item text1: / 1.286-320.0 /-322.0 /-323.0 /-324.0 /-325.0 / -326.0 /-327.0 /-328.0 /-329.0 /-330.0 / -326.0 /-327.0 /-328.0 /-329.0 /-330.0 /-331.0 /-332.0 /					
15	5.802-288.0	Mounting part	4	PC		
16	5.767-005.0	Rubber buffer	4	PC		
17	5.064-006.0	Bearing cover B	1	PC	VERSION 1	
18	6.303-515.0	Self-tapping screw M6x25	4	PC		
19	6.343-010.0	Tolerance ring 62x10	1	PC		
20	6.401-253.0	Ball bearing 6305-2Z	1	PC		
21	7.303-031.0	Screw M4x10 -St-P2R (In6Rd)	1	PC		
22	4.623-457.0	Motor complete only for replacement	1	PC		
	Item text1: / 1.286-320.0 /-322.0 /-323.0/-324.0 /-325.0 /-326.0 /-327.0 /-328.0 /-329.0 /-330.0 /-331.0 /-332.0 /					
22	4.623-651.0	Motor complete only for replacement	1	PC		
	Item text1: / 1.286-114.0 / -321.0					
23	6.288-016.0	Gear oil 1L	2	PC		
24	6.642-011.0	Insulating hose 10	1	m		TO ORDER AS CUT GOODS
25	7.303-110.0	Screw 5x35 -10.9-R2R (In6Rd)	4	PC		
26	5.061-186.0	Bearing cover B	1	PC	VERSION 2	

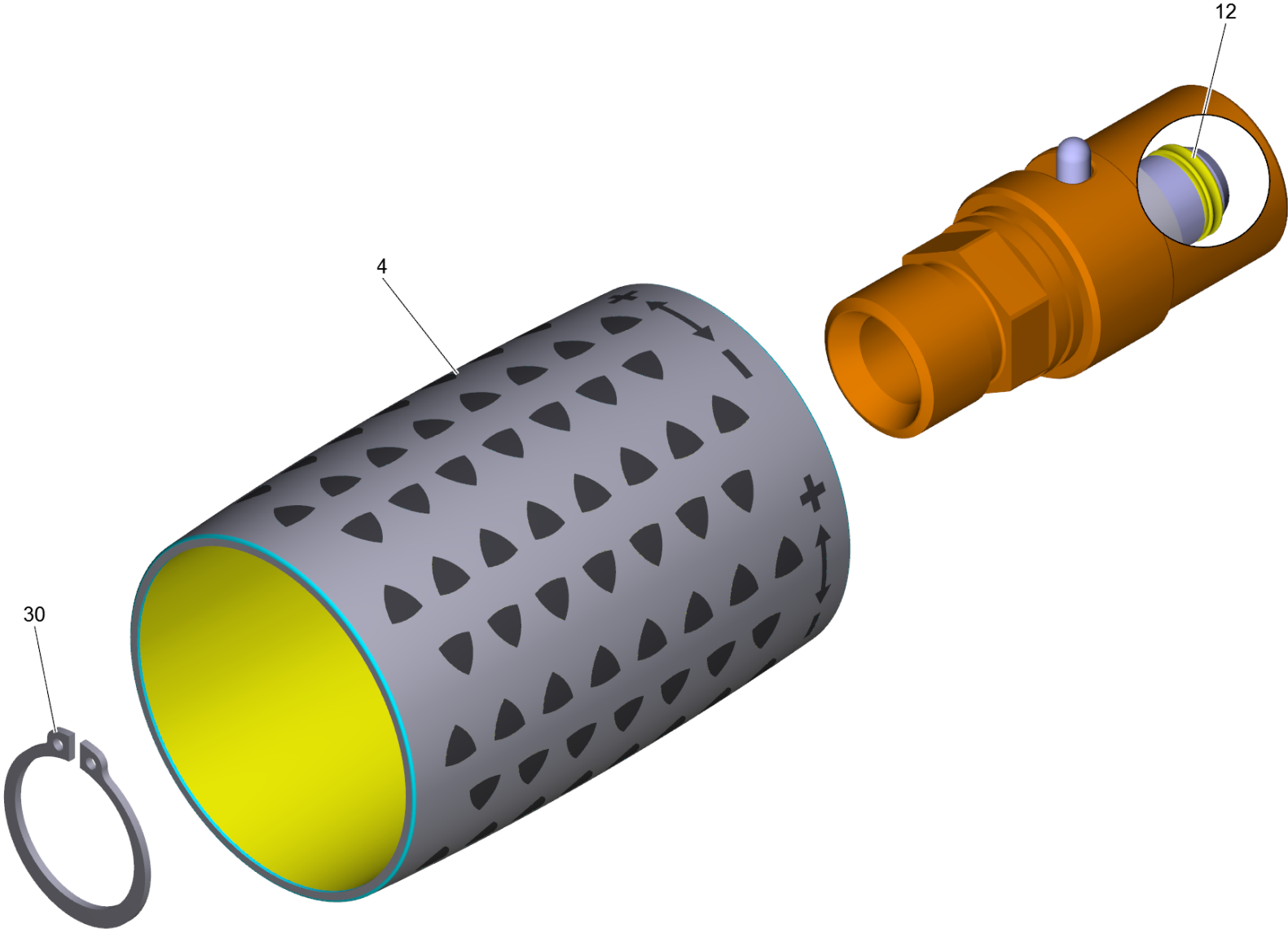
40 Accessories

POS	Description	Quantity	Unit
41	Hand trigger gun	1	PC
42	Hand trigger gun	1	PC
43	Jet pipe	1	PC
44	Double jet pipe	1	PC
45	Foam lance and quick-fitting pipe union	1	PC
46	Nozzle	1	PC



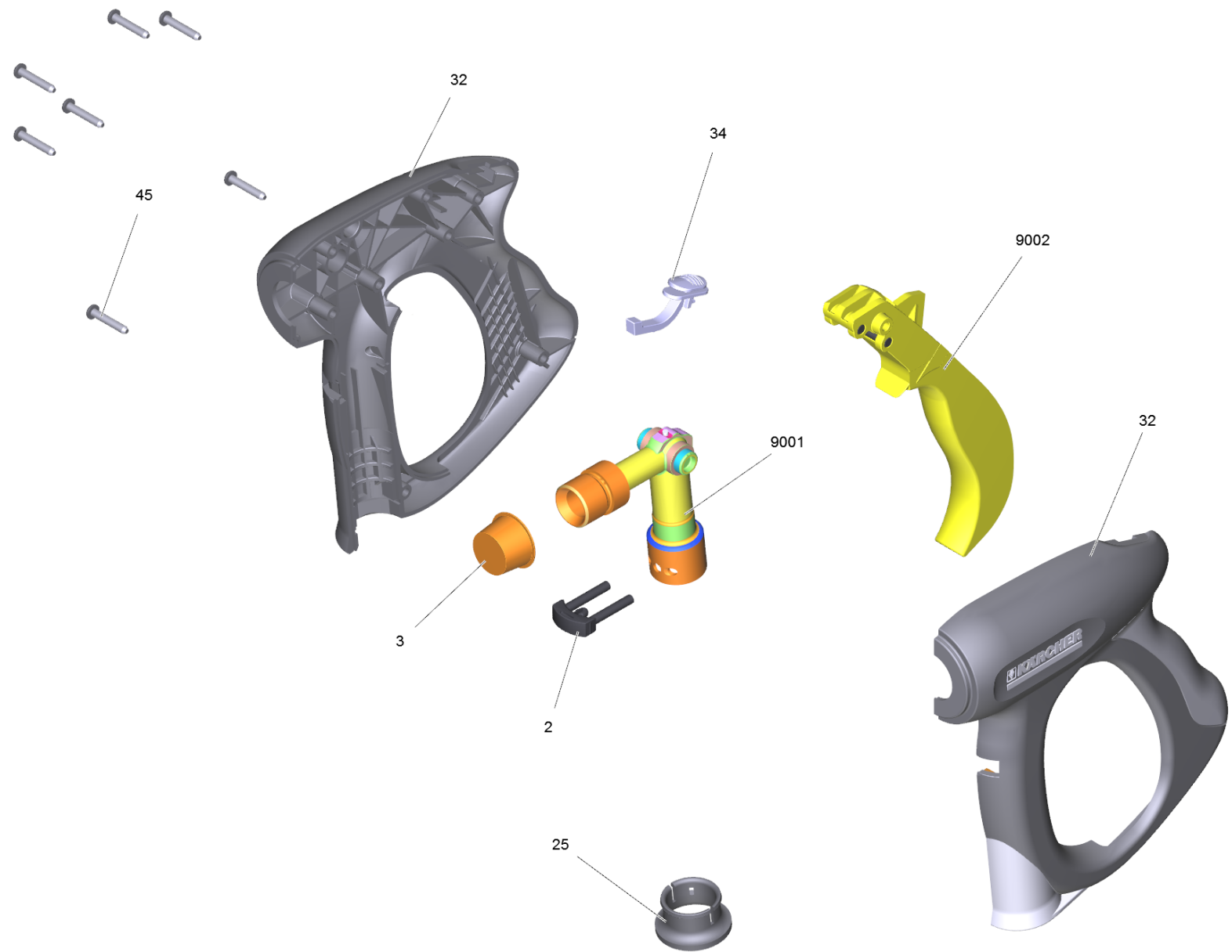
41 Hand trigger gun

POS	Article no.	Description	Quantity	Unit
1	4.775-470.0	Rotary controller 416L	1	PC
	Item text1: 1.286-326.0			
2	7.343-008.0	Locking ring 25x1,2-St-vz DIN 471	1	PC
	Item text1: 1.286-326.0			
3	5.321-668.0	Handle	1	PC
	Item text1: 1.286-326.0			
4	4.363-692.0	Grooved ring kpl. -nur fuer Ersatz-	1	PC
	Item text1: 1.286-326.0			
5	4.775-463.0	HAND TRIGGER GUN EASY PRESS	1	PC
	Item text1: 1.286-320.0 /-323.0 /-325.0 /-326.0 /-328.0 /-329.0 / -331.0			
6	7.303-096.0	Screw 4x22 -ST-10.9-R2R (IN6RD)	7	PC
7	5.481-331.0	Slider	1	PC
8	4.481-209.0	Lever complete	1	PC
9	4.427-215.0	Manifold complete only for replacement	1	PC
10	5.321-669.3	Handhold few	1	PC
11	4.037-013.0	Hook	1	PC
12	5.110-596.0	Sleeve	1	PC
13	6.391-351.0	Hose assembly only for replacement DN8 4	1	PC
	Item text1: / 1.286-320.0 /-325.0 /-328.0 /-329.0 /			
	Item text2: -331.0			
14	4.363-691.0	O-Ring seal kpl. -nur fuer Ersatz-	1	PC
15	2.880-990.0	Spare part set O-Ring 5x -Kaercher	1	PC



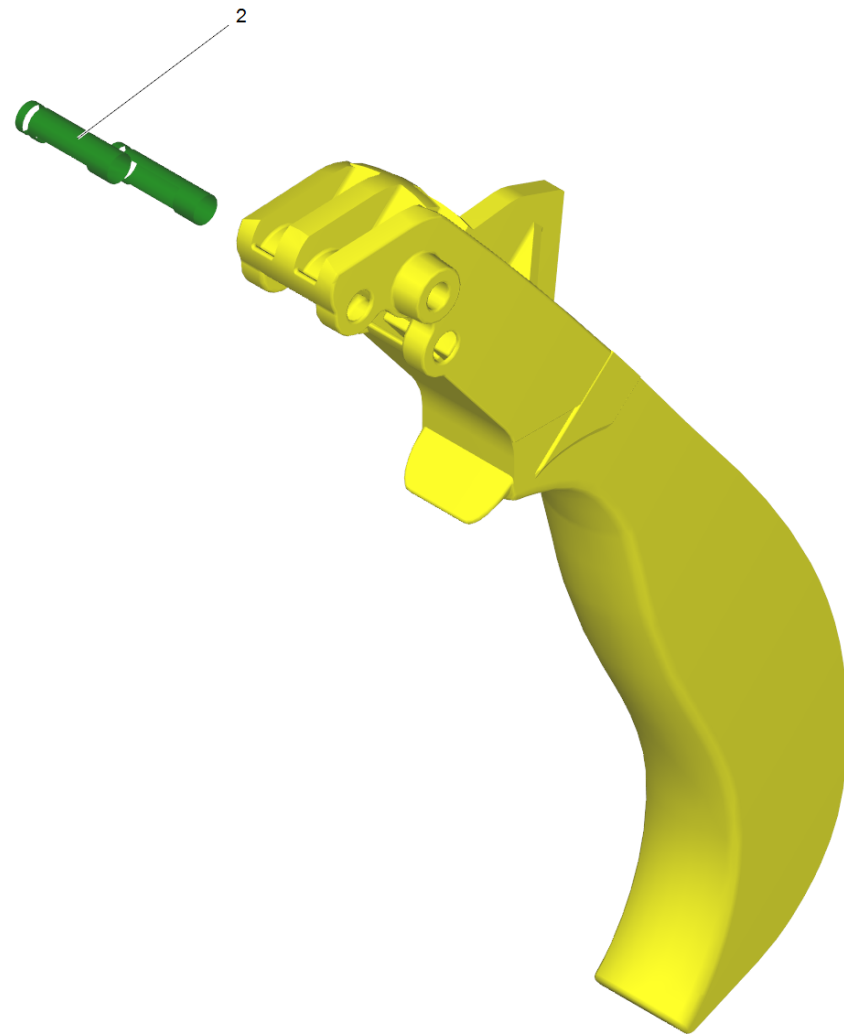
1 Rotary controller 416L (4.775-470.0)

POS	Article no.	Description	Quantity	Unit
4	5.321-668.0	Handle	1	PC
12	2.880-001.0	Spare part set seals TR	1	PC
30	7.343-069.0	Locking ring 25x1,2-1.4122 DIN 471	1	PC



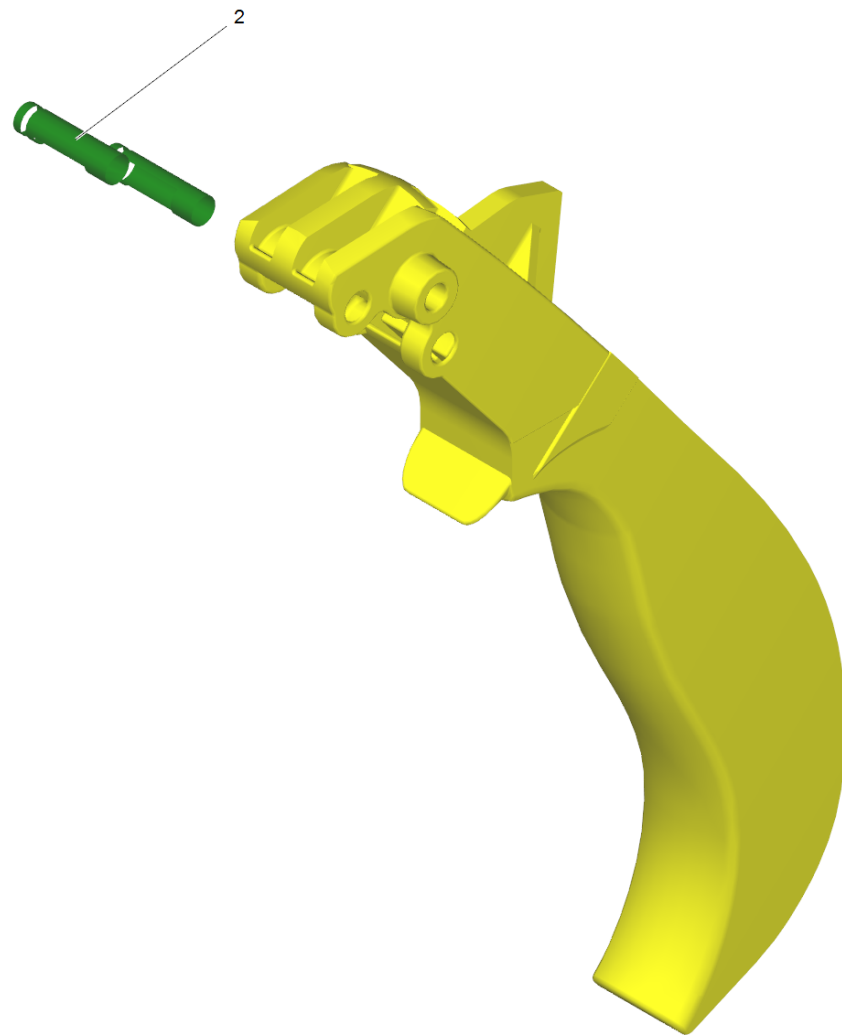
5 HAND TRIGGER GUN EASY PRESS (4.775-463.0)

POS	Article no.	Description	Quantity	Unit
2	4.037-013.0	Hook	1	PC
3	6.368-012.0	Protecting cap 22X1,5	1	PC
4	6.869-075.0	Metal bonding agent 1,5 ml	1	PC
cart_info_txt: This material is not available due to hazardous good regulation. Please procure this or a similar material from a local supplier of your choice.				
25	5.110-596.0	Sleeve	1	PC
32	5.321-669.3	Handhold few	1	PC
34	5.481-331.0	Slider	1	PC
45	7.303-096.0	Screw 4x22 -ST-10.9-R2R (IN6RD)	7	PC
1041	6.288-044.0	Silicon grease 100 G	1	PC
9001	4.427-215.0	Manifold complete only for replacement	1	PC
9002	4.481-209.0	Lever complete	1	PC



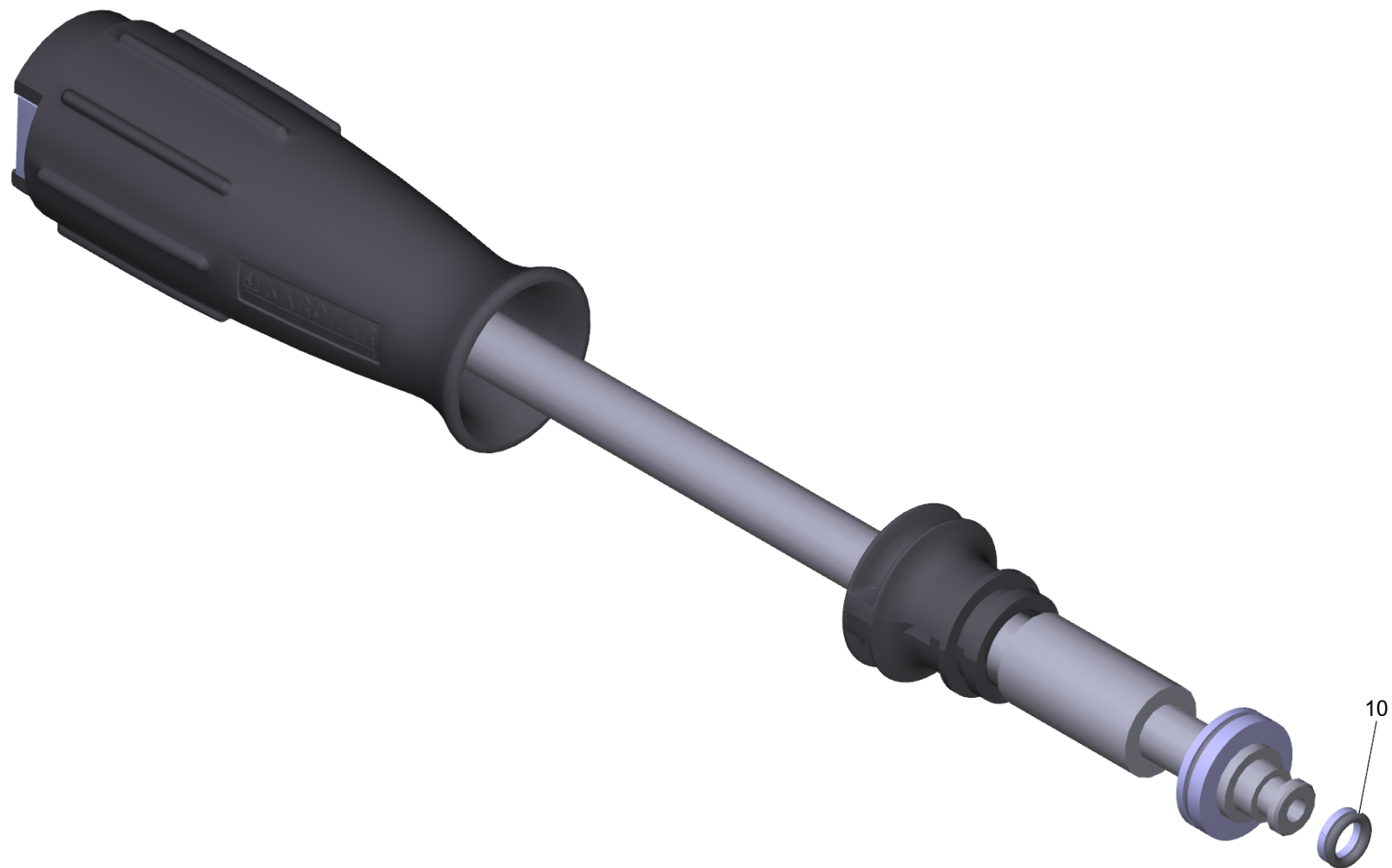
9002 Lever complete (4.481-209.0)

POS	Article no.	Description	Quantity	Unit
2	5.314-119.0	Pin	2	PC



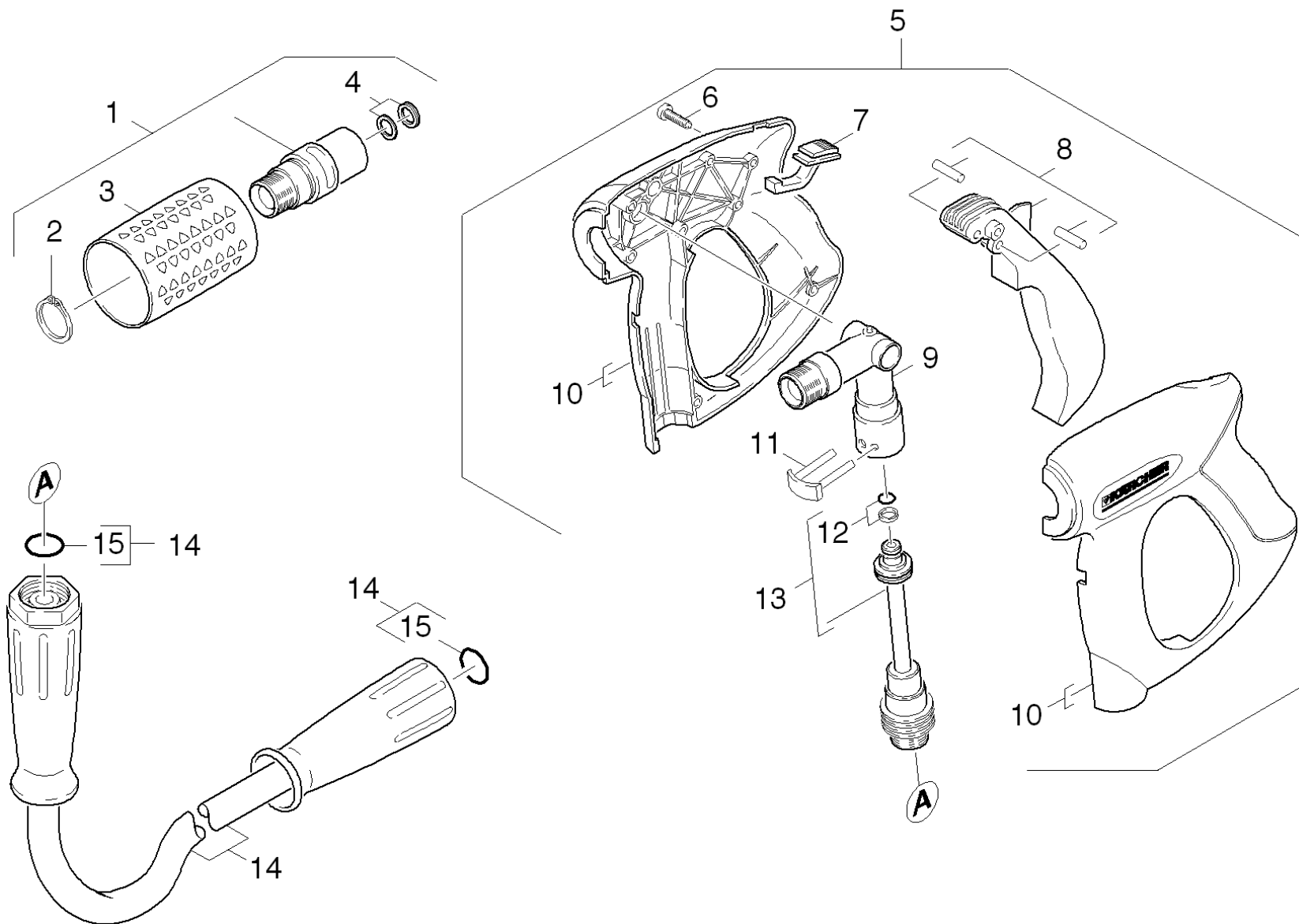
8 Lever complete (4.481-209.0)

POS	Article no.	Description	Quantity	Unit
2	5.314-119.0	Pin	2	PC



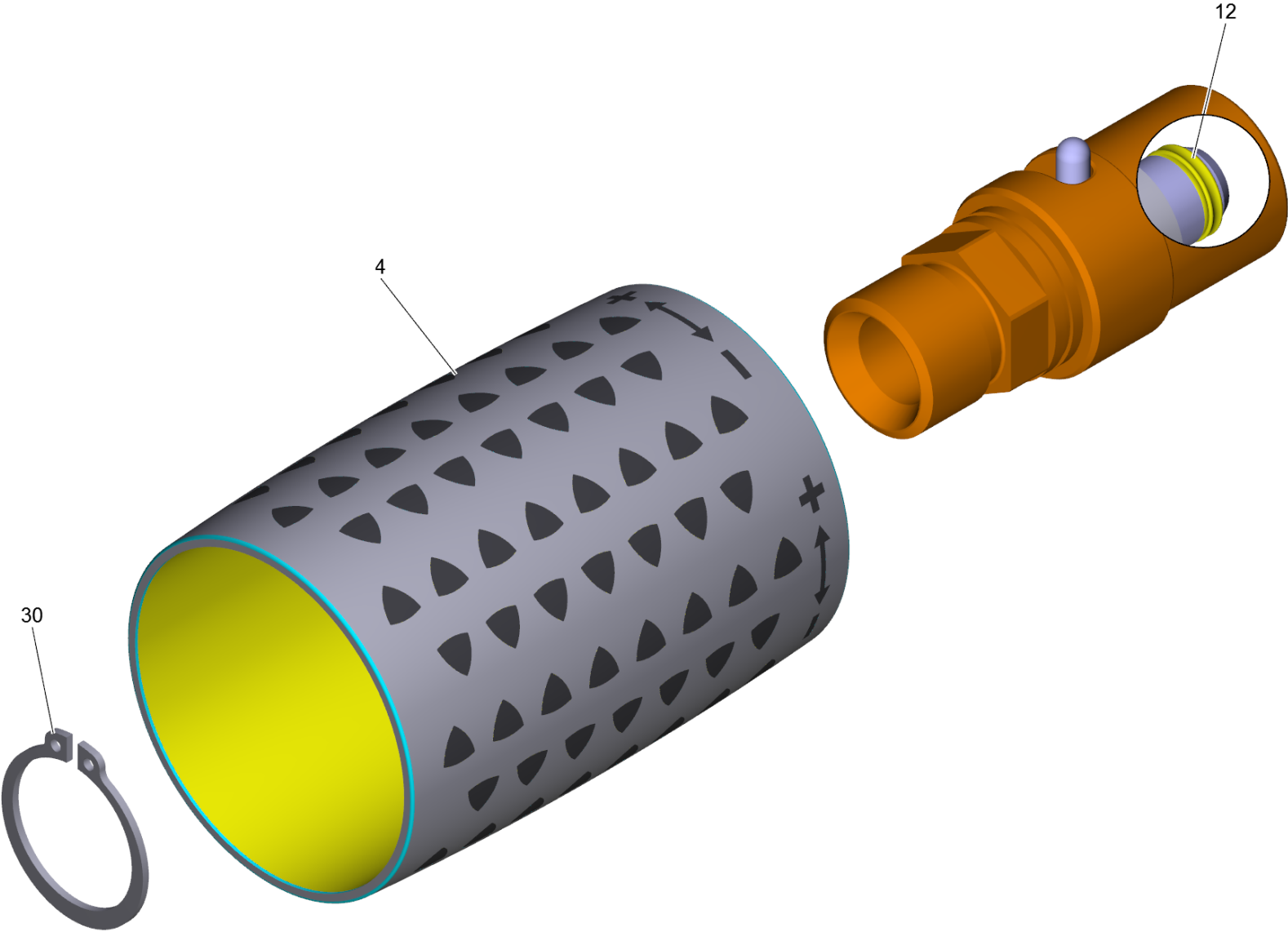
13 Hose assembly only for replacement DN8 4 (6.391-351.0)

POS	Article no.	Description	Quantity	Unit
10	4.363-691.0	O-Ring seal kpl. -nur fuer Ersatz-	1	PC



42 Hand trigger gun

POS	Article no.	Description	Quantity	Unit
1	4.775-470.0	Rotary controller 416L	1	PC
	Item text1: 1.286-114.0 / -327.0			
2	7.343-008.0	Locking ring 25x1,2-St-vz DIN 471	1	PC
	Item text1: 1.286-114.0 / -327.0			
3	5.321-668.0	Handle	1	PC
	Item text1: 1.286-114.0 / -327.0			
4	4.363-692.0	Grooved ring kpl. -nur fuer Ersatz-	1	PC
	Item text1: 1.286-114.0 / -327.0			
5	4.775-466.0	Hand trigger gun	1	PC
	Item text1: / 1.286-114.0 /-320.0 /-321.0 /-322.0 / /-324.0 /-327.0 /-330.0 /-332.0 /			
6	7.303-096.0	Screw 4x22 -ST-10.9-R2R (IN6RD)	7	PC
7	5.481-331.0	Slider	1	PC
8	4.481-209.0	Lever complete	1	PC
9	4.427-215.0	Manifold complete only for replacement	1	PC
10	5.321-669.3	Handhold few	1	PC
11	4.037-013.0	Hook	1	PC
12	4.363-691.0	O-Ring seal kpl. -nur fuer Ersatz-	1	PC
13	4.421-739.3	Adapter pipelines AVS-M22x1,5	1	PC
	Item text1: / 1.286-114.0 /-320.0 /-321.0 /-322.0			
	Item text2: /-324.0 /-330.0 /			
14	6.390-208.0	Hose assembly DN8 40MPa 20m	1	PC
	Item text1: 1.286-324.0 /-330.0 /-332.0 /			
14	6.391-342.0	Hose assembly only for replacement DN8 3	1	PC
	Item text1: 1.286-320.0			
14	6.391-354.0	Hose assembly only for replacement DN8 4	1	PC
	Item text1: / 1.286-114.0 / -321.0 / -322.0			
15	2.880-990.0	Spare part set O-Ring 5x -Kaercher	1	PC



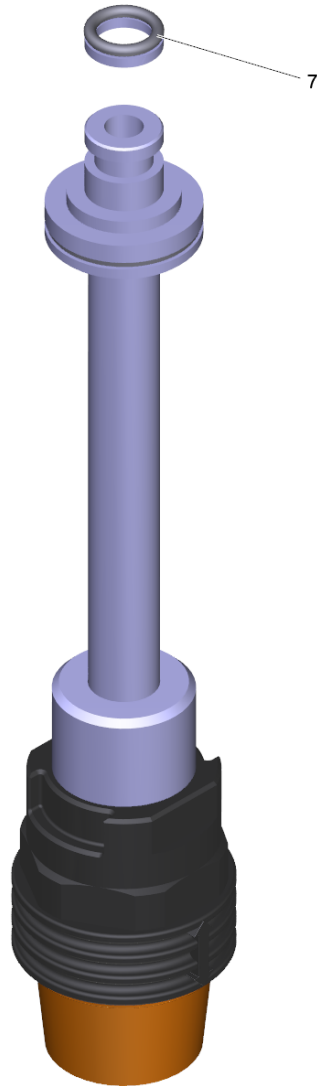
1 Rotary controller 416L (4.775-470.0)

POS	Article no.	Description	Quantity	Unit
4	5.321-668.0	Handle	1	PC
12	2.880-001.0	Spare part set seals TR	1	PC
30	7.343-069.0	Locking ring 25x1,2-1.4122 DIN 471	1	PC



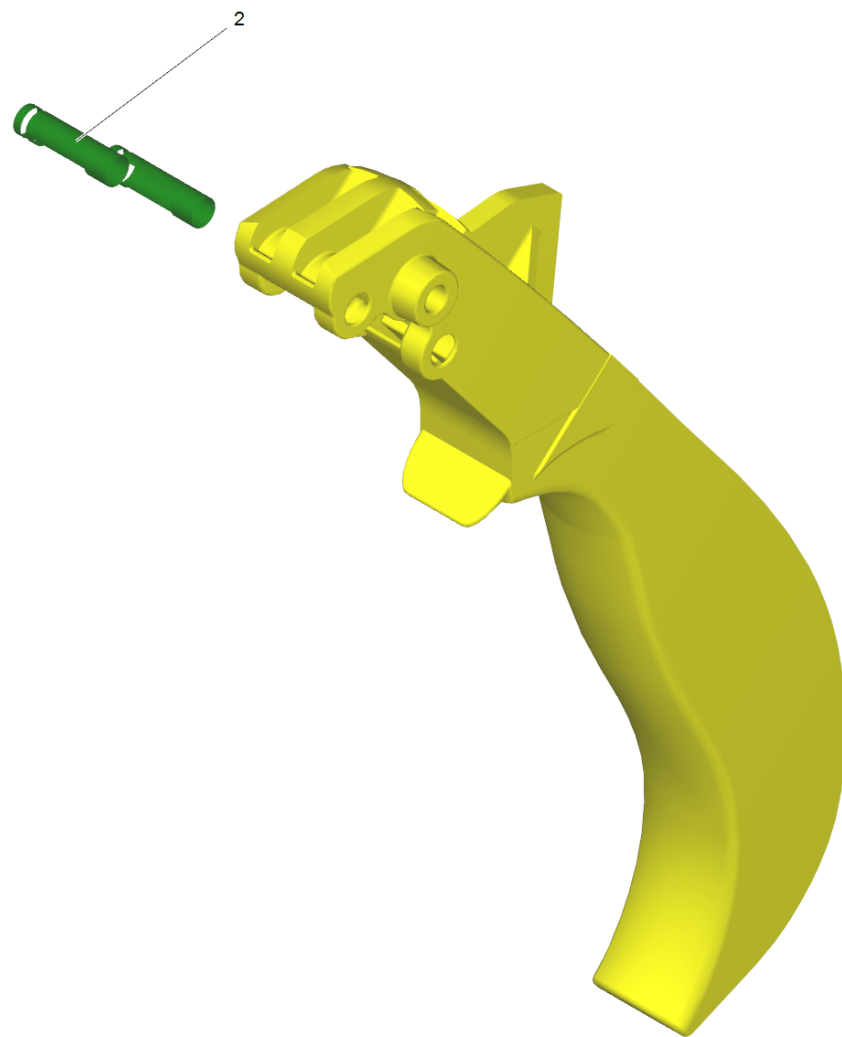
5 Hand trigger gun (4.775-466.0)

POS	Article no.	Description	Quantity	Unit
2	4.037-013.0	Hook	1	PC
32	5.321-669.3	Handhold few	1	PC
34	5.481-331.0	Slider	1	PC
45	7.303-096.0	Screw 4x22 -ST-10.9-R2R (IN6RD)	7	PC
60	4.421-739.3	Adapter pipelines AVS-M22x1,5	1	PC
9001	4.427-215.0	Manifold complete only for replacement	1	PC
9002	4.481-209.0	Lever complete	1	PC



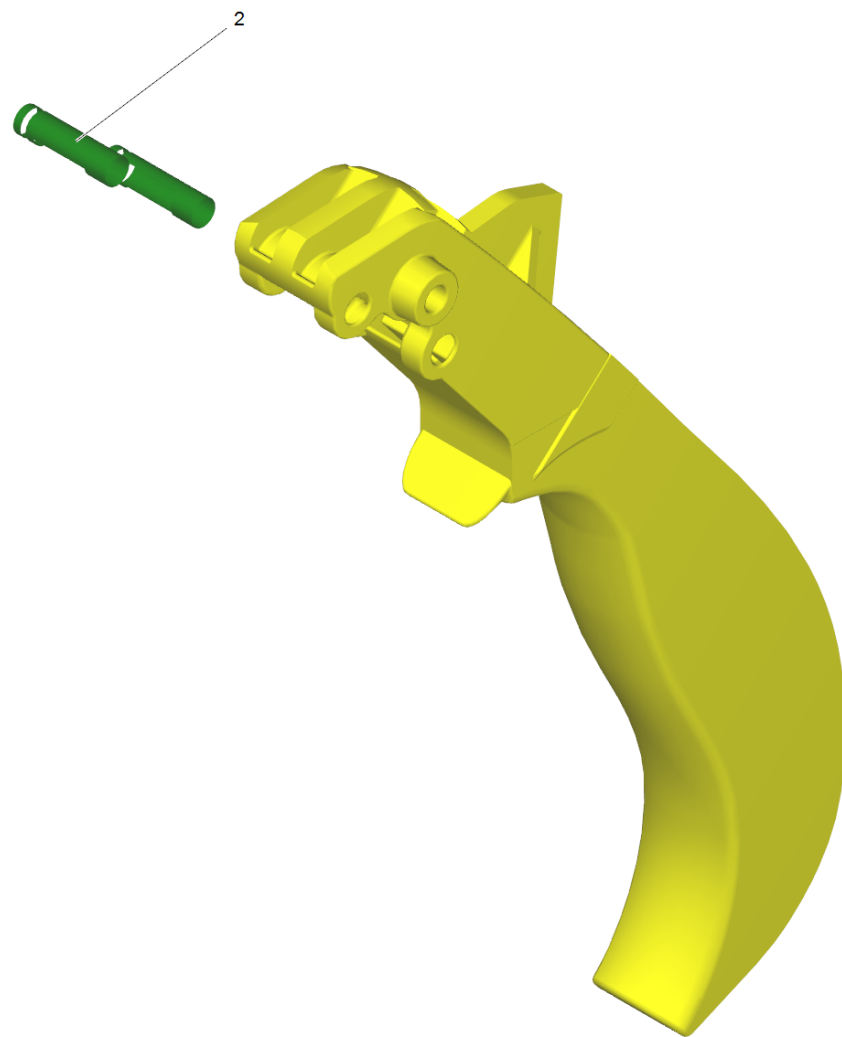
60 Adapter pipelines AVS-M22x1,5 (4.421-739.3)

POS	Article no.	Description	Quantity	Unit
7	4.363-691.0	O-Ring seal kpl. -nur fuer Ersatz-	1	PC



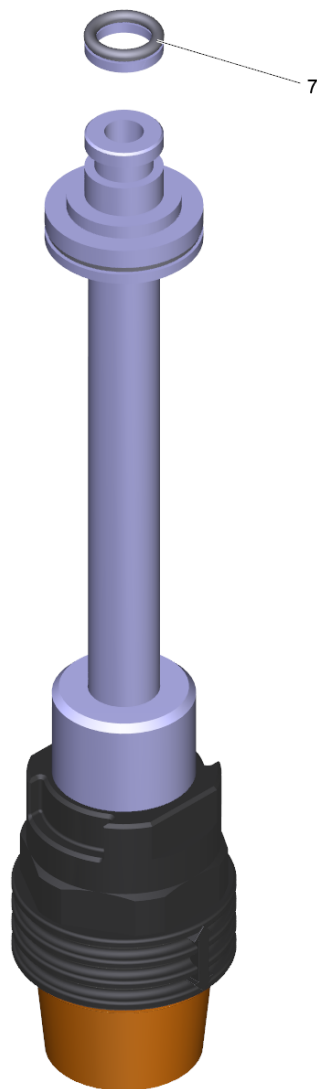
9002 Lever complete (4.481-209.0)

POS	Article no.	Description	Quantity	Unit
2	5.314-119.0	Pin	2	PC



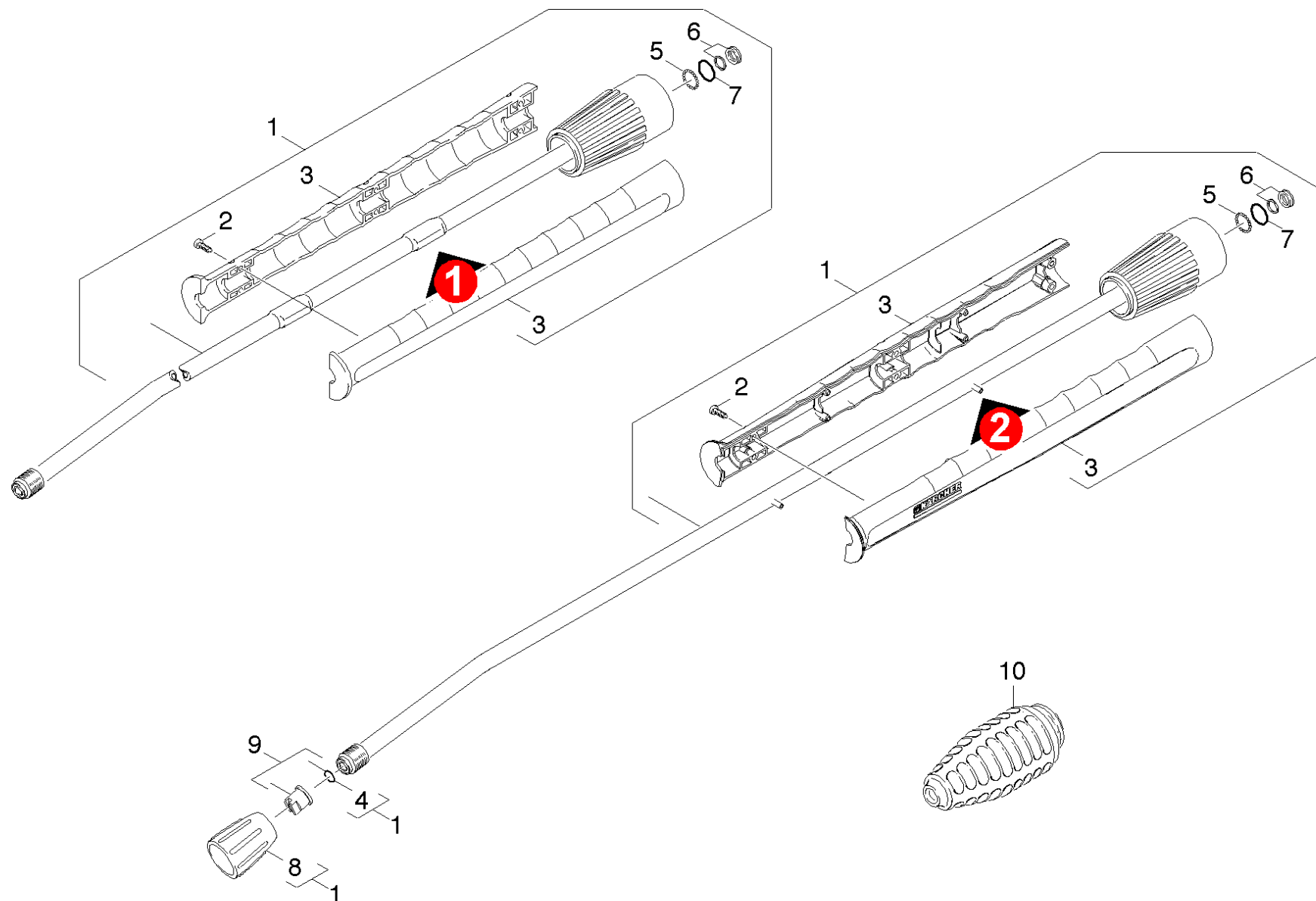
8 Lever complete (4.481-209.0)

POS	Article no.	Description	Quantity	Unit
2	5.314-119.0	Pin	2	PC



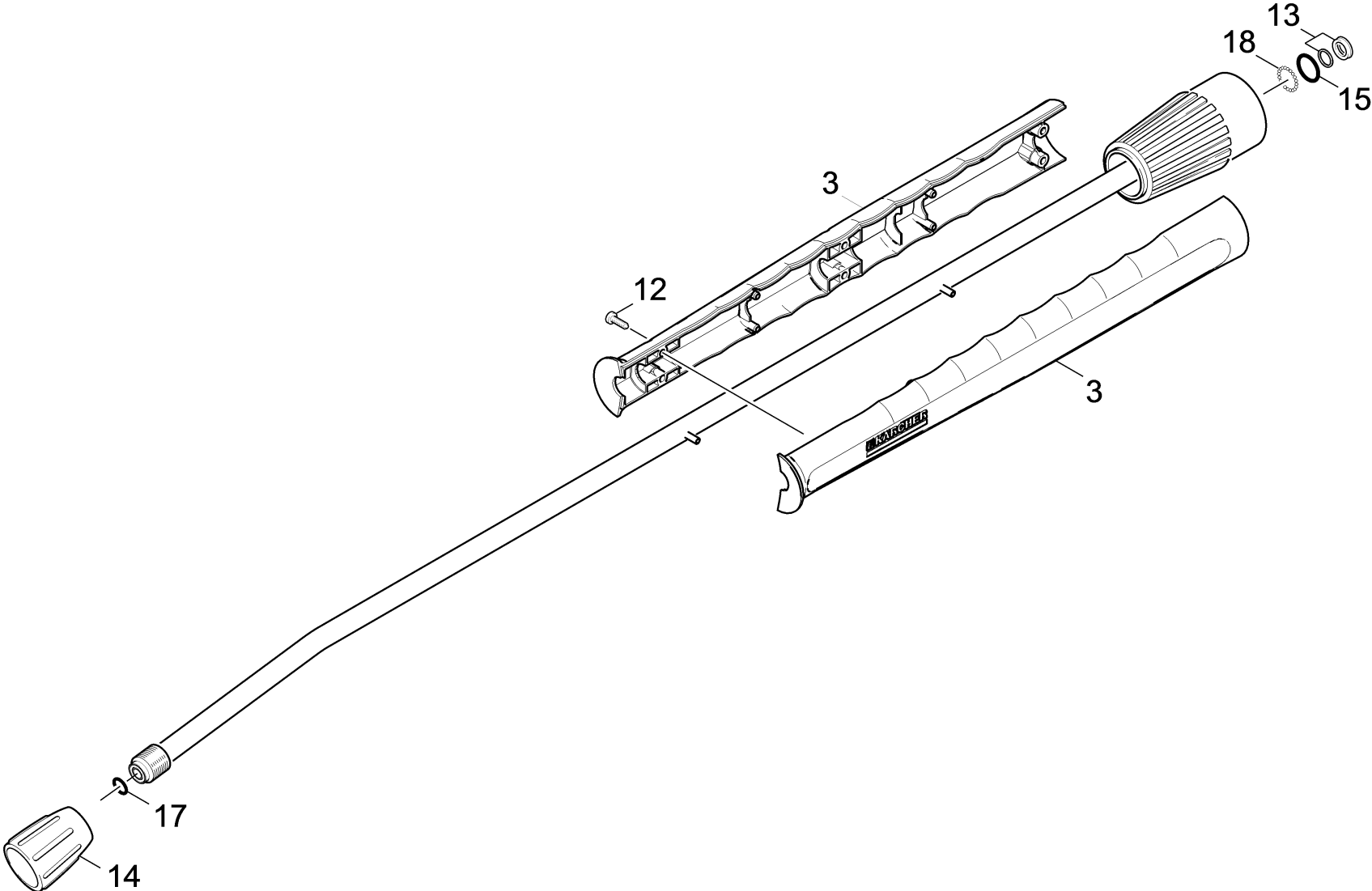
13 Adapter pipelines AVS-M22x1,5 (4.421-739.3)

POS	Article no.	Description	Quantity	Unit
7	4.363-691.0	O-Ring seal kpl. -nur fuer Ersatz-	1	PC



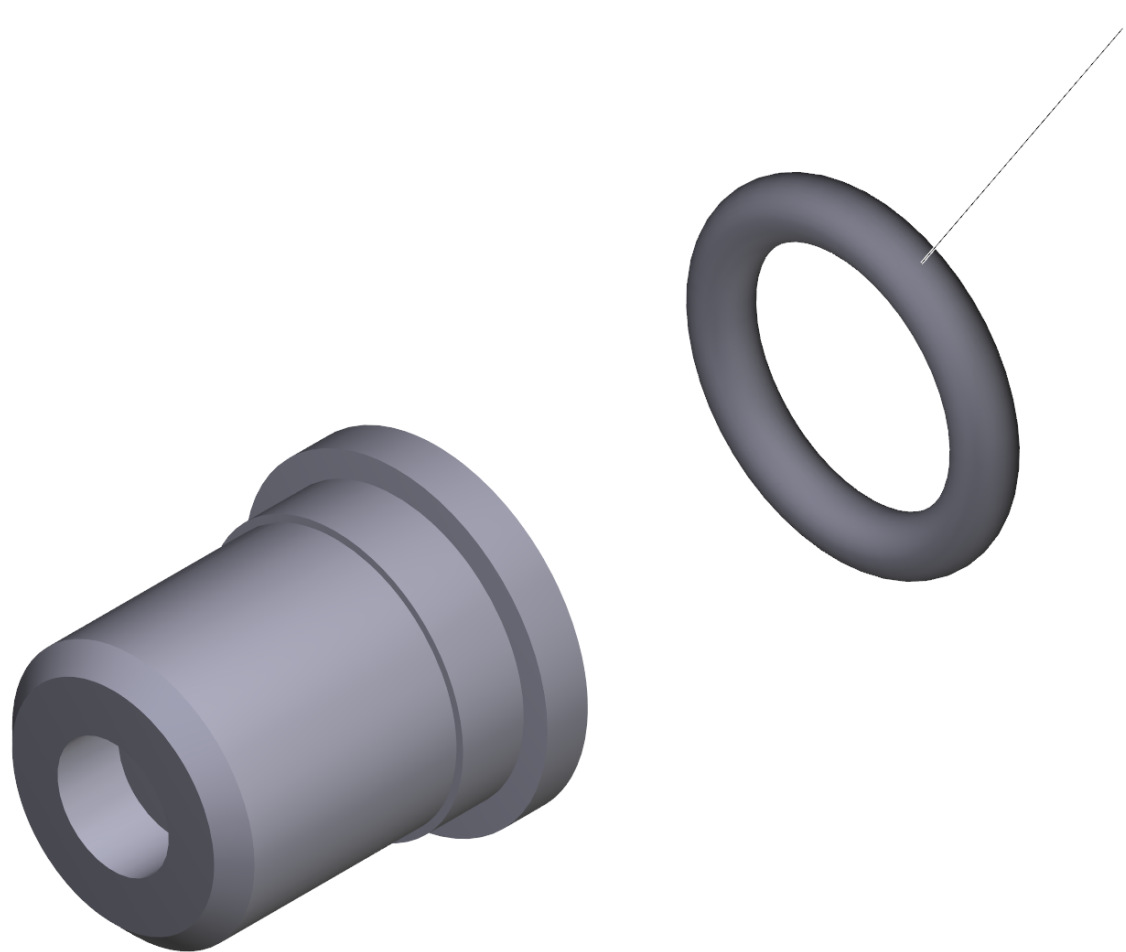
43 Jet pipe

POS	Article no.	Description	Quantity	Unit	Remark	Foot note text
1	4.760-660.0	Jet pipe packaged only for replacement	1	PC		
2	7.303-129.0	Screw 4x16 -10.9-R2R (K-In6Rd)	6	PC		
3	5.321-691.0	Handhold few jet pipe	1	PC	VERSION 1	
3	5.321-855.0	Handhold few jet pipe with welding bolt	1	PC	VERSION 2	
4	2.880-990.0	Spare part set O-Ring 5x -Kaercher	1	PC		
5	7.401-915.0	Sphere 2,5 G40 -1.4034 DIN 5401	20	PC		
6	4.363-692.0	Grooved ring kpl. -nur fuer Ersatz-	1	PC		
7	6.362-524.0	O-Ring seal 17,0 X 1,5	1	PC		
8	5.401-129.0	Screw connector part	1	PC		
9	2.883-399.0	Power nozzle 25050	1	PC		HIGH PRESSURE
	Item text1: / 1.286-114.0 /-328.0 /-329.0 /-330.0 /					
9	2.883-400.0	Power nozzle 25052	1	PC		HIGH PRESSURE
	Item text1: / 1.286-320.0 / -324.0 / -325.0 / -326.0					
	Item text2: / -327.0					
9	2.883-401.0	Power nozzle 25055	1	PC		LOW-PRESSURE
	Item text1: / 1.286-321.0 / -322.0					
9	2.884-521.0	Power nozzle 25250	1	PC		LOW-PRESSURE
	Item text1: / 1.286-114.0 /-320.0 /-324.0 /-325.0					
	Item text2: /-326.0 /-327.0 /-328.0 /-329.0 /-330.0					
10	4.763-250.0	Dirt blaster 055/06	1	PC		
	Item text1: 1.286-323.0 / -326.0 / -327.0 / -331.0 /					
	Item text2: -332.0 /					
10	4.763-253.0	Dirt blaster 05	1	PC		
	Item text1: 1.286-329.0 /-330.0 /					



1 Jet pipe packaged only for replacement (4.760-660.0)

POS	Article no.	Description	Quantity	Unit
3	5.321-855.0	Handhold few jet pipe with welding bolt	1	PC
12	7.303-129.0	Screw 4x16 -10.9-R2R (K-In6Rd)	6	PC
13	4.363-692.0	Grooved ring kpl. -nur fuer Ersatz-	1	PC
14	5.401-210.0	Screw connector part	1	PC
15	6.362-524.0	O-Ring seal 17,0 X 1,5	1	PC
17	2.880-990.0	Spare part set O-Ring 5x -Kaercher	1	PC
18	7.401-915.0	Sphere 2,5 G40 -1.4034 DIN 5401	1	PC



9 Power nozzle 25050 (2.883-399.0)

POS	Article no.	Description	Quantity	Unit
1	7.362-501.0	O-Ring seal 10x2 EPDM 70 DIN 3770	1	PC

9 Power nozzle 25055 (2.883-401.0)

POS	Article no.	Description	Quantity	Unit
2	7.362-501.0	O-Ring seal 10x2 EPDM 70 DIN 3770	1	PC

9 Power nozzle 25250 (2.884-521.0)

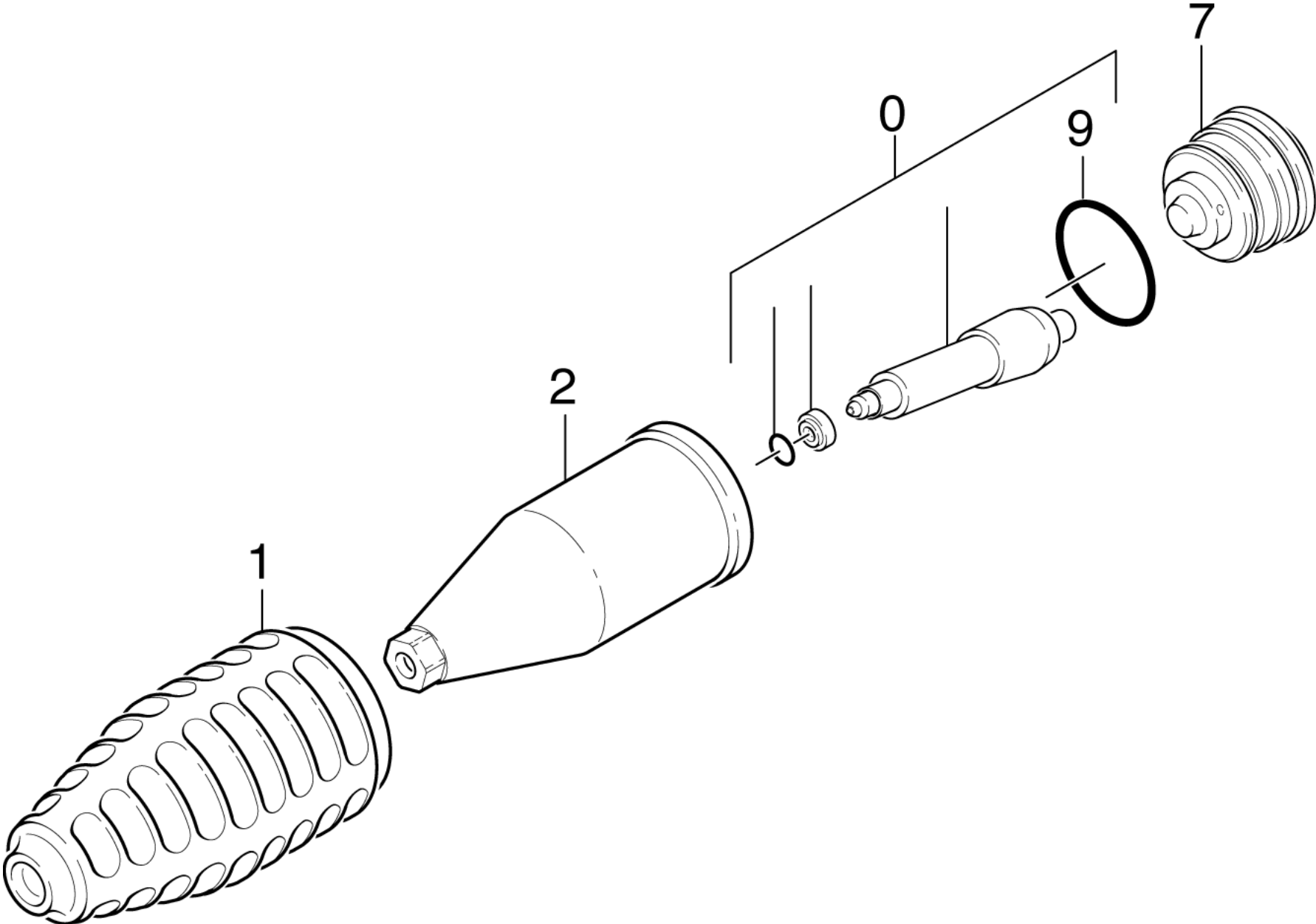
POS	Article no.	Description	Quantity	Unit
2	7.362-501.0	O-Ring seal 10x2 EPDM 70 DIN 3770	1	PC

10 Dirt blaster 055/06 (4.763-250.0)

POS	Article no.	Description	Quantity	Unit
11	5.955-641.0	Spare parts list dirt blaster	1	PC

11 Spare parts list dirt blaster (5.955-641.0)

POS	Description	Quantity	Unit
10	Dirt blaster	1	PC

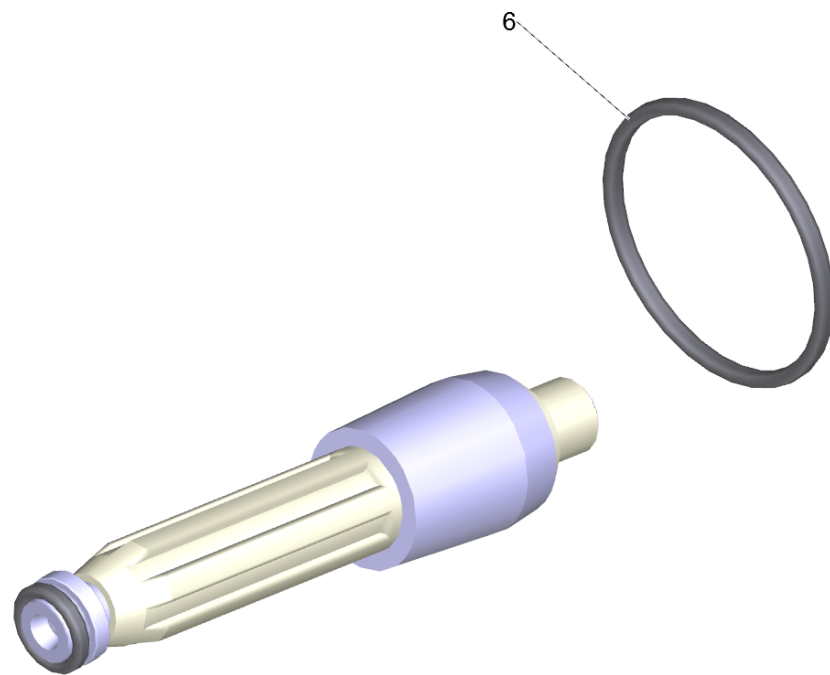


10 Dirt blaster

POS	Article no.	Description	Quantity	Unit	Remark
0	2.881-025.0	Spare part set rotor 170	1	PC	4.764-201.0
0	2.884-052.0	Spare part set dirt blaster 035	1	PC	4.763-931.0
		Item text1: / 4.763-931.0			
0		Spare part set rotor 125	1	PC	4.764-204.0
0	2.884-316.0	Spare part set dirt blaster 09	1	PC	
		Item text1: / 4.767-076.0			
0	2.884-114.0	Spare part set dirt blaster 065	1	PC	4.763-989.0
		Item text1: / 4.763-989.0			
0	2.884-113.0	Spare part set dirt blaster 045	1	PC	4.763-988.0
		Item text1: / 4.763-988.0			
0	2.885-196.0	Spare parts set rotor 100	1	PC	4.764-208.0
0	2.884-051.0	Spare part set dirt blaster 120	1	PC	4.763-930.0
		Item text1: / 4.763-930.0			
0	2.883-474.0	Spare part set dirt blaster 07/08-HDS 8	1	PC	4.763-254.0
		Item text1: / 4.763-254.0			
0	2.883-473.0	Spare part set dirt blaster 055/06	1	PC	4.763-250.0
		Item text1: / 4.763-250.0			
0	2.883-472.0	Spare part set dirt blaster 05	1	PC	4.763-253.0
		Item text1: / 4.763-253.0			
0	2.883-471.0	Spare part set dirt blaster 04-HD 1050	1	PC	4.763-252.0
		Item text1: / 4.763-252.0			
1	5.394-375.0	Protection part	1	PC	
2	5.060-500.3	Housing	1	PC	
7	5.063-618.0	Cover DGR F 055/F 06	1	PC	4.763-250/-938
		Item text1: / 4.763-250.0			
7	5.063-626.0	Cover DGR F 04	1	PC	4.763-252/-936
		Item text1: / 4.763-252.0			
7	5.063-647.0	Cover DGR F 05	1	PC	
		Item text1: / 4.763-253.0			
7	5.063-648.0	Cover DGR F 70/F 08	1	PC	
		Item text1: / 4.763-254.0 / 4.767-076.0			
7	5.063-708.0	Cover	1	PC	
		Item text1: / 4.763-930.0			

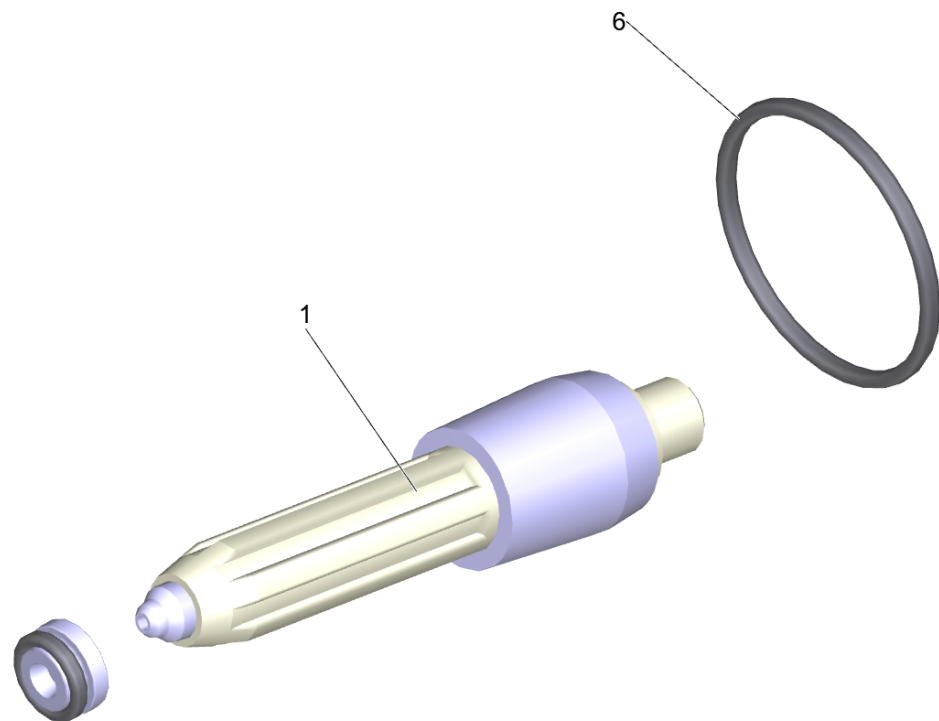
10 Dirt blaster

POS	Article no.	Description	Quantity	Unit	Remark
7	5.063-709.0	Cover	1	PC	
	Item text1: / 4.763-931.0				
7	5.064-357.0	Cover high-pressure 25/15-4	1	PC	4.764-201.0 / 4.764-208.0
7		Cover high-pressure 20/15	1	PC	4.764-204.0
9	6.362-463.0	O-Ring seal 28,0 X 2,0-NBR 78	1	PC	



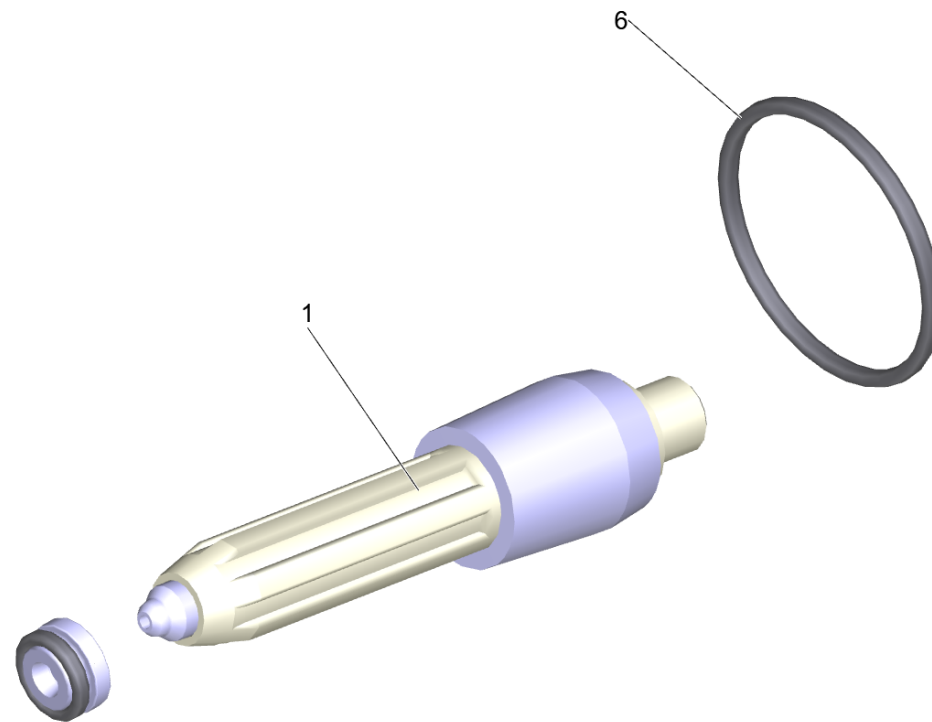
Spare part set rotor 170 (2.881-025.0)

POS	Article no.	Description	Quantity	Unit
6	6.362-463.0	O-Ring seal 28,0 X 2,0-NBR 78	1	PC



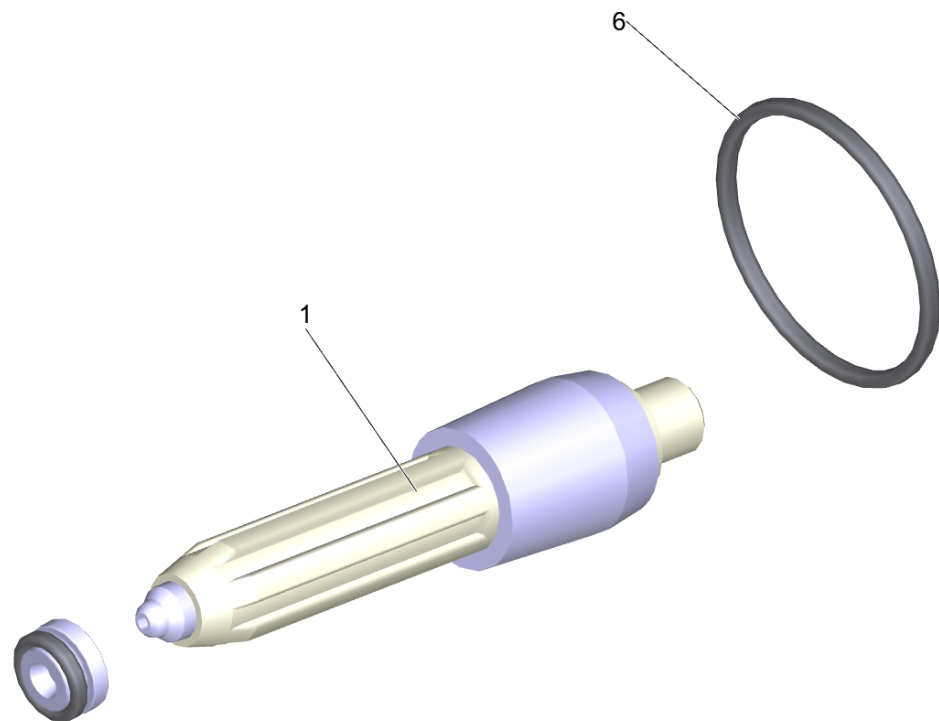
Spare part set dirt blaster 04-HD 1050 (2.883-471.0)

POS	Article no.	Description	Quantity	Unit
1	4.762-122.0	Rotor complete 04	1	PC
6	6.362-463.0	O-Ring seal 28,0 X 2,0-NBR 78	1	PC



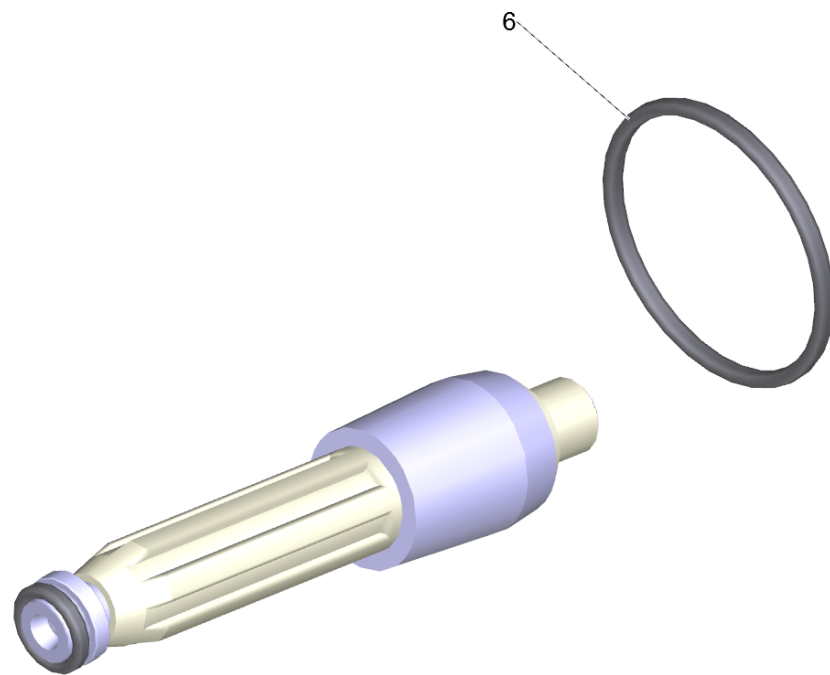
Spare part set dirt blaster 05 (2.883-472.0)

POS	Article no.	Description	Quantity	Unit
1	4.762-123.0	Rotor complete 05	1	PC
6	6.362-463.0	O-Ring seal 28,0 X 2,0-NBR 78	1	PC



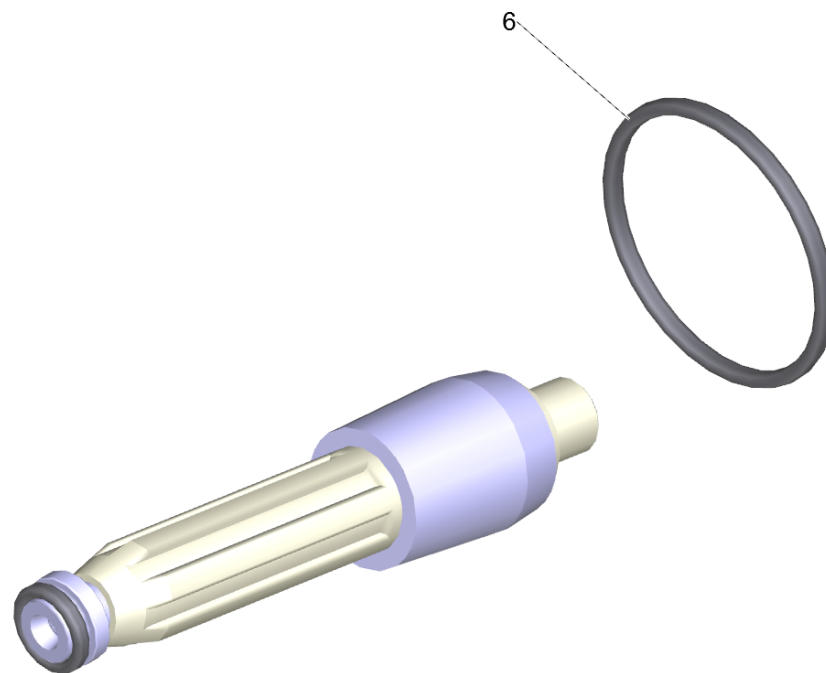
Spare part set dirt blaster 055/06 (2.883-473.0)

POS	Article no.	Description	Quantity	Unit
1	4.762-124.0	Rotor complete 055/06	1	PC
6	6.362-463.0	O-Ring seal 28,0 X 2,0-NBR 78	1	PC



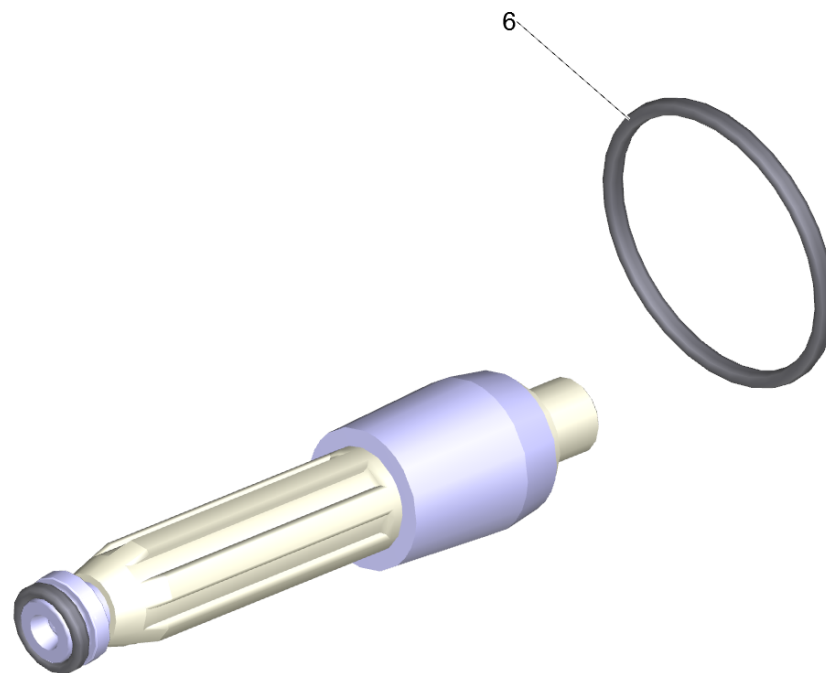
Spare part set dirt blaster 07/08-HDS 8 (2.883-474.0)

POS	Article no.	Description	Quantity	Unit
6	6.362-463.0	O-Ring seal 28,0 X 2,0-NBR 78	1	PC



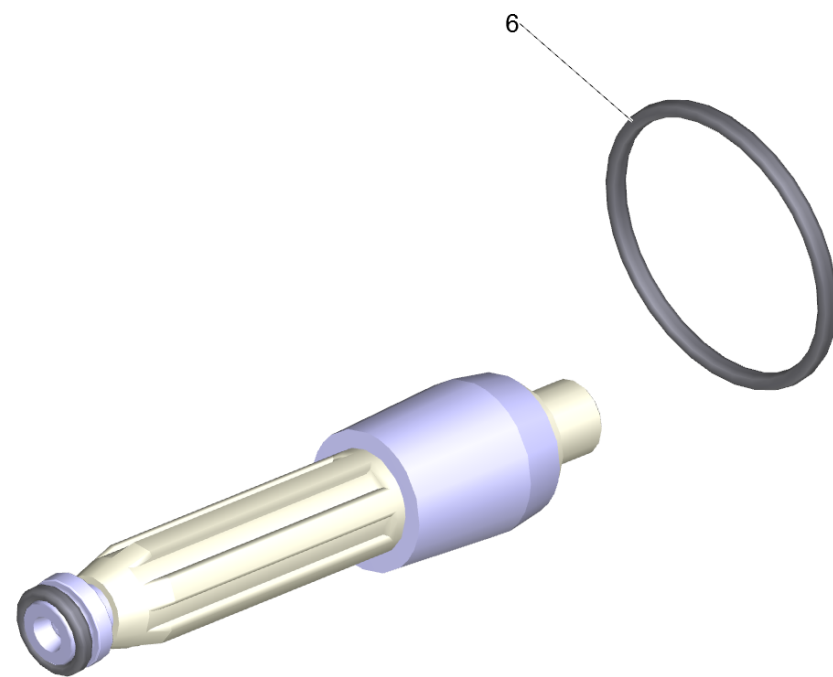
Spare part set dirt blaster 120 (2.884-051.0)

POS	Article no.	Description	Quantity	Unit
6	6.362-463.0	O-Ring seal 28,0 X 2,0-NBR 78	1	PC



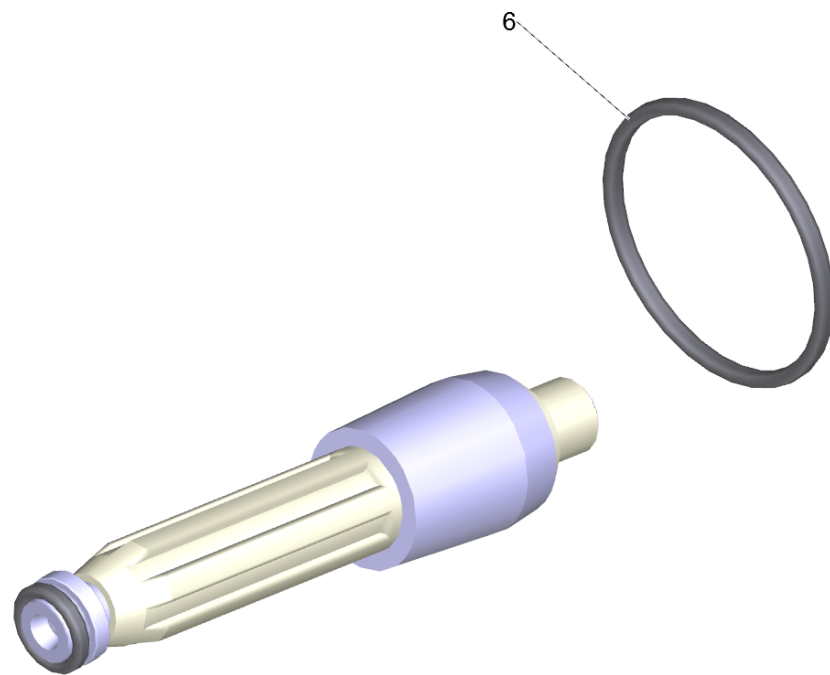
Spare part set dirt blaster 035 (2.884-052.0)

POS	Article no.	Description	Quantity	Unit
6	6.362-463.0	O-Ring seal 28,0 X 2,0-NBR 78	1	PC



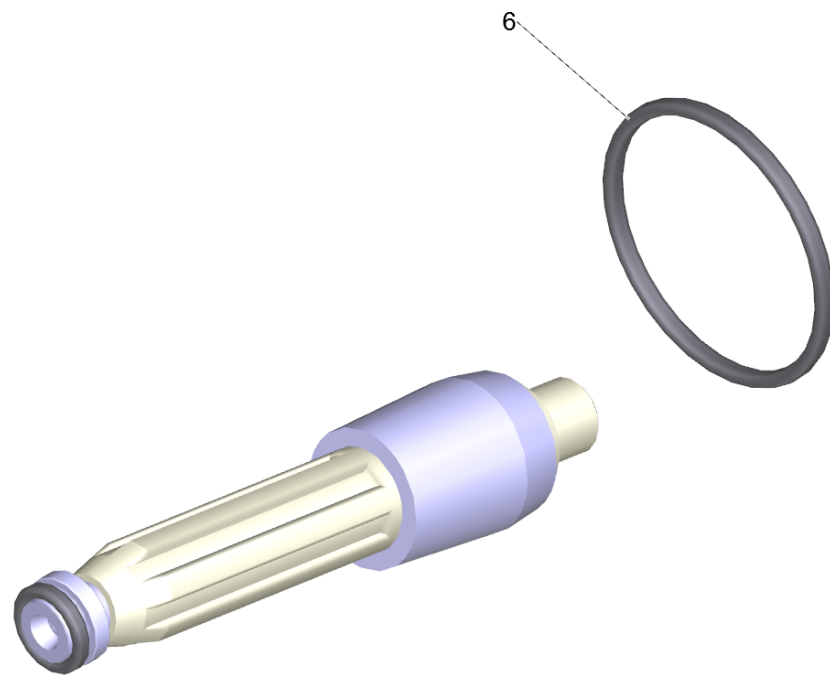
Spare part set dirt blaster 045 (2.884-113.0)

POS	Article no.	Description	Quantity	Unit
6	6.362-463.0	O-Ring seal 28,0 X 2,0-NBR 78	1	PC



Spare part set dirt blaster 09 (2.884-316.0)

POS	Article no.	Description	Quantity	Unit
6	6.362-463.0	O-Ring seal 28,0 X 2,0-NBR 78	1	PC



Spare parts set rotor 100 (2.885-196.0)

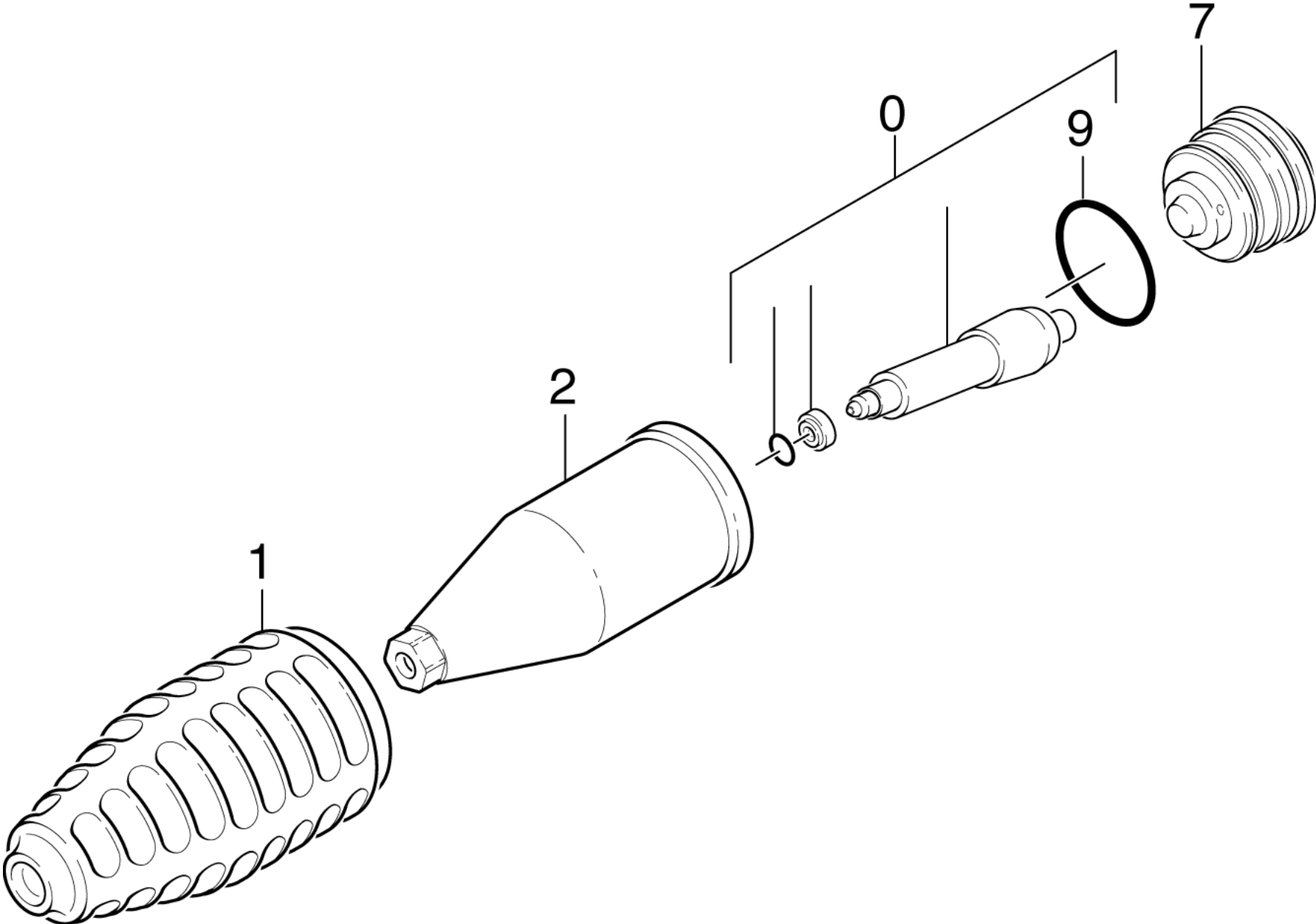
POS	Article no.	Description	Quantity	Unit
6	6.362-463.0	O-Ring seal 28,0 X 2,0-NBR 78	1	PC

10 Dirt blaster 05 (4.763-253.0)

POS	Article no.	Description	Quantity	Unit
11	5.955-641.0	Spare parts list dirt blaster	1	PC

11 Spare parts list dirt blaster (5.955-641.0)

POS	Description	Quantity	Unit
10	Dirt blaster	1	PC

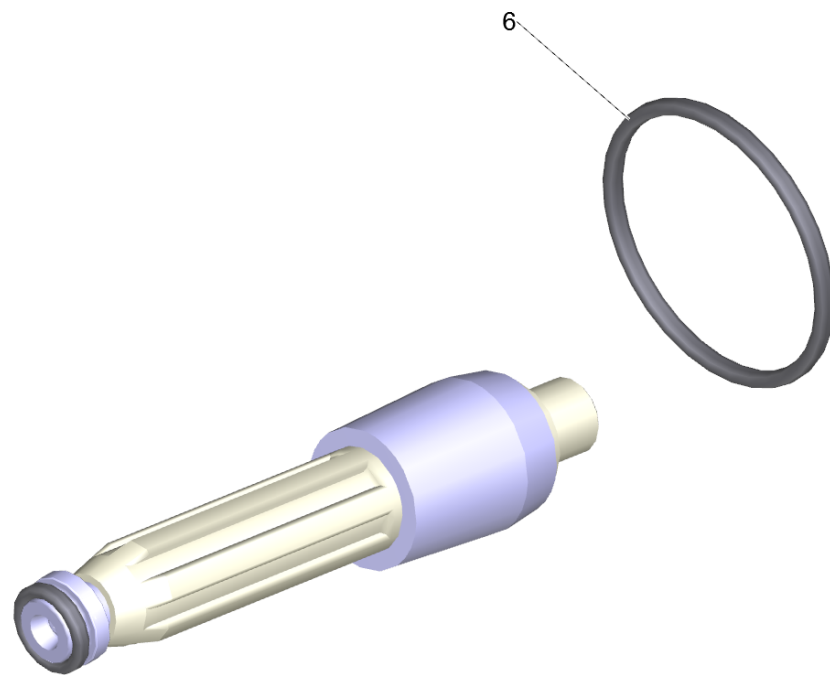


10 Dirt blaster

POS	Article no.	Description	Quantity	Unit	Remark
0	2.881-025.0	Spare part set rotor 170	1	PC	4.764-201.0
0	2.884-052.0	Spare part set dirt blaster 035	1	PC	4.763-931.0
	Item text1: / 4.763-931.0				
0		Spare part set rotor 125	1	PC	4.764-204.0
0	2.884-316.0	Spare part set dirt blaster 09	1	PC	
	Item text1: / 4.767-076.0				
0	2.884-114.0	Spare part set dirt blaster 065	1	PC	4.763-989.0
	Item text1: / 4.763-989.0				
0	2.884-113.0	Spare part set dirt blaster 045	1	PC	4.763-988.0
	Item text1: / 4.763-988.0				
0	2.885-196.0	Spare parts set rotor 100	1	PC	4.764-208.0
0	2.884-051.0	Spare part set dirt blaster 120	1	PC	4.763-930.0
	Item text1: / 4.763-930.0				
0	2.883-474.0	Spare part set dirt blaster 07/08-HDS 8	1	PC	4.763-254.0
	Item text1: / 4.763-254.0				
0	2.883-473.0	Spare part set dirt blaster 055/06	1	PC	4.763-250.0
	Item text1: / 4.763-250.0				
0	2.883-472.0	Spare part set dirt blaster 05	1	PC	4.763-253.0
	Item text1: / 4.763-253.0				
0	2.883-471.0	Spare part set dirt blaster 04-HD 1050	1	PC	4.763-252.0
	Item text1: / 4.763-252.0				
1	5.394-375.0	Protection part	1	PC	
2	5.060-500.3	Housing	1	PC	
7	5.063-618.0	Cover DGR F 055/F 06	1	PC	4.763-250/-938
	Item text1: / 4.763-250.0				
7	5.063-626.0	Cover DGR F 04	1	PC	4.763-252/-936
	Item text1: / 4.763-252.0				
7	5.063-647.0	Cover DGR F 05	1	PC	
	Item text1: / 4.763-253.0				
7	5.063-648.0	Cover DGR F 70/F 08	1	PC	
	Item text1: / 4.763-254.0 / 4.767-076.0				
7	5.063-708.0	Cover	1	PC	
	Item text1: / 4.763-930.0				

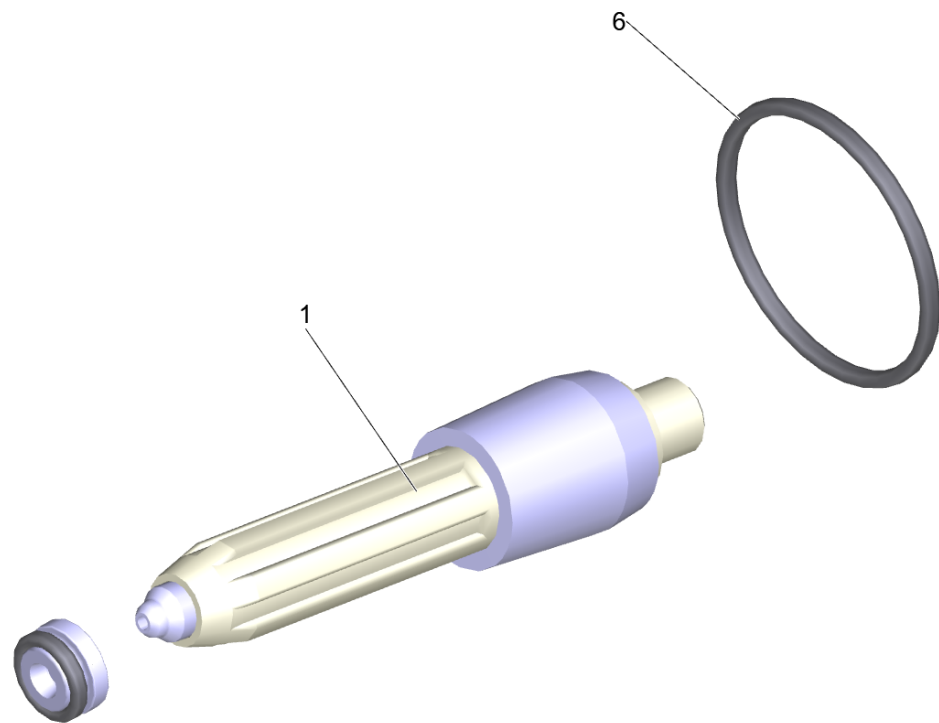
10 Dirt blaster

POS	Article no.	Description	Quantity	Unit	Remark
7	5.063-709.0	Cover	1	PC	
	Item text1: / 4.763-931.0				
7	5.064-357.0	Cover high-pressure 25/15-4	1	PC	4.764-201.0 / 4.764-208.0
7		Cover high-pressure 20/15	1	PC	4.764-204.0
9	6.362-463.0	O-Ring seal 28,0 X 2,0-NBR 78	1	PC	



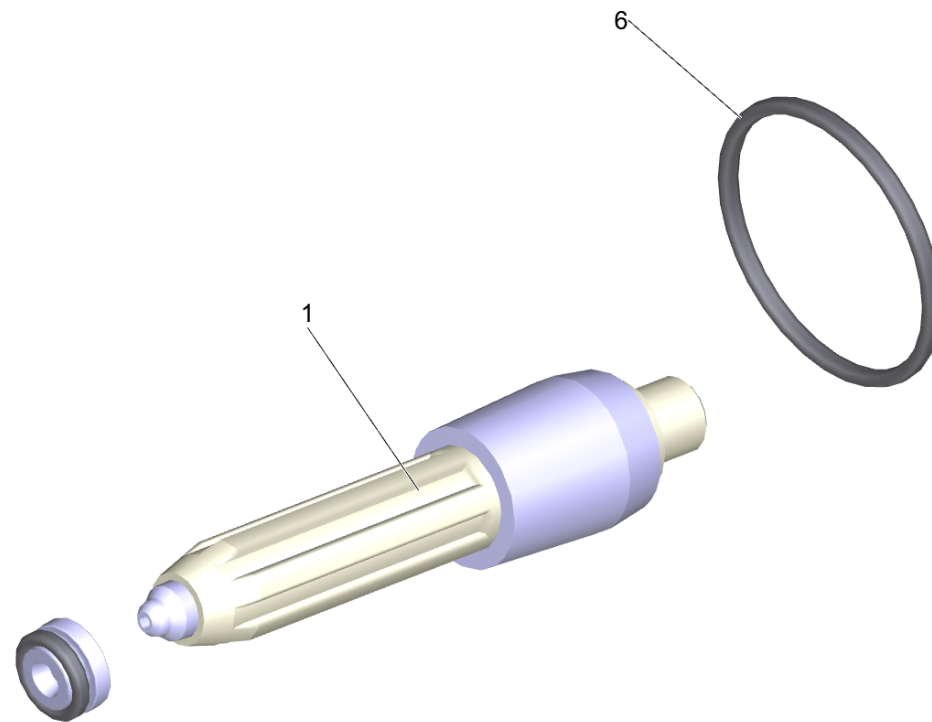
Spare part set rotor 170 (2.881-025.0)

POS	Article no.	Description	Quantity	Unit
6	6.362-463.0	O-Ring seal 28,0 X 2,0-NBR 78	1	PC



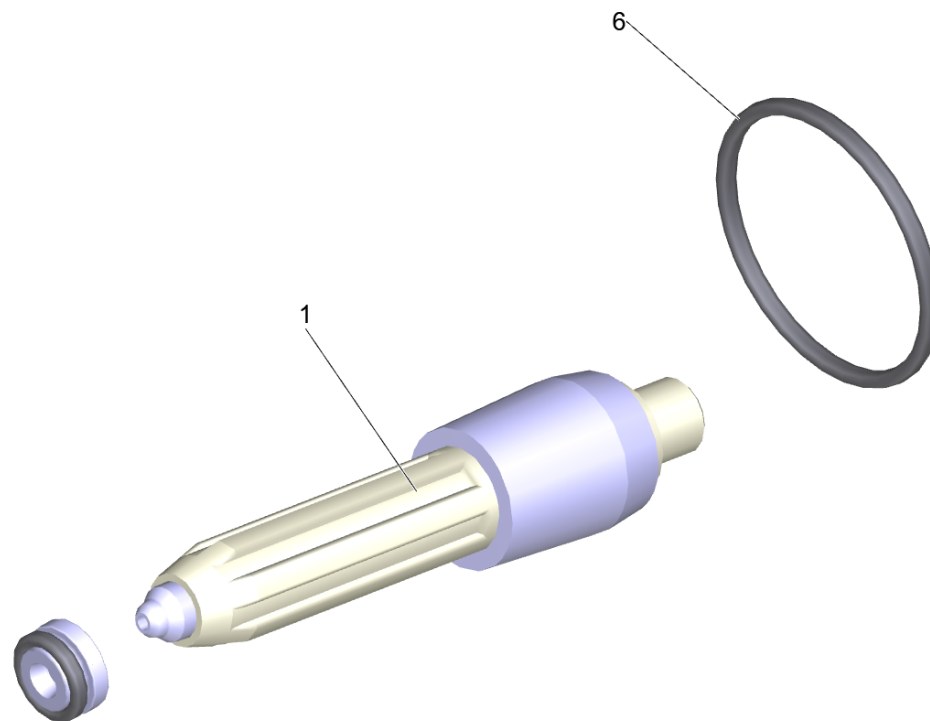
Spare part set dirt blaster 04-HD 1050 (2.883-471.0)

POS	Article no.	Description	Quantity	Unit
1	4.762-122.0	Rotor complete 04	1	PC
6	6.362-463.0	O-Ring seal 28,0 X 2,0-NBR 78	1	PC



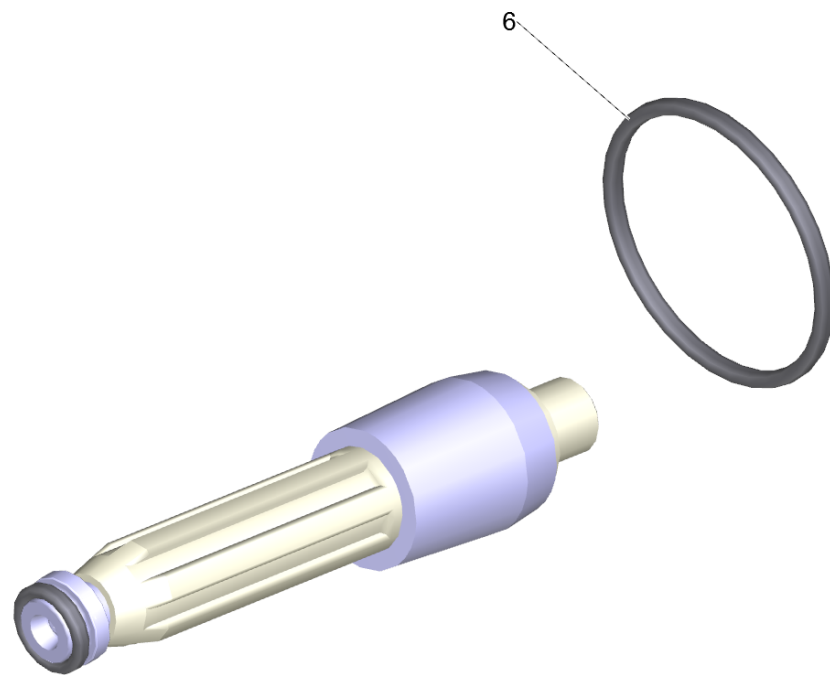
Spare part set dirt blaster 05 (2.883-472.0)

POS	Article no.	Description	Quantity	Unit
1	4.762-123.0	Rotor complete 05	1	PC
6	6.362-463.0	O-Ring seal 28,0 X 2,0-NBR 78	1	PC



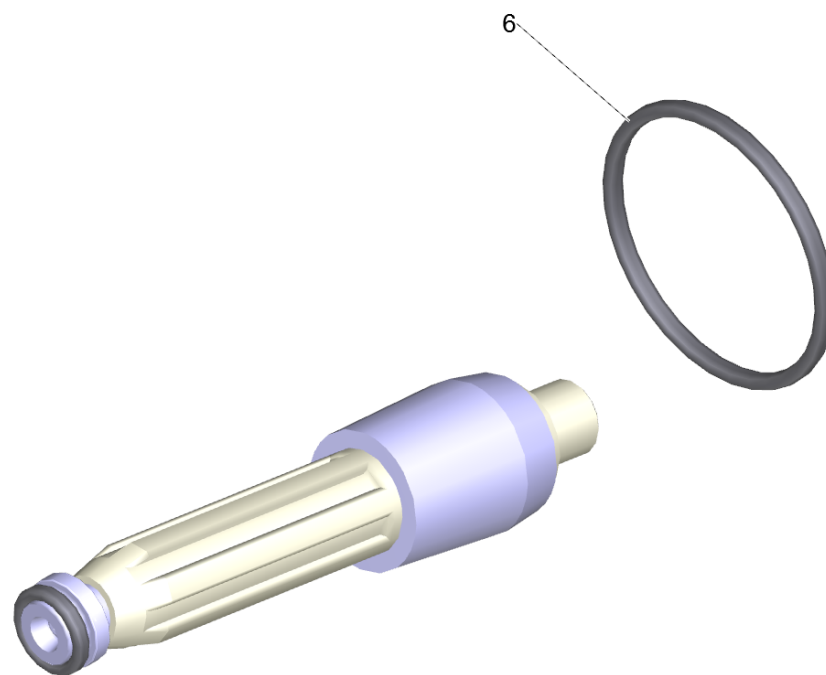
Spare part set dirt blaster 055/06 (2.883-473.0)

POS	Article no.	Description	Quantity	Unit
1	4.762-124.0	Rotor complete 055/06	1	PC
6	6.362-463.0	O-Ring seal 28,0 X 2,0-NBR 78	1	PC



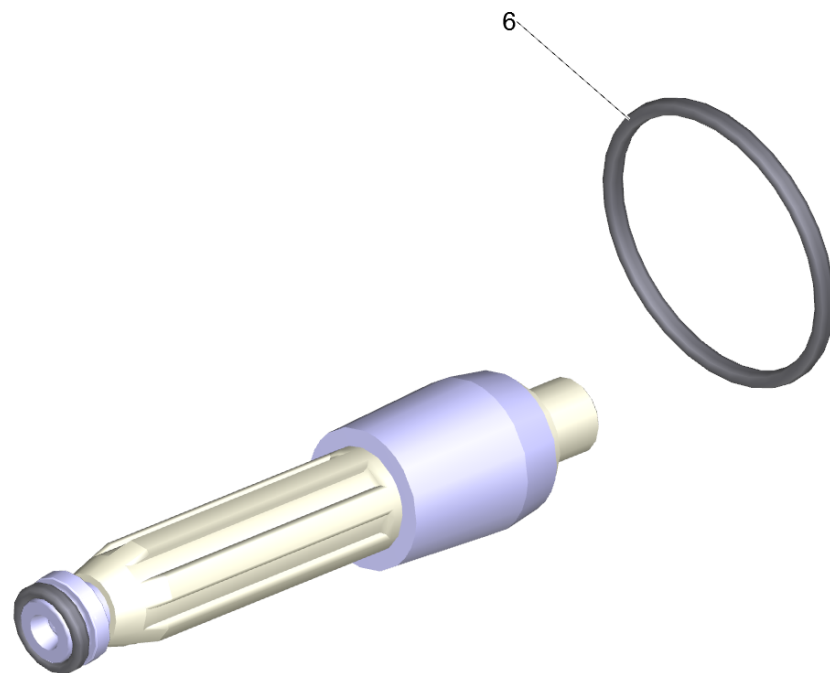
Spare part set dirt blaster 07/08-HDS 8 (2.883-474.0)

POS	Article no.	Description	Quantity	Unit
6	6.362-463.0	O-Ring seal 28,0 X 2,0-NBR 78	1	PC



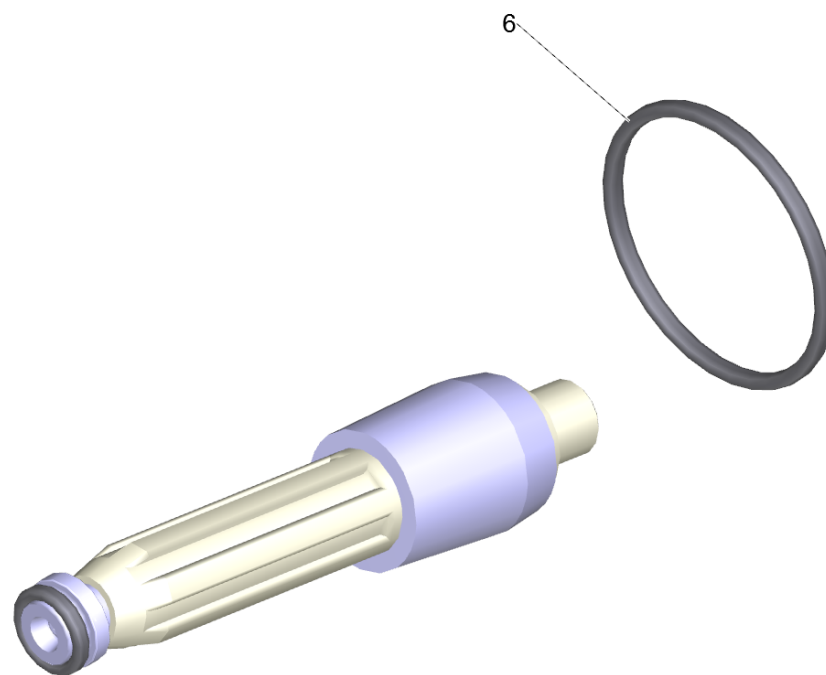
Spare part set dirt blaster 120 (2.884-051.0)

POS	Article no.	Description	Quantity	Unit
6	6.362-463.0	O-Ring seal 28,0 X 2,0-NBR 78	1	PC



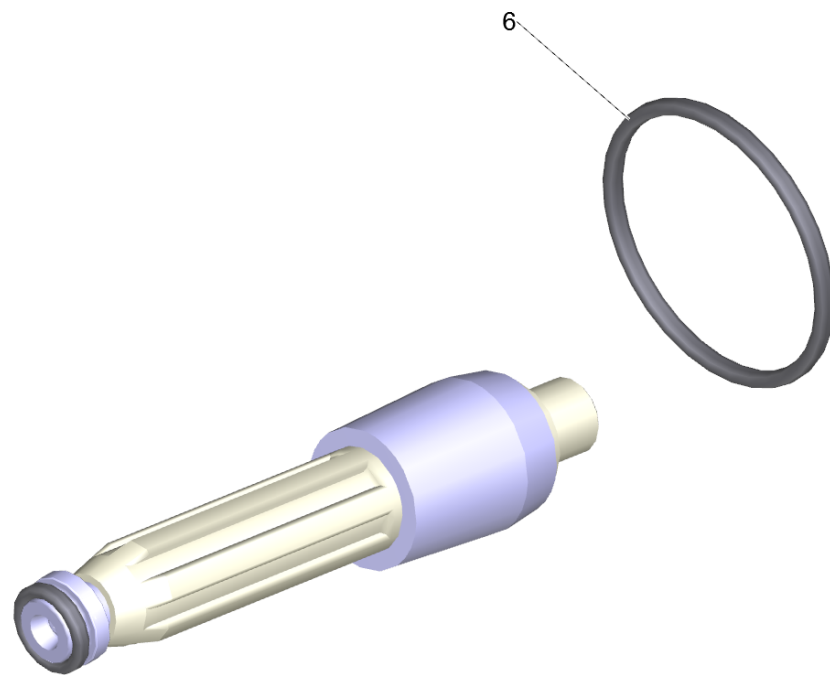
Spare part set dirt blaster 035 (2.884-052.0)

POS	Article no.	Description	Quantity	Unit
6	6.362-463.0	O-Ring seal 28,0 X 2,0-NBR 78	1	PC



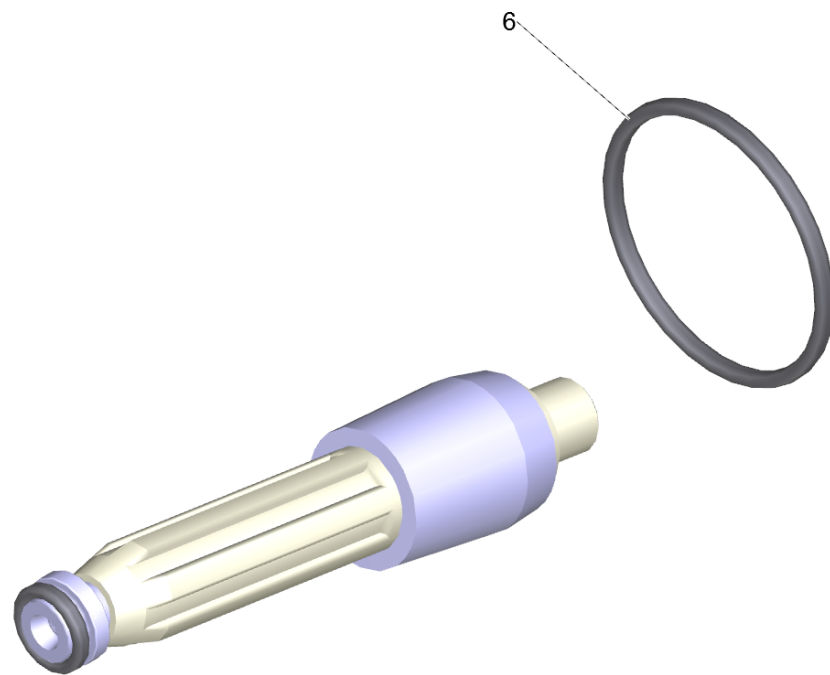
Spare part set dirt blaster 045 (2.884-113.0)

POS	Article no.	Description	Quantity	Unit
6	6.362-463.0	O-Ring seal 28,0 X 2,0-NBR 78	1	PC



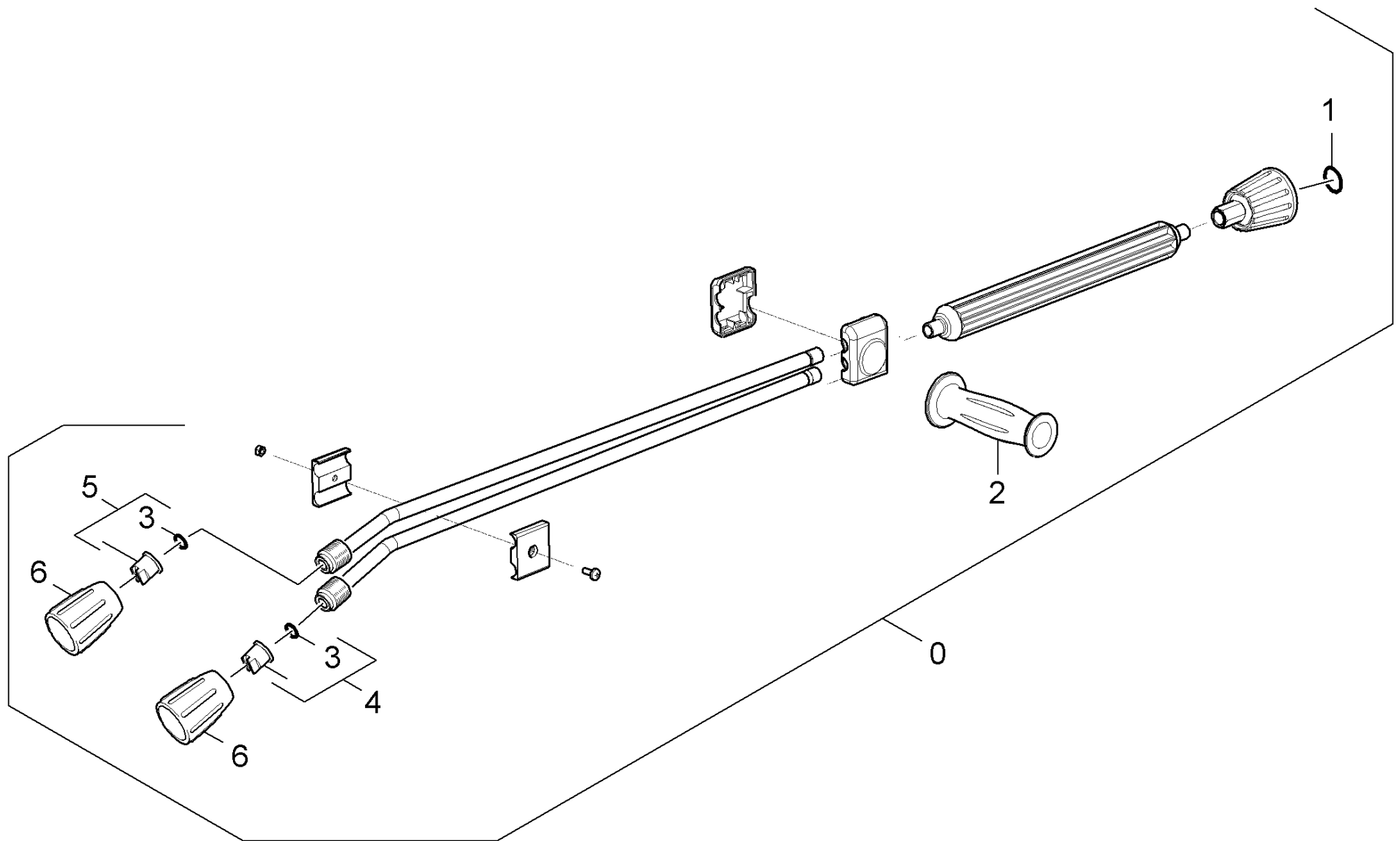
Spare part set dirt blaster 09 (2.884-316.0)

POS	Article no.	Description	Quantity	Unit
6	6.362-463.0	O-Ring seal 28,0 X 2,0-NBR 78	1	PC



Spare parts set rotor 100 (2.885-196.0)

POS	Article no.	Description	Quantity	Unit
6	6.362-463.0	O-Ring seal 28,0 X 2,0-NBR 78	1	PC



44 Double jet pipe

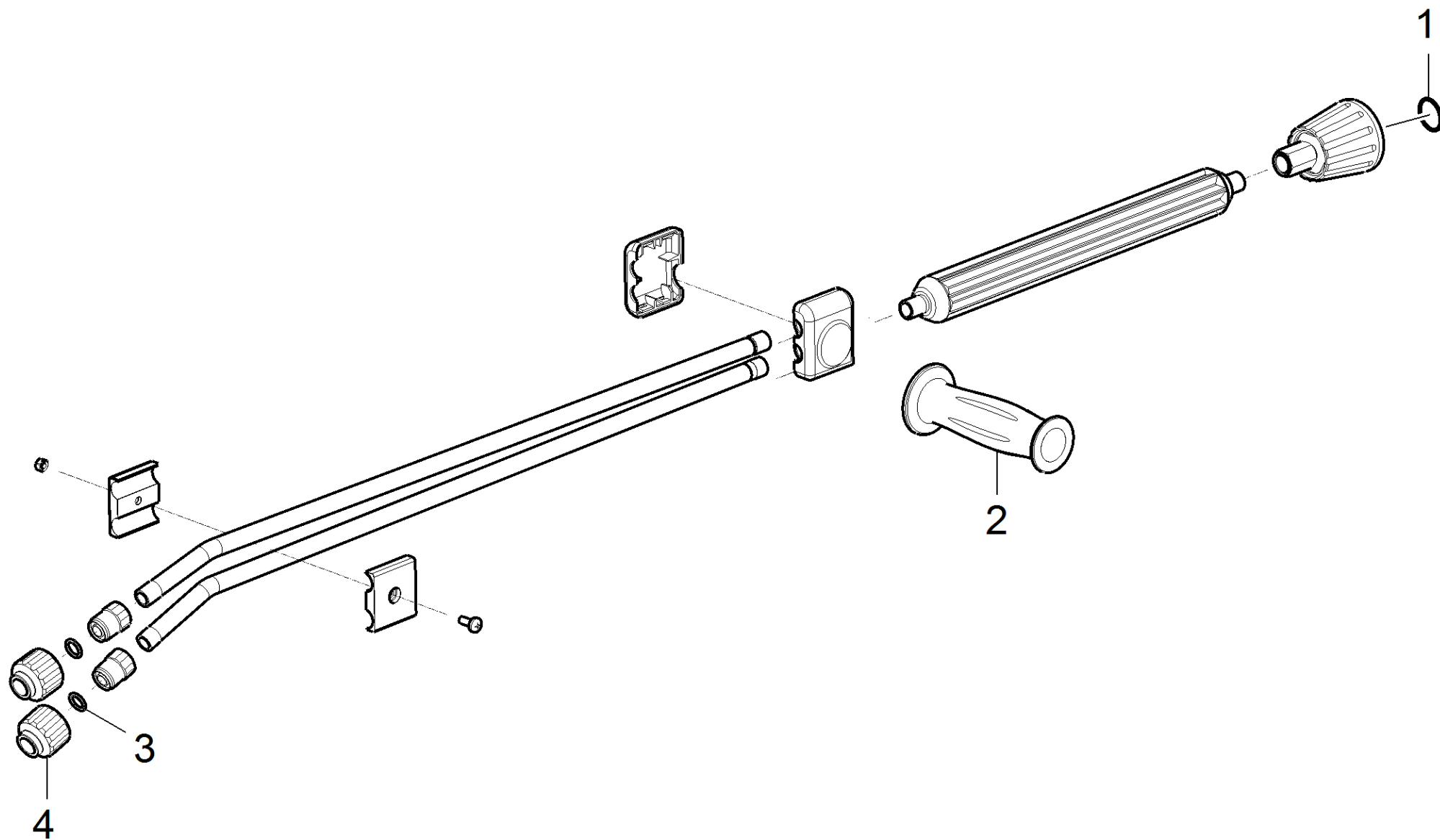
POS	Article no.	Description	Quantity	Unit
0	6.394-665.0	Double jet pipe	1	PC
1	4.363-692.0	Grooved ring kpl. -nur fuer Ersatz-	1	PC
2	6.394-613.0	Hand grip ST-54	1	PC
3	2.880-990.0	Spare part set O-Ring 5x -Kaercher	1	PC
4	2.883-400.0	Power nozzle 25052	1	PC
5	2.884-521.0	Power nozzle 25250	1	PC
6	5.401-210.0	Screw connector part	1	PC

Double jet pipe (6.394-665.0)

POS	Article no.	Description	Quantity	Unit
999	5.970-982.0	Spare parts list double jet pipe	1	PC

999 Spare parts list double jet pipe (5.970-982.0)

POS	Description	Quantity	Unit
10	Jet pipe	1	PC

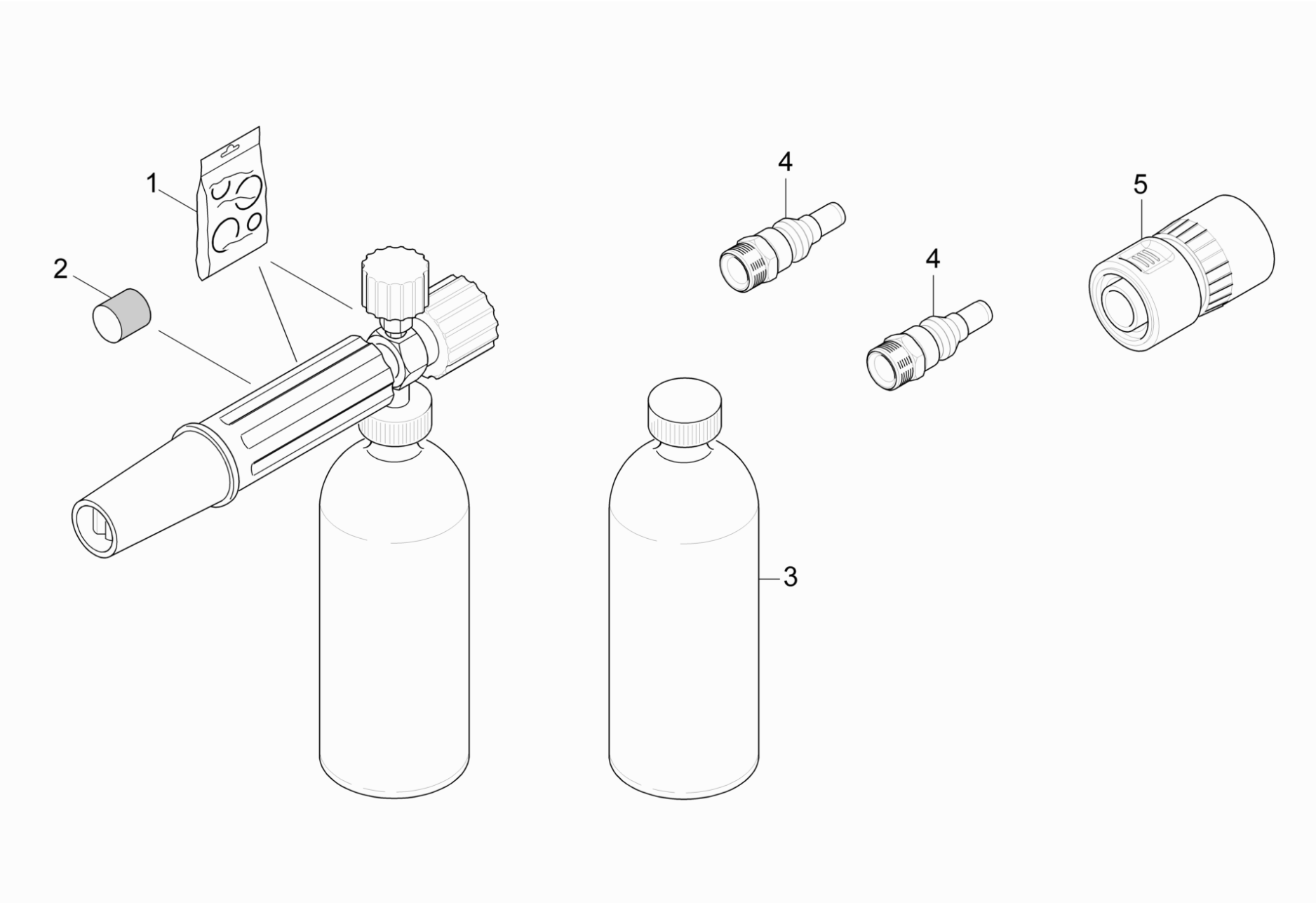


10 Jet pipe

POS	Article no.	Description	Quantity	Unit
1	4.363-692.0	Grooved ring kpl. -nur fuer Ersatz-	1	PC
2	6.394-613.0	Hand grip ST-54	1	PC
3	2.883-254.0	O-Ring kit neutrally	5	PC
4	5.401-129.0	Screw connector part	1	PC

5 Power nozzle 25250 (2.884-521.0)

POS	Article no.	Description	Quantity	Unit
2	7.362-501.0	O-Ring seal 10x2 EPDM 70 DIN 3770	1	PC



45 Foam lance and quick-fitting pipe union

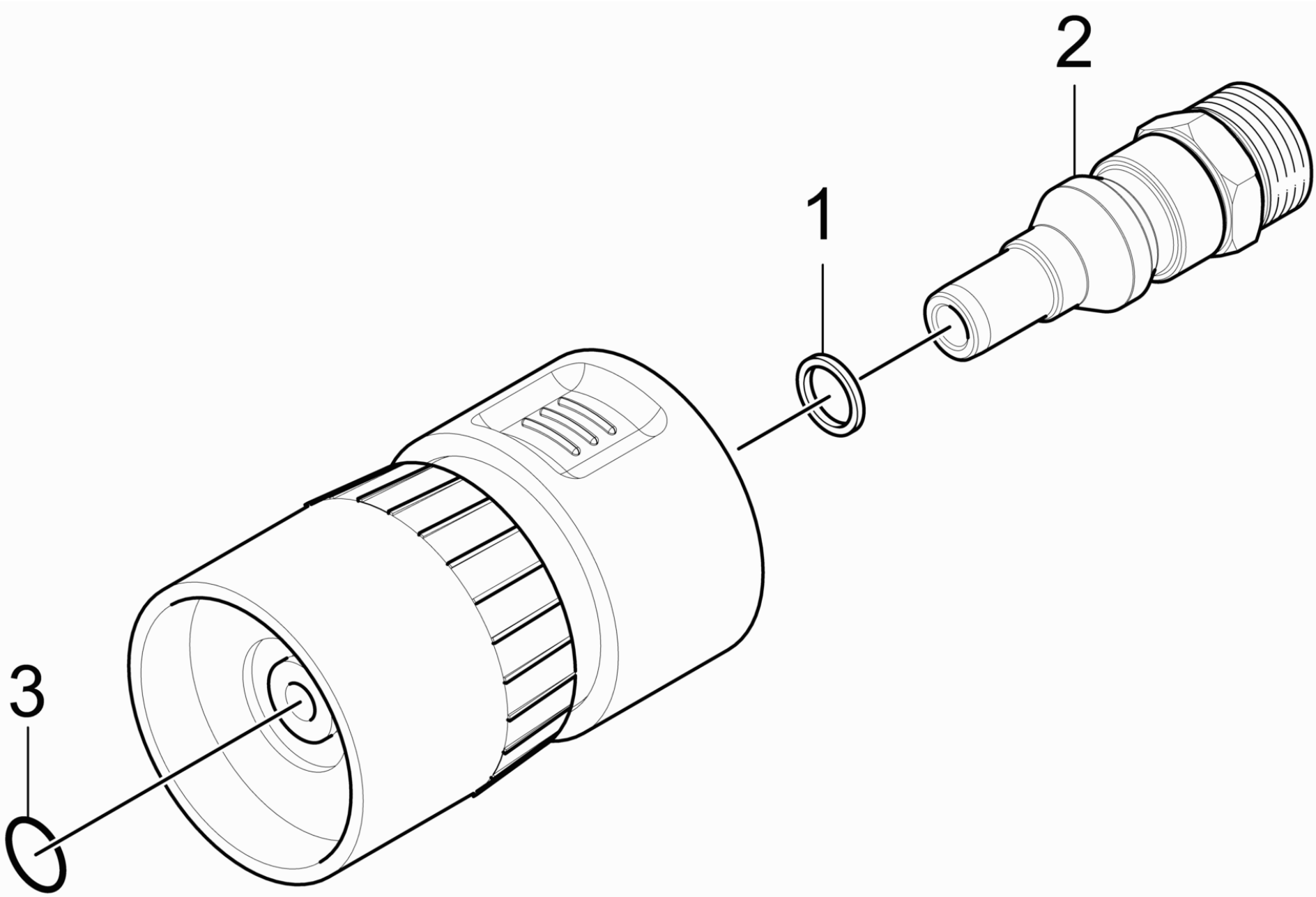
POS	Article no.	Description	Quantity	Unit
1	2.642-034.0	Spare part set foam lance	1	PC
2	6.414-913.0	Filter foam lance only for replacement	1	PC
3	6.414-954.0	Tank 1L gelb	1	PC
4	6.401-459.0	Plug nipple	2	PC
5	6.401-458.0	Quick-fitting pipe union complete	1	PC

5 Quick-fitting pipe union complete (6.401-458.0)

POS	Article no.	Description	Quantity	Unit
999	5.963-663.0	Spare parts list quick-fitting pipe unio	1	PC

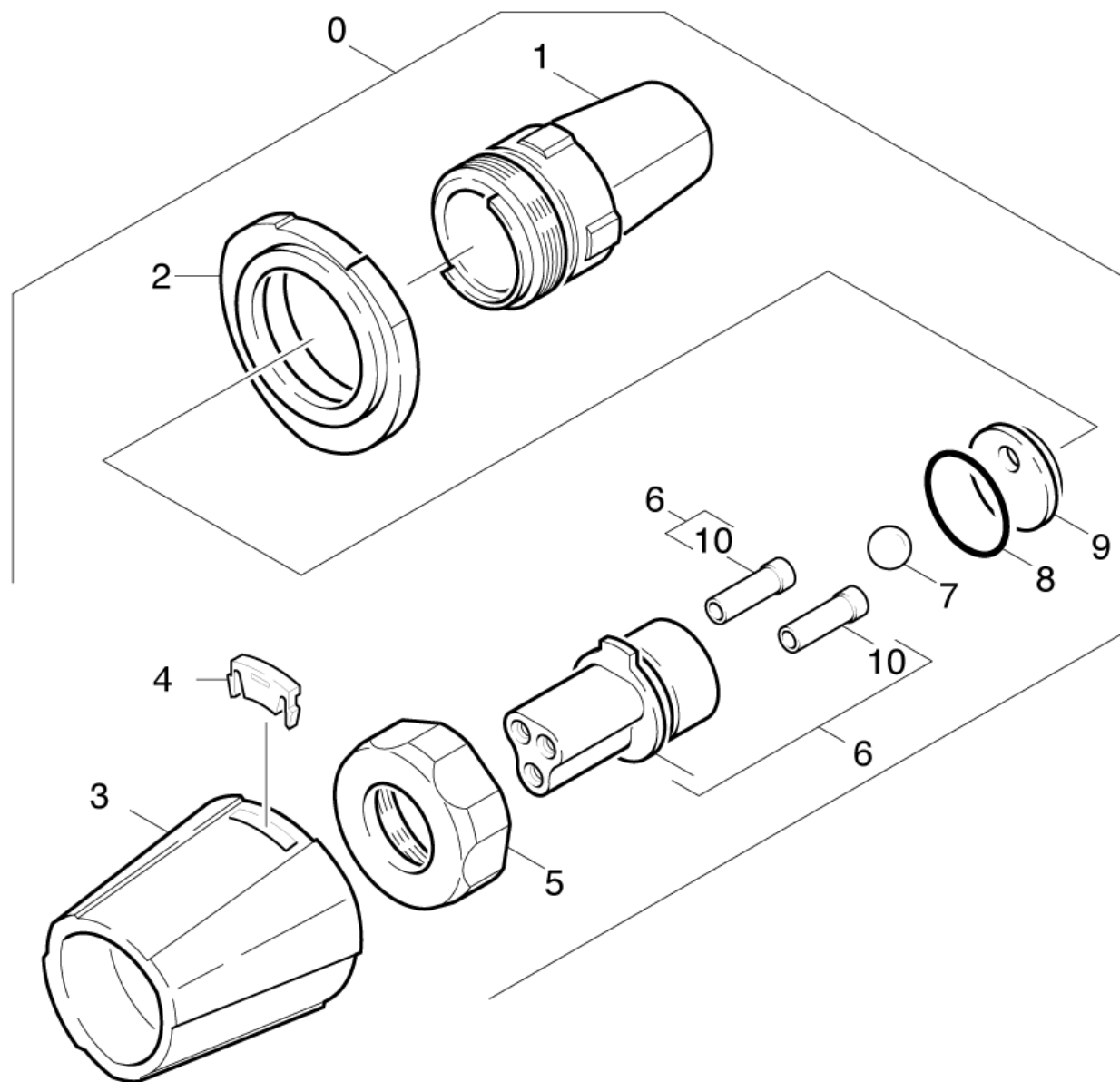
999 Spare parts list quick-fitting pipe unio (5.963-663.0)

POS	Description	Quantity	Unit
10	Quick-fitting pipe union	1	PC



10 Quick-fitting pipe union

POS	Article no.	Description	Quantity	Unit
1	6.363-554.0	Seal 11,7x2,62 EPDM 90 Shore	1	PC
2	6.401-459.0	Plug nipple	1	PC
3	7.362-501.0	O-Ring seal 10x2 EPDM 70 DIN 3770	1	PC



46 Nozzle

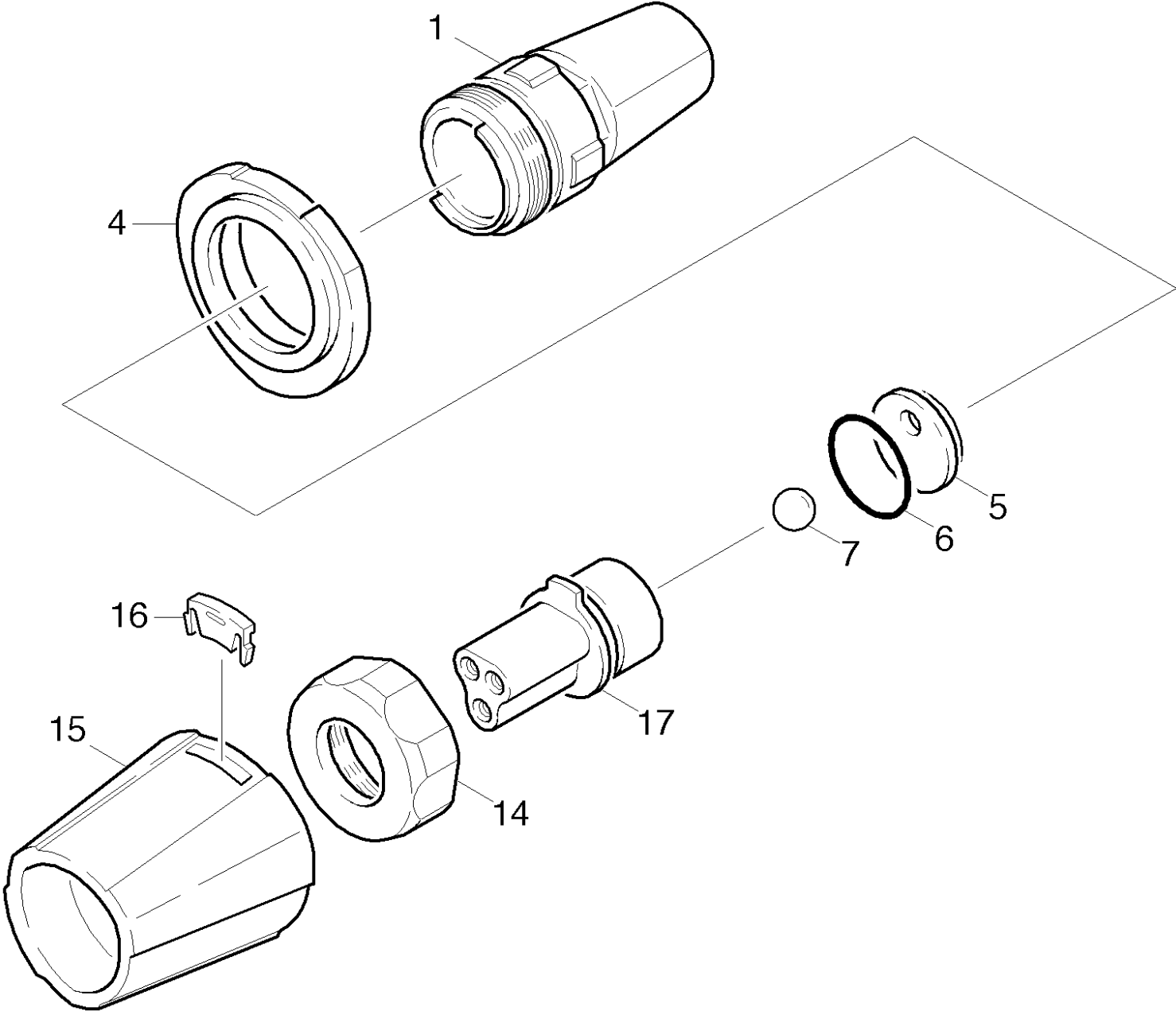
POS	Article no.	Description	Quantity	Unit
0	4.767-065.0	Triple jet nozzle with packing 05	1	PC
	Item text1: / 1.286-114.0			
1	4.060-395.0	Housing complete only for replacement	1	PC
2	5.394-401.0	Protection part	1	PC
3	5.394-402.0	Protection part	1	PC
4	5.031-709.0	Moulded part	1	PC
5	5.311-192.0	Union nut	1	PC
6	4.764-158.0	Nozzle holder 05	1	PC
	Item text1: / 1.286-114.0			
7	7.401-917.0	Sphere 10,0 G100-1.4301 DIN 5401	1	PC
8	6.363-612.0	O-Ring seal 22 x 2 -NBR90	1	PC
9	5.031-370.0	Moulded part	1	PC
10	5.031-597.0	Rectifier	2	PC

Triple jet nozzle with packing 05 (4.767-065.0)

POS	Article no.	Description	Quantity	Unit
2	5.970-000.0	Spare parts list triple jet nozzle	1	PC
Item text2: 47670650				

2 Spare parts list triple jet nozzle (5.970-000.0)

POS	Description	Quantity	Unit
10	Triple jet nozzle	1	PC

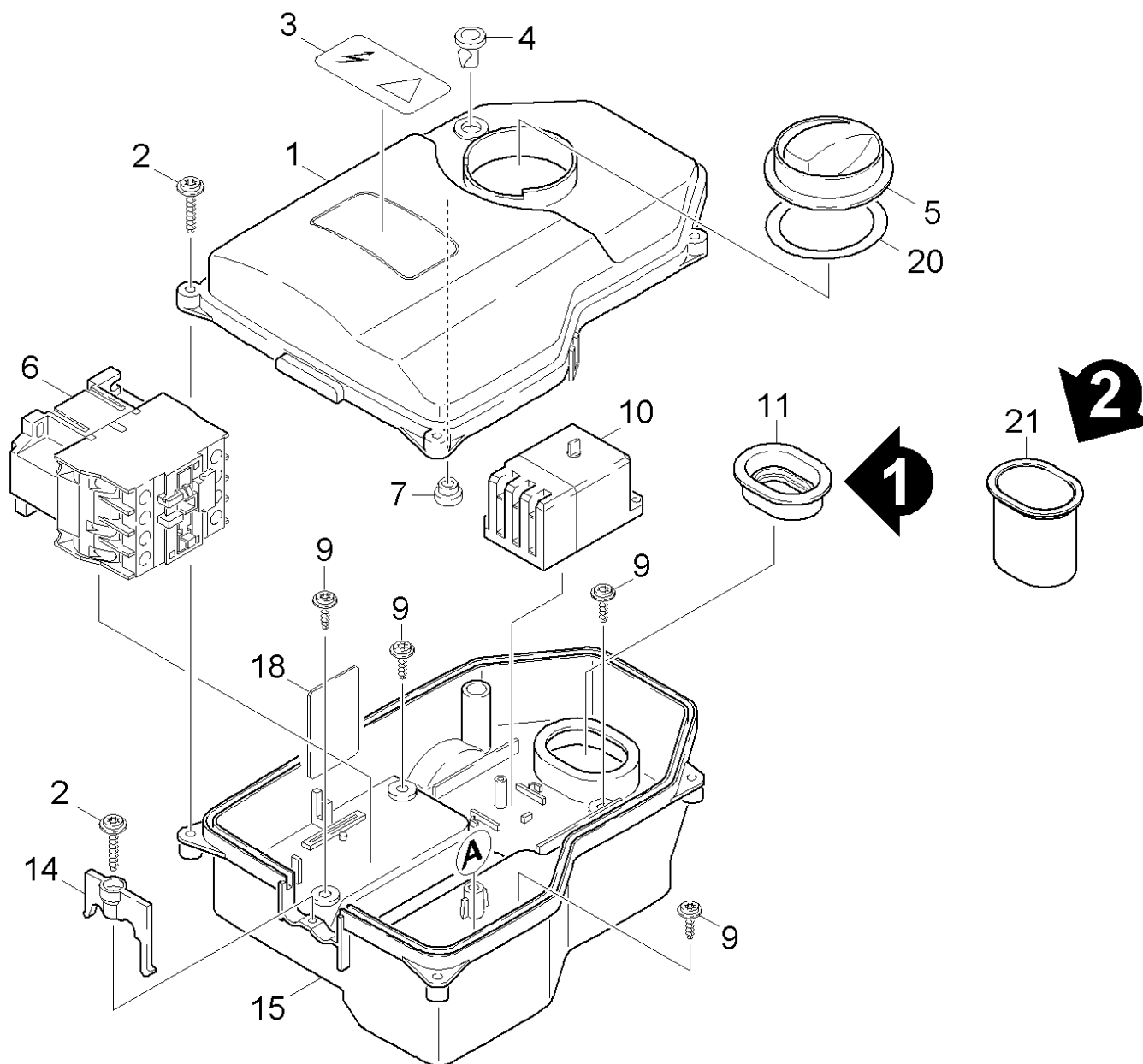


10 Triple jet nozzle

POS	Article no.	Description	Quantity	Unit	Remark
1	4.060-395.0	Housing complete only for replacement	1	PC	
4	5.394-401.0	Protection part	1	PC	
5	5.031-370.0	Moulded part	1	PC	
6	6.363-612.0	O-Ring seal 22 x 2 -NBR90	1	PC	
7	7.401-917.0	Sphere 10,0 G100-1.4301 DIN 5401	1	PC	
14	5.311-192.0	Union nut	1	PC	
15	5.394-402.0	Protection part	1	PC	
16	5.031-709.0	Moulded part	1	PC	
17	4.764-157.0	Nozzle holder 047	1	PC	4.767-064.0
17	4.764-158.0	Nozzle holder 05	1	PC	4.767-065.0
17	4.764-159.0	Nozzle holder 055	1	PC	4.767-066.0
17	4.764-161.0	Nozzle holder 08	1	PC	4.767-068.0
17	4.764-169.0	Nozzle holder 09	1	PC	4.767-075.0
17	4.764-173.0	Nozzle holder 0100	1	PC	4.767-106.0
17	7.777-999.0	Stockpiling discontinued	1	PC	4.767-067.0/-069.0

17 Nozzle holder 055 (4.764-159.0)

POS	Article no.	Description	Quantity	Unit
1	5.031-597.0	Rectifier	2	PC
	Item text2: 47641590			
7	6.362-661.0	O-Ring seal 5,0 X 1,0-NBR 80	3	PC
	Item text2: 47641590			
8	6.363-612.0	O-Ring seal 22 x 2 -NBR90	1	PC
	Item text2: 47641590			



50 Electric box

POS	Article no.	Description	Quantity	Unit	Remark
1	5.064-234.0	Cover electric control box	1	PC	
2	7.303-109.0	Screw 5x25 -10.9-R2R (In6Rd)	5	PC	
3	5.388-512.0	Label	1	PC	
4	6.651-506.0	Lens housing	1	PC	
5	5.321-692.0	Handle	1	PC	
6	2.885-131.0	Contacteur -nur fuer Ersatz-	1	PC	
	Item text1: / 1.286-320.0 /-322.0 /-323.0 /-324.0 /-325.0 /-326.0 /-327.0 /-328.0 /-329.0 /-330.0 /-331.0 /-332.0 /				
6	6.632-355.0	Contacteur	1	PC	
	Item text1: / 1.286-114.0 / -321.0				
7	6.641-446.0	Cable bushing	1	ZST	
9	6.303-153.0	Screw M5x15-ST-R2R (IN6RD)	4	PC	
10	6.631-190.0	Motor protecting switch	1	PC	
	Item text1: 1.286-320.0 /-322.0 /-323.0 /-324.0 / /-325.0 /-326.0 /-327.0 /-328.0 /-329.0 /-330.0 /-331.0 /-332.0 /				
10	6.631-428.0	Motor protecting switch -22-27A	1	PC	
	Item text1: / 1.286-114.0 / -321.0				
11	5.365-181.0	Profile gasket	1	PC	VERSION 1
14	5.263-051.0	Tensioning part	1	PC	
	Item text1: / 1.286-320.0 /-324.0 /-325.0 /-326.0 /-327.0 /-328.0 /-329.0 /-330.0 /-331.0 /-332.0 /				
14	5.263-081.0	Tensioning part	1	PC	
	Item text1: / 1.286-114.0 / -321.0 / -322.0				
15	5.062-145.0	Housing electric control box	1	PC	
18	5.048-251.0	Plate	1	PC	
20	5.363-616.0	Joint ring	1	PC	
21	5.365-302.0	Profile gasket	1	PC	VERSION 2