

Spare parts list

(1.180-610.0) K 4.650 JUBILEE T250 *EU

Table of contents

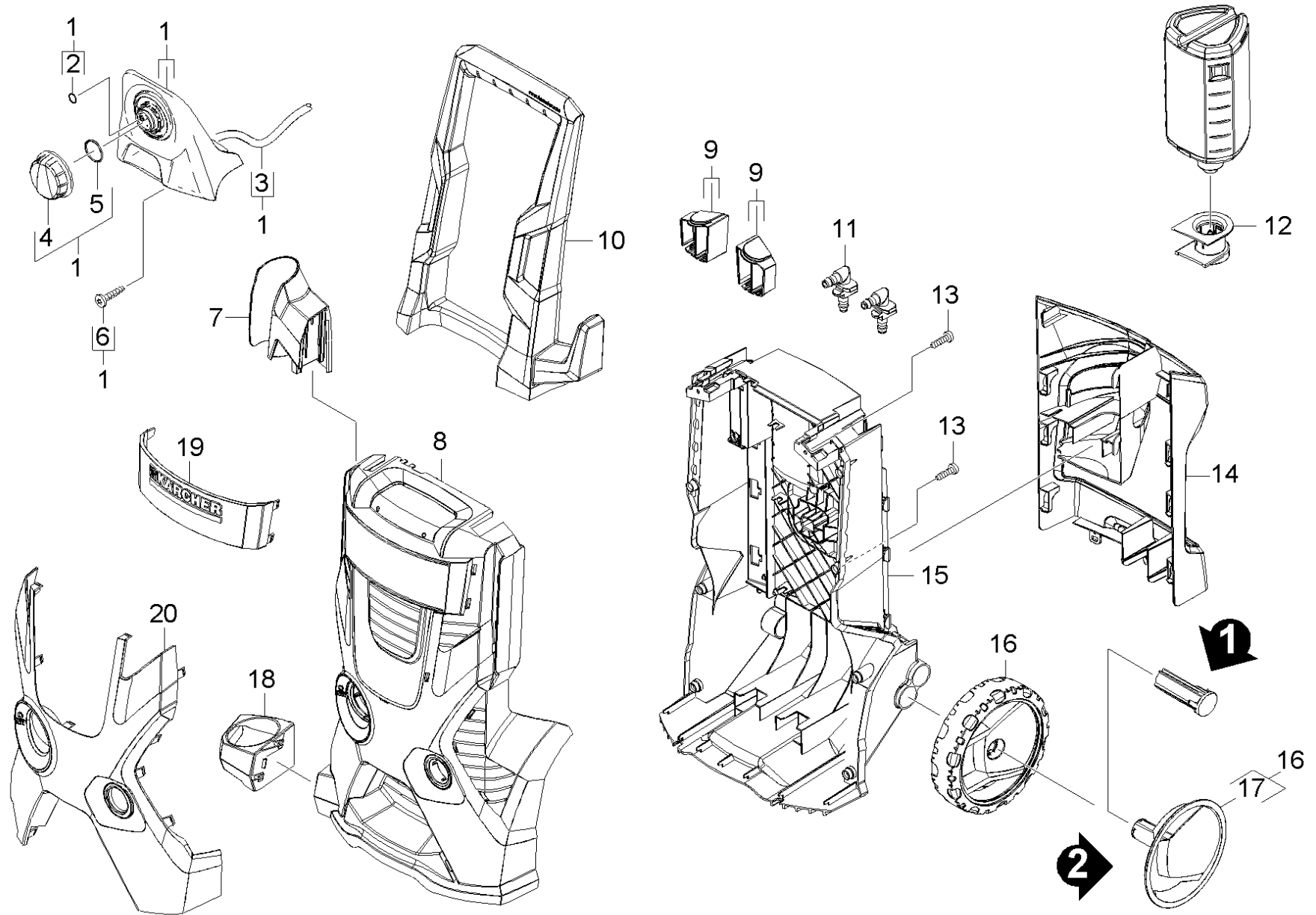
K 4.650 JUBILEE T250 *EU (1.180-610.0)	3
201 Spare parts list K4.650 T250*EU (5.971-313.0)	4
10 Housing	5
20 Pump set	7
21 Housing	9
11 head pump wcm spare part (9.001-999.0)	11
22 Housing	13
4 pressure piston HR (spare) (9.002-028.0)	15
11 head pump wcm spare part (9.001-999.0)	17
23 Thrust guidance	19
30 Motor	21
40 Accessories	23
41 Hand trigger gun	24
G 160 Q pistol Quick Connect (2.642-172.0)	26
2 H 9 Q high pressure hose Quick Connect (2.641-721.0)	28
42 Jet pipe	30
3 Dirt blaster 031 St - CEM 14,5MPa (4.764-281.0)	32
43 Surface cleaner	34
1 Single-step jet pipe extension (2.643-240.0)	36
7 Spare parts nozzles T-Racer (2.643-338.0)	38
40 Accessories	41
41 G 180 Q Trigger gun Quick Connect (2.642-889.0)	42
42 H 9 Q high pressure hose Quick Connect (2.641-721.0)	44
43 VP 145 Vario Power Jet (packaged) (2.642-725.0)	46
44 DB 145 Dirt Blaster (packaged) (2.642-728.0)	48
50 Electric box	50

K 4.650 JUBILEE T250 *EU (1.180-610.0)

POS	Article no.	Description	Quantity	Unit
201	5.971-313.0	Spare parts list K4.650 T250*EU	1.000	ST

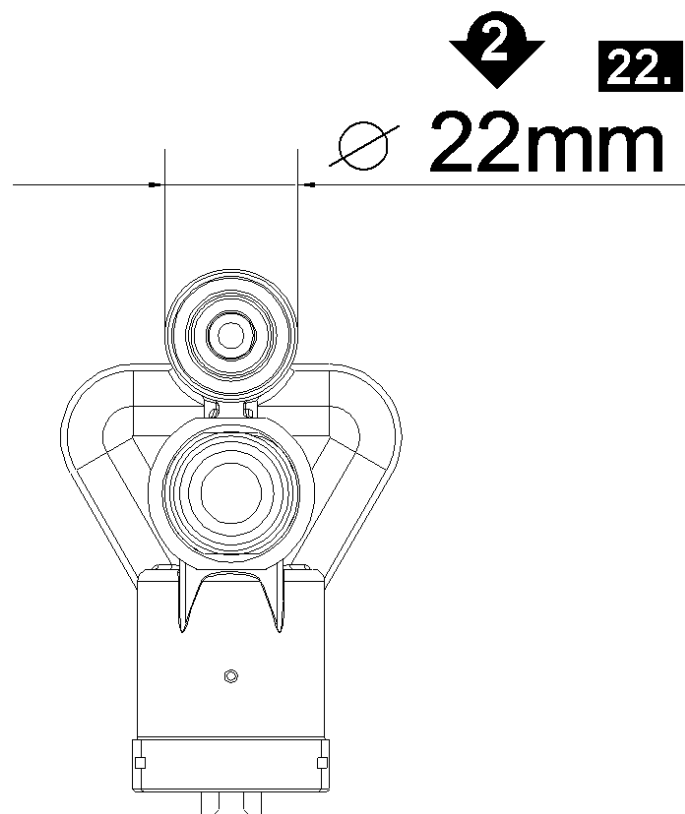
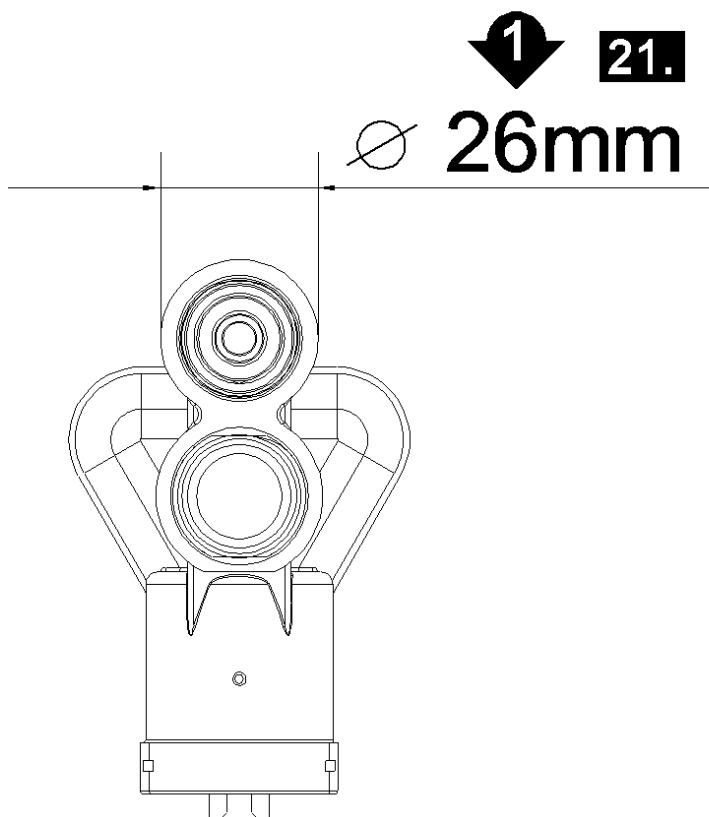
201 Spare parts list K4.650 T250*EU (5.971-313.0)

POS	Description	Quantity	Unit	Foot note text
40	Accessories	1.000	ST	VERSION 2
	Item text1: 1.180-612.0			
40	Accessories	1.000	ST	VERSION 1
50	Electric box	1.000	ST	
10	Housing	1.000	ST	
30	Motor	1.000	ST	
20	Pump set	1.000	ST	



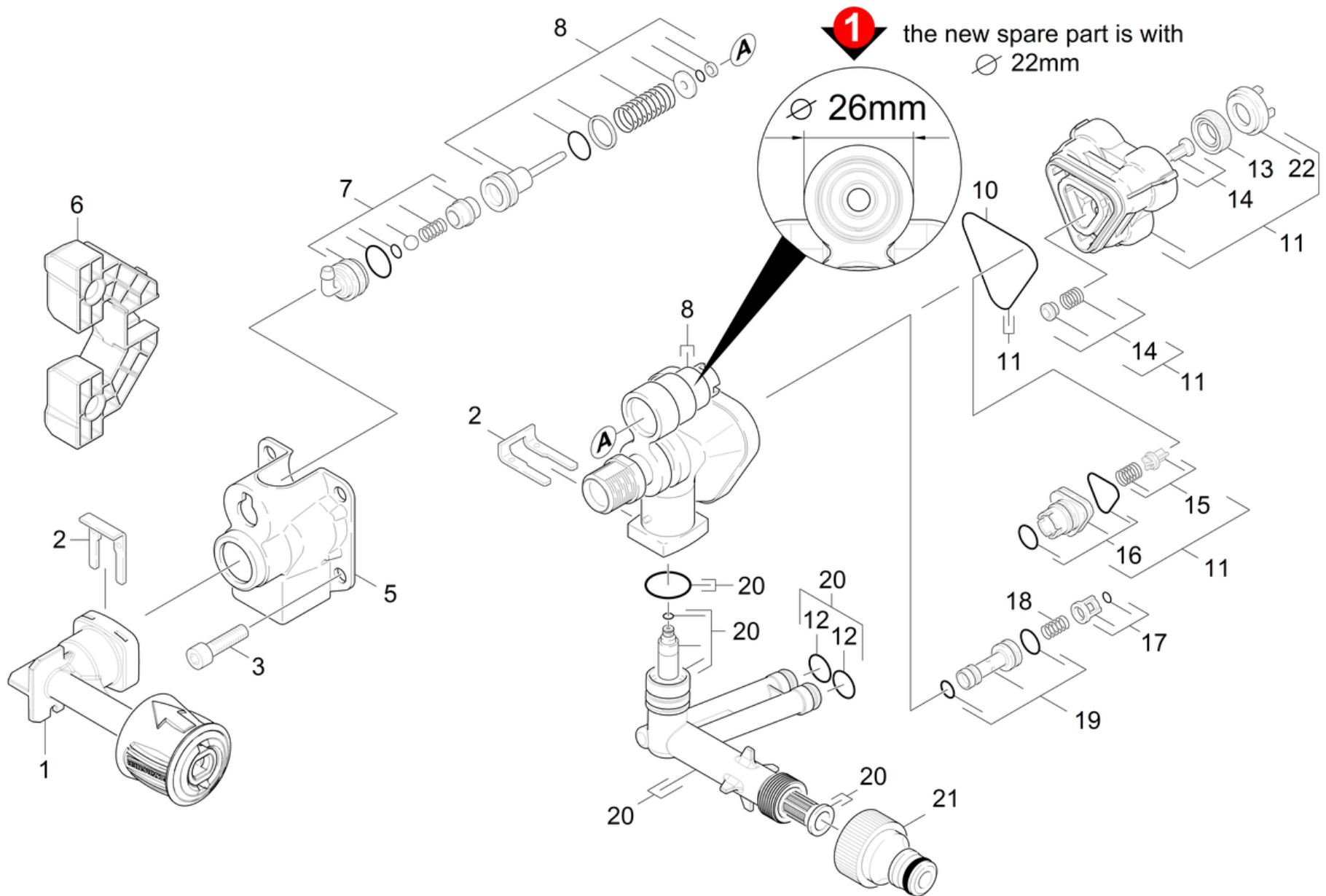
10 Housing

POS	Article no.	Description	Quantity	Unit	Foot note text
8	9.038-016.0	Cover	1.000	ST	
19	9.001-766.0	Covering cap complete silver	1.000	ST	
20	9.037-630.0	Cover yellow X -TOP	1.000	ST	
4	9.037-621.0	Handhold chemistry	1.000	ST	
10	9.037-625.0	Handhold Compact	1.000	ST	
14	9.038-023.0	Holder accessories EU-USA	1.000	ST	
7	9.037-618.0	Holder pistol above	1.000	ST	
18	9.037-619.0	Holder pistol bottom	1.000	ST	
3	6.390-426.0	Hose DN 5	1.000	M	TO ORDER AS CUT GOODS
15	9.037-871.0	Housing rear WCM Modular	1.000	ST	
11	9.037-861.0	Nipple 90° Mod.Range	2.000	ST	
2	6.363-018.0	O-Ring seal 4X2	1.000	ST	
5	6.362-522.0	O-Ring seal 24,0 X 2,0	1.000	ST	
12	9.012-681.0	RM retainer station	1.000	ST	
17	4.515-292.0	Screen for replacement 200 Hummer SF	1.000	ST	SET OF 2 PIECES
6	9.086-203.0	Screw 4x22	4.000	ST	
13	9.086-221.0	Screw ATF 4.1x22	8.000	ST	
	Item text1: 1.180-612.0				
13	9.086-173.0	Screw Hi-Lo d.4x22 Torx-d.7,5	8.000	ST	
	Item text1: 1.180-610.0/-613.0				
9	9.001-743.0	Set covering cap	1.000	ST	
1	2.885-283.0	Spare parts set hook hose	1.000	ST	
16	4.515-325.0	Wheel set replacement 200 HUMMER	1.000	ST	SET OF 2 PIECES



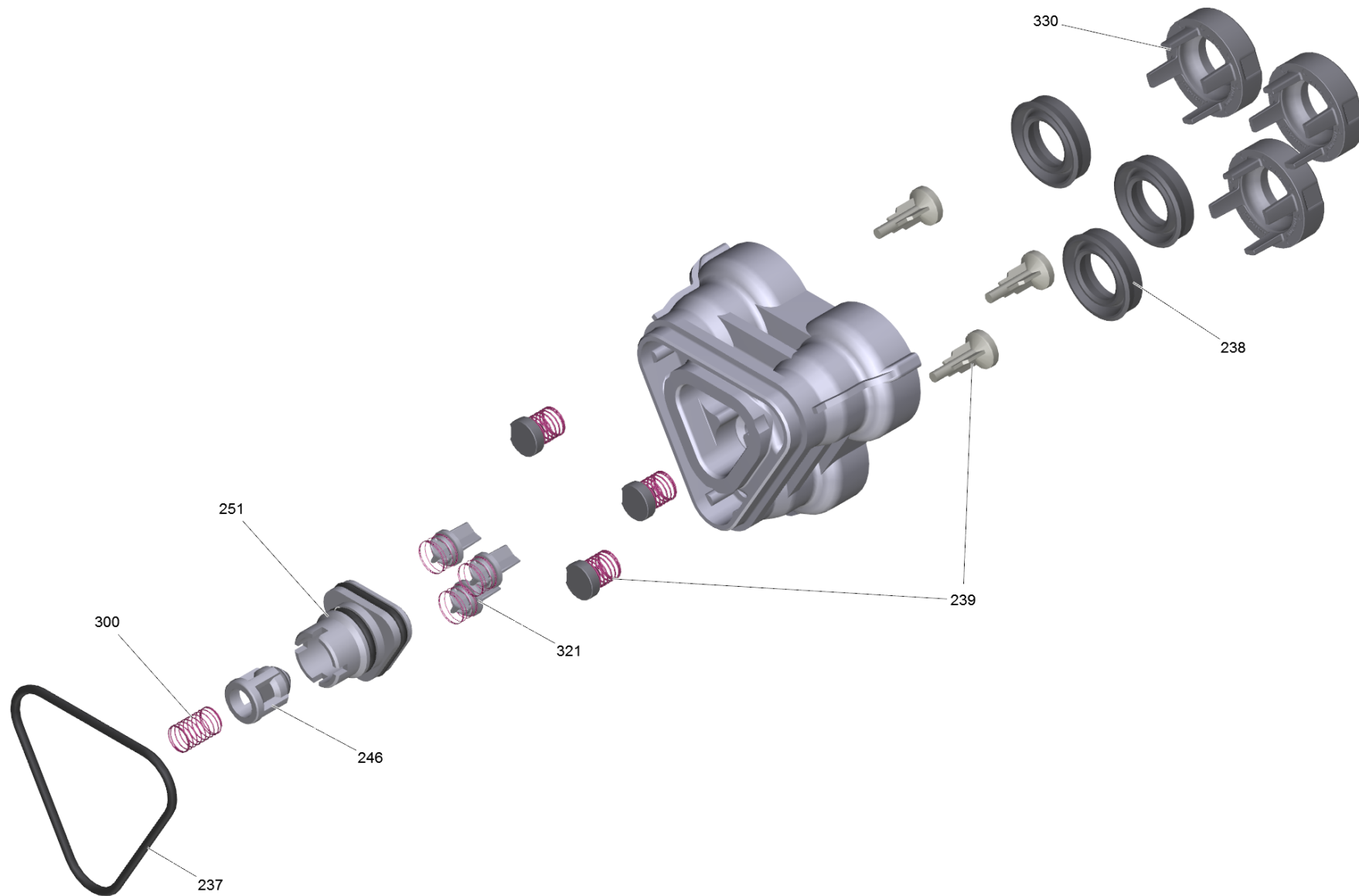
20 Pump set

POS	Description	Quantity	Unit	Foot note text
21	Housing	1.000	ST	VERSION 1
22	Housing	1.000	ST	VERSION 2
23	Thrust guidance	1.000	ST	



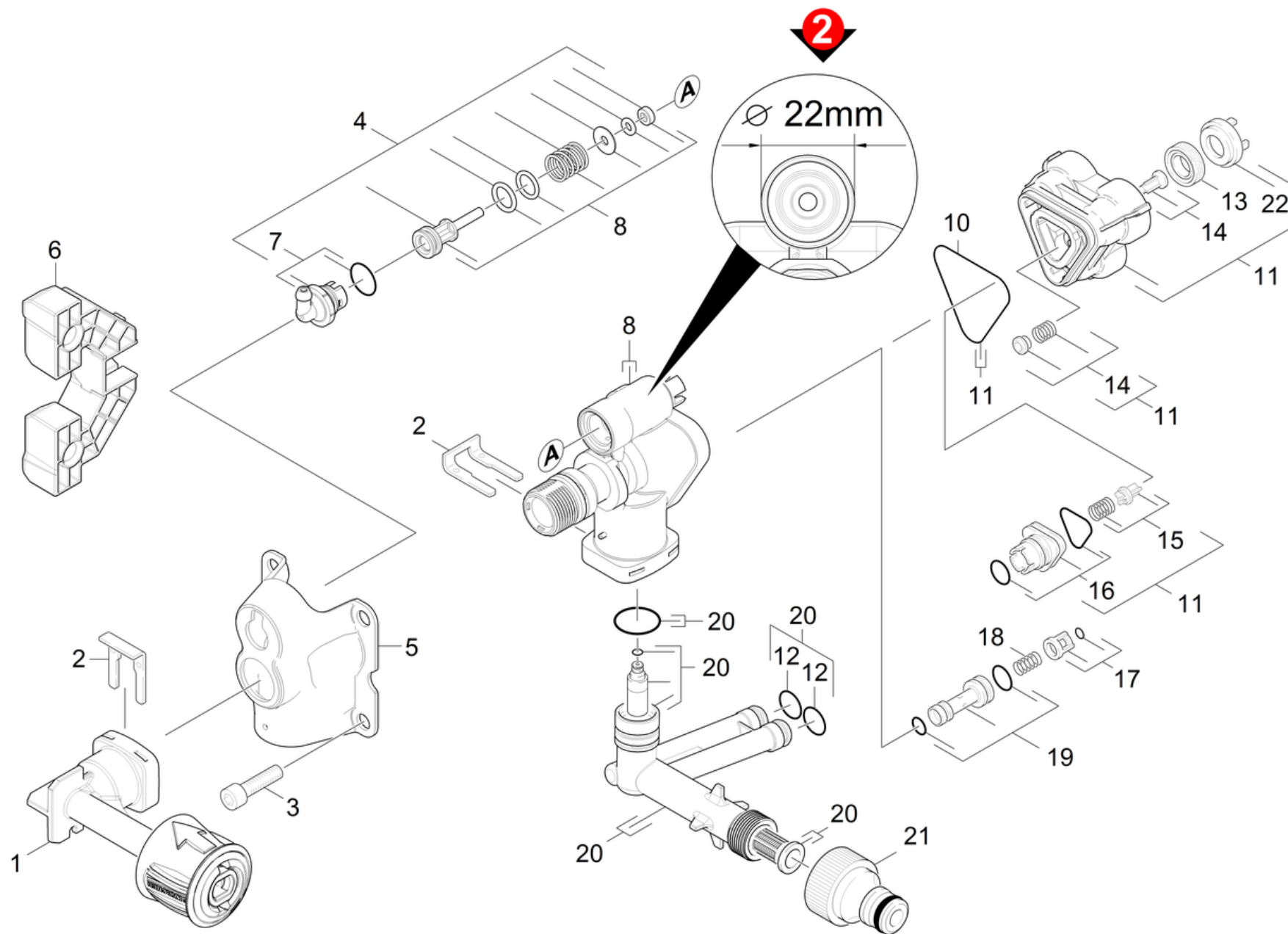
21 Housing

POS	Article no.	Description	Quantity	Unit	Foot note text
6	9.037-673.0	Bracket pump (bridge)	1.000	ST	
17	9.001-107.0	Cage complete	1.000	ST	
21	6.465-031.0	Connection 3/4	1.000	ST	
8	9.002-011.0	Conversion kit housing new D=22mm	1.000	ST	
5	9.039-308.0	Cover K130	1.000	ST	
10	9.081-422.0	Form seal	1.000	ST	
7	9.001-741.0	FRONT HOUSING MODULAR COMPACT	1.000	ST	
13	6.362-875.0	Grooved ring	3.000	ST	
11	9.001-999.0	head pump wcm spare part	1.000	ST	
	Item text1: 1.180-612.0/-609.0				
1	9.001-749.0	High-pressure outlet complete	1.000	ST	
16	9.001-106.0	Joining piece	1.000	ST	
2	9.039-148.0	Metal fork	2.000	ST	
14	9.001-110.0	Moulded part complete	1.000	ST	SET CONSISTS OF 3X MACHINED PART COMPL.
3	9.086-200.0	Screw M 8x55 Class 8.8	4.000	ST	
12	9.080-455.0	Seal 10x2,8	2.000	ST	
11	9.001-693.0	Spare parts set cylinder head WCP	1.000	ST	
	Item text1: all other machines				
20	9.001-748.0	Spare parts set suction side	1.000	ST	
15	9.001-149.0	Spare parts set valve	1.000	ST	SET CONSITSTS OF 3X VALVE
18	9.047-026.0	Spring	1.000	ST	
22	9.037-059.0	Support ring	3.000	ST	
	Item text1: all other machines				
22	9.038-428.0	Supportring 6,7 mm	3.000	ST	
	Item text1: 1.180-612.0/-609.0				
19	9.002-017.0	Venturi nozzle D.1,45	1.000	ST	



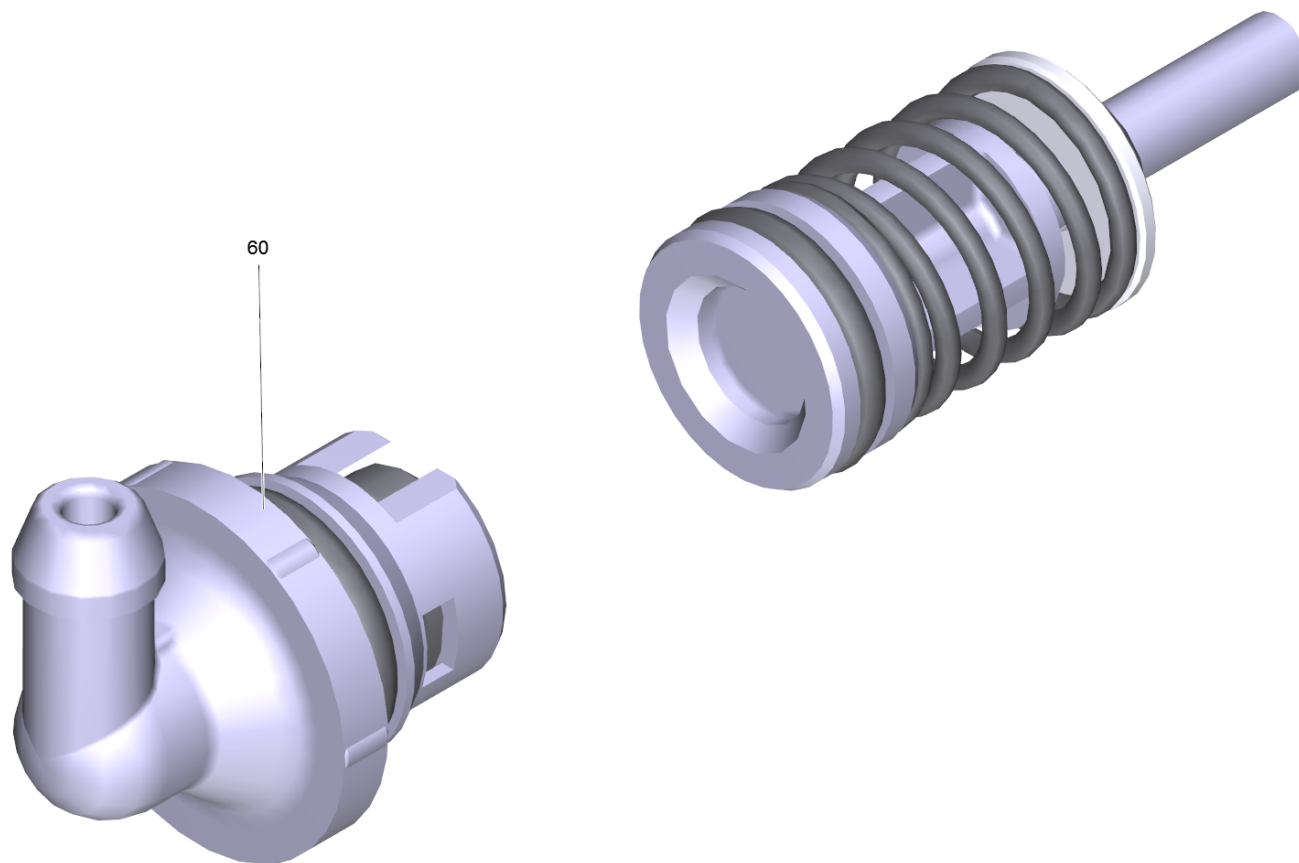
11 head pump wcm spare part (9.001-999.0)

POS	Article no.	Description	Quantity	Unit
246	9.001-107.0	Cage complete	1.000	ST
237	9.081-422.0	Form seal	1.000	ST
238	6.362-875.0	Grooved ring	3.000	ST
251	9.001-106.0	Joining piece	1.000	ST
239	9.001-110.0	Moulded part complete	1.000	ST
321	9.001-149.0	Spare parts set valve	1.000	ST
300	9.047-026.0	Spring	1.000	ST
330	9.038-428.0	Supportring 6,7 mm	3.000	ST



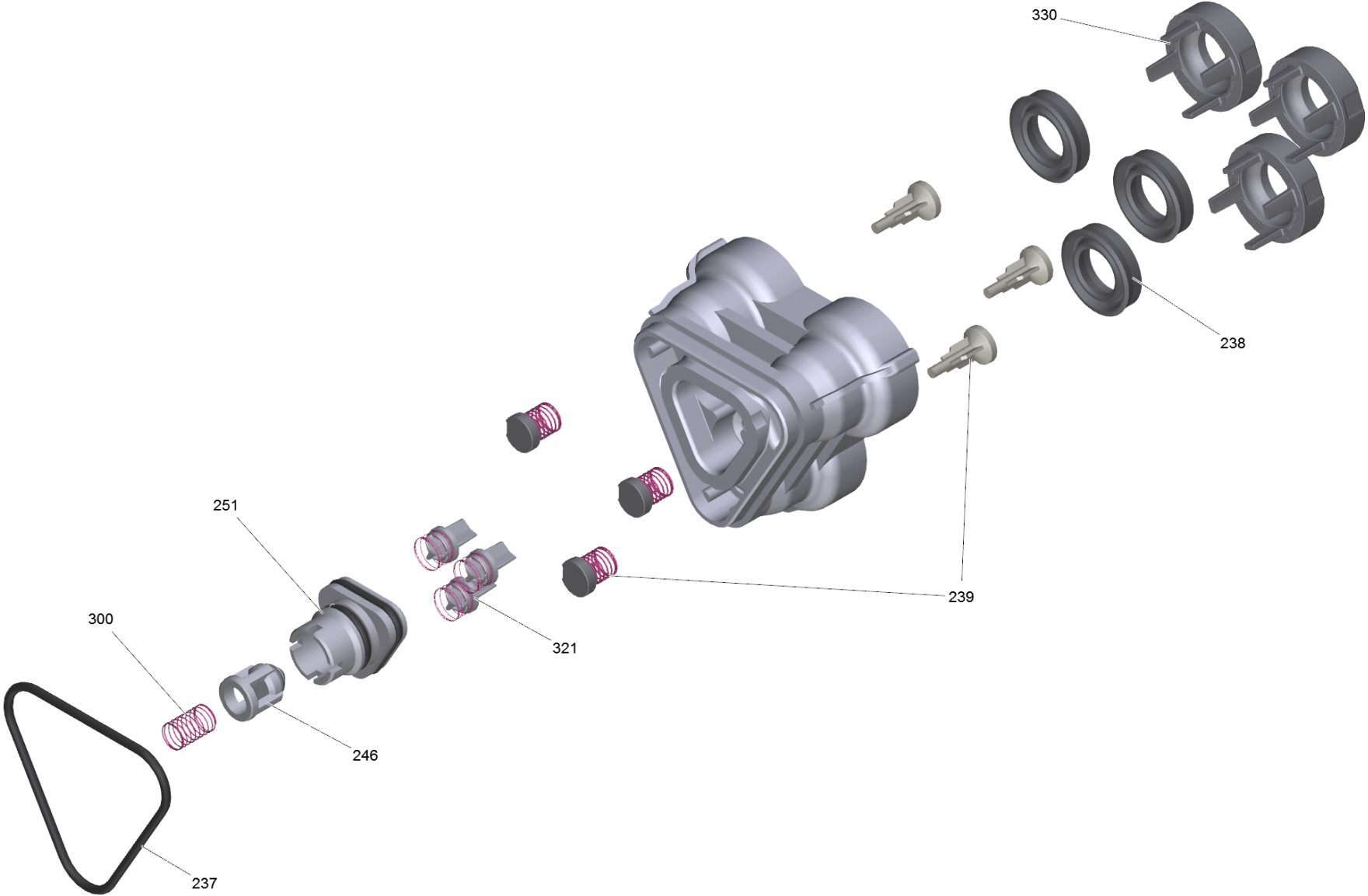
22 Housing

POS	Article no.	Description	Quantity	Unit	Foot note text
6	9.037-673.0	Bracket pump (bridge)	1.000	ST	
17	9.001-107.0	Cage complete	1.000	ST	
21	6.465-031.0	Connection 3/4	1.000	ST	
5	9.039-308.0	Cover K130	1.000	ST	
10	9.081-422.0	Form seal	1.000	ST	
13	6.362-875.0	Grooved ring	3.000	ST	
11	9.001-999.0	head pump wcm spare part	1.000	ST	
	Item text1: 1.180-612.0/-609.0				
1	9.001-749.0	High-pressure outlet complete	1.000	ST	
16	9.001-106.0	Joining piece	1.000	ST	
8	9.002-029.0	manifold HR + pressure piston	1.000	ST	
2	9.039-148.0	Metal fork	2.000	ST	
14	9.001-110.0	Moulded part complete	1.000	ST	SET CONSISTS OF 3X MACHINED PART COMPL.
4	9.002-028.0	pressure piston HR (spare)	1.000	ST	
7	9.002-027.0	Rad. 90° control housing HR (ric)	1.000	ST	
3	9.086-200.0	Screw M 8x55 Class 8.8	4.000	ST	
12	9.080-455.0	Seal 10x2,8	2.000	ST	
11	9.001-693.0	Spare parts set cylinder head WCP	1.000	ST	
	Item text1: all other machines				
20	9.001-748.0	Spare parts set suction side	1.000	ST	
15	9.001-149.0	Spare parts set valve	1.000	ST	SET CONSITSTS OF 3X VALVE
18	9.047-026.0	Spring	1.000	ST	
22	9.037-059.0	Support ring	3.000	ST	
	Item text1: all other machines				
22	9.038-428.0	Supportring 6,7 mm	3.000	ST	
	Item text1: 1.180-612.0/-609.0				
19	9.002-017.0	Venturi nozzle D.1,45	1.000	ST	



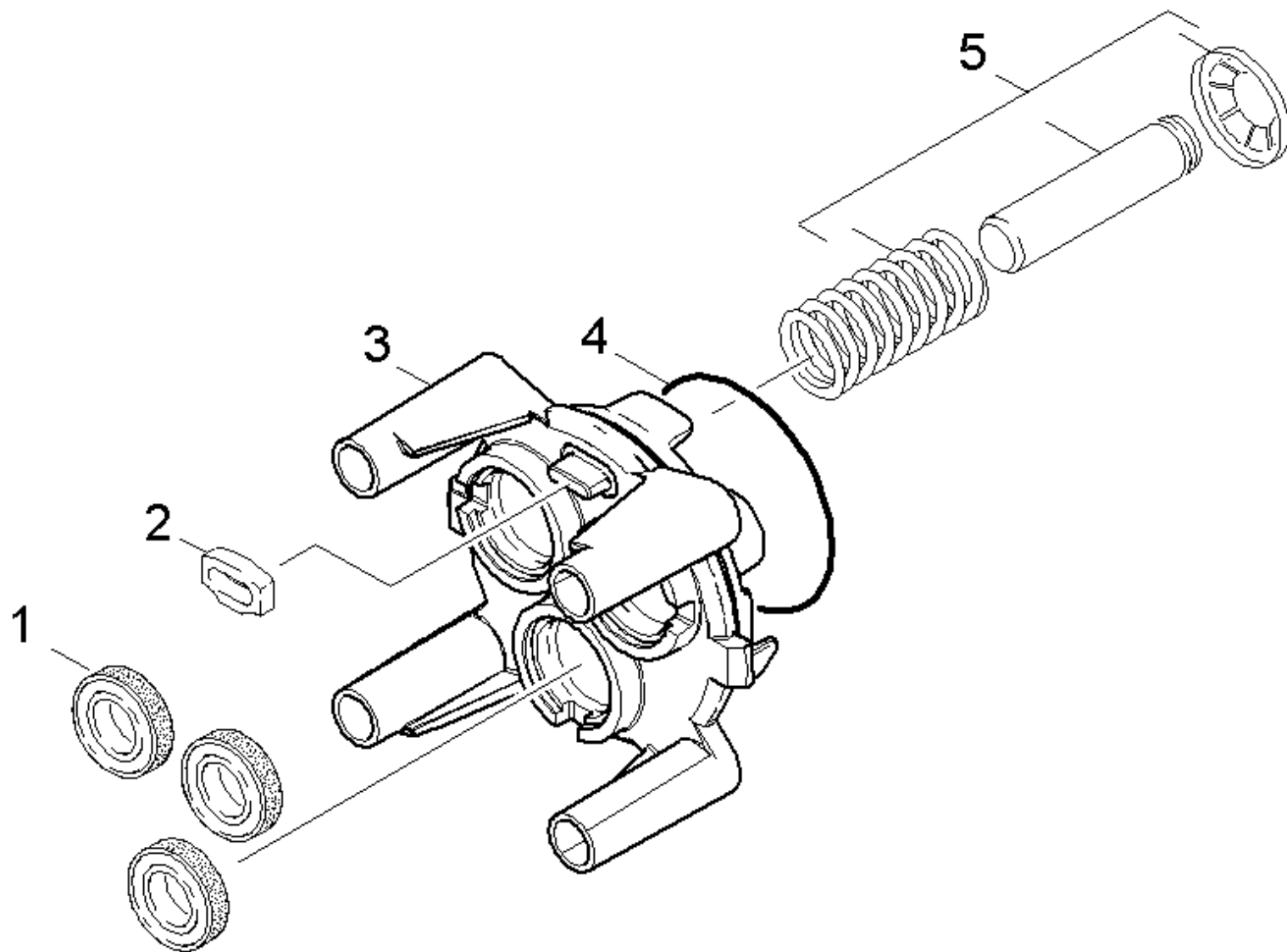
4 pressure piston HR (spare) (9.002-028.0)

POS	Article no.	Description	Quantity	Unit
60	9.002-027.0	Rad. 90° control housing HR (ric)	1.000	ST



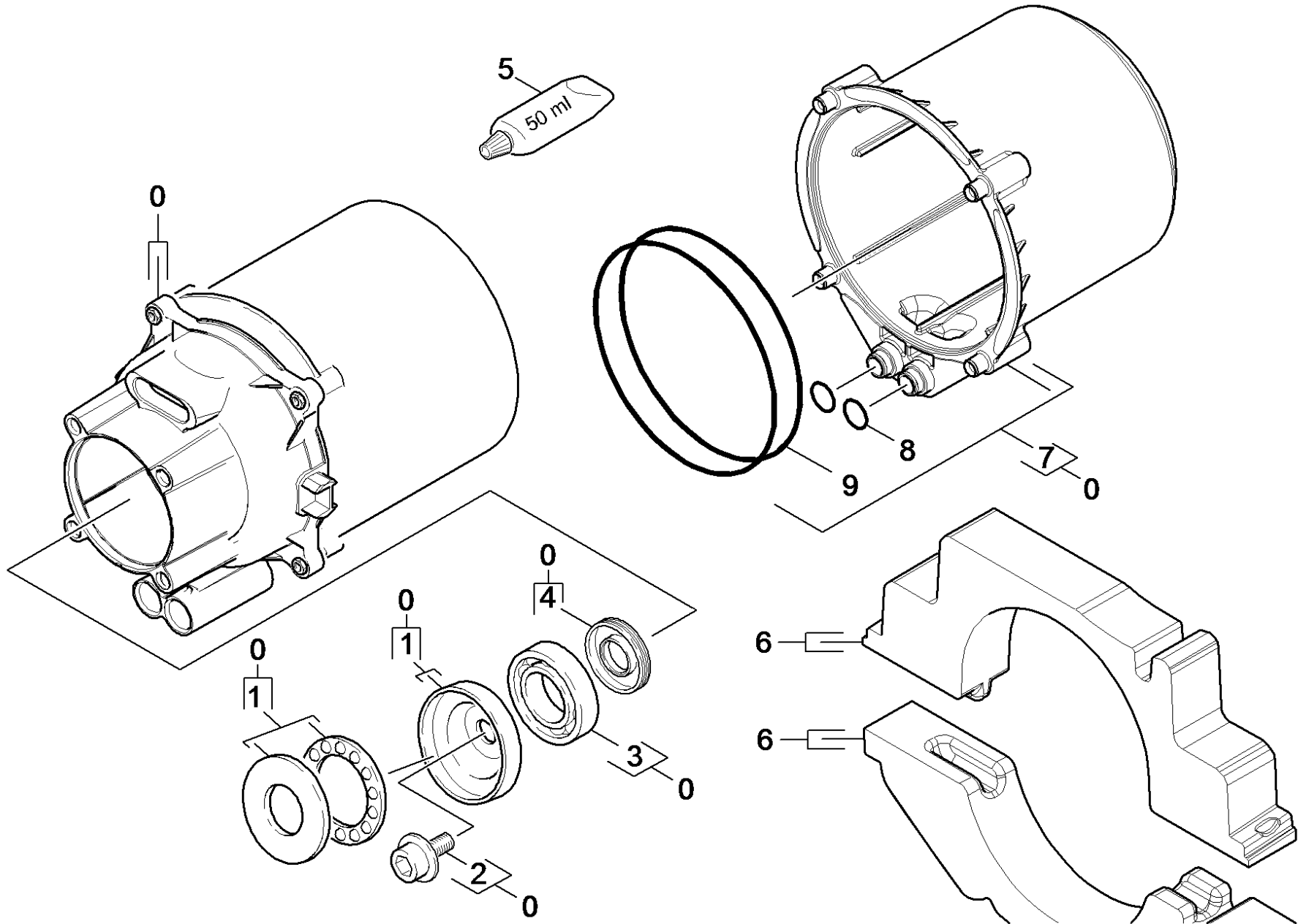
11 head pump wcm spare part (9.001-999.0)

POS	Article no.	Description	Quantity	Unit
246	9.001-107.0	Cage complete	1.000	ST
237	9.081-422.0	Form seal	1.000	ST
238	6.362-875.0	Grooved ring	3.000	ST
251	9.001-106.0	Joining piece	1.000	ST
239	9.001-110.0	Moulded part complete	1.000	ST
321	9.001-149.0	Spare parts set valve	1.000	ST
300	9.047-026.0	Spring	1.000	ST
330	9.038-428.0	Supportring 6,7 mm	3.000	ST



23 Thrust guidance

POS	Article no.	Description	Quantity	Unit
1	9.078-015.0	Grooved ring	3.000	ST
4	9.080-426.0	O-Ring seal 62x3 NBR 70Shore	1.000	ST
5	9.001-927.0	Piston complete	3.000	ST
3	9.042-129.0	Pistonguide K3/K4 Compact machined	1.000	ST
2	9.048-071.0	Spacer - Seal	1.000	ST

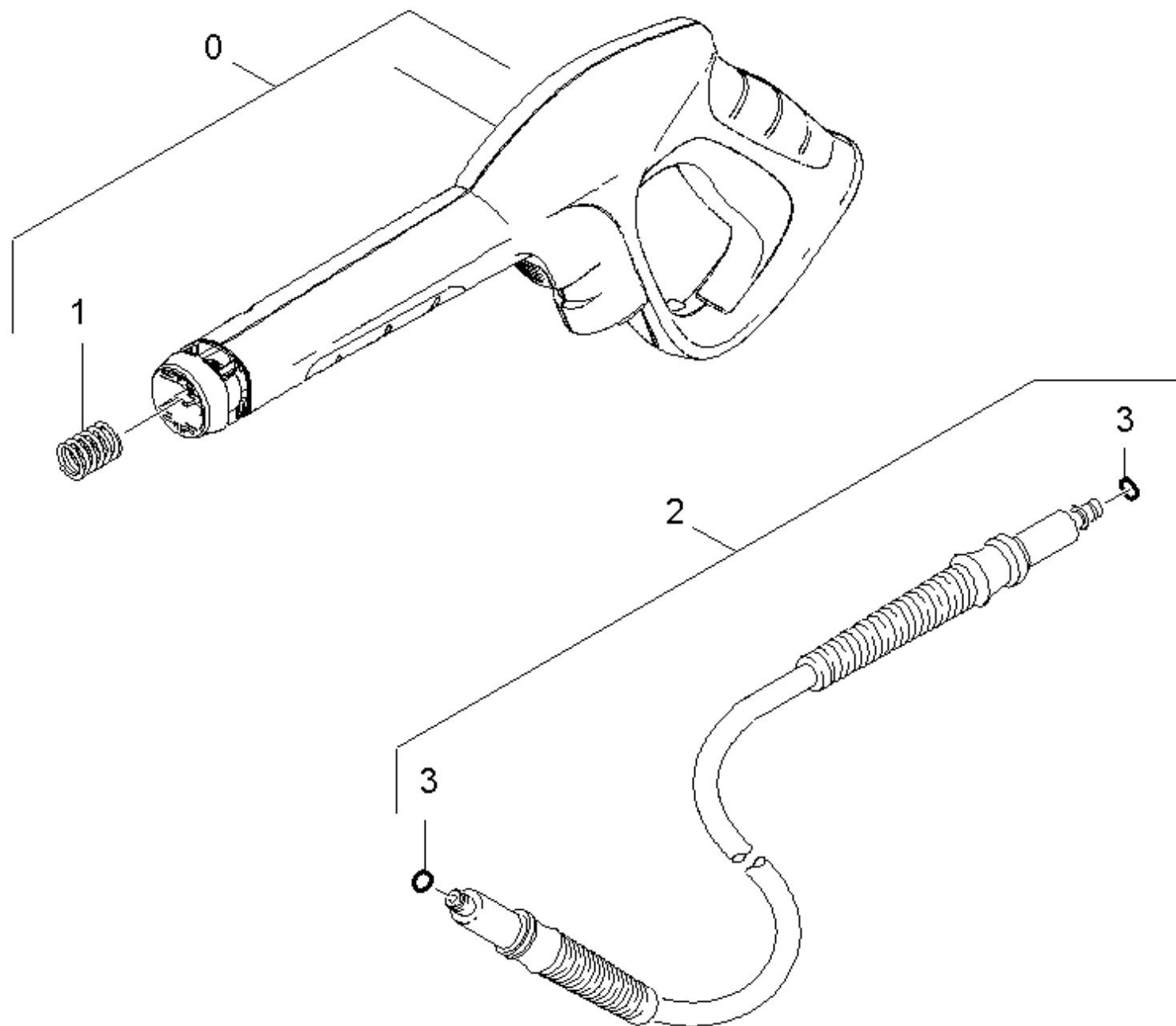


30 Motor

POS	Article no.	Description	Quantity	Unit
3	7.401-010.0	Ball bearing 6303 -St DIN 625	1.000	ST
7	9.001-918.0	Covering cap motor complete	1.000	ST
0	9.001-891.0	Motor replacement 9012-8140	1.000	ST
9	9.080-453.0	O-Ring seal 95x6	2.000	ST
4	9.078-007.0	Rotary shaft seal 17x35x5	1.000	ST
2	9.086-205.0	Screw	1.000	ST
8	9.080-455.0	Seal 10x2,8	2.000	ST
5	6.964-092.0	Viscous oil 50ml	1.000	ST
6	9.001-799.0	Web PS	1.000	ST
1	9.001-671.0	Wobble plate	1.000	ST

40 Accessories

POS	Description	Quantity	Unit
41	Hand trigger gun	1.000	ST
42	Jet pipe	1.000	ST
43	Surface cleaner	1.000	ST



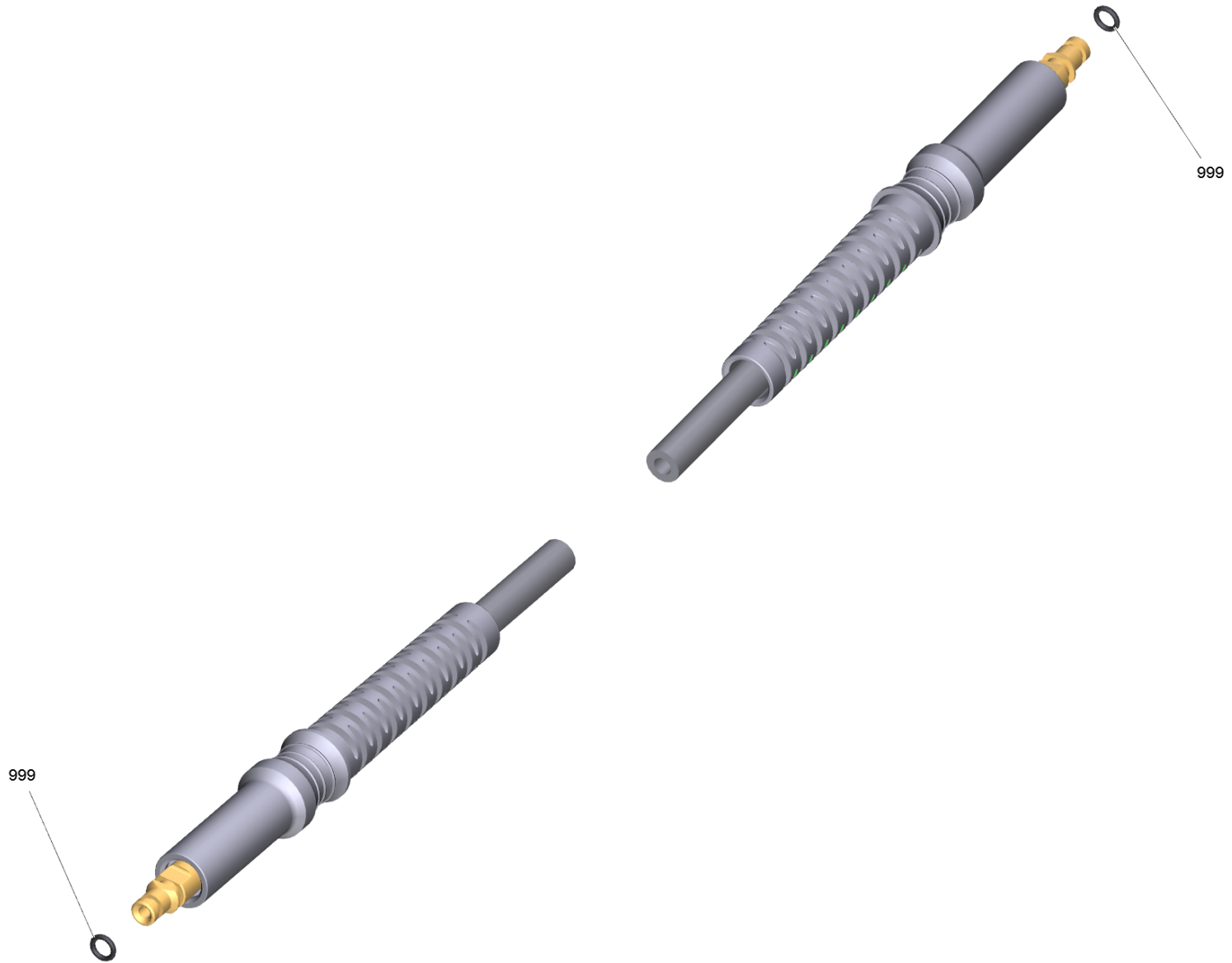
41 Hand trigger gun

POS	Article no.	Description	Quantity	Unit
0	2.642-172.0	G 160 Q pistol Quick Connect	1.000	ST
2	2.641-721.0	H 9 Q high pressure hose Quick Connect	1.000	ST
3	6.363-410.0	O-Ring seal 5,7x1,78 NBR 90Shore	2.000	ST
1	5.332-464.0	Pressure spring	1.000	ST



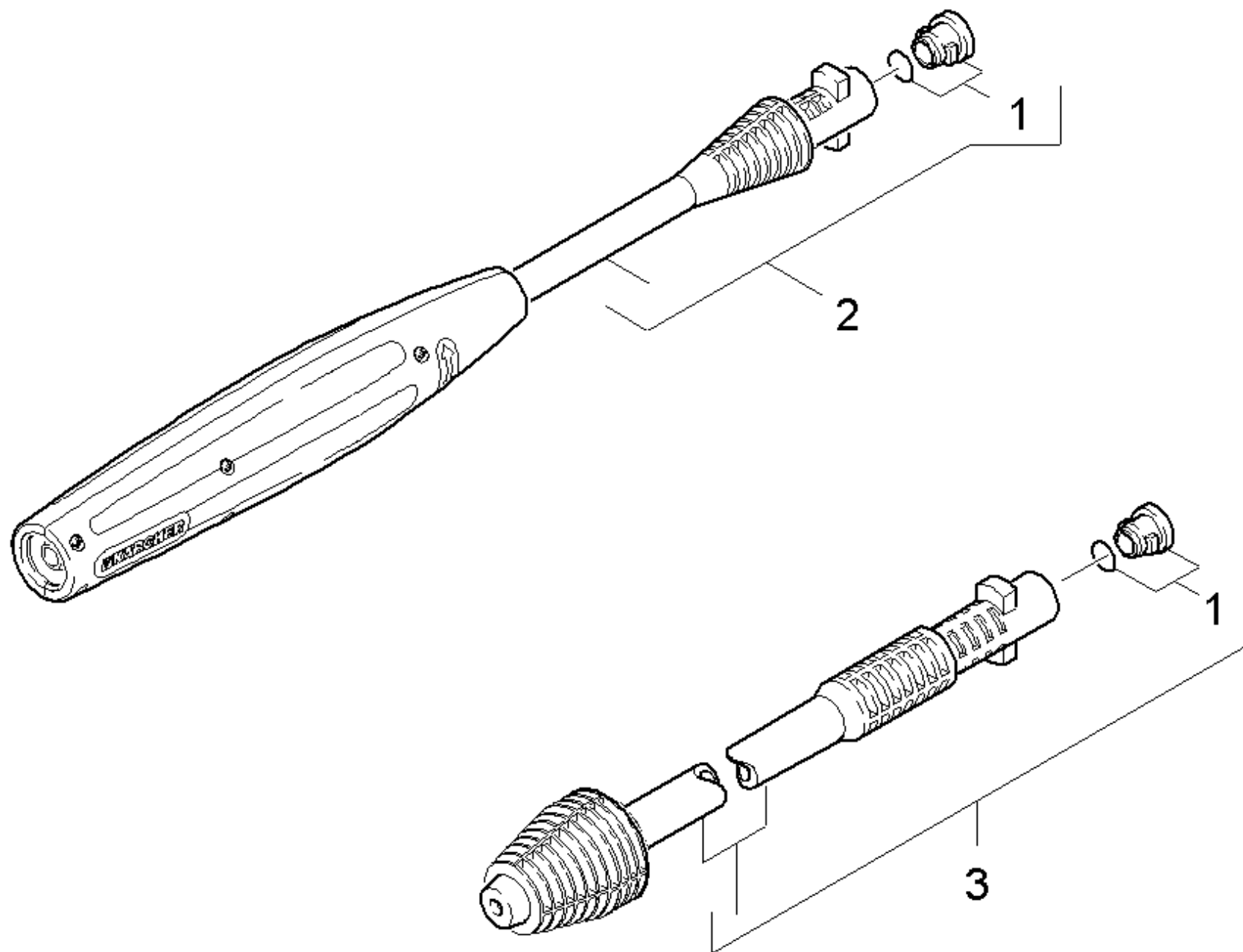
G 160 Q pistol Quick Connect (2.642-172.0)

POS	Article no.	Description	Quantity	Unit
1	5.332-464.0	Pressure spring	1.000	ST



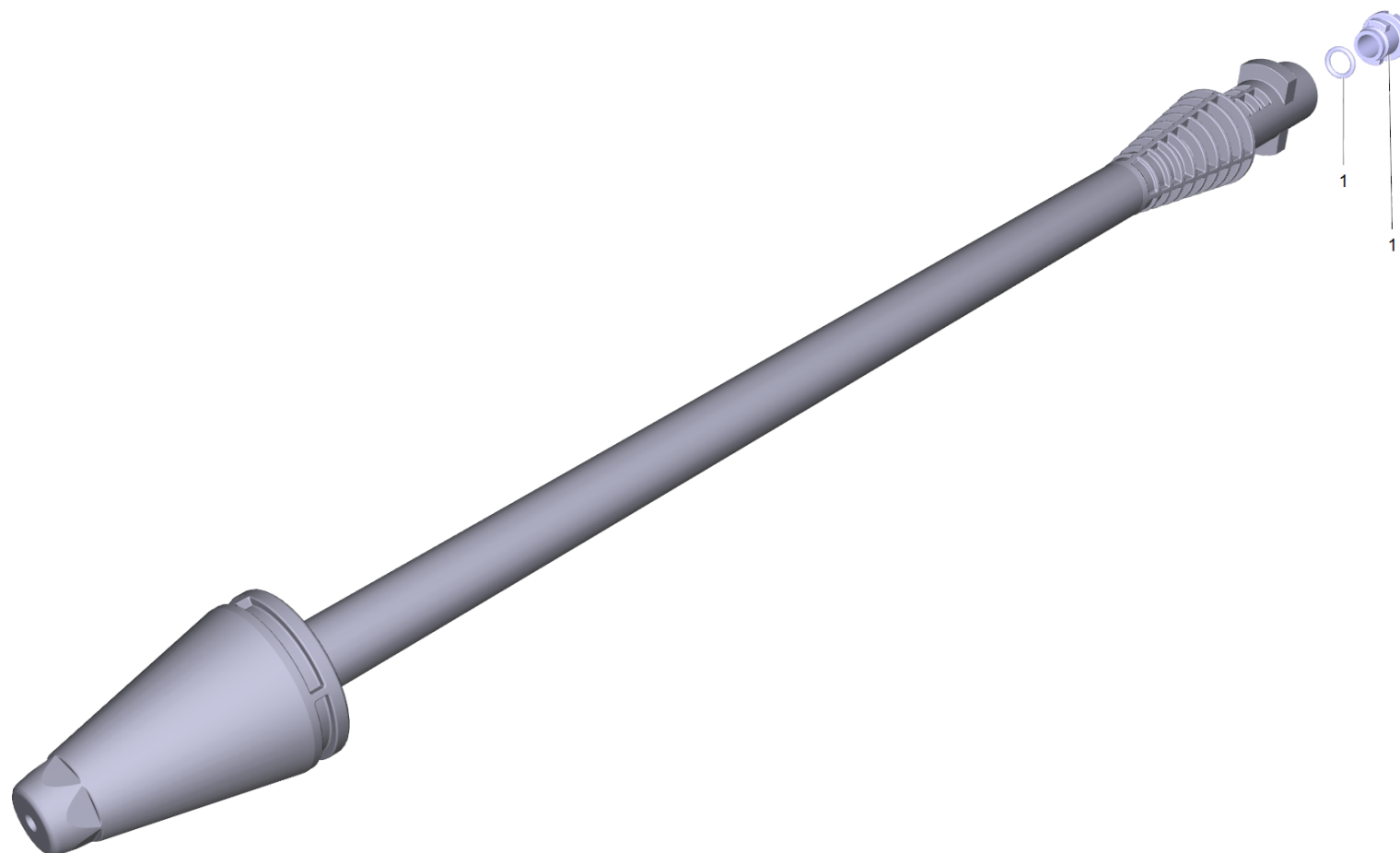
2 H 9 Q high pressure hose Quick Connect (2.641-721.0)

POS	Article no.	Description	Quantity	Unit
999	2.640-729.0	O-Ring seal set	1.000	ST



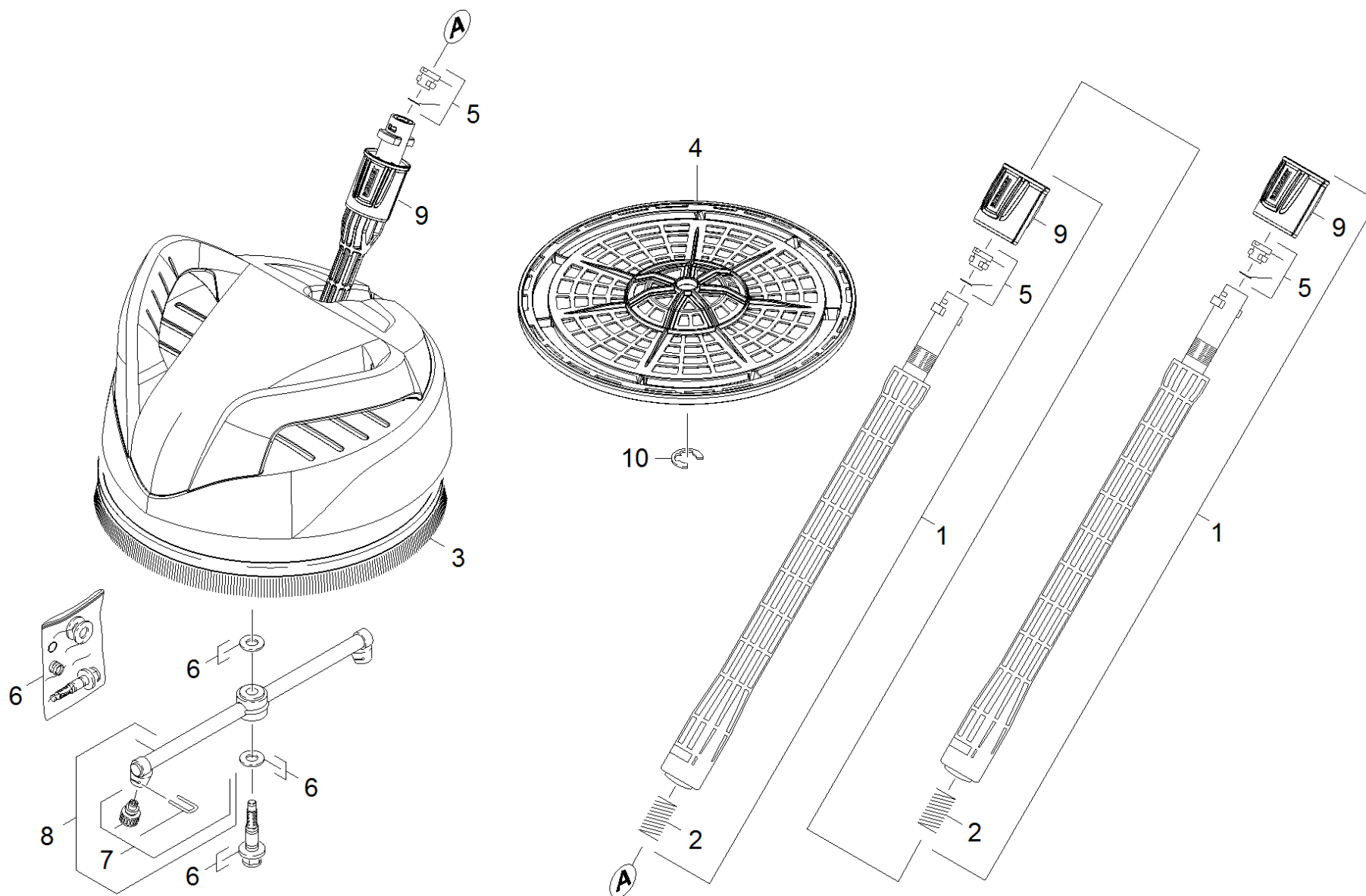
42 Jet pipe

POS	Article no.	Description	Quantity	Unit
3	4.764-281.0	Dirt blaster 031 St - CEM 14,5MPa	1.000	ST
1	2.640-729.0	O-Ring seal set	1.000	ST
2	4.760-534.0	VPS K3 0287 K	1.000	ST



3 Dirt blaster 031 St - CEM 14,5MPa (4.764-281.0)

POS	Article no.	Description	Quantity	Unit
1	2.640-729.0	O-Ring seal set	1.000	ST



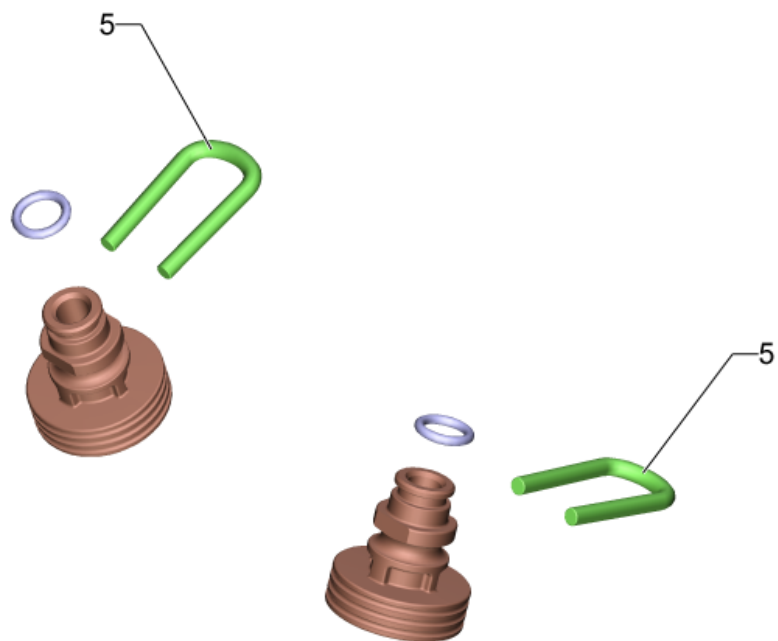
43 Surface cleaner




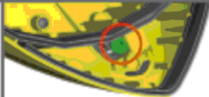




POS	Article no.	Description	Quantity	Unit
6	2.883-963.0	Bearing neck complete	1.000	ST
4	5.394-865.0	Grate T 250 Plus	1.000	ST
10	7.343-206.0	Lock washer 12-2.1030 DIN 6799	1.000	ST
9	5.310-160.0	Nut Kaercher	3.000	ST
5	2.640-729.0	O-Ring seal set	3.000	ST
2	5.332-464.0	Pressure spring	2.000	ST
1	2.643-240.0	Single-step jet pipe extension	2.000	ST
8	2.885-182.0	Spare part set rotor T 250 plus	1.000	ST
7	2.643-338.0	Spare parts nozzles T-Racer	1.000	ST
3	6.371-086.0	Strip brush	1.000	ST









1 Single-step jet pipe extension (2.643-240.0)

POS	Article no.	Description	Quantity	Unit
10	5.310-160.0	Nut Kaercher	1.000	ST
3	2.640-729.0	O-Ring seal set	1.000	ST
8	5.332-464.0	Pressure spring	1.000	ST



T 50, T 70, T 80, T 100 T 150, T 200, T 250, T 300, T 400, T 450, T 550	K 2 - K 5		
	K 6 - K 7		
T 400, T 450 T 550			
T 200, T 250	K 6 - K 7		
T 350 Gas			

	K 3 - K 5	
	K 6 - K 7	

	K 2	
	K 3 - K 5	

7 Spare parts nozzles T-Racer (2.643-338.0)

POS	Article no.	Description	Quantity	Unit	Remark	Foot note text
5	5.037-151.0	Clamp	2.000	ST		
1	4.764-155.0	Nozzle complete 15015	1.000	ST	<13 MPa (<130 bar)	GREY
		Item text1: 015				
2	4.764-156.0	Nozzle complete 15020	1.000	ST	13 MPa (130 bar) - 16 MPa (160 bar)	YELLOW
		Item text1: 020				
3		Nozzle complete 15027	1.000	ST		BLACK
		Item text1: 027				
4	4.764-190.0	Nozzle kpl. 75047	1.000	ST		GREEN
		Item text1: 047				

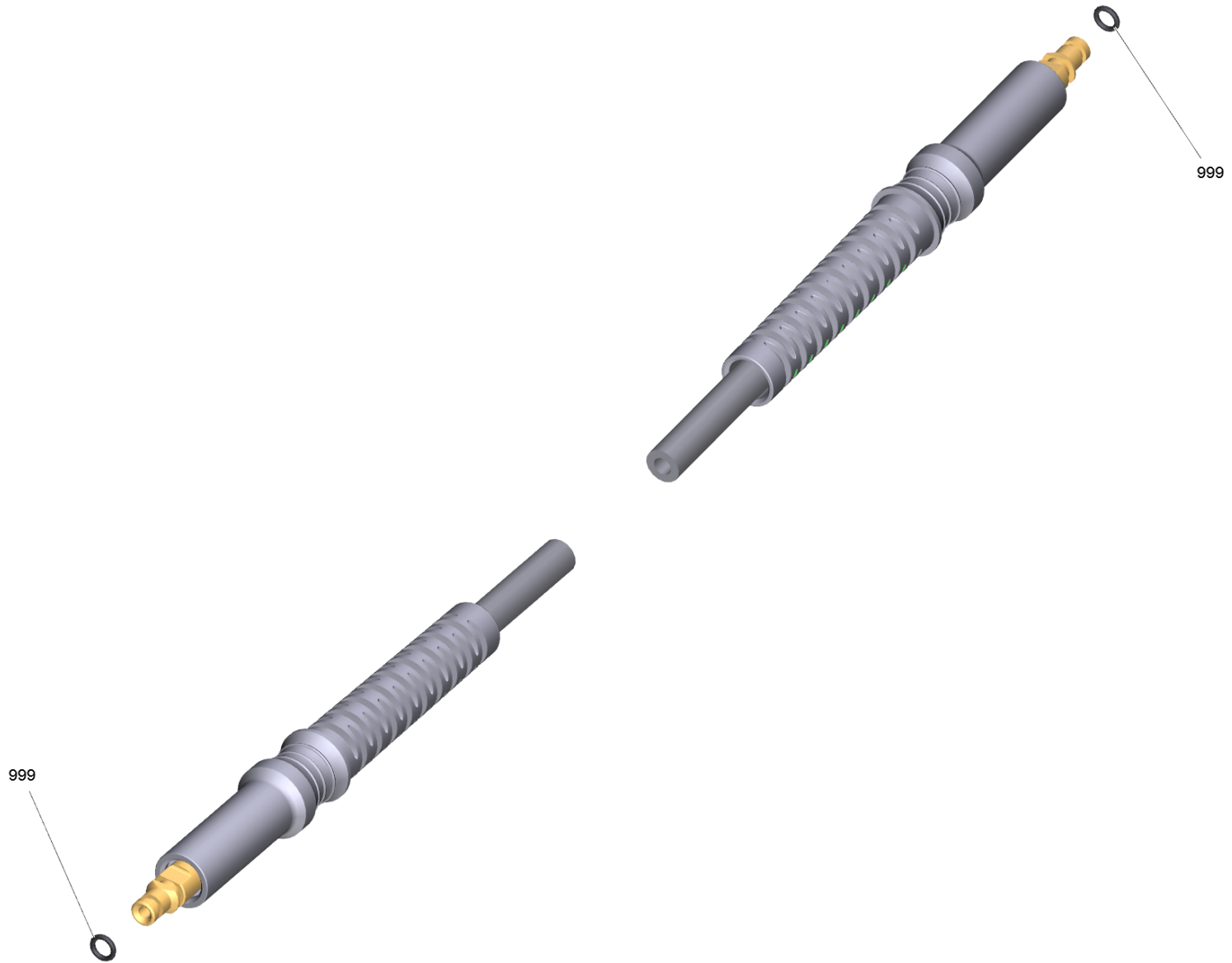
40 Accessories

POS	Article no.	Description	Quantity	Unit
44	2.642-728.0	DB 145 Dirt Blaster (packaged)	1.000	ST
41	2.642-889.0	G 180 Q Trigger gun Quick Connect	1.000	ST
42	2.641-721.0	H 9 Q high pressure hose Quick Connect	1.000	ST
43	2.642-725.0	VP 145 Vario Power Jet (packaged)	1.000	ST



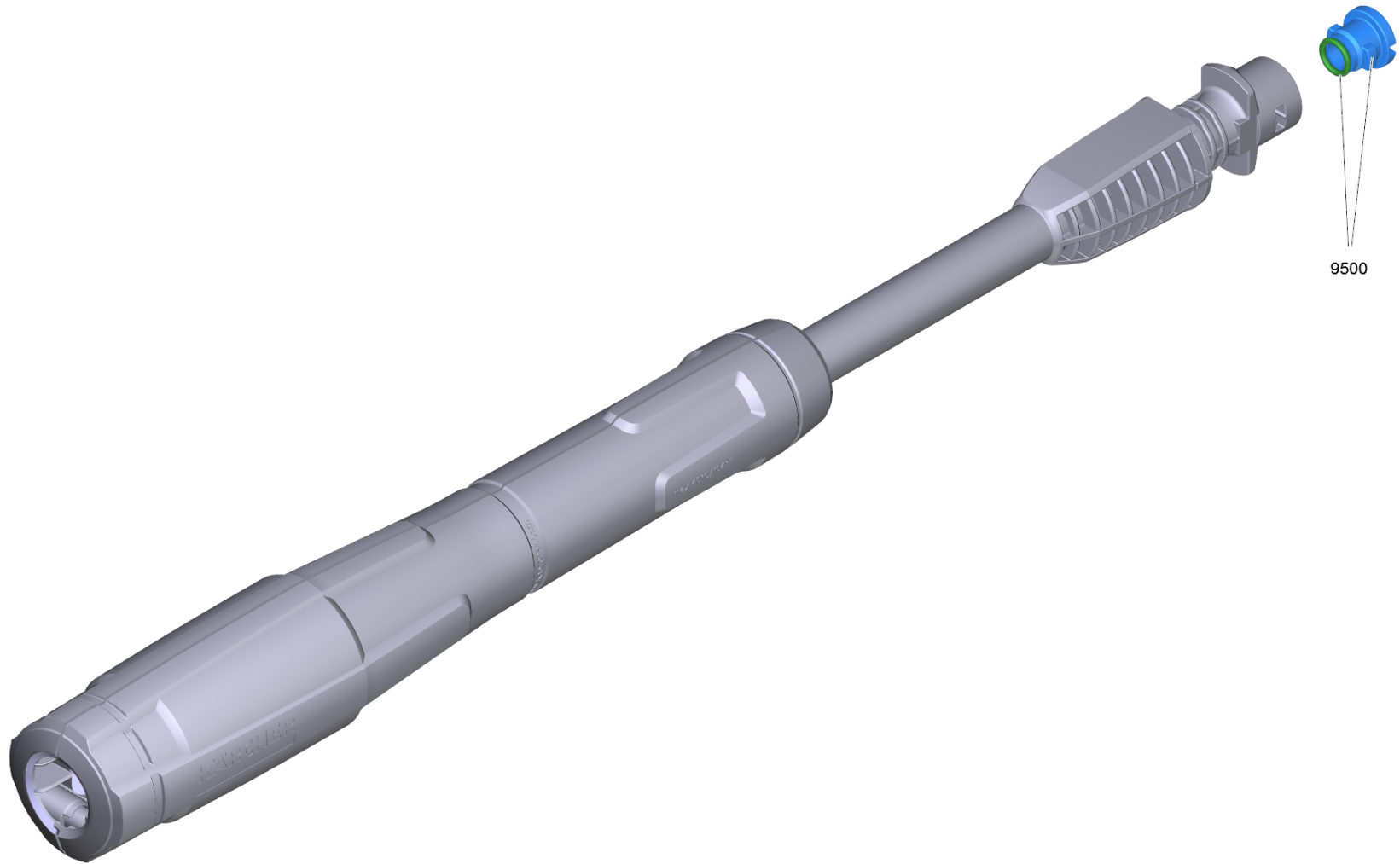
41 G 180 Q Trigger gun Quick Connect (2.642-889.0)

POS	Article no.	Description	Quantity	Unit
1	5.332-464.0	Pressure spring	1.000	ST



42 H 9 Q high pressure hose Quick Connect (2.641-721.0)

POS	Article no.	Description	Quantity	Unit
999	2.640-729.0	O-Ring seal set	1.000	ST



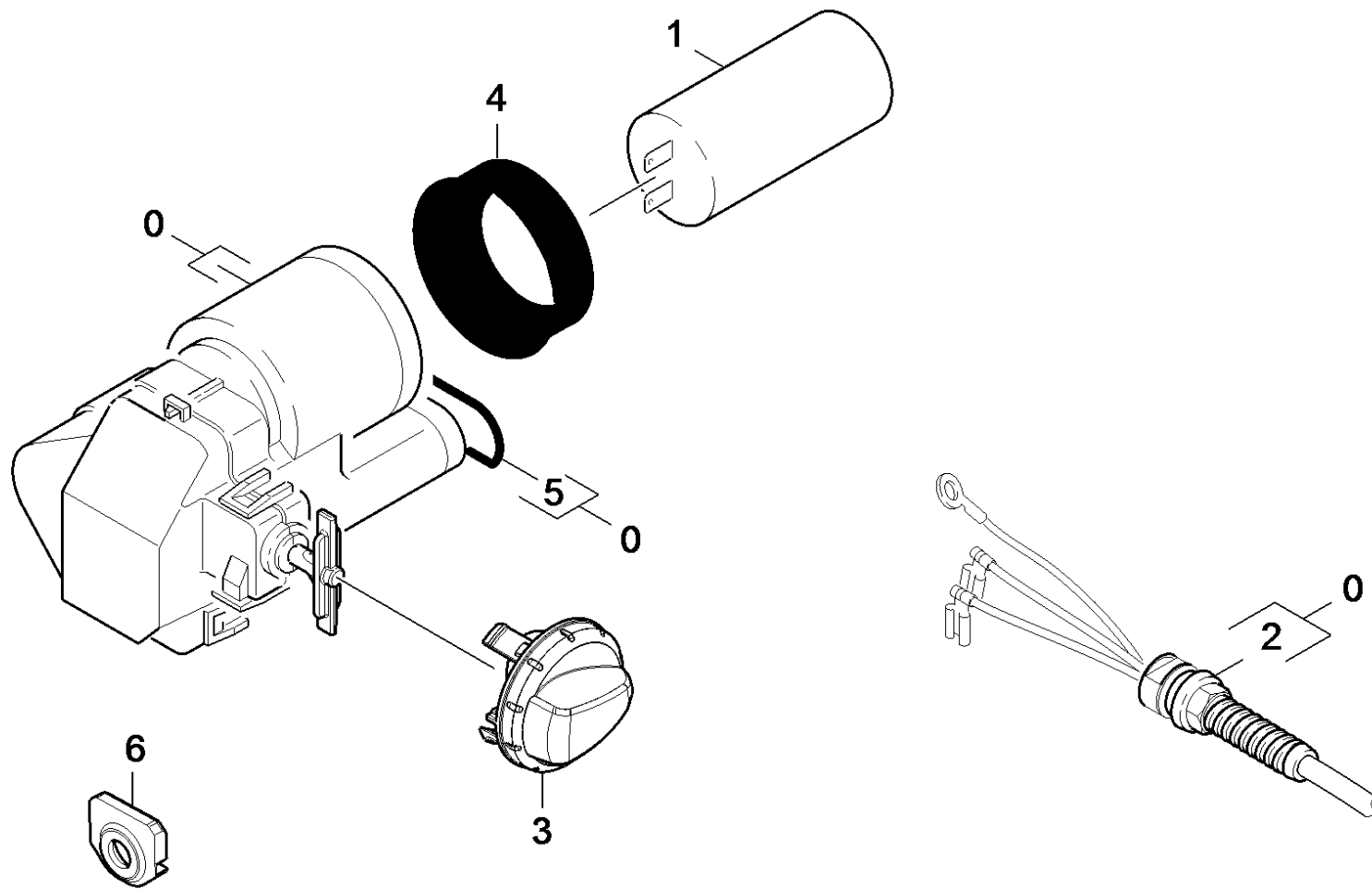
43 VP 145 Vario Power Jet (packaged) (2.642-725.0)

POS	Article no.	Description	Quantity	Unit
9500	2.640-729.0	O-Ring seal set	1.000	ST



44 DB 145 Dirt Blaster (packaged) (2.642-728.0)

POS	Article no.	Description	Quantity	Unit
9500	2.640-729.0	O-Ring seal set	1.000	ST



50 Electric box

POS	Article no.	Description	Quantity	Unit
2	9.084-139.0	Cable with plug *EU	1.000	ST
	Item text1: 1.180-610.0 /-611.0 /-612.0			
2	9.084-290.0	Cable with plug 3G1 *CH	1.000	ST
	Item text1: 1.180-613.0			
1	9.085-013.0	Capacitor 25mF	1.000	ST
0	9.001-767.0	Electric box spare part	1.000	ST
	Item text1: 1.180-610.0 /-611.0 /-612.0			
0	9.001-770.0	Electric box spare part	1.000	ST
	Item text1: 1.180-613.0			
3	9.037-693.0	Handhold switch	1.000	ST
4	9.080-465.0	Joint ring capacitor d.45, 70 Shore	1.000	ST
5	9.081-417.0	O-Ring d.20 x 2	1.000	ST
6	9.037-441.0	Spacer electric box WCM	1.000	ST