

## **Spare parts list**

(1.222-101.0) T 191 \*EU

## Table of contents

---

T 191 *EU (1.222-101.0)	3
Spare parts list T 191 (5.958-526.0)	4
10 Appliance individual parts	5
11 Individual parts	6
12 Individual parts	8
20 Vacuum motor	11
21 Vacuum motor	12
3 Conversion kit base plate (2.640-190.0)	14
22 Vacuum motor	15
30 Accessories	17

T 191 \*EU (1.222-101.0)

---

POS	Article no.	Description	Quantity	Unit
0	5.958-526.0	Spare parts list T 191	1.000	ST
	Item text2: 12221010			

---

Spare parts list T 191 (5.958-526.0)

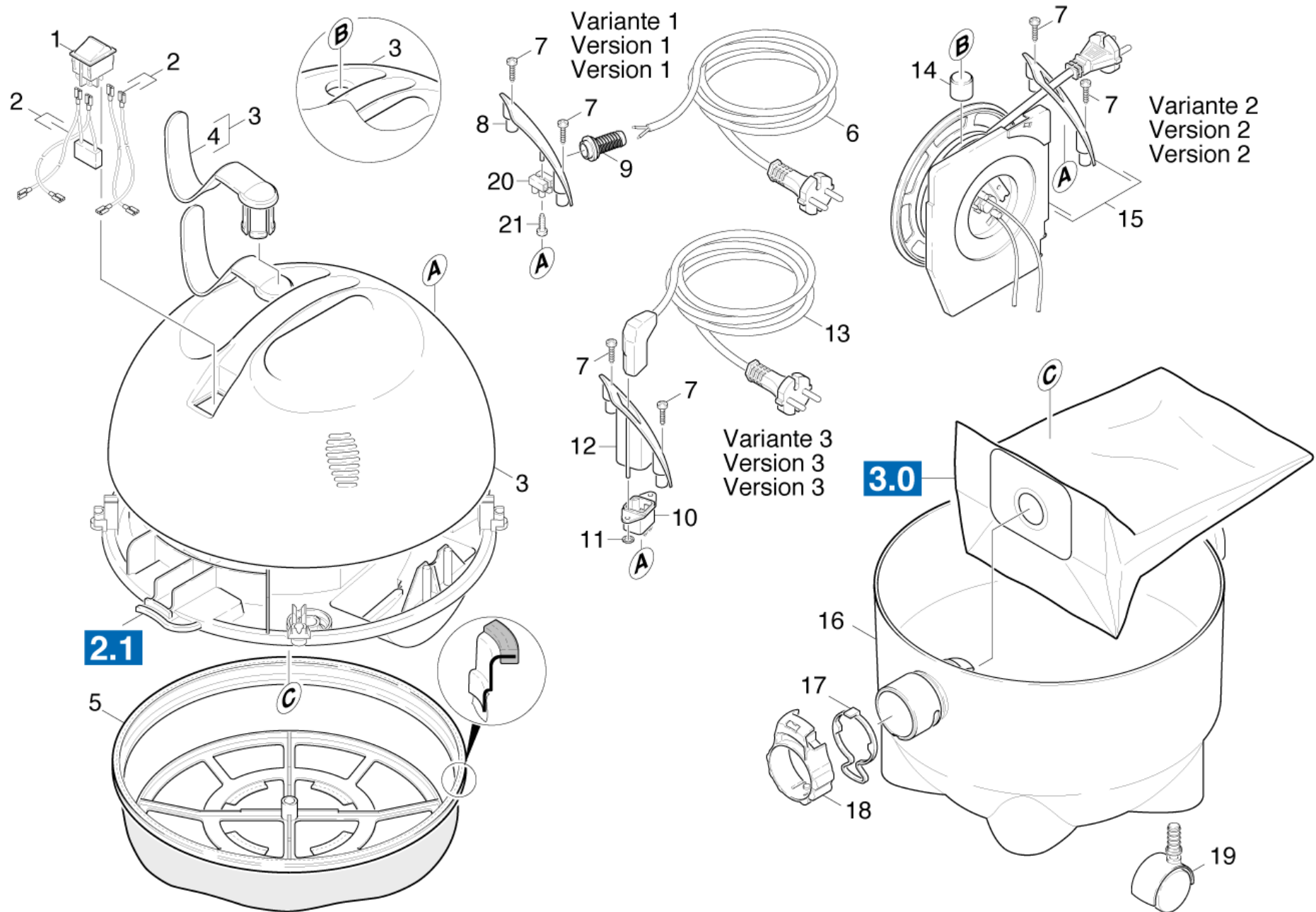
---

<b>POS</b>	<b>Description</b>	<b>Quantity</b>	<b>Unit</b>
10	Appliance individual parts	1.000	ST
20	Vacuum motor	1.000	ST
30	Accessories	1.000	ST

## 10 Appliance individual parts

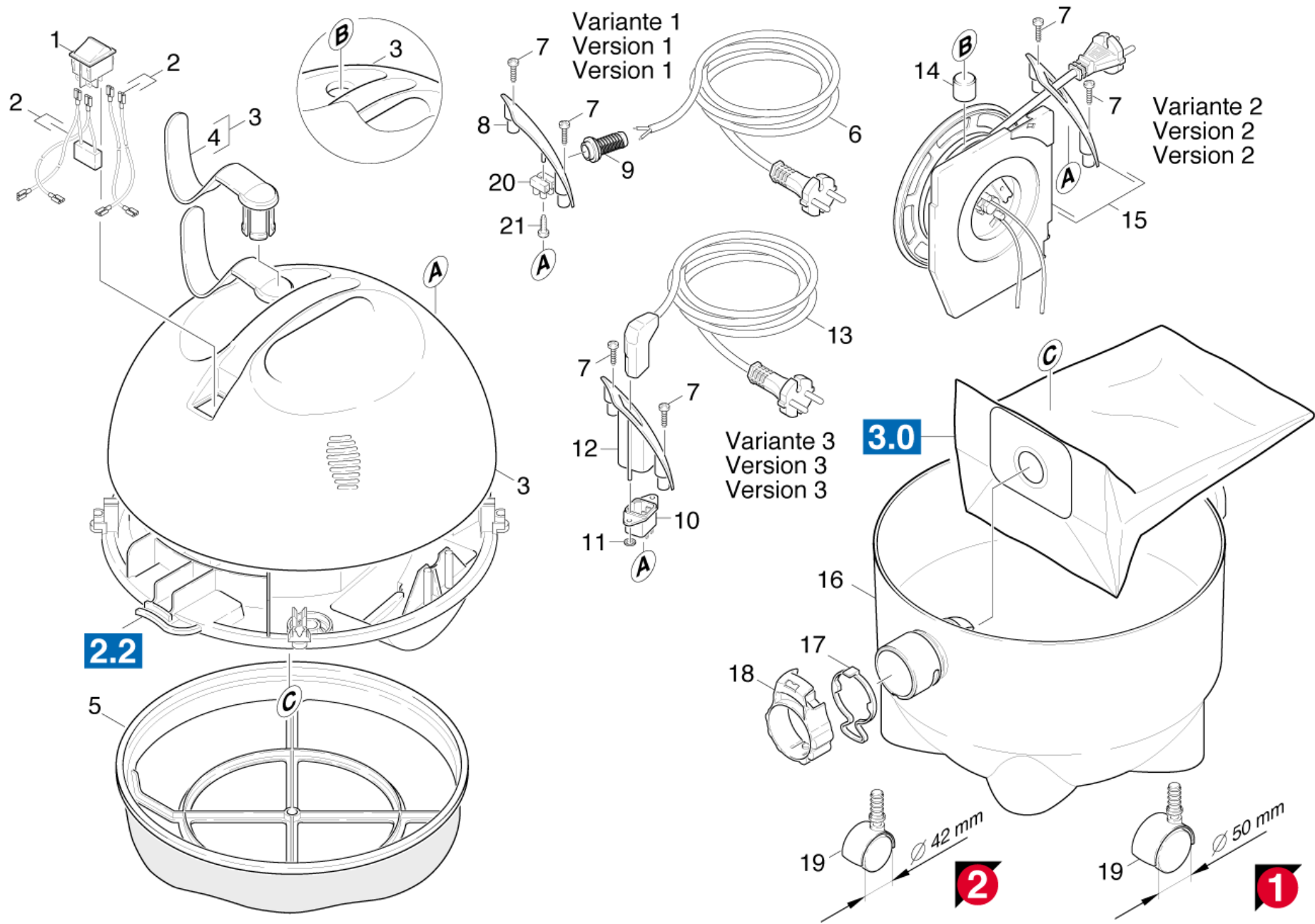
---

<b>POS</b>	<b>Description</b>	<b>Quantity</b>	<b>Unit</b>	<b>Remark</b>
11	Individual parts	1.000	ST	VERSION 1
12	Individual parts	1.000	ST	VERSION 2



## 11 Individual parts

POS	Article no.	Description	Quantity	Unit	Remark	Foot note text
1	6.630-156.0	Rocker switch black	1.000	ST		
2	4.839-257.0	Electrical small parts T 191	1.000	ST		VERSION 2
2	4.839-250.0	Electrical small parts	1.000	ST		VERSION 1
2	4.839-252.0	Electrical small parts	1.000	ST		VERSION 3
3	4.067-030.0	Cover	1.000	ST		
4	5.037-141.0	Hook	1.000	ST		VERSION 1+3
5	7.777-999.0	Stockpiling discontinued	1.000	ST		
6	7.777-999.0	Stockpiling discontinued	1.000	ST	*RA	VERSION 1
6	6.648-225.0	Cable with plug	1.000	ST	*GB	VERSION 1
6	6.647-109.0	Cable with plug *AU	1.000	ST		VERSION 1
6	6.647-980.0	Cable with plug	1.000	ST	*EUR	VERSION 1
6	6.648-224.0	Cable with plug	1.000	ST	*CH	VERSION 1
7	7.303-086.0	Screw 5x30 -10.9-R2R (K-In6Rd)	2.000	ST		
8	5.063-883.0	Cover	1.000	ST		VERSION 1
9	9.760-372.0	strain relief	1.000	ST		VERSION 1
10	6.646-199.0	Plug	1.000	ST		VERSION 3
11	6.343-139.0	Lock washer	2.000	ST		VERSION 3
12	5.063-884.0	Cover	1.000	ST		VERSION 3
13	6.648-226.0	Cable with plug	1.000	ST	*GB	VERSION 3
13	6.648-172.0	Power cable pluggable	1.000	ST	*EUR *10M	VERSION 3
13	6.647-129.0	Cable with plug 12m	1.000	ST	*CH 12M	VERSION 3
14	5.324-050.0	Pushbutton K 5200	1.000	ST		VERSION 2
15	6.648-236.0	Cable up scooter *CH	1.000	ST	*CH	VERSION 2
15	6.648-192.0	Cable up scooter	1.000	ST	*GB	VERSION 2
15	6.648-103.0	Cable up scooter	1.000	ST	*EUR	VERSION 2
16	5.070-538.0	Tank 10L	1.000	ST		
17	5.114-468.0	Locking ring	1.000	ST		
18	5.114-467.0	Lock ring	1.000	ST		
19	6.903-258.0	Double castor	5.000	ST		
20	6.643-121.0	Strip terminal two-pole	1.000	ZST		VERSION 1
21	7.303-501.0	Self-tapping screw M3x20-ST-A2E DIN 7500	1.000	ST		VERSION 1





## 12 Individual parts

POS	Article no.	Description	Quantity	Unit	Remark	Foot note text
1	6.630-156.0	Rocker switch black	1.000	ST		
2	4.839-252.0	Electrical small parts	1.000	ST		VERSION 3
2	4.839-257.0	Electrical small parts T 191	1.000	ST		VERSION 2
2	4.839-250.0	Electrical small parts	1.000	ST		VERSION 1
3		Cover CENTER PARCS	1.000	ST		
	<b>Item text1:</b> / 1.222-191.0					
3	4.067-030.0	Cover	1.000	ST		
	<b>Item text1:</b> / 1.222-101.0 / -102.0 / -103.0					
	<b>Item text2:</b> / -104.0 / -108.0 / -201.0 / -202.0					
4	5.037-141.0	Hook	1.000	ST		VERSION 1+3
5	6.414-693.0	Filter 1 St.	1.000	ST		
6	7.777-999.0	Stockpiling discontinued	1.000	ST	*RA	VERSION 1
6	6.647-109.0	Cable with plug *AU	1.000	ST		VERSION 1
6	6.648-225.0	Cable with plug	1.000	ST	*GB	VERSION 1
6	6.647-980.0	Cable with plug	1.000	ST	*EUR	VERSION 1
6	6.648-224.0	Cable with plug	1.000	ST	*CH	VERSION 1
7	7.303-086.0	Screw 5x30 -10.9-R2R (K-In6Rd)	2.000	ST		
8	5.063-883.0	Cover	1.000	ST		VERSION 1
9	9.760-372.0	strain relief	1.000	ST		VERSION 1
10	6.646-199.0	Plug	1.000	ST		VERSION 3
11	6.343-139.0	Lock washer	2.000	ST		VERSION 3
12	5.063-884.0	Cover	1.000	ST		VERSION 3
13	6.648-226.0	Cable with plug	1.000	ST	*GB	VERSION 3
13	6.648-172.0	Power cable pluggable	1.000	ST	*EUR *10M	VERSION 3
13	6.647-129.0	Cable with plug 12m	1.000	ST	*CH 12M	VERSION 3
14	5.324-050.0	Pushbutton K 5200	1.000	ST		VERSION 2
15	6.648-236.0	Cable up scooter *CH	1.000	ST	*CH	VERSION 2
15	6.648-192.0	Cable up scooter	1.000	ST	*GB	VERSION 2
15	6.648-103.0	Cable up scooter	1.000	ST	*EUR	VERSION 2
16	5.070-538.0	Tank 10L	1.000	ST		
17	5.114-468.0	Locking ring	1.000	ST		
18	5.114-467.0	Lock ring	1.000	ST		
19	6.435-353.0	Castor D 42	5.000	ST	D=42MM	

## 12 Individual parts

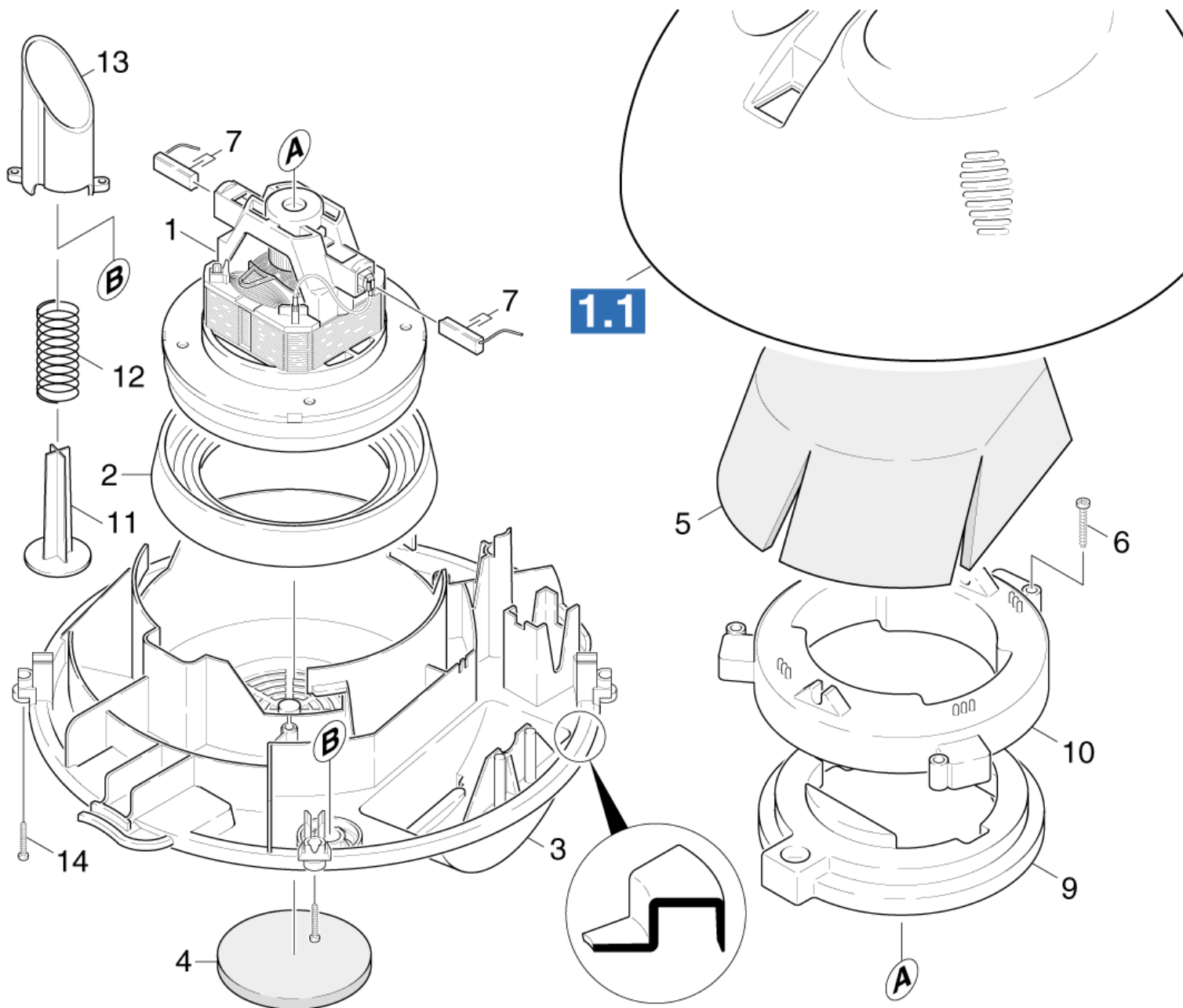
---

POS	Article no.	Description	Quantity	Unit	Remark	Foot note text
19	6.903-258.0	Double castor	5.000	ST	D=50MM	
20	6.643-121.0	Strip terminal two-pole	1.000	ZST		VERSION 1
21	7.303-501.0	Self-tapping screw M3x20-ST-A2E DIN 7500	1.000	ST		VERSION 1

20 Vacuum motor

---

<b>POS</b>	<b>Description</b>	<b>Quantity</b>	<b>Unit</b>	<b>Remark</b>
21	Vacuum motor	1.000	ST	VERSION 1
22	Vacuum motor	1.000	ST	VERSION 2



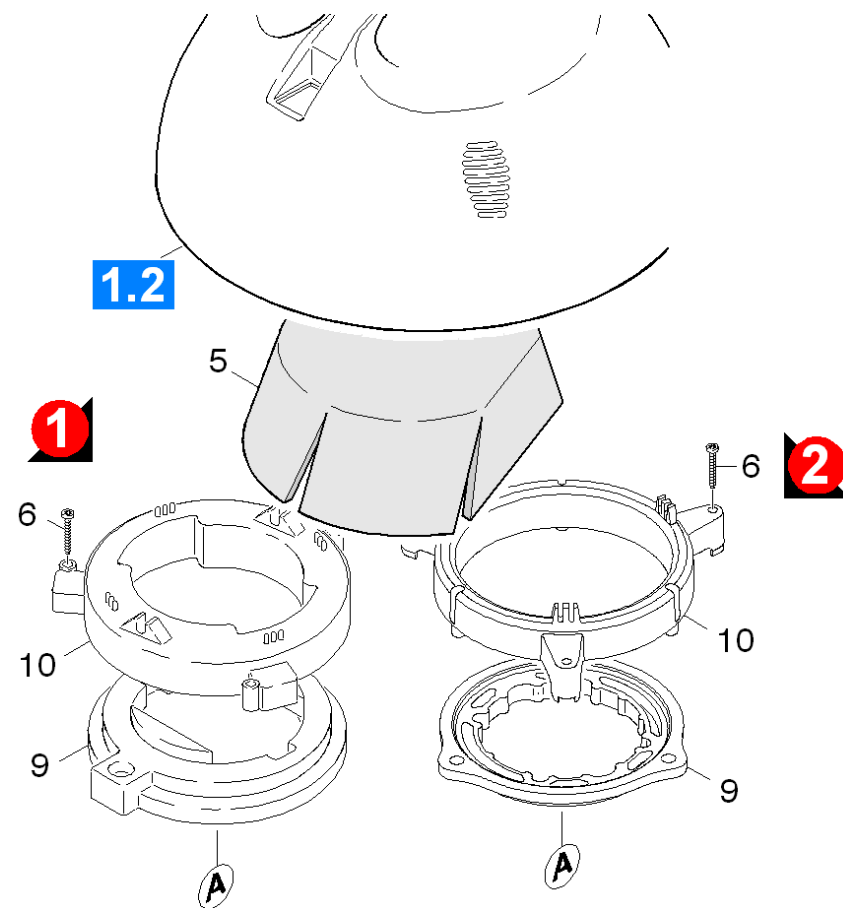
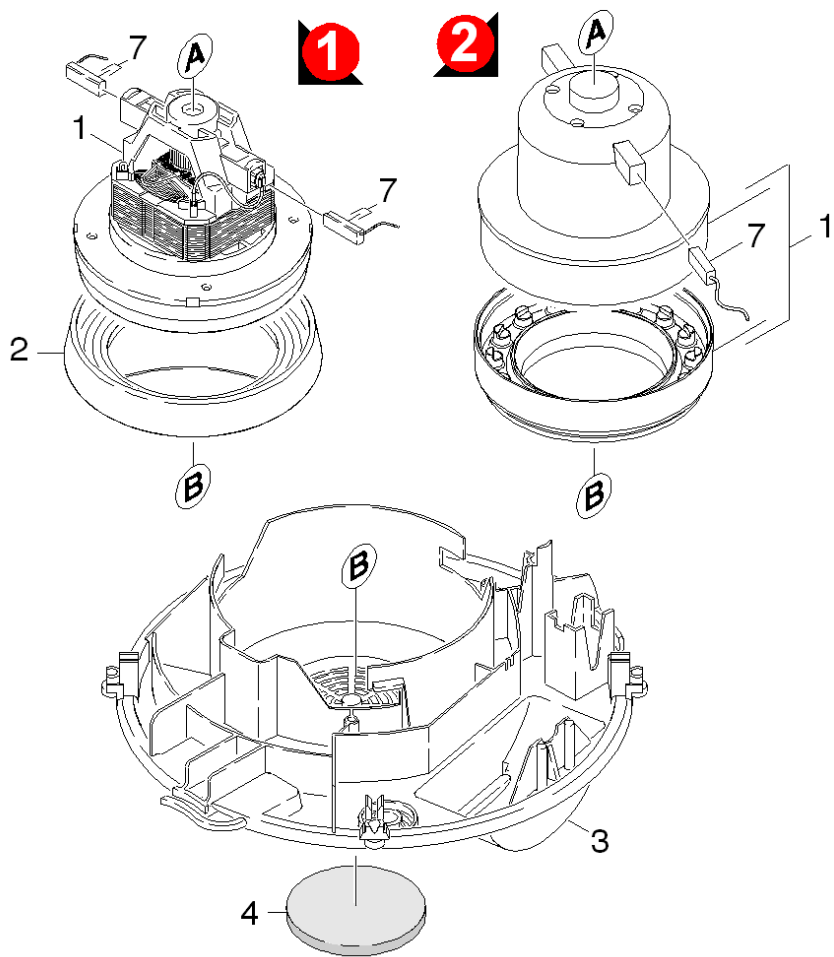
## 21 Vacuum motor

POS	Article no.	Description	Quantity	Unit	Remark
1	6.490-134.0	Vacuum motor 250V -F. HP 400 C/TOSHIBA	1.000	ST	*GB/*AUS
1	6.490-161.0	Vacuum motor 230V	1.000	ST	*EUR/*CH
2	5.363-321.0	Joint ring	1.000	ST	
3	7.777-999.0	Stockpiling discontinued	1.000	ST	*GB
3	2.640-190.0	Conversion kit base plate	1.000	ST	*EUR/*CH/*AUS/*RA
4	6.414-611.0	Filter 5 St.	1.000	ZSA	
5	6.286-366.0	Insulating mat	1.000	ST	
6	7.303-086.0	Screw 5x30 -10.9-R2R (K-In6Rd)	1.000	ST	
7	6.610-244.0	CARBON BRUSH SET	1.000	ST	*EUR/*CH
7	6.610-268.0	Carbon brush set only for replacement	1.000	ST	*GB/*AUS
9	5.250-097.0	Bearing above	1.000	ST	
10	5.114-466.0	Bayonet ring	1.000	ST	
11	5.580-044.0	Valve	1.000	ST	*GB
12	6.330-148.0	Spring	1.000	ST	*GB
13	5.692-050.0	Air circulation	1.000	ST	*GB
14	7.303-084.0	Screw 4x25 -10.9-R2R (K-In6Rd)	4.000	ST	

### 3 Conversion kit base plate (2.640-190.0)

---

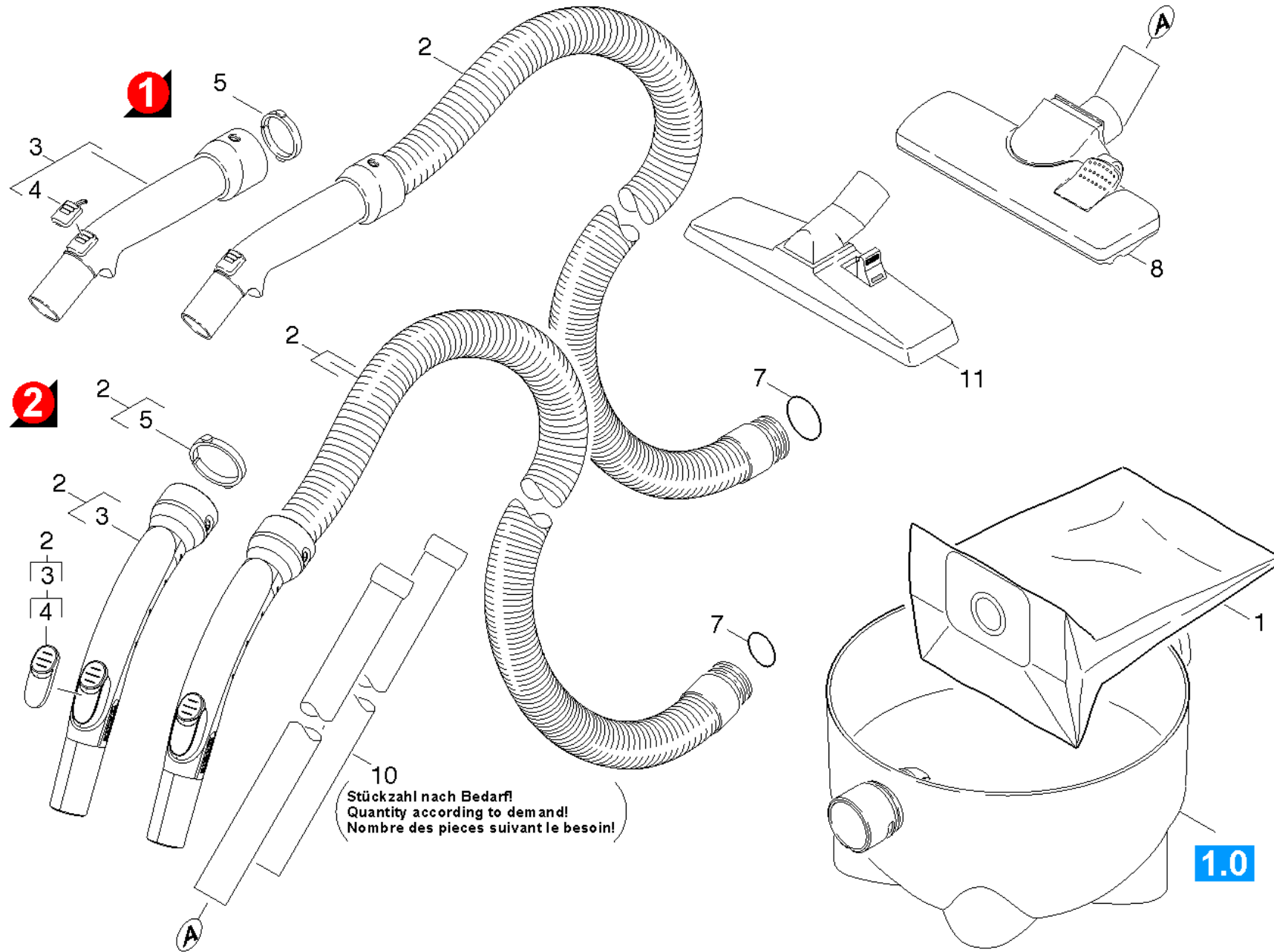
<b>POS</b>	<b>Article no.</b>	<b>Description</b>	<b>Quantity</b>	<b>Unit</b>
10	5.051-100.0	Base plate	1.000	ST
20		Filter	1.000	ST



## 22 Vacuum motor

POS	Article no.	Description	Quantity	Unit	Serial number from	Serial number to	Remark
1	4.610-066.0	Vacuum motor complete 230V	1.000	ST	92963		*EUR/*CH -- AMETEK // VERSION 2
1	6.490-134.0	Vacuum motor 250V -F. HP 400 C/TOSHIBA	1.000	ST		92962	*GB/*AUS -- DOMEL // VERSION 1
2	5.363-321.0	Joint ring	1.000	ST			*GB/*AUS // VERSION 1
3	7.777-999.0	Stockpiling discontinued	1.000	ST			*GB
3	5.051-110.0	Base plate	1.000	ST			*EUR/*CH/*AUS/*RA // VERSION 2
4	6.414-611.0	Filter 5 St.	1.000	ZSA			
5	6.286-366.0	Insulating mat	1.000	ST			
6	7.303-110.0	Screw 5x35 -10.9-R2R (In6Rd)	3.000	ST			
7	6.610-268.0	Carbon brush set only for replacement	1.000	ST			*GB/*AUS/ VERSION 1
7	6.610-258.0	Carbon brush set	1.000	ST			*EUR/*CH/ VERSION 2
9	5.250-139.0	Bearing above	1.000	ST			*EUR/*CH // VERSION 2
9	5.250-097.0	Bearing above	1.000	ST			*GB/*AUS // VERSION 1
10	5.114-523.0	Bayonet ring	1.000	ST			*EUR/*CH // VERSION 2
10	5.114-466.0	Bayonet ring	1.000	ST			*GB/*AUS/ VERSION 1
14	7.303-084.0	Screw 4x25 -10.9-R2R (K- In6Rd)	4.000	ST			





### 30 Accessories

POS	Article no.	Description	Quantity	Unit	Remark	Foot note text
1	6.904-218.0	Filter bag 10St.	1.000	ZSA		
2	4.440-907.0	Suction hose with elbow NW32	1.000	ST	VERSION 1	ANTISTATIC
2	4.440-774.0	Suction hose complete NW32	1.000	ST	VERSION 2	
3	4.408-051.0	Tube elbow AS	1.000	ST	VERSION 2	PAY ATTENTION TO VERSION
3	4.408-049.0	Elbow complete	1.000	ST	VERSION 1	PAY ATTENTION TO VERSION
4	5.032-729.0	Slider	1.000	ST	VERSION 2	
4	5.031-758.0	Slider	1.000	ST	VERSION 1	
	<b>Item text1:</b> / 4.408-049.0					
5	5.031-703.0	Tension ring C35	1.000	ST		
	<b>Item text1:</b> / 4.408-049.0					
7	6.362-163.0	O-Ring seal 30,2 X 3,0-NBR 70	1.000	ST		
8	6.906-211.0	Combination nozzle DN32	1.000	ST		
10	6.903-850.0	Suction tube DN 32	2.000	ST		QUANTITY ACCORDING TO DEMAND
11	6.906-212.0	Combination nozzle DN32	1.000	ST		