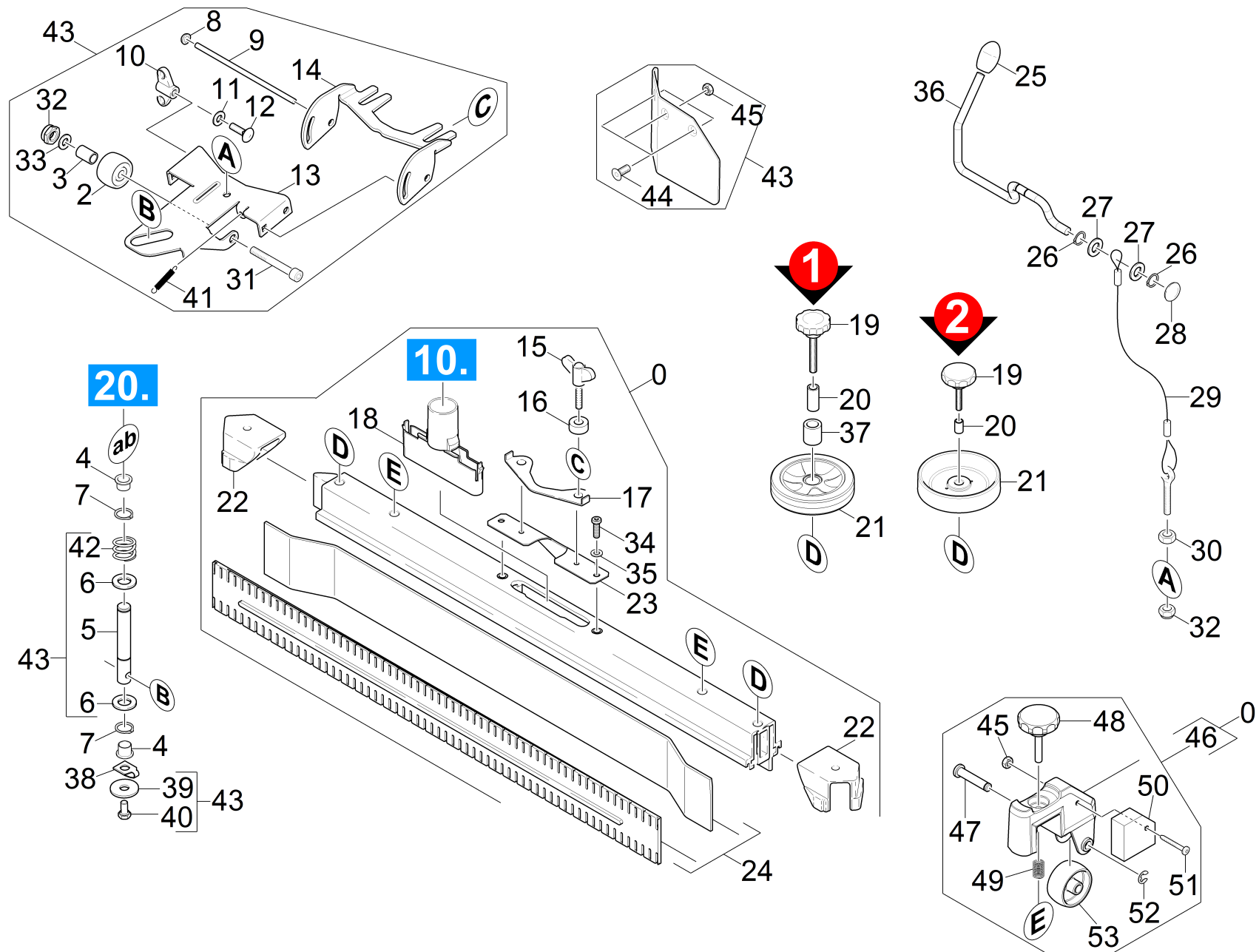


# 63 Suction bar

Professional \ Floor cleaner \ Walk behind \ BR 40/25 C Bp Pack \ Spare parts list BR/BD 40/25 C \ Suction mechanism \ Suction bar



## 63 Suction bar

Professional \ Floor cleaner \ Walk behind \ BR 40/25 C Bp Pack \ Spare parts list BR/BD 40/25 C \ Suction mechanism \ Suction bar

**KÄRCHER**

POS	Preces Nr.	Apraksts	Skaitis	Vienība	Sērijas numurs no	Sērijas numurs līdz	Piezīme	Zemsvītras piezīme
46	2.640-023.0	Add-on kit rollers suction bar	1.000	ST				
50	5.100-560.0	Additional weight suction bar 300 g	2.000	ST				
17	5.007-217.0	Baffle plate	1.000	ST	0000000000	0000000000		
9	5.107-202.0	Bar	1.000	ST	0000000000	0000000000		
4	6.437-484.0	Bearing bush	2.000	ST	0000000000	0000000000		
47	5.304-098.0	Bolt	2.000	ST				
5	5.317-357.0	Bolt suction bar BR/BD 40/25	1.000	ST	0000000000	0000000000		
43	2.882-673.0	Conversion kit suction beam retraction s	1.000	ST				
44	7.305-050.0	Countersunk screw	3.000	ST				
31	7.306-012.0	Cylinder head screw M10x90-A4-70 DIN 91	2.000	ST	0000000000	0000000000		
22	2.885-294.0	End piece left/right part	1.000	ST	0000000000	0000000000		
41	6.330-448.0	Extension spring	1.000	ST				
24	6.273-262.0	Gumijas latai - eļļizturīgas	1.000	ZSA	0000000000	0000000000		
24	6.273-254.0	Gumijas mēlišu komplekts, eļļizturīgas	1.000	ZSA	0000000000	0000000000		
24	6.273-253.0	Gumijas mēlišu komplekts, standarta	1.000	ZSA	0000000000	0000000000		
40	7.304-546.0	Hexagonal head screw M 8x12-A2-70 ISO 4	1.000	ST				
45	7.311-431.0	hexagon nut	3.000	ST				
30	7.311-224.0	Hexagon nut M 8-04-A2E ISO 4035	1.000	ST	0000000000	0000000000		
32	7.311-441.0	Hexagon nut M10-1.4305 ISO 10511	3.000	ST	0000000000	0000000000		
13	5.044-904.0	Holder suction bar long hole	1.000	ST	0000000000	0000000000		
21	5.515-346.0	Ies. rullītis iesūkšanas latai D120	2.000	ST			VERSION 2	BLACK
52	7.343-303.0	Locking ring 8-A2 DIN 6799	2.000	ST				

## 63 Suction bar

Professional \ Floor cleaner \ Walk behind \ BR 40/25 C Bp Pack \ Spare parts list BR/BD 40/25 C \ Suction mechanism \ Suction bar

**KÄRCHER**

POS	Preces Nr.	Apraksts	Skaits	Vienība	Sērijas numurs no	Sērijas numurs līdz	Piezīme	Zemsvītras piezīme
8	6.343-132.0	Lock washer 8	2.000	ST	0000000000	0000000000		
7	7.343-306.0	Lock washer 12-St-A2E DIN 6799	1.000	ST	0000000000	0000000000		
27	7.312-005.0	Paplāksne 10-200HV- A3E ISO 7090	2.000	ST	0000000000	0000000000		
49	5.332-504.0	Piespiedējatspere	2.000	ST				
38	5.001-987.0	Plate bracket	1.000	ST				
42	5.332-349.0	Pressure spring	1.000	ST				
25	6.321-185.0	Push button	1.000	ST	0000000000	0000000000		
36	5.034-735.0	Retaining bracket suction bar	1.000	ST				
53	6.435-401.0	Ritenis D54	2.000	ST				
14	5.058-987.0	Rocker suction bar	1.000	ST	0000000000	0000000000		
2	5.435-004.0	Roller D40	1.000	ST	0000000000	0000000000		
46	4.035-339.0	Roller suction bar	2.000	ST				
29	4.172-024.0	Rope complete	1.000	ST	0000000000	0000000000		
12	7.303-139.0	Saucer-head screw M6x20 -A2 DIN 603	1.000	ST	0000000000	0000000000		
51	7.306-185.0	Screw M5x 35-A2-70 (IN6RD)	2.000	ST				
34	7.306-221.0	Screw M 8x25-A2-70 DIN 7984	2.000	ST				
0	4.777-400.0	Siction bar straight	1.000	ST				VERSION 2 - 6 DRILLINGS
16	5.112-810.0	Sleeve	2.000	ST				
37	5.094-405.0	Spacer sleeve external	2.000	ST			VERSION 1	
20	5.094-404.0	Spacer sleeve inside	2.000	ST			VERSION 1	
3	5.112-865.0	Spacer sleeve suction bar right	1.000	ST	0000000000	0000000000		
26	7.343-205.0	Sprostpaplāksne 9-St- A2E DIN 6799	2.000	ST	0000000000	0000000000		
15	5.305-296.0	Spārnu skrūve M8 x 40 VA	2.000	ST				
19	6.321-243.0	Star grip stainless steel D50x48	2.000	ST			VERSION 1 - M8x48	BLACK
48	6.321-240.0	Star grip with inscription VA Ø50x43	2.000	ST				

## 63 Suction bar

Professional \ Floor cleaner \ Walk behind \ BR 40/25 C Bp Pack \ Spare parts list BR/BD 40/25 C \ Suction mechanism \ Suction bar



POS	Preces Nr.	Apraksts	Skaitis	Vienība	Sērijas numurs no	Sērijas numurs līdz	Piezīme	Zemsvītras piezīme
0	4.777-300.0	Suction bar 770AB oLR	1.000	ST	0000000000	0000000000		VERSION 1 - 4 DRILLINGS
23	5.100-559.0	Suction bar support plate	1.000	ST				
18	5.033-601.0	Suction nipple	1.000	ST				
19	6.321-239.0	Sēņveida rokturis A Ø 50x43	2.000	ST			VERSION 2 - M8x43	GREY
20	5.094-231.0	Uzmava iesūkšanas latai	2.000	ST			VERSION 2	
35	7.312-017.0	wascher	2.000	ST				
6	7.312-057.0	washer	4.000	ST	0000000000	0000000000		
11	7.312-292.0	Washer	1.000	ST	0000000000	0000000000		
33	7.312-066.0	Washer 10 -A2 ISO 7090	2.000	ST	0000000000	0000000000		
39	7.312-269.0	Washer 10-A2 ISO 7094	1.000	ST				
21	5.515-338.0	Wheel D121	2.000	ST	0000000000	0000000000	VERSION 1	GREY/YELLOW
10	6.310-180.0	wing nut	1.000	ST	0000000000	0000000000		
28	6.343-191.0	Ātrais savienotājs	1.000	ST	0000000000	0000000000		