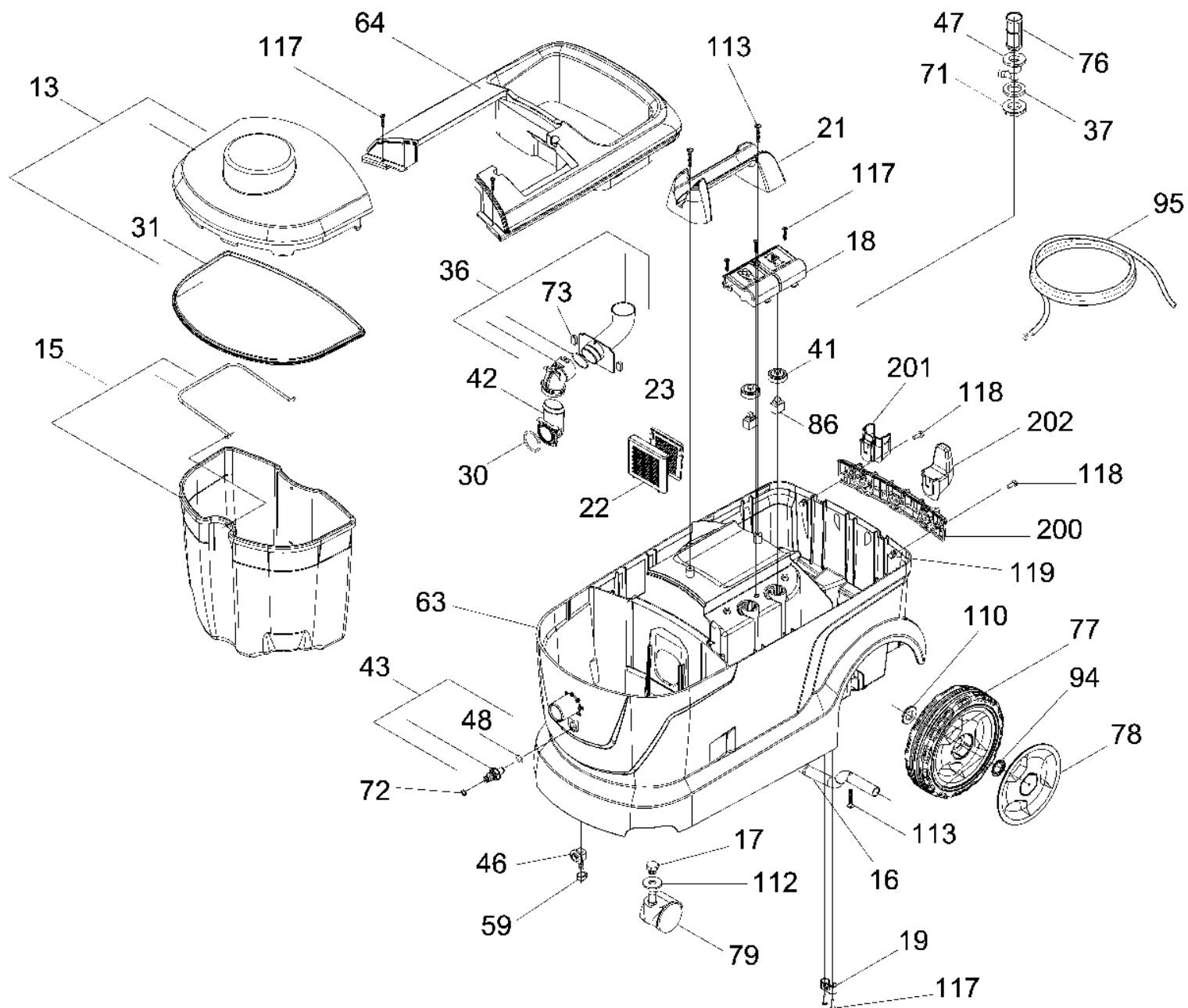


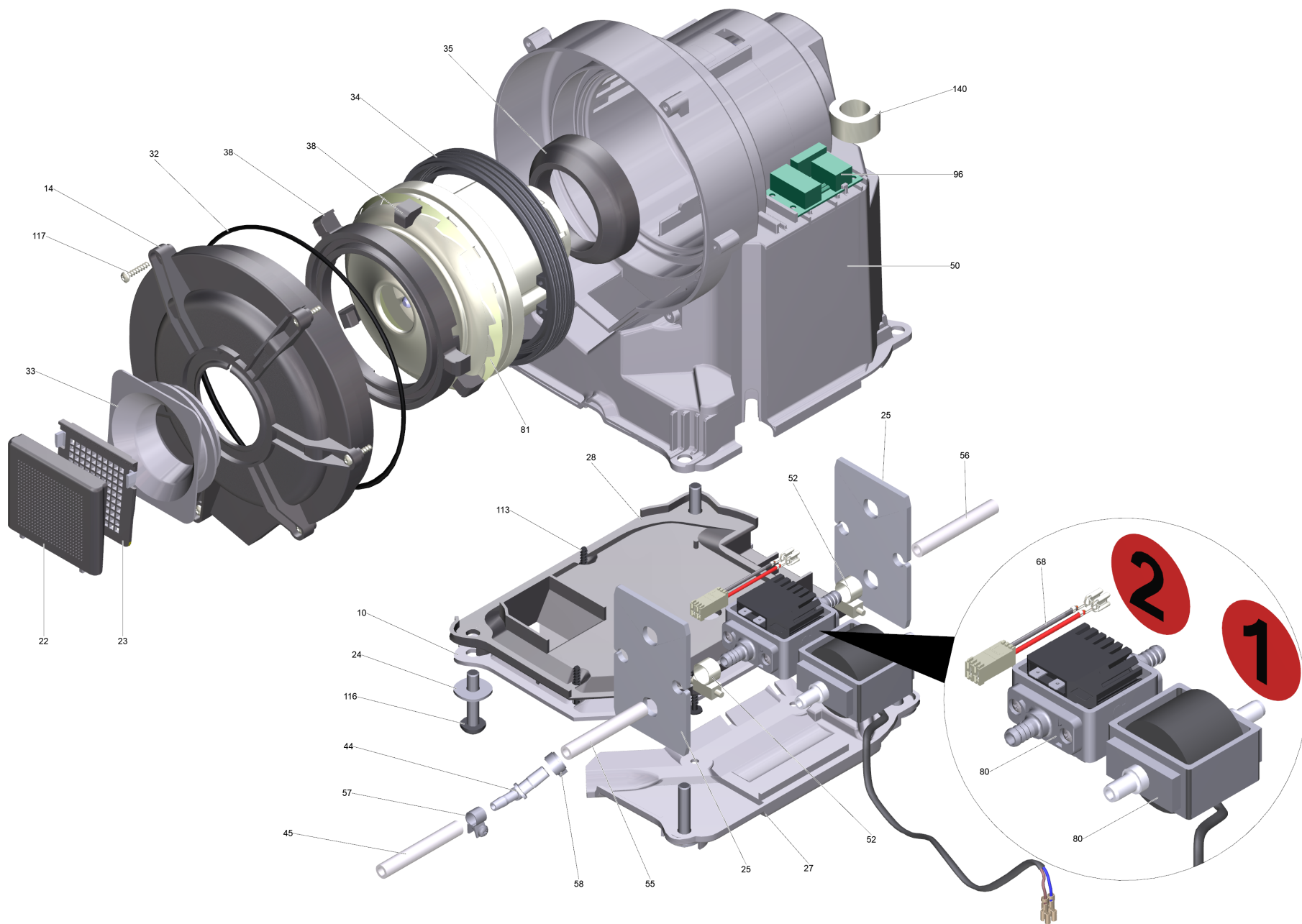
Spare parts list

(5.973-056.0) Spare parts list PUZZI 10/1 + Hand *EU

Table of contents

5 Spare parts list PUZZI 10/1 + Hand *EU (5.973-056.0)	3
43 Nipple complete (4.409-001.0)	8
80 Pump for replacement 230V-GOTEC (4.610-102.0)	10
80 Moto - pompe (6.473-376.0)	12
81 Blower motor for replacement 230V (4.605-180.0)	13
81 Vacuum motor complete -230V (4.610-046.0)	14
300 Accessories	15
2 Suction hose complete DN32 (6.394-826.0)	17
1 Hose coupling complete for replacement (4.446-023.0)	19
3 Hose coupling complete for replacement (4.446-023.0)	20
5 Metering unit antifoaming agent (4.006-907.0)	21
6 Upholstery nozzle complete packaged (4.130-001.0)	23
7 Set carpet nozzle complete 240mm (4.130-007.0)	25
1 Suction tube complete packaged (4.025-004.0)	27
2 Handhold pipe complete verpackt (4.321-001.0)	29
3 Carpet nozzle flexible 240mm verpackt (4.130-008.0)	31
8 Crevice nozzle complete packaged (4.130-010.0)	33
3 Spraying nozzle set (4.765-000.0)	35
13 Handhold complete packaged (4.130-000.0)	37
2 Valve complete (4.580-002.0)	39





5 Spare parts list PUZZI 10/1 + Hand *EU (5.973-056.0)

POS	Article no.	Description	Quantity	Unit	Foot note text
10	5.033-096.0	Covering cap large	1	PC	
13	4.063-628.0	Cover plate complete	1	PC	
14	5.063-747.0	Cover turbine	1	PC	
15	4.070-298.0	Tank complete only for replacement	1	PC	
16	5.105-252.0	Axle	1	PC	
17	5.110-659.0	Bush	2	PC	
18	4.324-056.0	Pushbutton complete RAL 1018	1	PC	
19	5.034-505.0	Retaining bracket cable	1	PC	
21	5.321-517.0	Handhold	1	PC	
22	5.734-089.0	Filter	1	PC	
23	5.734-087.0	Fluffing strainer	1	PC	
24	5.363-397.0	Joint ring	4	PC	
25	4.250-055.0	Bearing for replacement	1	PC	VERSION 2 / PLEASE TAKE MODEL OF PUMP
25	5.031-468.0	Bearing pump	2	PC	VERSION 1 / PLEASE TAKE MODEL OF PUMP
27	5.031-461.0	Covering cap small	1	PC	
28	5.364-233.0	Flat gasket	1	PC	
30	9.478-007.0	O-Ring seal Ø29,5x3 NBR 70	1	PC	
31	5.363-390.0	Seal cover	1	PC	
32	6.273-162.0	Cellular rubber	1	PC	
33	5.363-392.0	Seal	1	PC	
34	5.363-393.0	Seal	1	PC	VERSION 1 / PLEASE TAKE MODEL OF PUMP
34	5.363-472.0	Seal Puzzi 10	1	PC	VERSION 2 / PLEASE TAKE MODEL OF PUMP
35	5.363-286.0	Seal vac motor above	1	PC	VERSION 2 / PLEASE TAKE MODEL OF PUMP
35	5.363-395.0	Seal	1	PC	VERSION 1 / PLEASE TAKE MODEL OF PUMP
36	4.031-070.0	Elbow complete	1	PC	
37	5.363-108.0	Joint ring	1	PC	
38	5.363-471.0	Seal bearing Puzzi 10	1	PC	VERSION 2 / PLEASE TAKE MODEL OF PUMP
38	5.363-405.0	Seal	3	PC	VERSION 1 / PLEASE TAKE MODEL OF PUMP
41	5.394-461.0	Protection part	2	PC	
42	5.402-605.0	Connection piece aspiration	1	PC	
43	4.409-001.0	Nipple complete	1	PC	
44	5.409-261.0	Nipple	1	PC	
45	6.390-220.0	Hose DN 6,5	1	PC	

5 Spare parts list PUZZI 10/1 + Hand *EU (5.973-056.0)

POS	Article no.	Description	Quantity	Unit	Foot note text
46	5.443-437.0	Hose stem	1	PC	
47	5.443-246.0	Hose stem	1	PC	
48	6.362-797.0	O-Ring seal 9,0 X 2,0	1	PC	
50	5.605-290.0	Housing turbine	1	PC	VERSION 1 / PLEASE TAKE MODEL OF PUMP
50	4.605-178.0	Housing turbine for replacement	1	PC	VERSION 2 / PLEASE TAKE MODEL OF PUMP
52	6.388-683.0	Hose clip - 14/ 9	2	PC	
55	5.442-924.0	Piece of tube	1	PC	
56	5.442-722.0	Piece of tube	1	PC	
57	6.388-555.0	Hose clip 9,0mm	1	PC	
58	6.388-701.0	Hose clip with insert 13,3	1	PC	
59	6.389-992.0	Hose clip	1	PC	
63	4.071-010.0	Tank replacement RAL 7012 Puzzi 10/1	1	PC	
64	5.013-082.0	Funnel	1	PC	
68	6.651-768.0	Cable pump electronics	1	PC	VERSION 2 / PLEASE TAKE MODEL OF PUMP
71	6.310-004.0	Hexagon nut G 1/2"	1	PC	
72	2.889-246.0	O-Ring seal set 6,75X 1,78	1	PC	
73	6.373-081.0	U-Fastening 4,5-5mm	2	PC	
76	6.414-027.0	Filter	1	PC	
77	5.515-377.0	Wheel	2	PC	
78	5.515-386.0	Wheel cap large RAL 7012	2	PC	
79	6.435-039.0	Castor	2	PC	
80	4.610-102.0	Pump for replacement 230V-GOTEC	1	PC	VERSION 2 / PLEASE TAKE MODEL OF PUMP
80	6.473-376.0	Moto - pompe	1	PC	VERSION 1 / PLEASE TAKE MODEL OF PUMP
81	4.605-180.0	Blower motor for replacement 230V	1	PC	VERSION 2 / PLEASE TAKE MODEL OF PUMP
81	4.610-046.0	Vacuum motor complete -230V	1	PC	VERSION 1 / PLEASE TAKE MODEL OF PUMP
86	6.630-032.0	Switch	2	PC	
94	6.343-168.0	Lock washer	2	PC	
95	6.650-363.0	Power cable Puzzi 10/1 *EU	1	PC	
96	6.682-391.0	Circuit board	1	PC	
110	7.312-057.0	Washer 16 -A2 ISO 7089	2	PC	
112	7.312-285.0	Washer 10 -200HV-A2E ISO7093-1	2	PC	
113	7.303-086.0	Screw 5x30 -10.9-R2R (K-In6Rd)	8	PC	
116	6.303-285.0	Screw M 8x 40	4	PC	

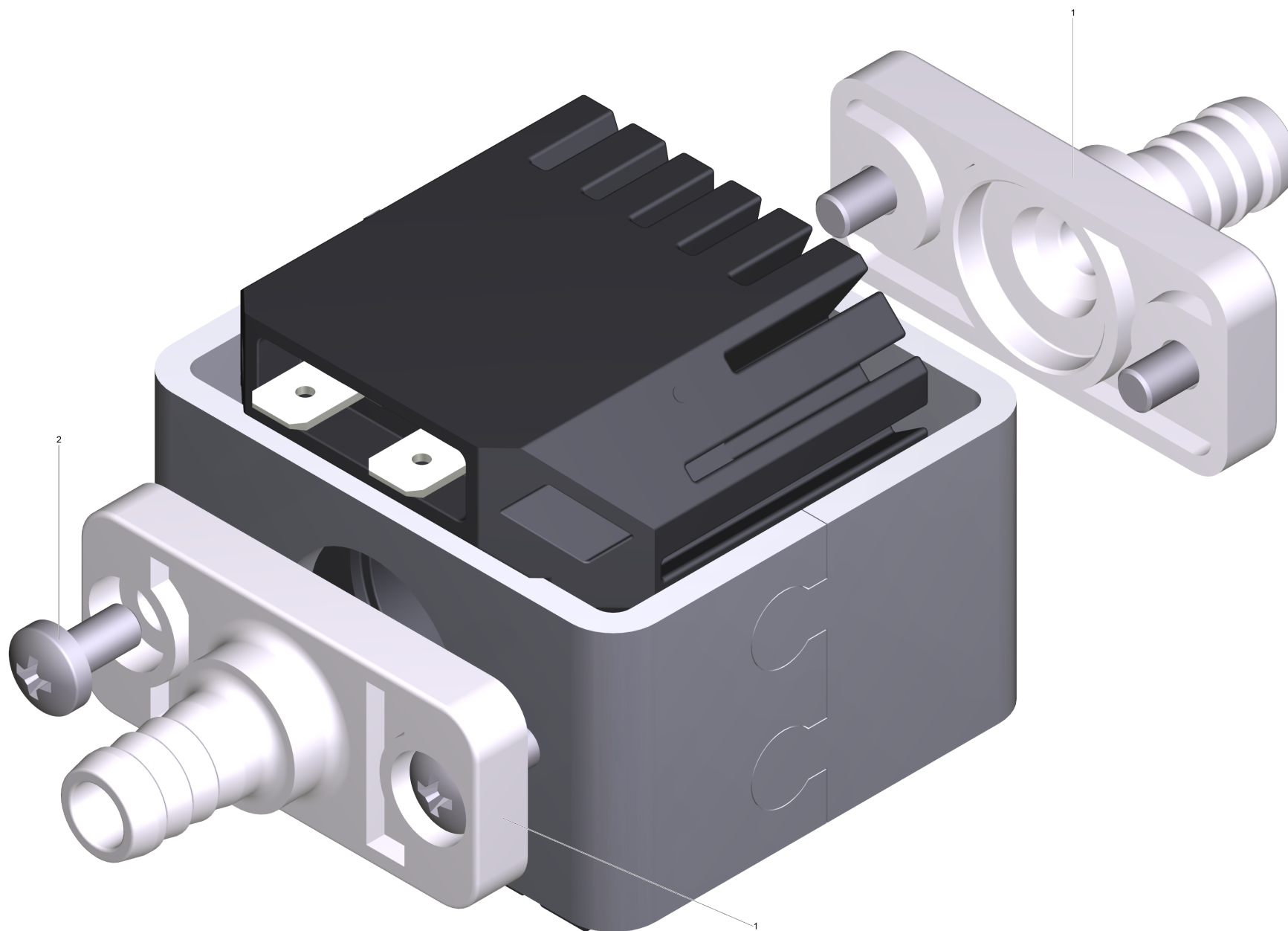
5 Spare parts list PUZZI 10/1 + Hand *EU (5.973-056.0)

POS	Article no.	Description	Quantity	Unit	Foot note text
117	7.303-084.0	Screw 4x25 -10.9-R2R (K-In6Rd)	13	PC	
118	7.306-217.0	Screw M5x14 -8.8-R2R (In6Rd)	2	PC	
119	7.311-385.0	Cap nut M 5-A1-50 DIN 1587	2	PC	
140	6.614-006.0	Ferrite ring	1	PC	
200	5.033-989.0	Holder accessories Puzzi 10/1, Puzzi 10/	1	PC	
201	5.033-990.0	Clip Puzzi 10/1, Puzzi 10/2	1	PC	
202	5.037-360.0	Hook Puzzi Home Base	1	PC	
300		Accessories	1	PC	
9000	2.882-053.0	Conversion kit pump vacuum motor *EU	1	PC	



43 Nipple complete (4.409-001.0)

POS	Article no.	Description	Quantity	Unit
52	2.889-246.0	O-Ring seal set 6,75X 1,78	1	PC
54	6.362-797.0	O-Ring seal 9,0 X 2,0	1	PC



80 Pump for replacement 230V-GOTEC (4.610-102.0)

POS	Article no.	Description	Quantity	Unit
1	5.443-439.0	Hose stem D9,5	2	PC
2	7.306-236.0	Screw M4x6 -8.8 (In6Rd)	4	PC

80 Moto - pompe (6.473-376.0)

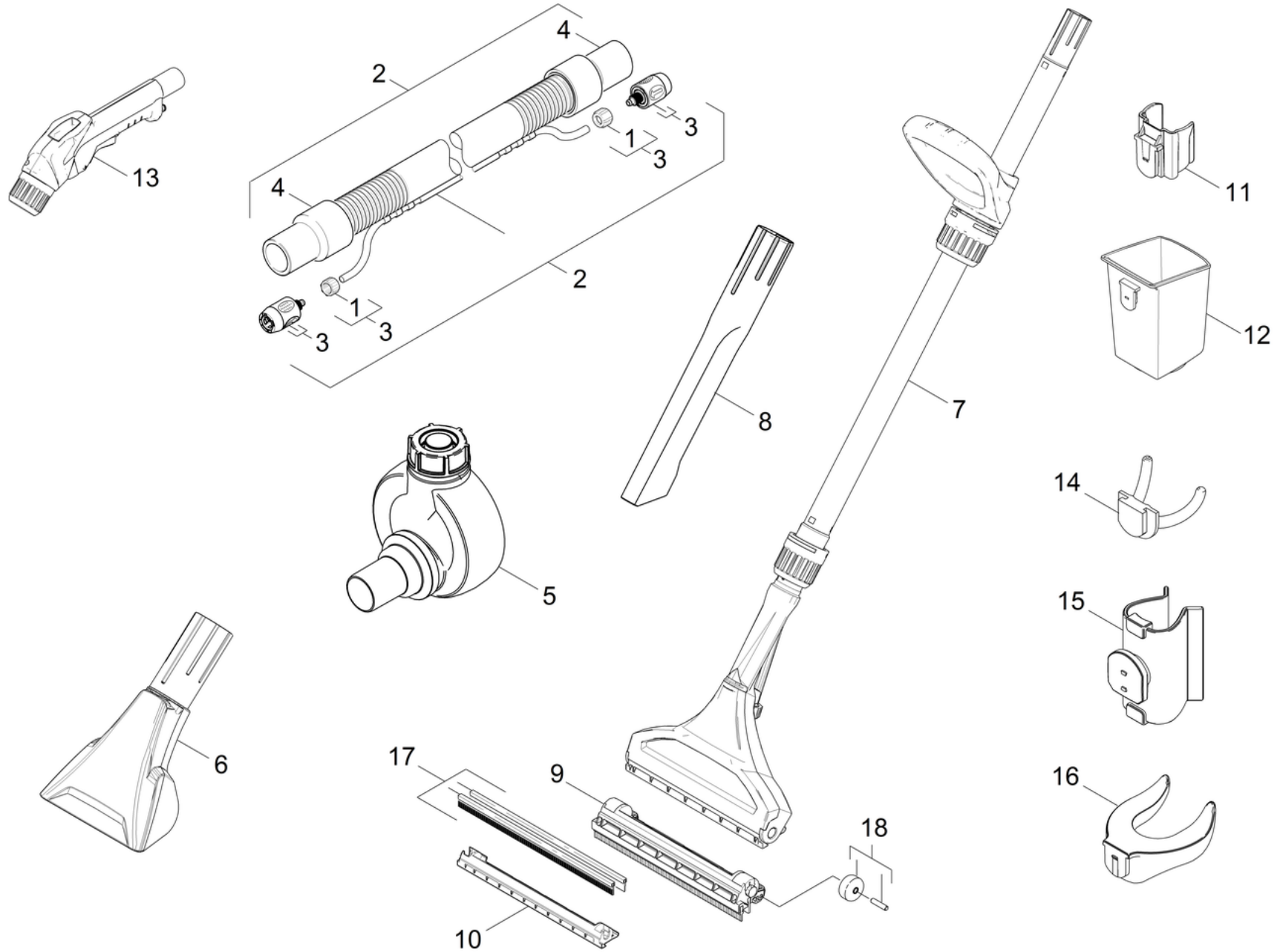
POS	Article no.	Description	Quantity	Unit
1	5.443-439.0	Hose stem D9,5	2	PC
2	7.306-236.0	Screw M4x6 -8.8 (In6Rd)	4	PC

81 Blower motor for replacement 230V (4.605-180.0)

POS	Description	Quantity	Unit
2	Cable set turbine *EU	1	PC

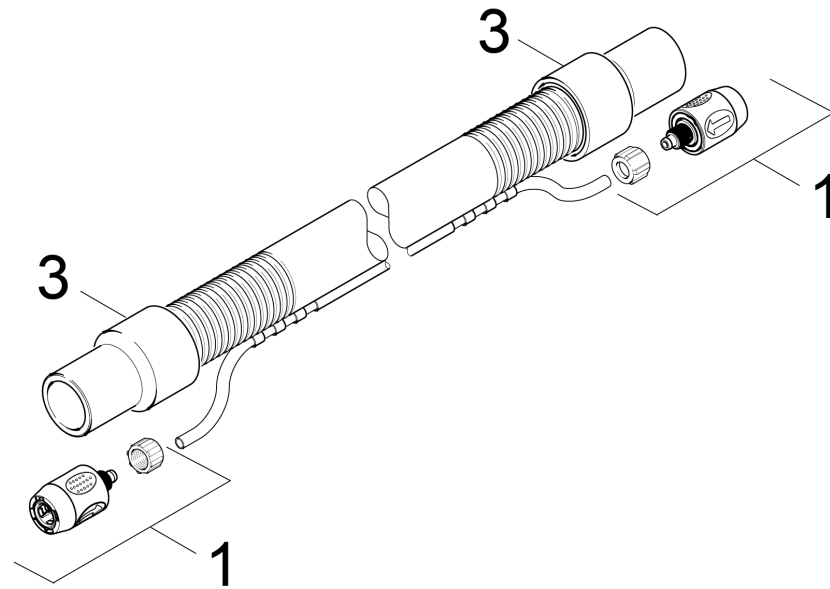
81 Vacuum motor complete -230V (4.610-046.0)

POS	Article no.	Description	Quantity	Unit	Foot note text
1	5.363-393.0	Seal	1	PC	VERSION 1 / PLEASE TAKE MODEL OF PUMP
	Item text2: 46100460				



300 Accessories

POS	Article no.	Description	Quantity	Unit
1	6.394-827.0	Union nut yellow M 12x1	2	PC
2	6.394-375.0	Suction hose Ø32, 4,0m	1	PC
2	6.394-826.0	Suction hose complete DN32	1	PC
3	4.446-023.0	Hose coupling complete for replacement	2	PC
4	6.906-713.0	Sleeve DN32	2	PC
5	4.006-907.0	Metering unit antifoaming agent	1	PC
6	4.130-001.0	Upholstery nozzle complete packaged	1	PC
7	4.130-007.0	Set carpet nozzle complete 240mm	1	PC
8	4.130-010.0	Crevice nozzle complete packaged	1	PC
9	4.762-014.0	Hard surface adapter 240mm	1	PC
10	4.777-005.0	Vacuum bar complete 240mm	1	PC
11	5.033-990.0	Clip Puzzi 10/1, Puzzi 10/2	1	PC
12	4.070-006.0	Tank cleaning agents complete	1	PC
13	4.130-000.0	Handhold complete packaged	1	PC
14	6.980-077.0	Double hook	1	PC
15	6.980-078.0	Holder handhold grey	1	PC
16	6.980-080.0	Holder bottle	1	PC
17	4.070-089.0	Set rubber lip brush strip 240mm	1	PC
18	4.515-342.0	Roller complete with axle	1	PC



2 Suction hose complete DN32 (6.394-826.0)

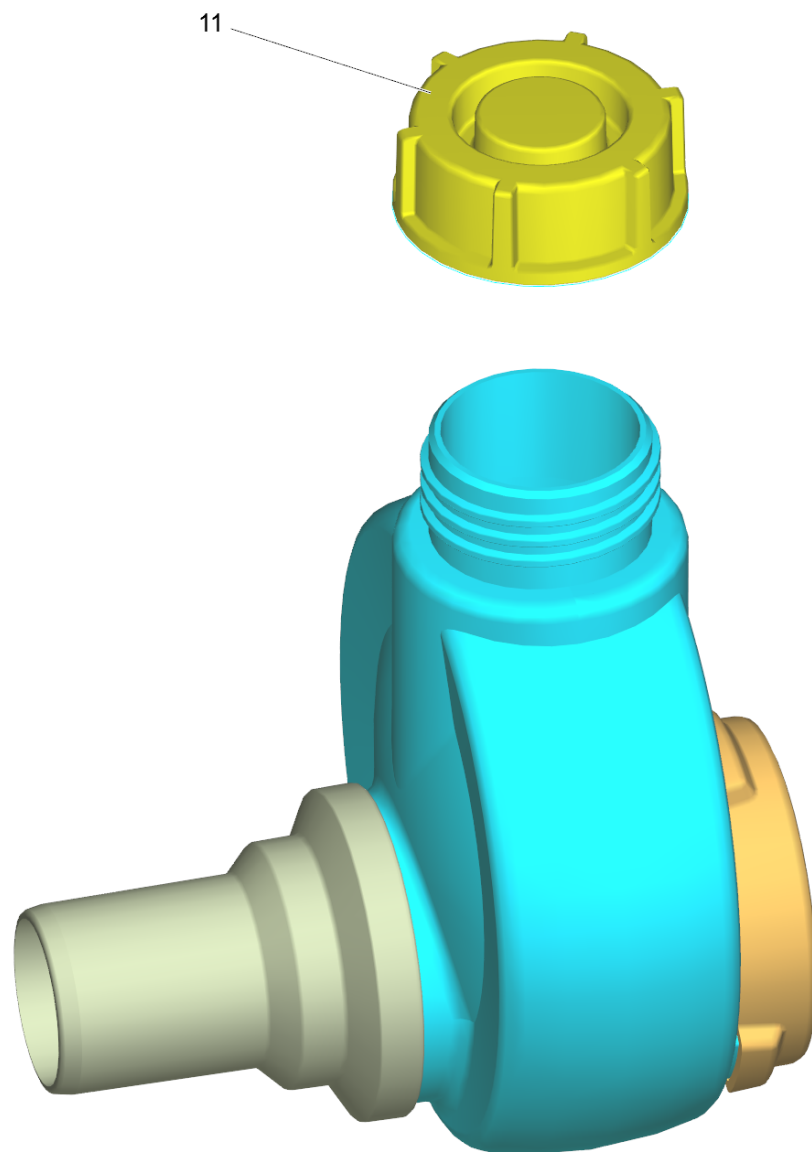
POS	Article no.	Description	Quantity	Unit
1	4.446-023.0	Hose coupling complete for replacement	2	PC
3	6.906-713.0	Sleeve DN32	2	PC

1 Hose coupling complete for replacement (4.446-023.0)

POS	Article no.	Description	Quantity	Unit
2	6.394-827.0	Union nut yellow M 12x1	1	PC

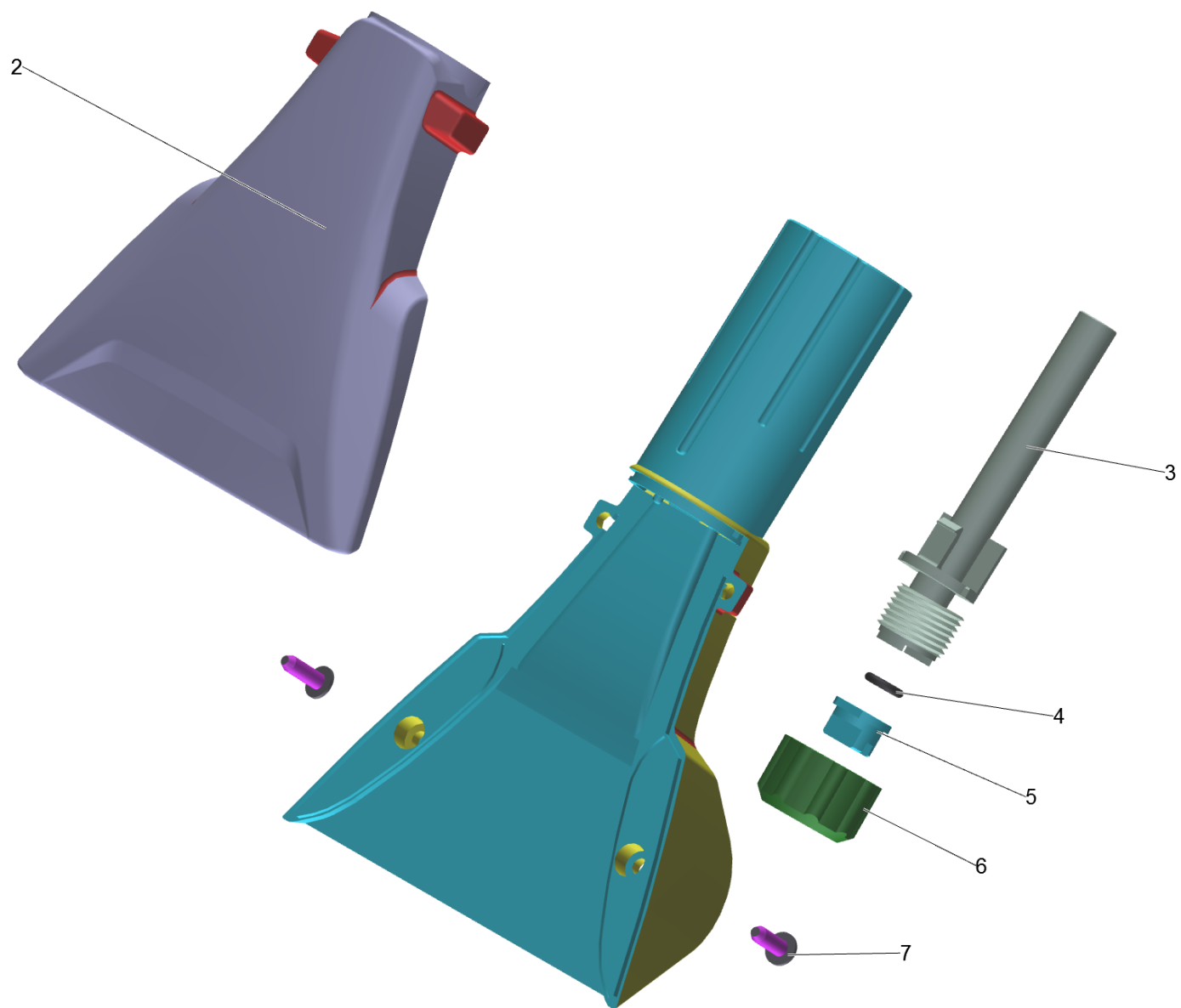
3 Hose coupling complete for replacement (4.446-023.0)

POS	Article no.	Description	Quantity	Unit
2	6.394-827.0	Union nut yellow M 12x1	1	PC



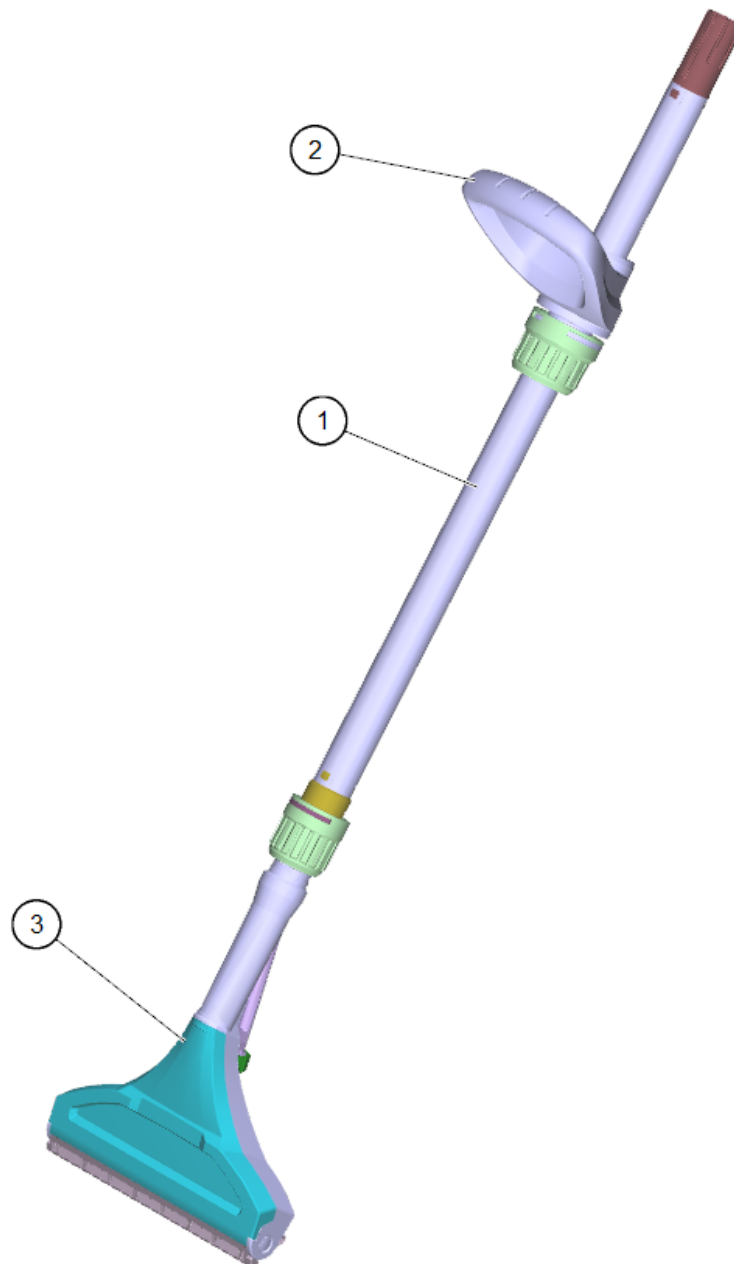
5 Metering unit antifoaming agent (4.006-907.0)

POS	Article no.	Description	Quantity	Unit
11	6.394-106.0	Screw cap	1	PC



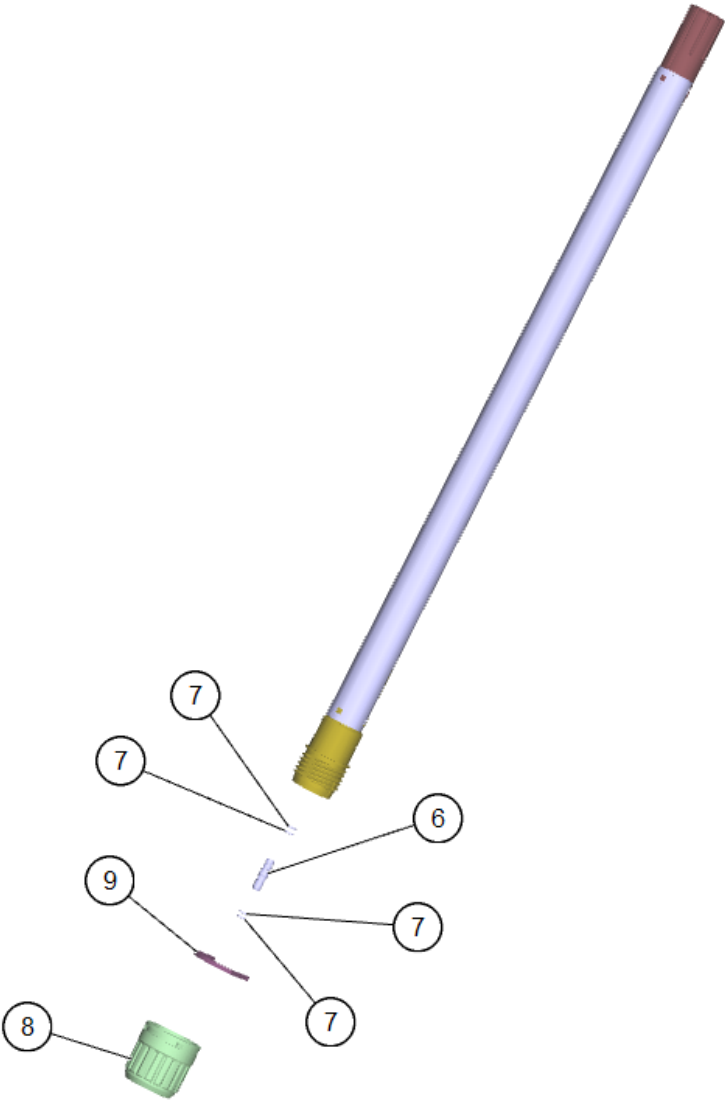
6 Upholstery nozzle complete packaged (4.130-001.0)

POS	Article no.	Description	Quantity	Unit
2	5.130-020.0	Upholstery nozzle top part	1	PC
3	5.401-007.0	Nozzle holder	1	PC
4	6.362-113.0	O-Ring seal 6,0 x 2,0 NBR 70	1	PC
5	6.415-928.0	Nozzle mouthpiece blue	1	PC
6	5.310-043.0	Nut	1	PC
7	7.303-116.0	Screw 4x12-A2-70 (IN6RD)	4	PC



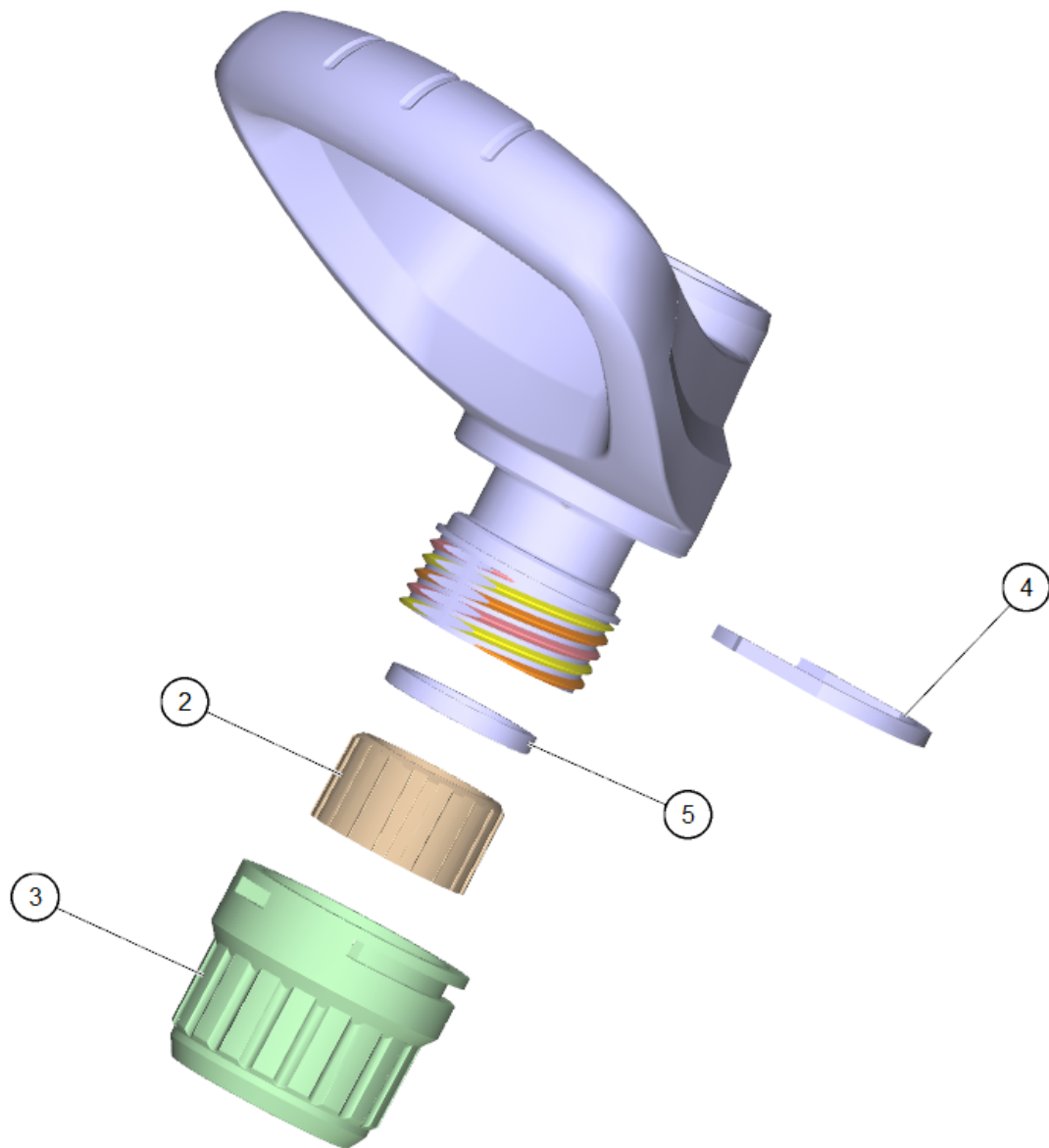
7 Set carpet nozzle complete 240mm (4.130-007.0)

POS	Article no.	Description	Quantity	Unit
1	4.025-004.0	Suction tube complete packaged	1	PC
2	4.321-001.0	Handhold pipe complete verpackt	1	PC
3	4.130-008.0	Carpet nozzle flexible 240mm verpackt	1	PC



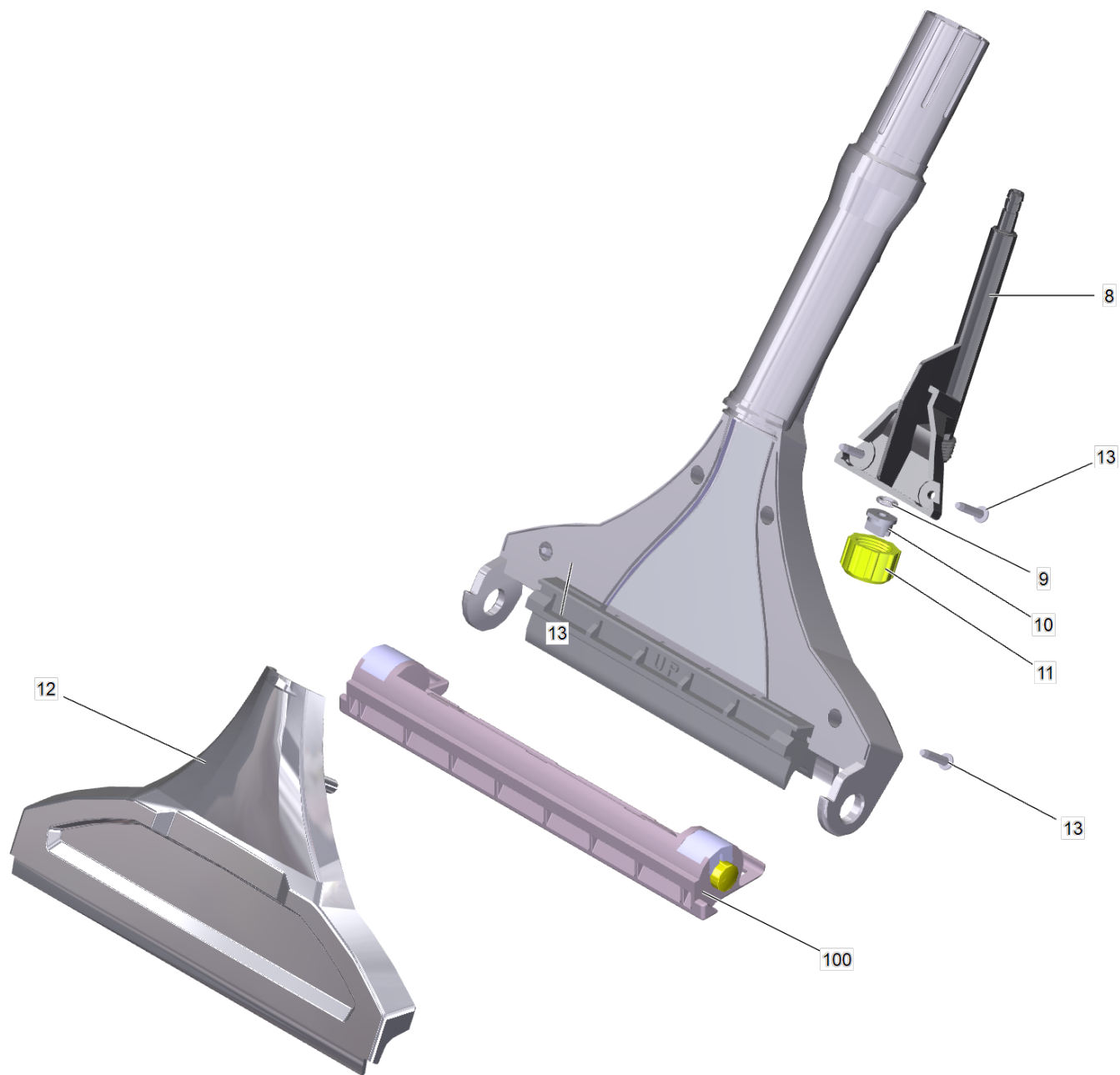
1 Suction tube complete packaged (4.025-004.0)

POS	Article no.	Description	Quantity	Unit
6	5.127-021.0	Extension	1	PC
7	6.363-574.0	O-Ring seal 6x1,2 - NBR 80	4	PC
8	5.310-000.0	Union nut	1	PC
9	5.031-029.0	Tension ring	1	PC



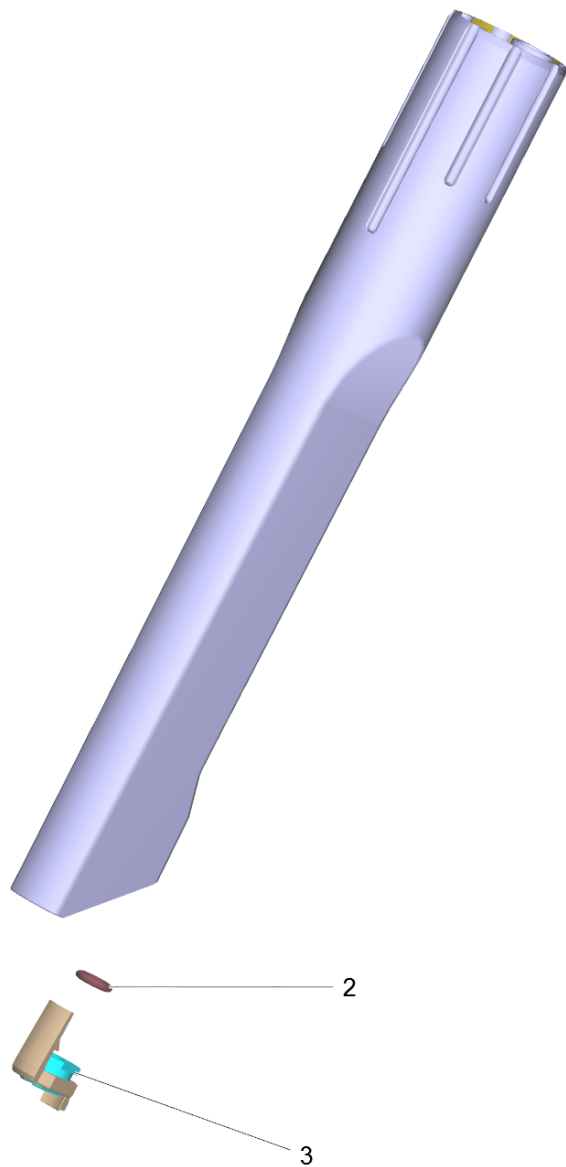
2 Handhold pipe complete verpackt (4.321-001.0)

POS	Article no.	Description	Quantity	Unit
2	5.401-005.0	Insert rubber	1	PC
3	5.310-002.0	Union nut handhold	1	PC
4	5.037-019.0	Clip hand grip	1	PC
5	5.114-003.0	Spacer ring	1	PC



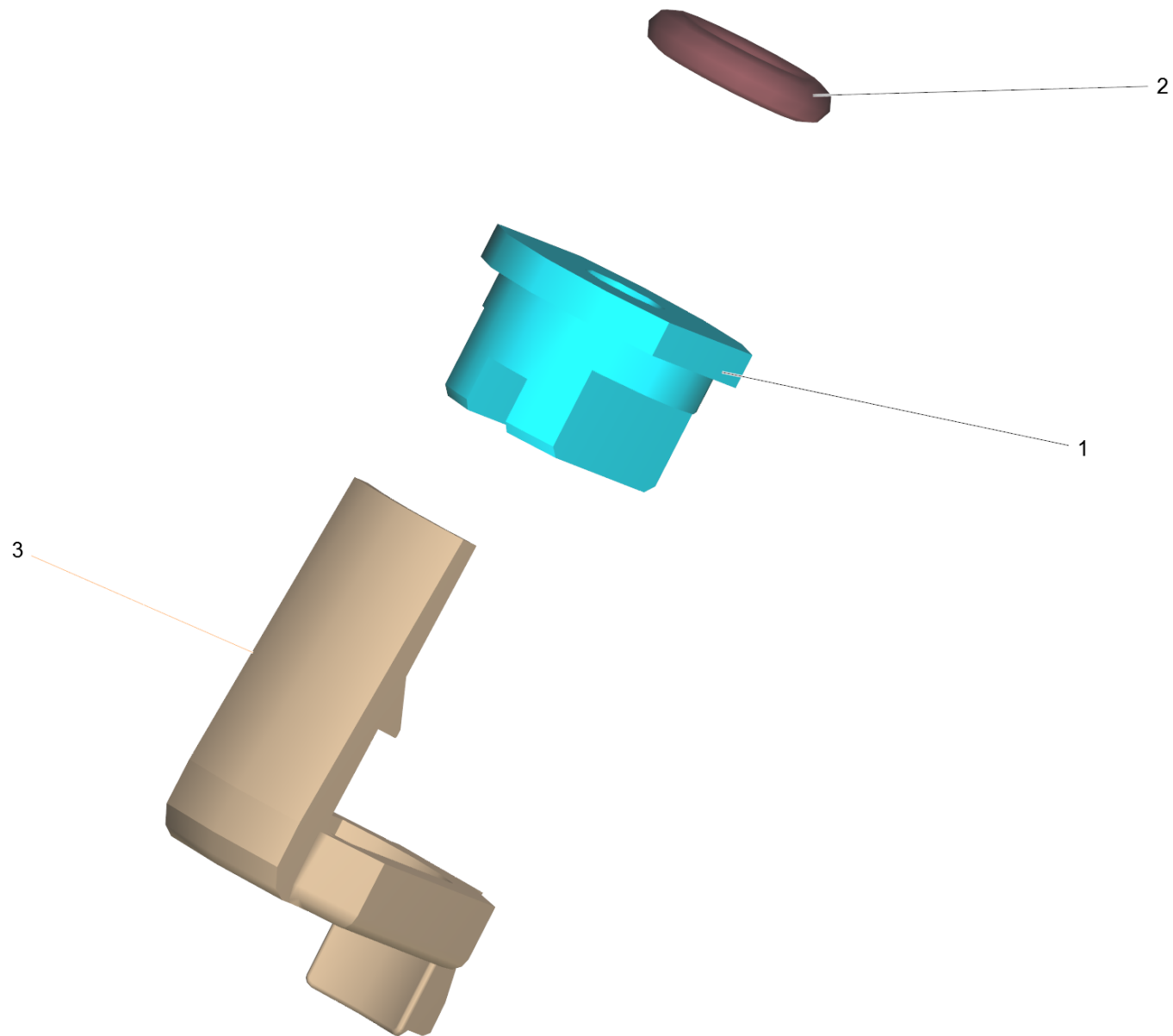
3 Carpet nozzle flexible 240mm verpackt (4.130-008.0)

POS	Article no.	Description	Quantity	Unit
8	4.764-007.0	Nozzle holder complete	1	PC
9	6.362-113.0	O-Ring seal 6,0 x 2,0 NBR 70	1	PC
10	6.415-165.0	Nozzle mouthpiece 95G06	1	PC
11	5.310-043.0	Nut	1	PC
12	5.777-016.0	Carpet nozzle covering cap 240mm	1	PC
13	7.303-117.0	Screw 4x20 -A2-70 (In6Rd)	4	PC
100	4.777-005.0	Vacuum bar complete 240mm	1	PC



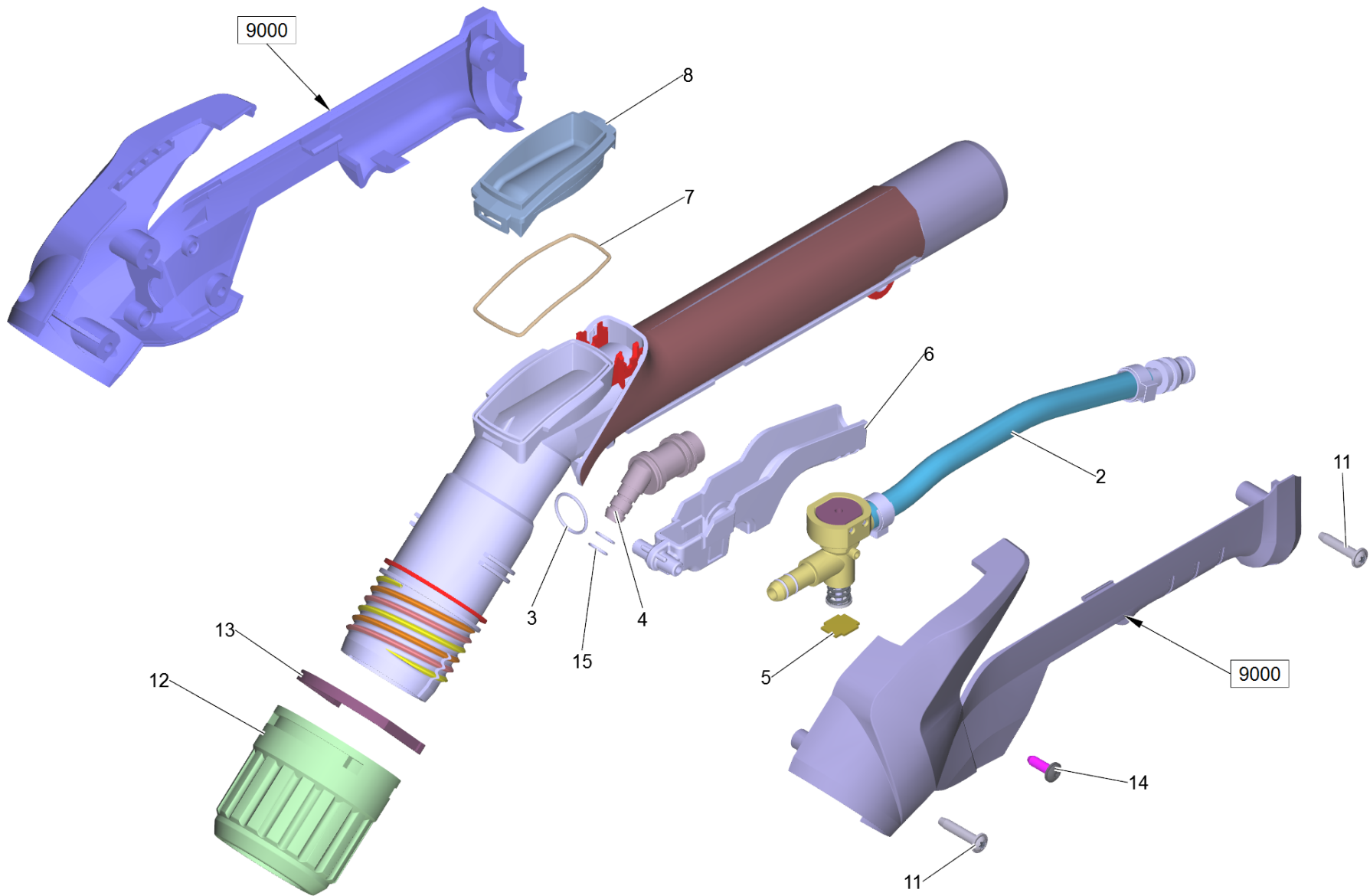
8 Crevice nozzle complete packaged (4.130-010.0)

POS	Article no.	Description	Quantity	Unit
2	6.363-242.0	O-Ring seal 6x2,2 EPDM 80 SH	1	PC
3	4.765-000.0	Spraying nozzle set	1	PC



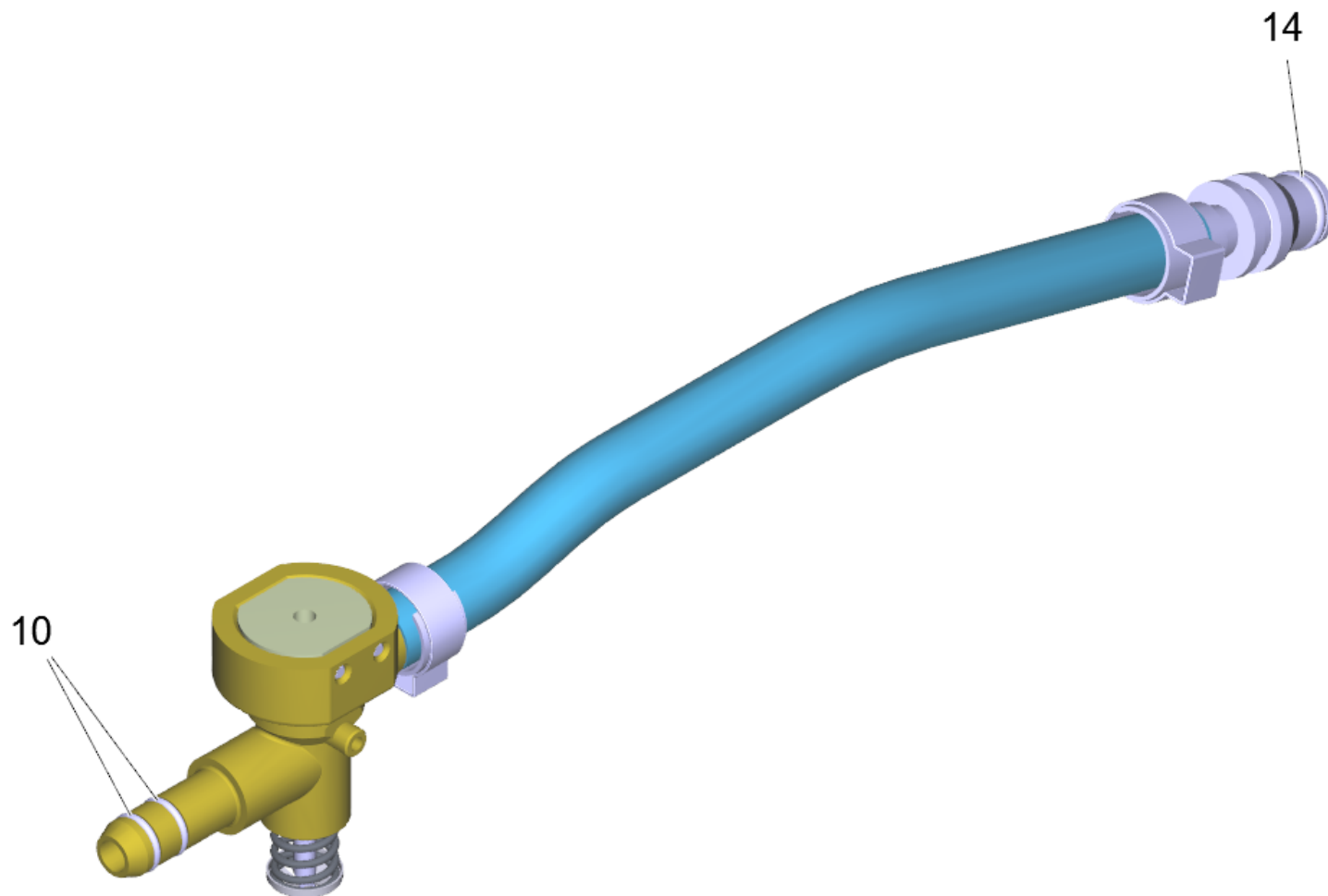
3 Spraying nozzle set (4.765-000.0)

POS	Article no.	Description	Quantity	Unit
1	6.415-928.0	Nozzle mouthpiece blue	1	PC
2	6.363-242.0	O-Ring seal 6x2,2 EPDM 80 SH	1	PC
3	5.032-026.0	Clip crevice nozzle	1	PC



13 Handhold complete packaged (4.130-000.0)

POS	Article no.	Description	Quantity	Unit
2	4.580-002.0	Valve complete	1	PC
3	6.362-402.0	O-Ring seal 11,0 X 1,3-NBR 70	1	PC
4	5.453-000.0	Connecting sleeve	1	PC
5	5.007-162.0	Plate	1	PC
6	5.324-000.0	Pushbutton	1	PC
7	9.439-099.0	Seal vision panel	1	PC
8	5.384-002.0	Inspection glass	1	PC
11	7.303-117.0	Screw 4x20 -A2-70 (In6Rd)	4	PC
12	5.310-000.0	Union nut	1	PC
13	5.031-029.0	Tension ring	1	PC
14	7.303-116.0	Screw 4x12-A2-70 (IN6RD)	1	PC
15	6.362-472.0	O-Ring seal 6,0 X 1,0-NBR 70	2	PC
9000	4.321-038.0	Handhold few	1	PC



2 Valve complete (4.580-002.0)

POS	Article no.	Description	Quantity	Unit
10	6.363-574.0	O-Ring seal 6x1,2 - NBR 80	2	PC
14	6.362-923.0	O-Ring seal 6,75X 1,78	1	PC