

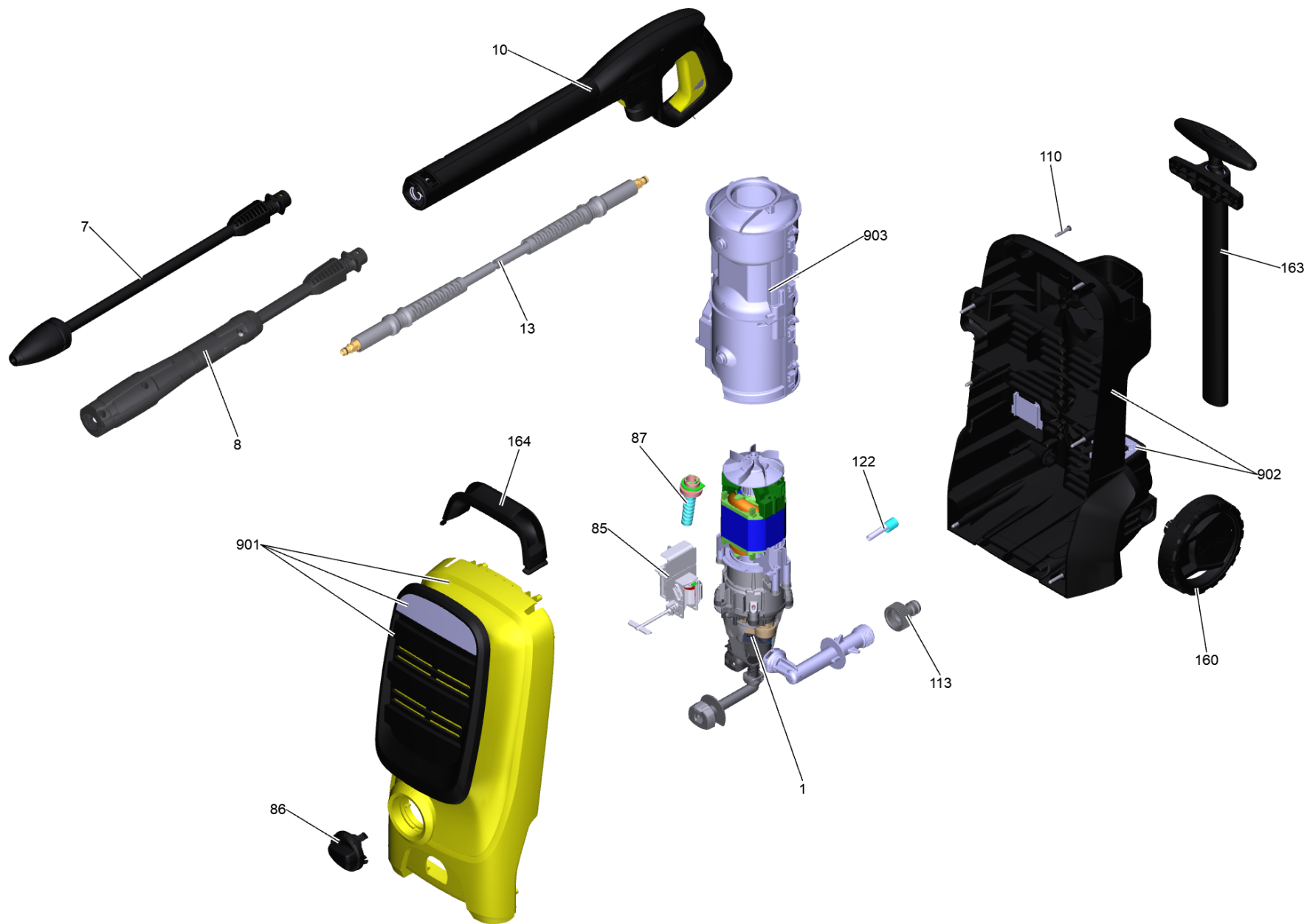
## **Spare parts list**

(1.679-400.0) K 4 Compact UM \*EU

## Table of contents

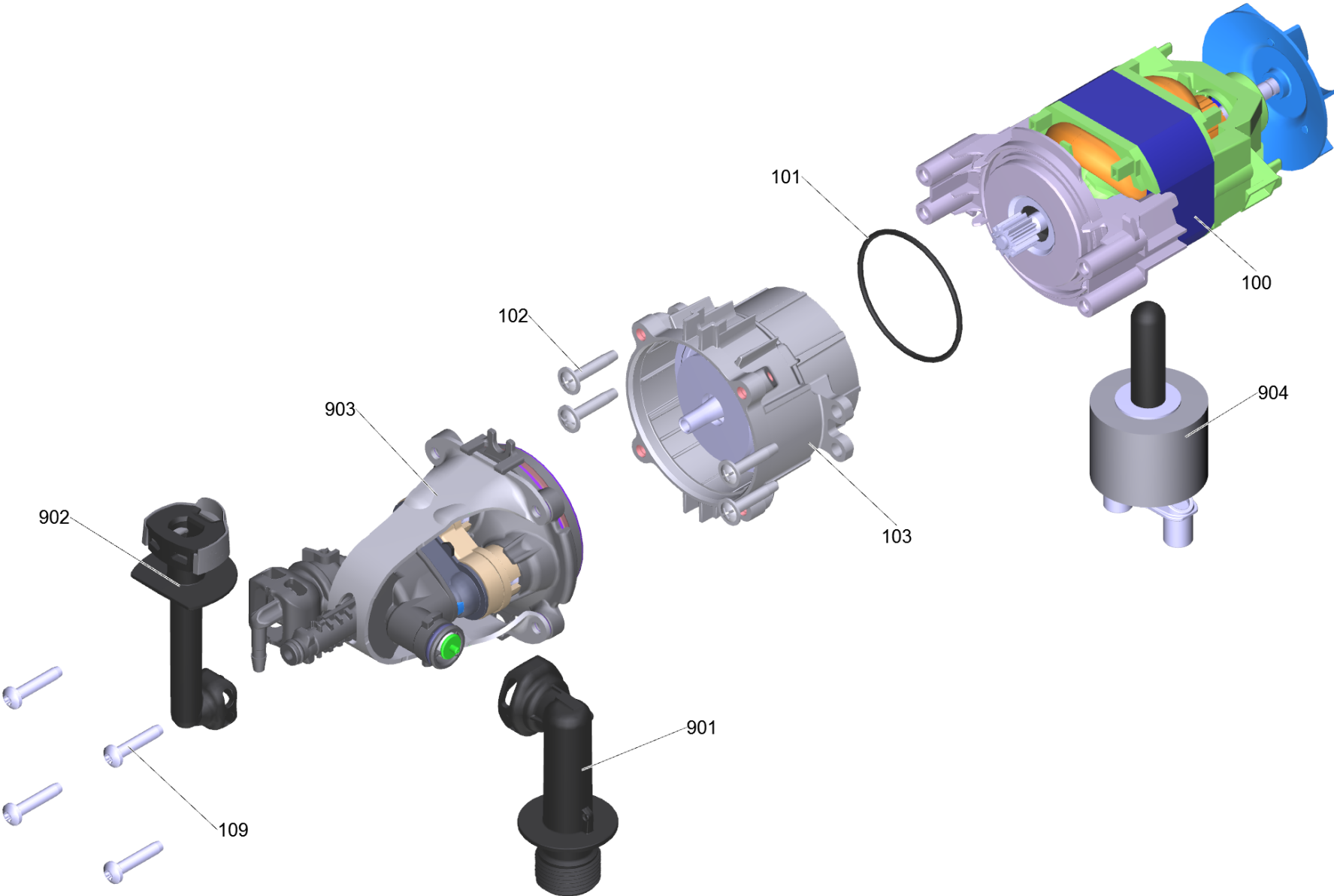
---

K 4 Compact UM *EU (1.679-400.0)	3
1 Pump set RVu K4 Comp*EU (1,15kW-QC)INA	5
103 Gear complete 6°12'4,02 RV upr. (INA)	7
901 Spare part set planet wheel (4.100-662.0)	9
901 Suction cover long with fine filter upr. (4.064-068.3)	11
902 High-pressure outlet with clamp for repl (4.064-047.0)	13
903 Cylinder head for replacement (250) RV (4.551-251.0)	15
Cylinder head RV (247+Stk/NC-90°/SV b.)	17
40 Cylinder head RV K2 *	19
45 Spare parts set control piston with nipp (2.885-397.0)	21
43 Thrust guidance complete quadruple	23
7 Dirt blaster middle 0225 St (4.764-333.3)	25
8 VPS middle 021 K (4.760-518.3)	27
10 G 180 Q Trigger gun Quick Connect (2.642-889.0)	29
13 H 9 Q high pressure hose Quick Connect (2.641-721.0)	31
85 Switch complete RV 470nF f. K4 Comp. *EU	33
122 Filter with hose RM 0,50 *	35



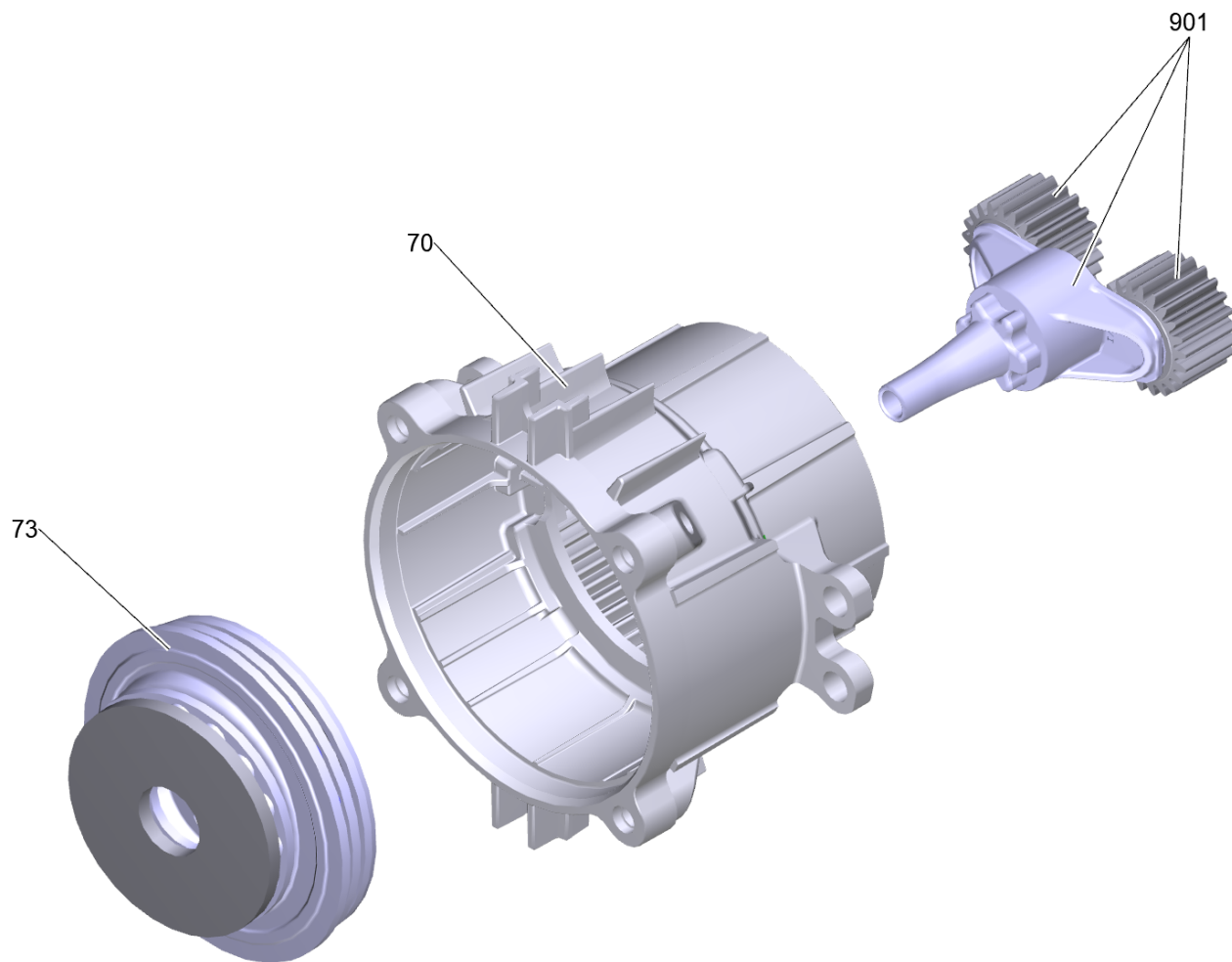
K 4 Compact UM \*EU (1.679-400.0)

POS	Article no.	Description	Quantity	Unit
1		Pump set RVu K4 Comp*EU (1,15kW-QC)INA	1	PC
7	4.764-333.3	Dirt blaster middle 0225 St	1	PC
8	4.760-518.3	VPS middle 021 K	1	PC
10	2.642-889.0	G 180 Q Trigger gun Quick Connect	1	PC
13	2.641-721.0	H 9 Q high pressure hose Quick Connect	1	PC
85		Switch complete RV 470nF f. K4 Comp. *EU	1	PC
86	5.322-039.0	Handhold switch Modul Range	1	PC
87	6.651-827.3	Cable with plug *EU (2x1 +FR/295) -	1	PC
104	5.387-620.0	Warning sticker-Prevent from freezing	1	PC
110	9.086-221.0	Screw ATF 4.1x22	7	PC
113	6.465-031.0	Connection 3/4	1	PC
122		Filter with hose RM 0,50 *	1	PC
160	5.515-357.0	Wheel D120 K2 Modul-Range	2	PC
163	4.322-065.3	Handhold telescope with holder	1	PC
164	5.322-460.3	Handhold K4 Compact	1	PC
901	4.100-847.0	Housing cpl. K4 Compact	1	PC
902	4.100-848.0	Housing rear cpl.	1	PC
903	4.067-071.0	Motor housing set replacement K2 RV	1	PC



1 Pump set RVu K4 Comp\*EU (1,15kW-QC)INA

POS	Article no.	Description	Quantity	Unit
100	4.100-720.0	Motor only for replacement 1,15kW *EU	1	PC
101	6.363-657.0	O-Ring seal 50x2.35 NBR 70	1	PC
102	6.303-260.0	Screw 5x26,4	4	PC
103		Gear complete 6°12'4,02 RV upr. (INA)	1	PC
109	6.303-519.0	Screw M5x25-10.9-A2E (IN6RD/T25)	4	PC
901	4.064-068.3	Suction cover long with fine filter upr.	1	PC
902	4.064-047.0	High-pressure outlet with clamp for repl	1	PC
903	4.551-251.0	Cylinder head for replacement (250) RV	1	PC
904	2.100-023.0	Special tool motor K2	1	PC
	<b>Item text1:</b> Pay attention to Assembly instruction!			
	<b>Item text2:</b> Montageanleitung beachten!			

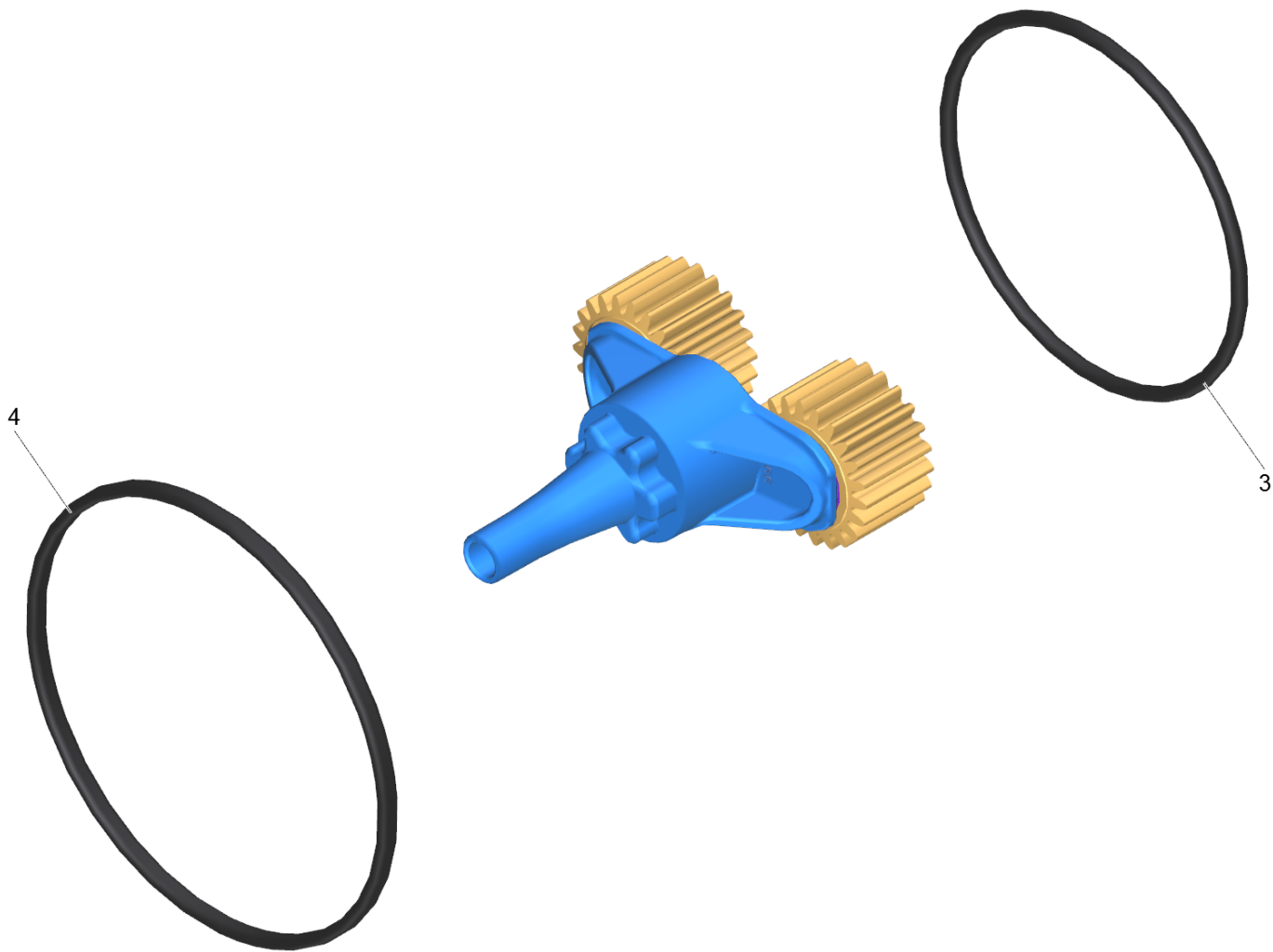


103 Gear complete 6°12'/4,02 RV upr. (INA)

---

<b>POS</b>	<b>Article no.</b>	<b>Description</b>	<b>Quantity</b>	<b>Unit</b>
70	5.062-124.3	Housing gear RV	1	PC
73	4.120-278.3	Wobble plate cpl. lift 4,02(37) 6°12' ex	1	PC
901	4.100-662.0	Spare part set planet wheel	1	PC

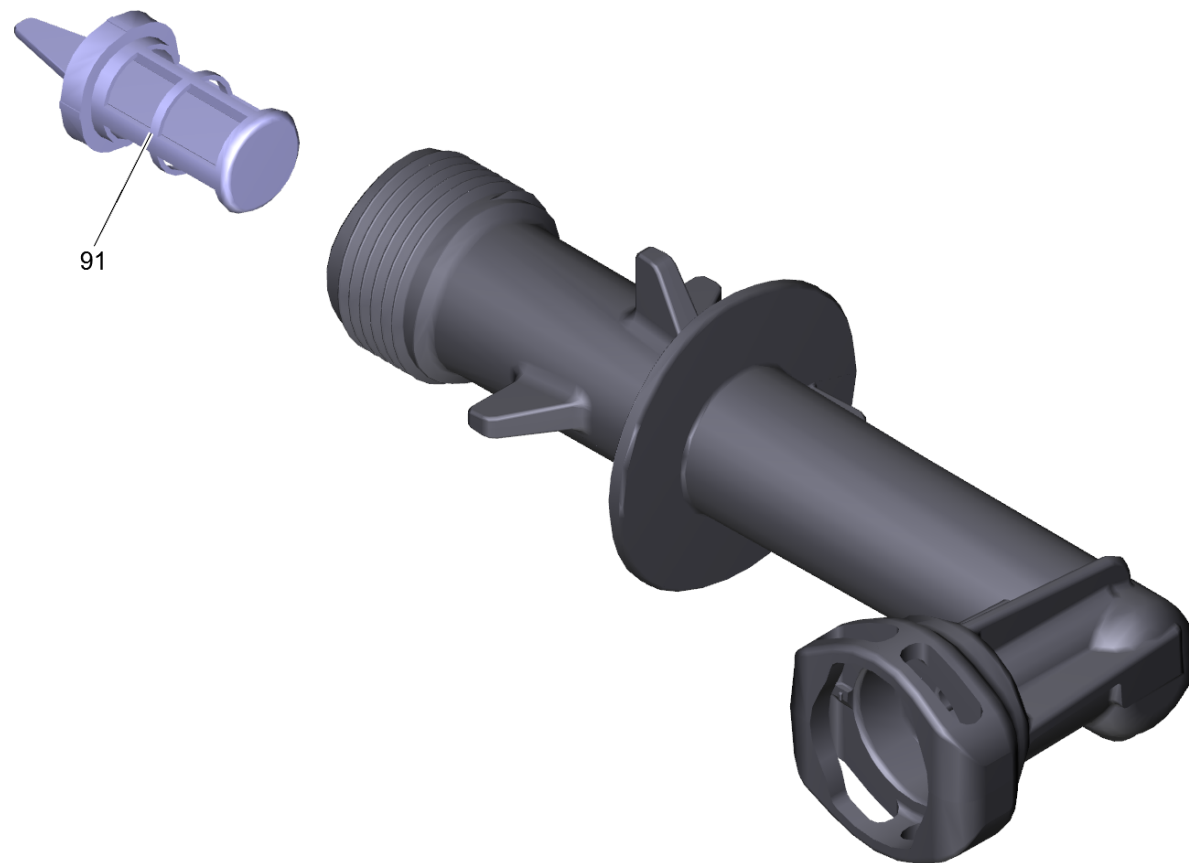




901 Spare part set planet wheel (4.100-662.0)

---

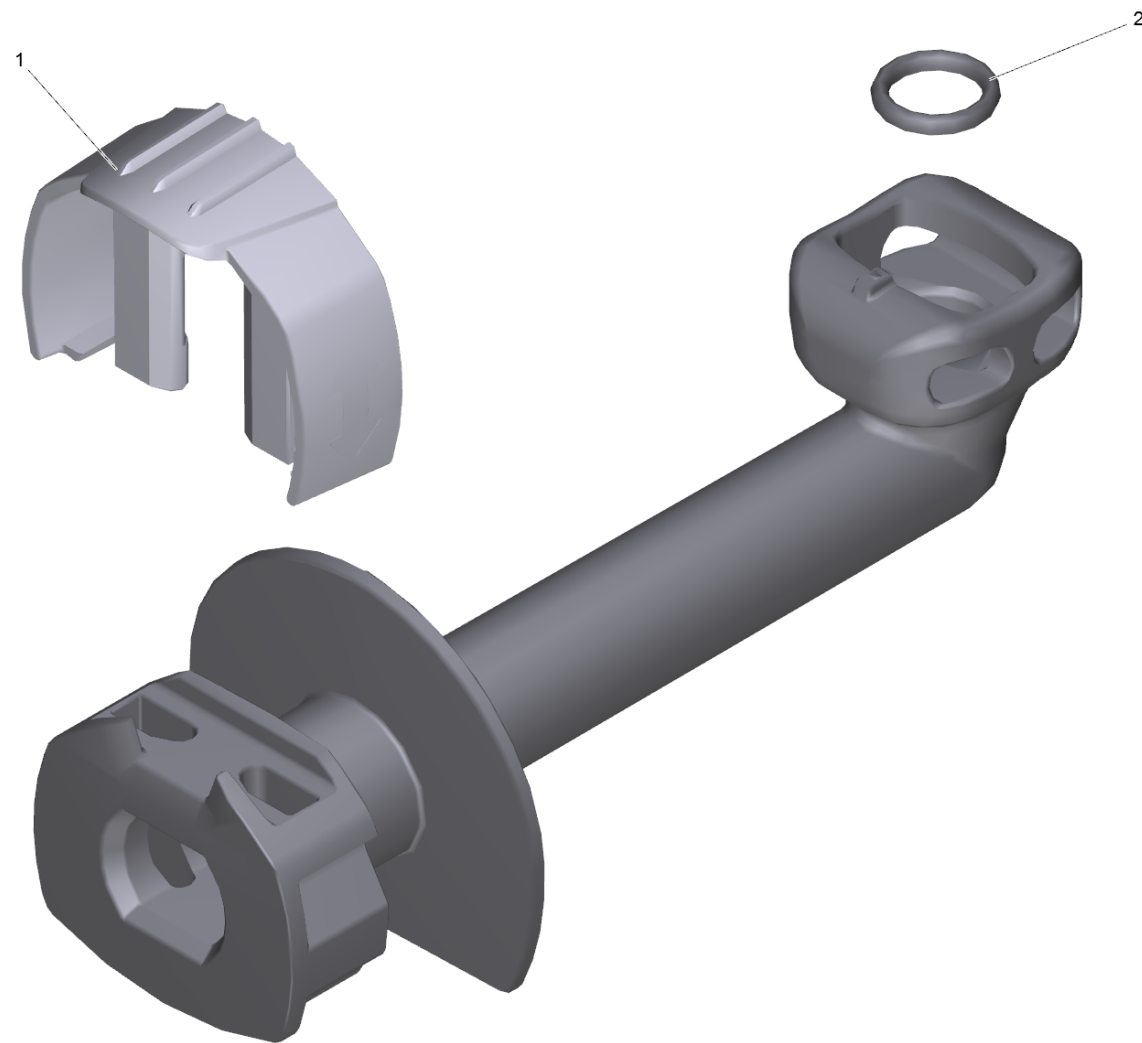
<b>POS</b>	<b>Article no.</b>	<b>Description</b>	<b>Quantity</b>	<b>Unit</b>
3	6.363-657.0	O-Ring seal 50x2.35 NBR 70	1	PC
4	6.362-826.0	O-Ring seal 61,6x2,62	1	PC



901 Suction cover long with fine filter upr. (4.064-068.3)

---

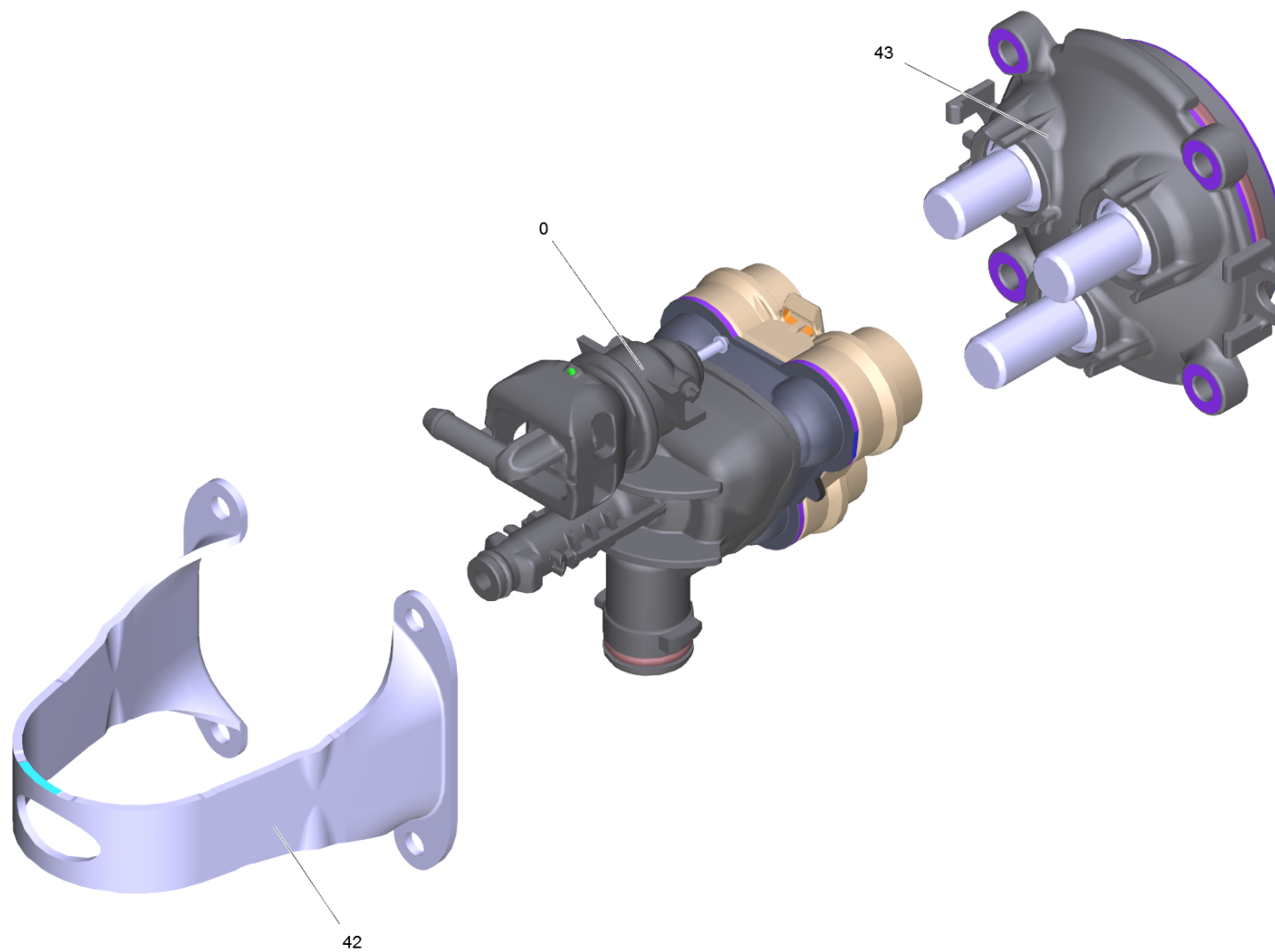
<b>POS</b>	<b>Article no.</b>	<b>Description</b>	<b>Quantity</b>	<b>Unit</b>
91	5.731-004.0	Fine filter short (2015/17)	1	PC



902 High-pressure outlet with clamp for repl (4.064-047.0)

---

<b>POS</b>	<b>Article no.</b>	<b>Description</b>	<b>Quantity</b>	<b>Unit</b>
1	5.037-463.0	Clamp for high-pressure outlet	1	PC
2	6.362-113.0	O-Ring seal 6,0 x 2,0 NBR 70	1	PC

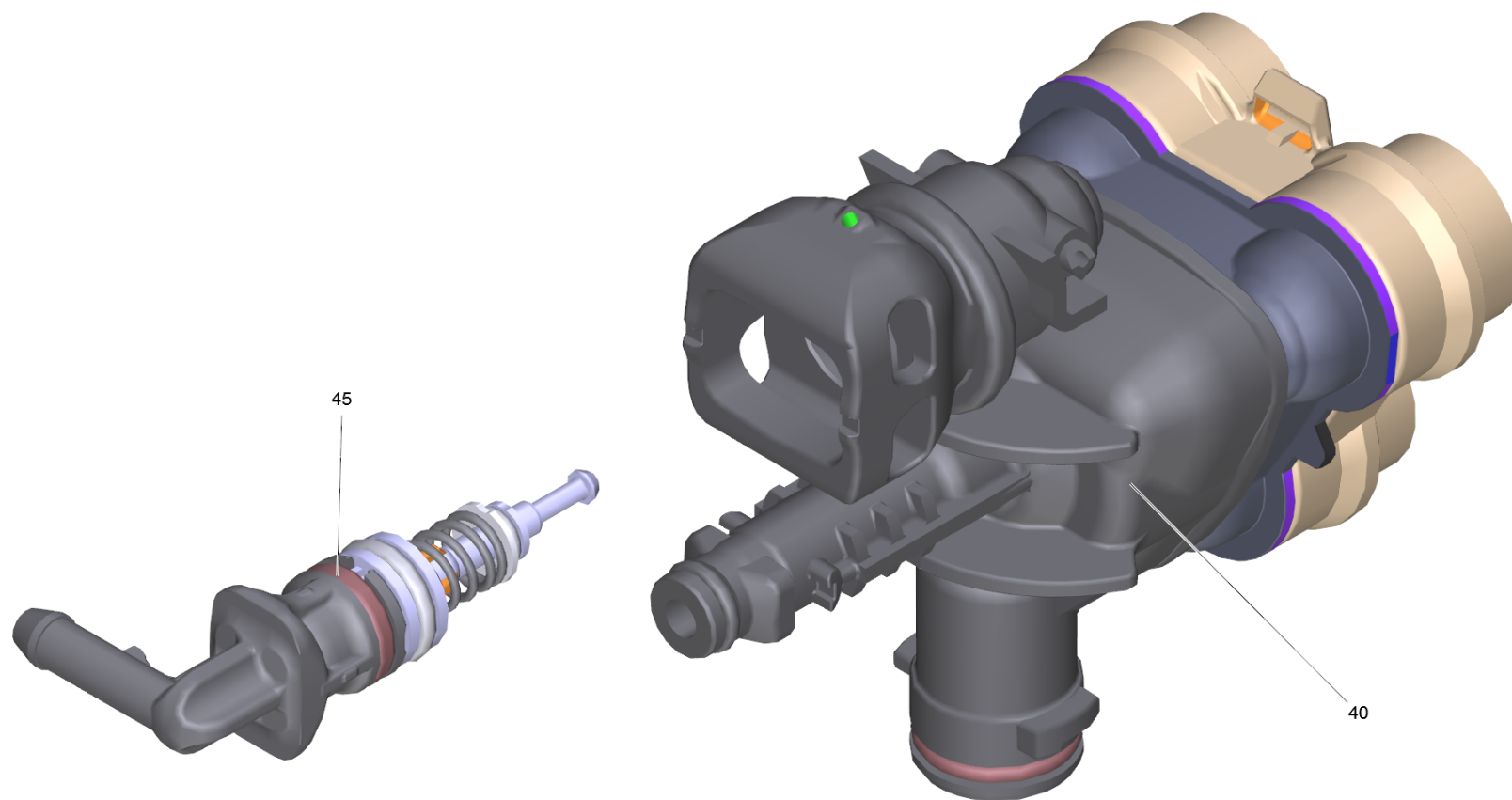


903 Cylinder head for replacement (250) RV (4.551-251.0)

---

<b>POS</b>	<b>Article no.</b>	<b>Description</b>	<b>Quantity</b>	<b>Unit</b>
0		Cylinder head RV (247+Stk/NC-90°/SV b.)	1	PC
42	5.051-384.0	Sheet metal component 4-fach	1	PC
43		Thrust guidance complete quadruple	1	PC

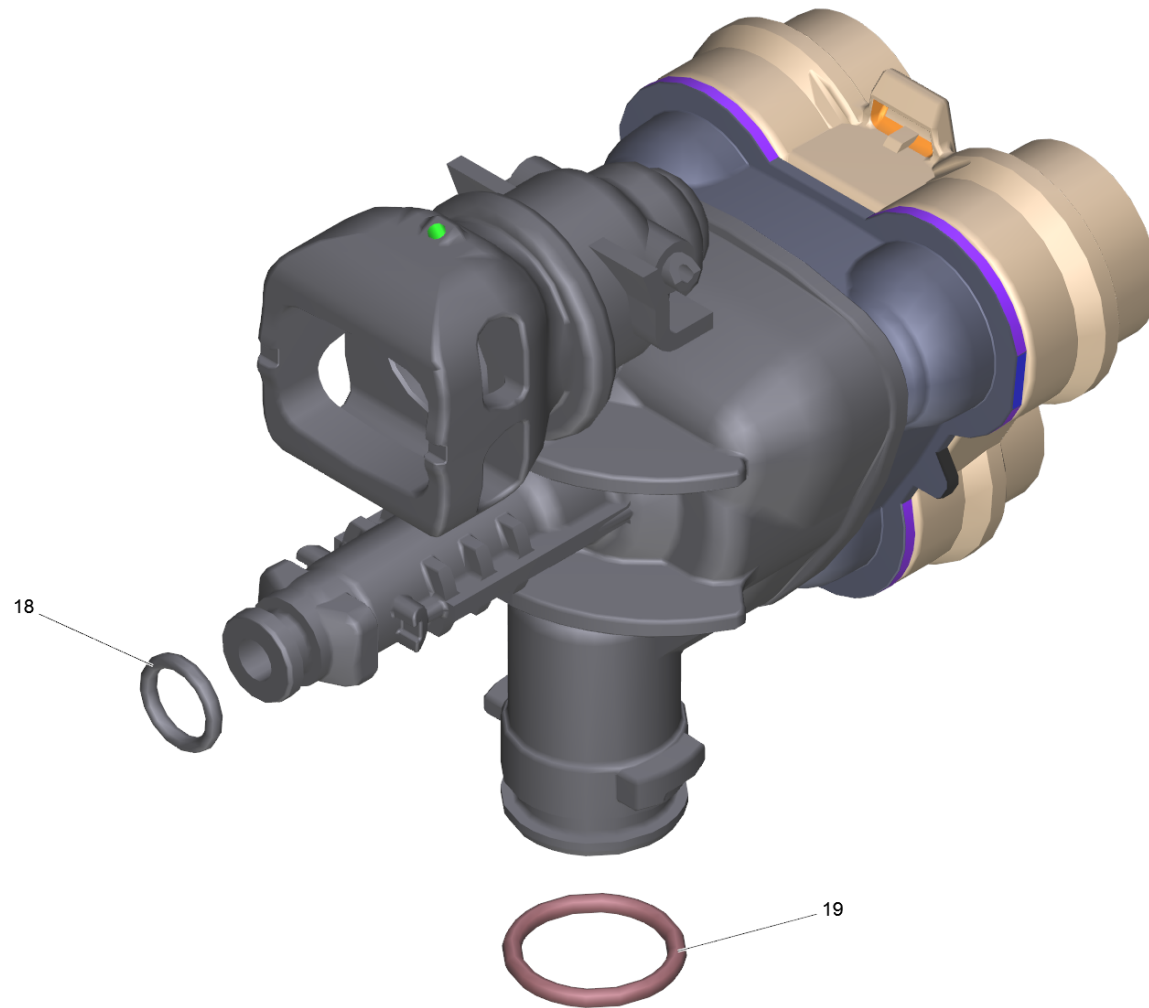




Cylinder head RV (247+Stk/NC-90°/SV b.)

---

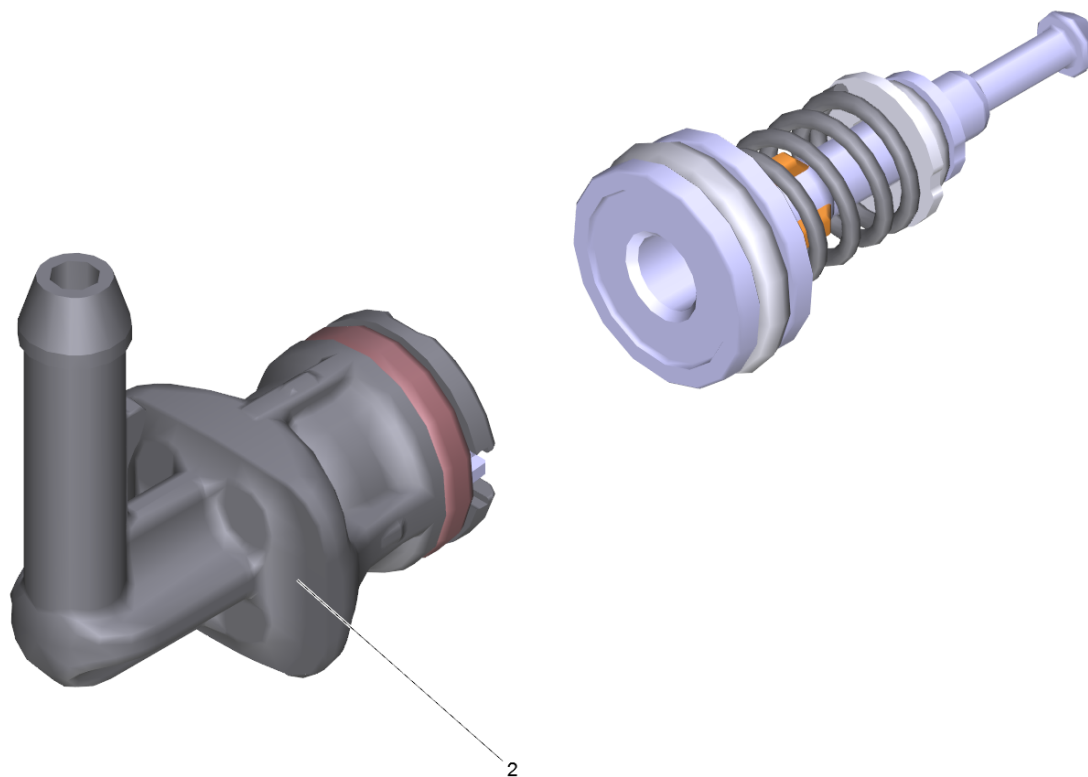
<b>POS</b>	<b>Article no.</b>	<b>Description</b>	<b>Quantity</b>	<b>Unit</b>
40		Cylinder head RV K2 *	1	PC
45	2.885-397.0	Spare parts set control piston with nipp	1	PC



40 Cylinder head RV K2 \*

---

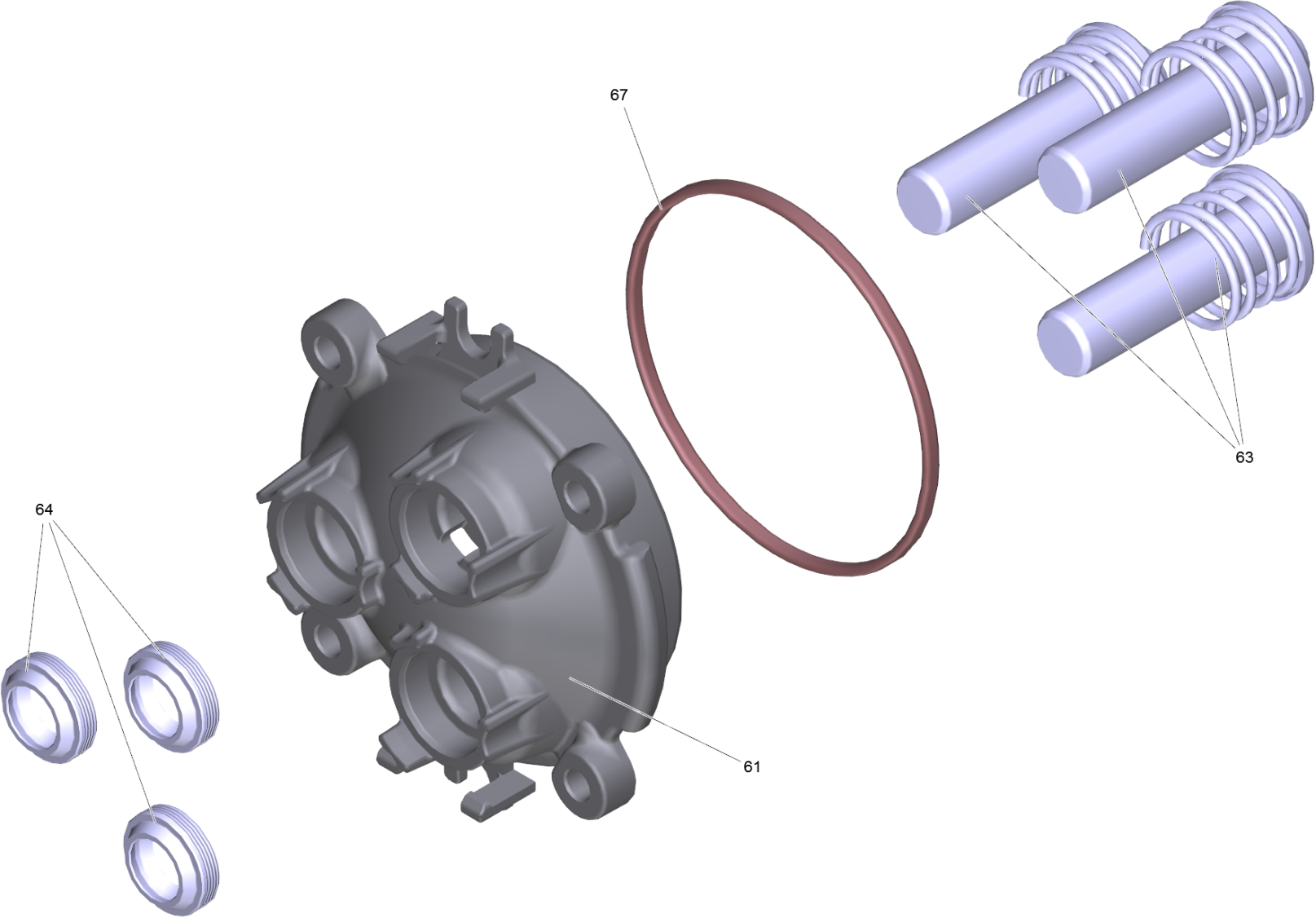
<b>POS</b>	<b>Article no.</b>	<b>Description</b>	<b>Quantity</b>	<b>Unit</b>
18	6.362-113.0	O-Ring seal 6,0 x 2,0 NBR 70	1	PC
19	6.362-427.0	O-Ring seal 15,0x2,0	1	PC



45 Spare parts set control piston with nipp (2.885-397.0)

---

<b>POS</b>	<b>Article no.</b>	<b>Description</b>	<b>Quantity</b>	<b>Unit</b>
2	2.885-396.0	Spare parts set nipple chemistry RV	1	PC
900	6.288-088.0	Grease Molikote 55 M	1	PC



#### 43 Thrust guidance complete quadruple

---

<b>POS</b>	<b>Article no.</b>	<b>Description</b>	<b>Quantity</b>	<b>Unit</b>
61	5.062-412.0	Thrust guidance V2 R V	1	PC
63	2.885-398.0	Spare parts set piston with spring RV	3	PC
64	6.365-581.0	Grooved ring 12x18x4/6 NBR 75 Shore A	3	PC
67	6.362-826.0	O-Ring seal 61,6x2,62	1	PC

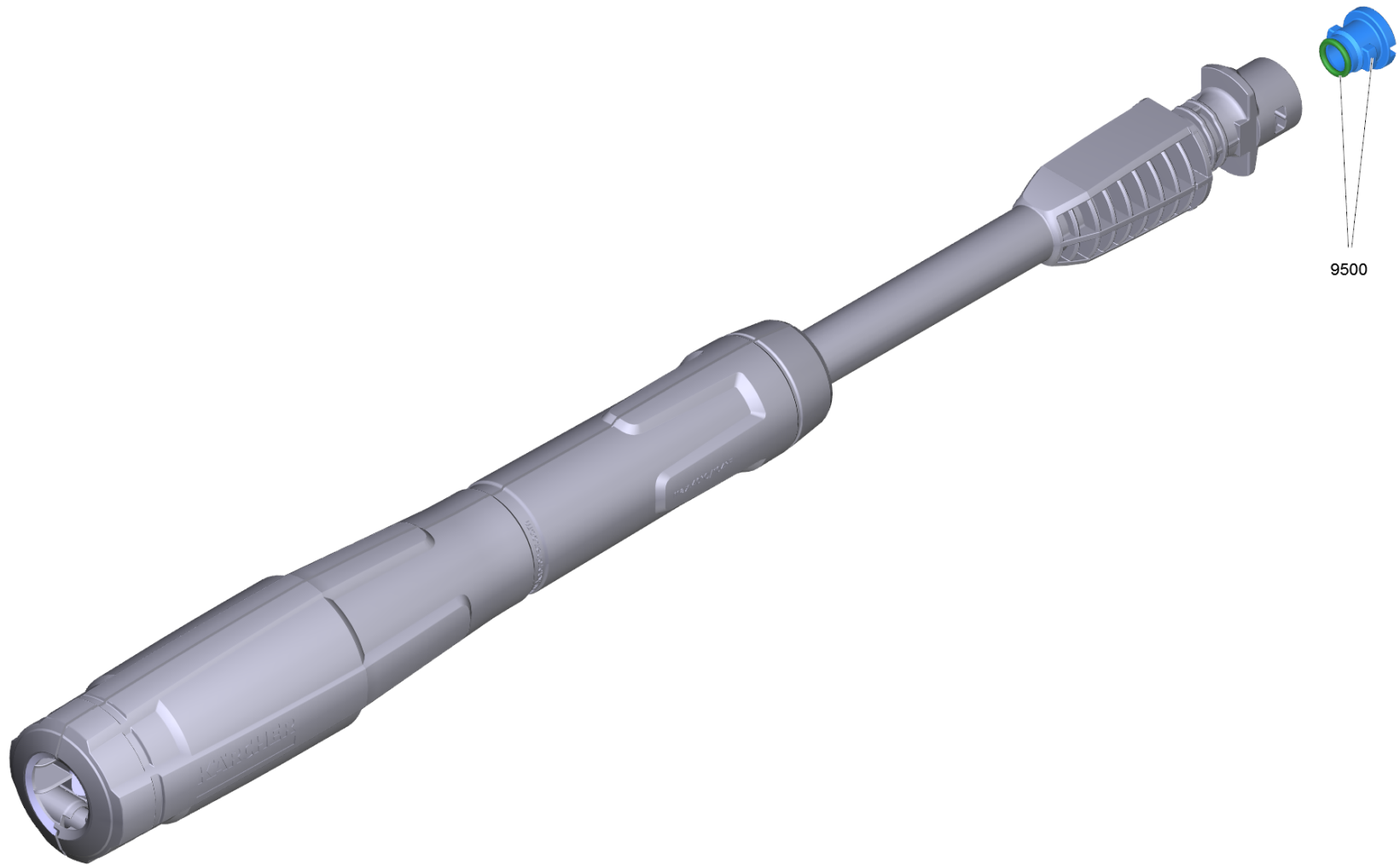




7 Dirt blaster middle 0225 St (4.764-333.3)

---

<b>POS</b>	<b>Article no.</b>	<b>Description</b>	<b>Quantity</b>	<b>Unit</b>
9500	2.640-729.0	O-Ring seal set	1	PC



8 VPS middle 021 K (4.760-518.3)

---

<b>POS</b>	<b>Article no.</b>	<b>Description</b>	<b>Quantity</b>	<b>Unit</b>
9500	2.640-729.0	O-Ring seal set	1	PC



10 G 180 Q Trigger gun Quick Connect (2.642-889.0)

---

<b>POS</b>	<b>Article no.</b>	<b>Description</b>	<b>Quantity</b>	<b>Unit</b>
1	5.332-464.0	Pressure spring	1	PC

---

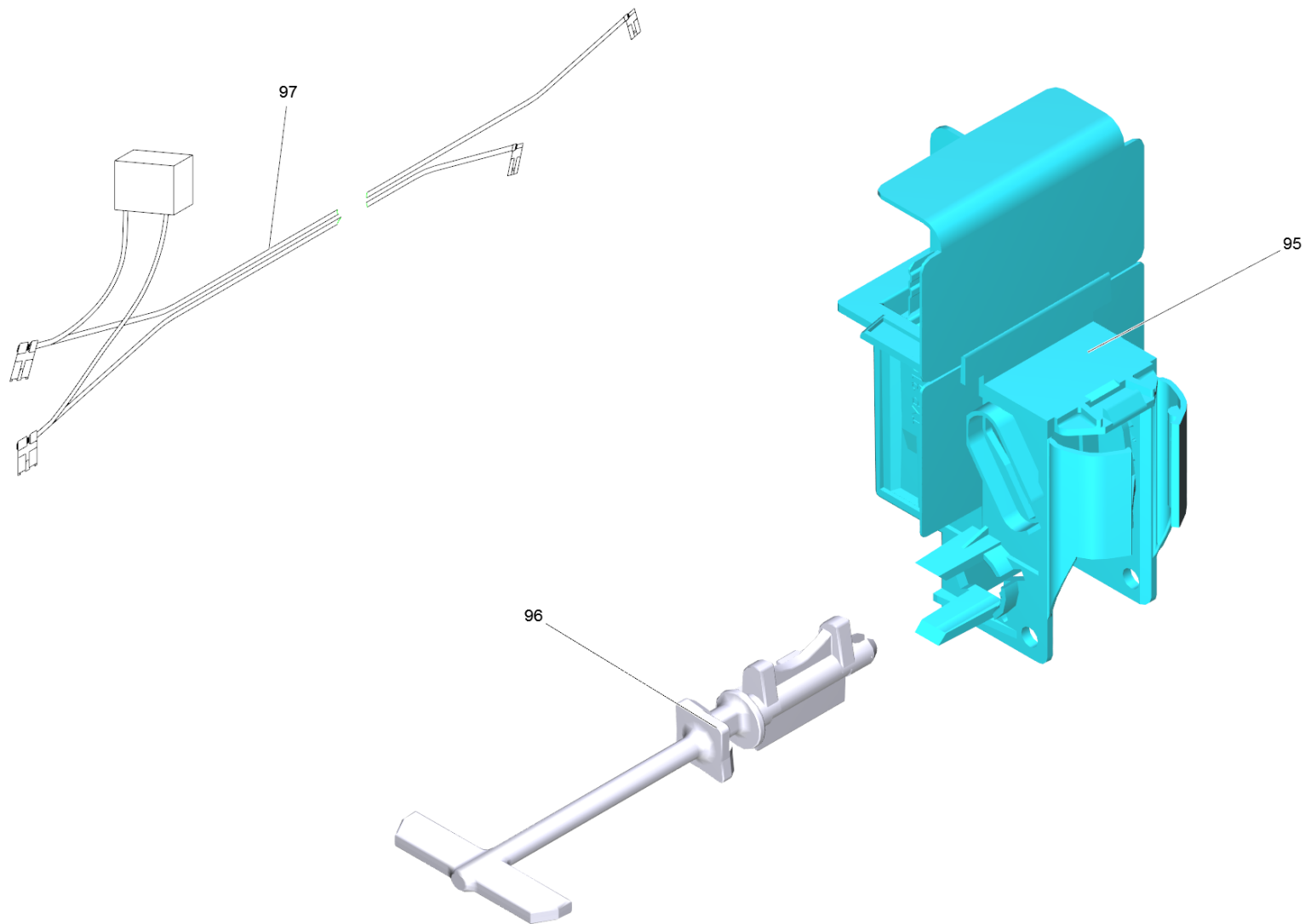


13 H 9 Q high pressure hose Quick Connect (2.641-721.0)

---

<b>POS</b>	<b>Article no.</b>	<b>Description</b>	<b>Quantity</b>	<b>Unit</b>
999	2.640-729.0	O-Ring seal set	1	PC

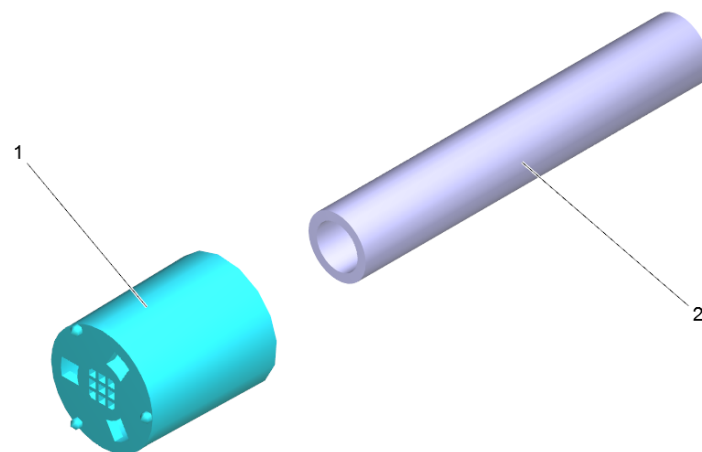




85 Switch complete RV 470nF f. K4 Comp. \*EU

---

<b>POS</b>	<b>Article no.</b>	<b>Description</b>	<b>Quantity</b>	<b>Unit</b>
95	6.630-768.0	Switch replacement + UL/CSA RV	1	PC
96	5.105-659.0	Axle UZS 75.5mm	1	PC
97	6.649-606.0	Cable with capacitor 470nF (Motor h45)	1	PC



122 Filter with hose RM 0,50 \*

---

<b>POS</b>	<b>Article no.</b>	<b>Description</b>	<b>Quantity</b>	<b>Unit</b>
1	5.731-652.0	Filter with weight	1	PC
2	6.388-216.0	Hose DN 5	0,5	m