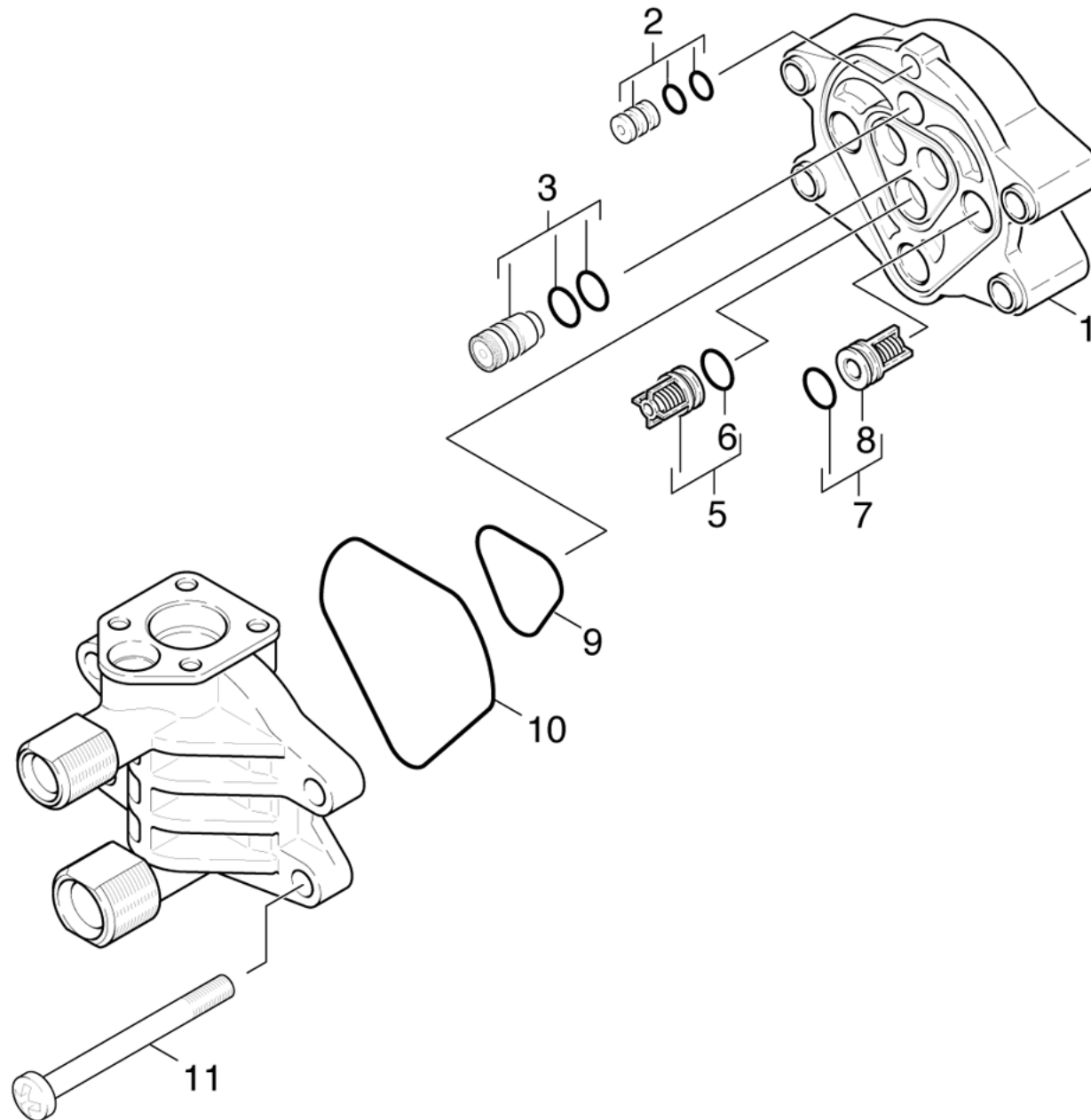


24 Cylinder head

Home and Garden \ High pressure cleaner cold water \ Electric motor \ K 6 \ K 620 MH (121806) \ Spare parts list K 620 M *EU \ Pump set \ Cylinder head

KÄRCHER



24 Cylinder head

Home and Garden \ High pressure cleaner cold water \ Electric motor \ K 6 \ K 620 MH (121806) \ Spare parts list K 620 M *EU \ Pump set \ Cylinder head

KÄRCHER

POS	Article no.	Description	Quantity	Unit
1	5.550-200.0	Cylinder head -BONEZZI 12.022.503	1.000	ST
2	4.030-125.0	Joining piece only for replacement	1.000	ST
3	4.580-265.0	Valve pressure discharge	1.000	ST
5	2.884-876.0	Valve (3 Stueck)	1.000	ST
6	6.362-077.0	O-Ring seal 10 x 2,2 NBR 70	3.000	ST
7	2.884-874.0	Valve (3 Stueck)	1.000	ST
8	6.362-728.0	O-Ring seal 10,0 X 2,5	3.000	ST
9	5.365-172.0	Profile gasket high-pressure	1.000	ST
10	5.365-173.0	Profile gasket ND	1.000	ST
11	7.304-099.0	Hexagonal head screw M 8x90-8.8-A2E ISO	4.000	ST