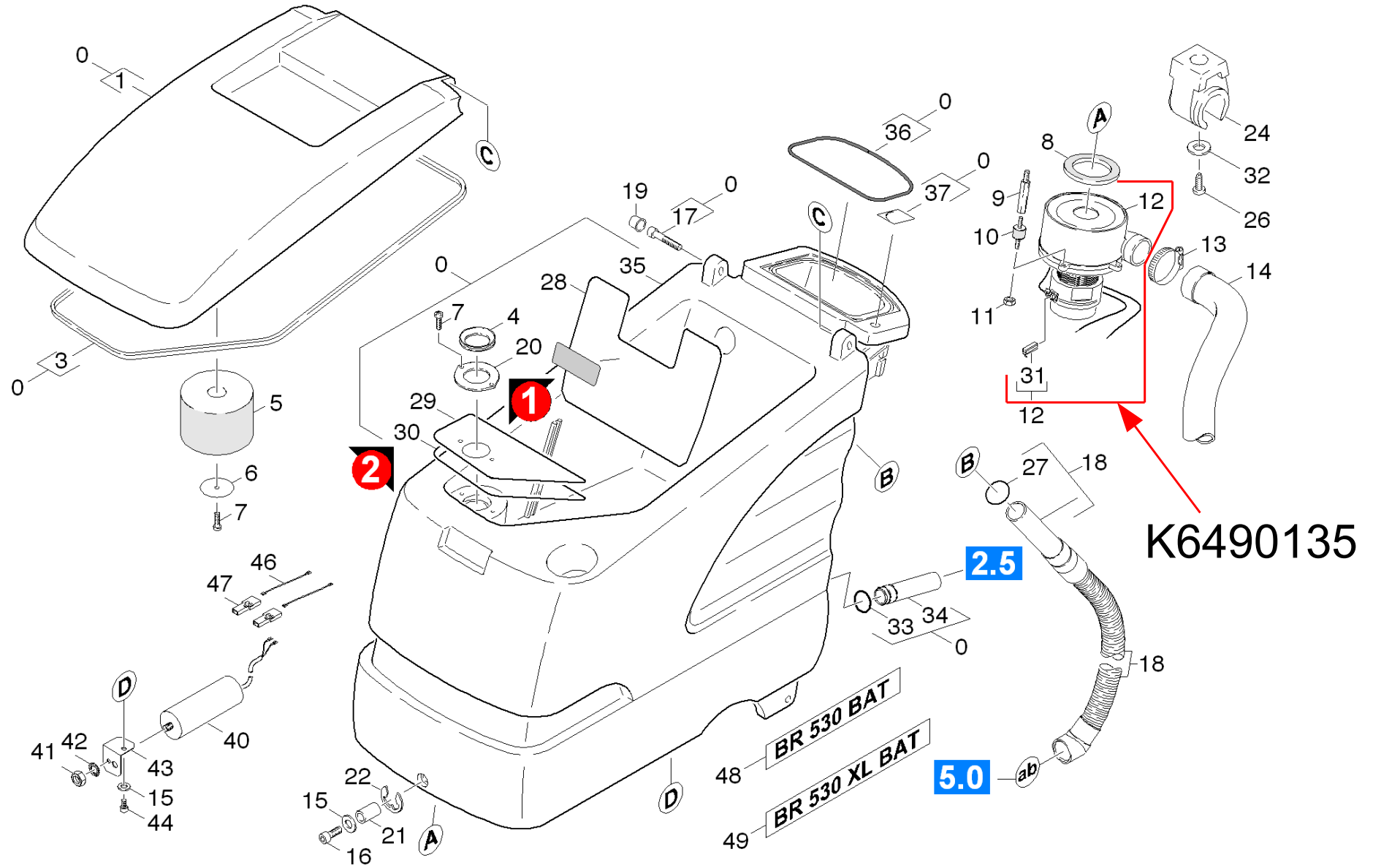


## 10 Cover and motor (0.161-410.0)

Overview technical documents/Professional/Floor cleaner/Walk behind/BR 530 XL BAT \*EU (1.127-261.0)/Spare parts list BR 530 Netz/10 Cover and motor (0.161-410.0)



## 10 Cover and motor (0.161-410.0)

Overview technical documents/Professional/Floor cleaner/Walk behind/BR 530 XL BAT \*EU (1.127-261.0)/Spare parts list BR 530 Netz/10 Cover and motor (0.161-410.0)

ET/VT (spare/wear parts)	Pos	Material #	Name	Qty.	Unit	from ser.nr.	up to ser.nr.	var. information	Footnote text
	0	4.605-067.0	Housing and cover	1.000	ST	00000000000000000000			
	1	5.063-766.0	Cover	1.000	ST	00000000000000000000			
X-X	3	6.366-043.0	Sealing profile	2.000	M	00000000000000000000			TO ORDER AS CUT GO
X-X	4	5.363-344.0	Joint ring	1.000	ST	00000000000000000000			
X-X	5	5.585-028.0	FLOAT	1.000	ST				
Position text: / 1.127-121.0 / -221.0 / -807.0									
X-X	5	5.585-058.0	Float BR/BD 530	1.000	ST	00000000000000000000			
Position text: / 1.127-321.0 / -421.0 / -683.0 / -687.0 / -805.0 / -809.0									
X-X	6	5.115-754.0	Washer	1.000	ST	00000000000000000000			
X-X	7	7.303-107.0	Screw 5x16 -10.9-P2R (K-In6Rd)	1.000	ST	00000000000000000000			
X-X	8	5.363-574.0	Joint ring	1.000	ST	00000000000000000000			
X-X	9	5.308-056.0	Stud bolt	3.000	ST	00000000000000000000			
X-X	10	6.339-021.0	Rubber buffer 2xM6-D20 H15	3.000	ST	00000000000000000000			
X	11	7.311-541.0	Hexagon nut M 6-8-A2E EN 1661	3.000	ST	00000000000000000000			
X	12	4.490-001.0	Vacuum motor only for replacement	1.000	ST	00000000000000000000			OLD VERSION
	12	6.490-162.0	Vacuum motor 120V	1.000	ST	00000000000000000000		120V 60HZ	
Position text: / 1.127-683.0 / -687.0									
X-X	12	6.490-135.0	Vacuum motor	1.000	ST	00000000000000000000		220-240V 50/60HZ	
Position text: / 1.127-121.0 / -221.0 / -321.0 / -421.0 / -805.0 / -807.0 / -809.0									
X-X	13	6.641-474.0	Cable tape 8-210	1.000	ST	00000000000000000000			
X-X	14	6.390-215.0	Soundproof hose	1.000	ST	00000000000000000000			
	15	7.312-277.0	Washer 8-200HV-A2E ISO7093-1	3.000	ST	00000000000000000000			
X-X	16	5.305-204.0	Shaped screw	1.000	ST	00000000000000000000			
X-X	17	7.306-049.0	Cylinder head screw M 8x45-8.8-A2E ISO	2.000	ST	00000000000000000000			
X-X	18	4.390-007.0	Suction hose complete	1.000	ST				STANDARD

## 10 Cover and motor (0.161-410.0)

Overview technical documents/Professional/Floor cleaner/Walk behind/BR 530 XL BAT \*EU (1.127-261.0)/Spare parts list BR 530 Netz/10 Cover and motor (0.161-410.0)

ET/VT (spare/wear parts)	Pos	Material #	Name	Qty.	Unit	from ser.nr.	up to ser.nr.	var. information	Footnote text
X-X	18	4.390-002.0	Suction hose complete oil resistant	1.000	ST				OIL RESISTANT
X	19	6.368-295.0	Protecting cap	2.000	ST	00000000000000000000			
X-X	20	5.001-752.0	Plate	1.000	ST	00000000000000000000			VERSION 1
X	21	5.110-680.0	Sleeve	1.000	ST	00000000000000000000			
	22	7.343-204.0	Lock washer 6 -CuSn8 DIN 6799	1.000	ST	00000000000000000000			
	24	6.373-692.0	Pipe clip D 63	1.000	ST	00000000000000000000			
	25	6.647-081.0	Cable tape	1.000	ST	00000000000000000000			
X-X	26	7.306-031.0	Screw M 6x16-A2-70 DIN 7984	1.000	ST	00000000000000000000			
X-X	27	6.362-089.0	O-Ring seal 40,0 X 3,0	1.000	ST	00000000000000000000			
X	28	5.008-301.0	Sheet metal component	1.000	ST	00000000000000000000			
X-X	29	5.001-813.0	Plate	1.000	ST	00000000000000000000			VERSION 2
X-X	30	5.363-420.0	Seal	1.000	ST	00000000000000000000			VERSION 2
X-X	31	6.610-221.0	Carbon brush set	1.000	ST	00000000000000000000			
X-X	32	7.312-017.0	Washer 8-A2 ISO 7089	1.000	ST	00000000000000000000			
X-X	33	6.362-385.0	O-Ring seal 26,0 X 2,5-NBR 70	1.000	ST	00000000000000000000			
X-X	34	5.128-352.0	Tube	1.000	ST	00000000000000000000			
	35	7.777-999.0	Stockpiling discontinued	1.000	ST	00000350120000000000			
X	36	6.273-145.0	Cord cellular rubber	1.000	ZST	00000000000000000000			
	37	5.382-594.0	Label water tap	1.000	ST	00000000000000000000			
	40	6.661-236.0	Capacitor 100µF	1.000	ST	00000000000000000000			
Position text: / 1.127-683.0									
	41	7.311-008.0	Hexagon nut M12-8-A3E ISO 4032	1.000	ST	00000000000000000000			
Position text: / 1.127-683.0									
	42	7.312-169.0	Toothed lock washer A13-FST-A3E DIN 679	1.000	ST	00000000000000000000			
Position text: / 1.127-683.0									

## 10 Cover and motor (0.161-410.0)

Overview technical documents/Professional/Floor cleaner/Walk behind/BR 530 XL BAT \*EU (1.127-261.0)/Spare parts list BR 530 Netz/10 Cover and motor (0.161-410.0)

ET/VT (spare/wear parts)	Pos	Material #	Name	Qty.	Unit	from ser.nr.	up to ser.nr.	var. information	Footnote text
	43	5.017-709.0	Angle	1.000	ST	00000000000000000000			
Position text: / 1.127-683.0									
	44	7.306-119.0	Cylinder head screw M8x12 -A2-70 ISO 47	1.000	ST	00000000000000000000			
Position text: / 1.127-683.0									
	46	4.822-227.0	Cable black 1,5mm <sup>2</sup> x100mm	2.000	ST	00000000000000000000			
Position text: / 1.127-683.0									
	47	6.649-015.0	Plug-in connection	2.000	ST	00000000000000000000			
Position text: / 1.127-683.0									
	48	5.382-645.0	Label BR530 BAT	1.000	ST	00000000000000000000			
	49	5.382-801.0	Label BR530 XL BAT	1.000	ST	00000000000000000000			
Position text: / 1.127-221.0 /-421.0									