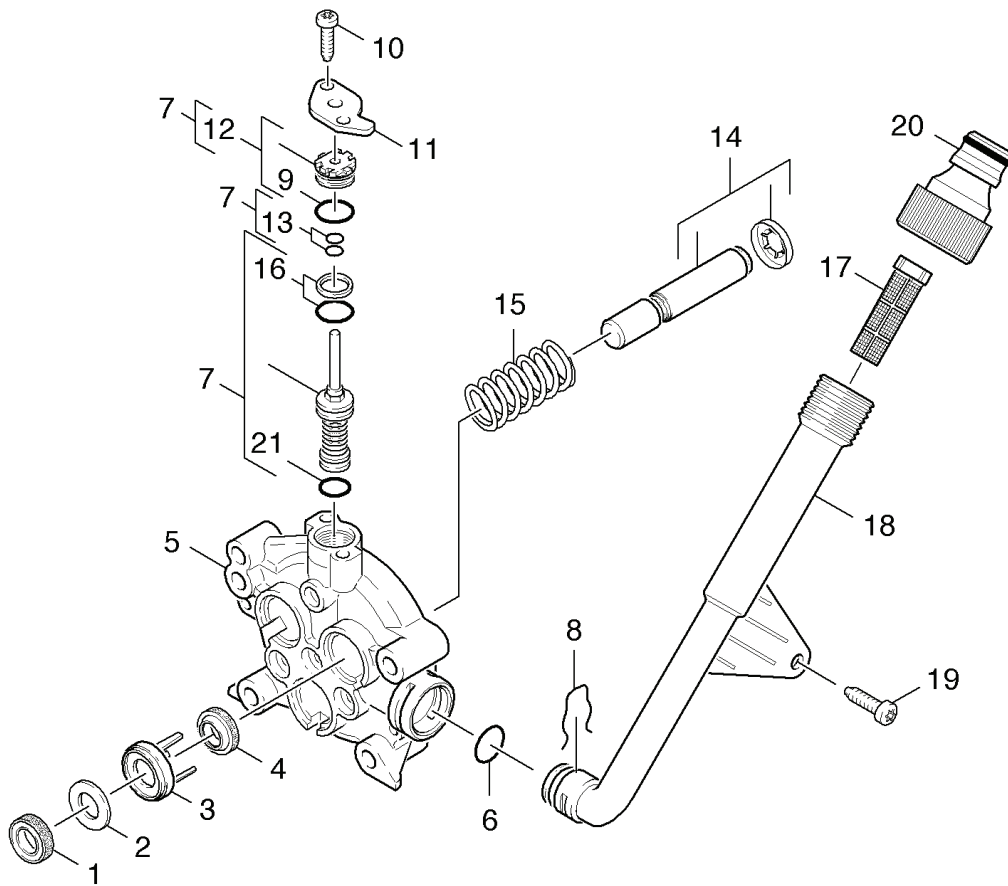


22 Thrust guidance

Home and Garden \ High pressure cleaner cold water \ Electric motor \ K 7 \ K 7.80M-PL-WB - Use 10346000 *AUS \ Spare parts list K 7.80 \ Pump set \ Thrust guidance

KÄRCHER



22 Thrust guidance

Home and Garden \ High pressure cleaner cold water \ Electric motor \ K 7 \ K 7.80M-PL-WB - Use 10346000 *AUS \ Spare parts list K 7.80 \ Pump set \ Thrust guidance



POS	Article no.	Description	Quantity	Unit	Foot note text
8	5.048-915.0	Clamp	1.000	ST	
20	6.465-031.0	Connection 3/4	1.000	ST	
11	5.064-127.0	Cover	1.000	ST	
7	4.580-663.0	Excess-current complete D5,8 PUR	1.000	ST	
17	5.731-620.0	Fine filter	1.000	ST	
1	6.365-448.0	Grooved ring	3.000	ST	FOR PISTON DIAMETER 13MM
1	6.365-394.0	Grooved ring 12x20x5,3/2,8	3.000	ST	FOR PISTON DIAMETER 12MM
4	6.365-447.0	Grooved ring 13X20X4/6	3.000	ST	FOR PISTON DIAMETER 13MM
12	4.030-123.0	Moulded part complete only for replaceme	1.000	ST	
21	6.362-958.0	O-Ring seal 9 x 2 -NBR 90	1.000	ST	
9	6.362-169.0	O-Ring seal 12,0 X 2,0	1.000	ST	
6	6.363-610.0	O-Ring seal 13 x 3 -NBR	1.000	ST	
13	6.362-852.0	O-Ring seal complete 3,69	1.000	ST	
16	6.363-174.0	O-Ring seal complete 12,42	1.000	ST	
4	6.365-393.0	Oil sealing 12x20x4/6	3.000	ST	FOR PISTON DIAMETER 12MM
14	4.553-228.0	Piston complete D12	3.000	ST	FOR PISTON DIAMETER 12MM
14	4.553-227.0	Piston complete D13	3.000	ST	FOR PISTON DIAMETER 13MM
5	5.060-944.0	Piston guidance	1.000	ST	FOR PISTON DIAMETER 13MM
5	5.062-043.0	Piston guidance K7.8X	1.000	ST	FOR PISTON DIAMETER 12MM
15	5.332-391.0	Pressure spring	3.000	ST	
19	7.303-036.0	Screw M5x8 -St-A2R (In6Rd)	1.000	ST	
10	7.303-048.0	Screw M6x20 -St-R3R (In6Rd)	2.000	ST	
18	5.029-070.0	Tube water intake	1.000	ST	
2	5.115-721.0	Washer	3.000	ST	FOR PISTON DIAMETER 12MM
2	5.115-934.0	Washer	3.000	ST	FOR PISTON DIAMETER 13MM
3	5.116-061.0	Washer	3.000	ST	FOR PISTON DIAMETER 13MM
3	5.116-062.0	Washer	3.000	ST	FOR PISTON DIAMETER 12MM