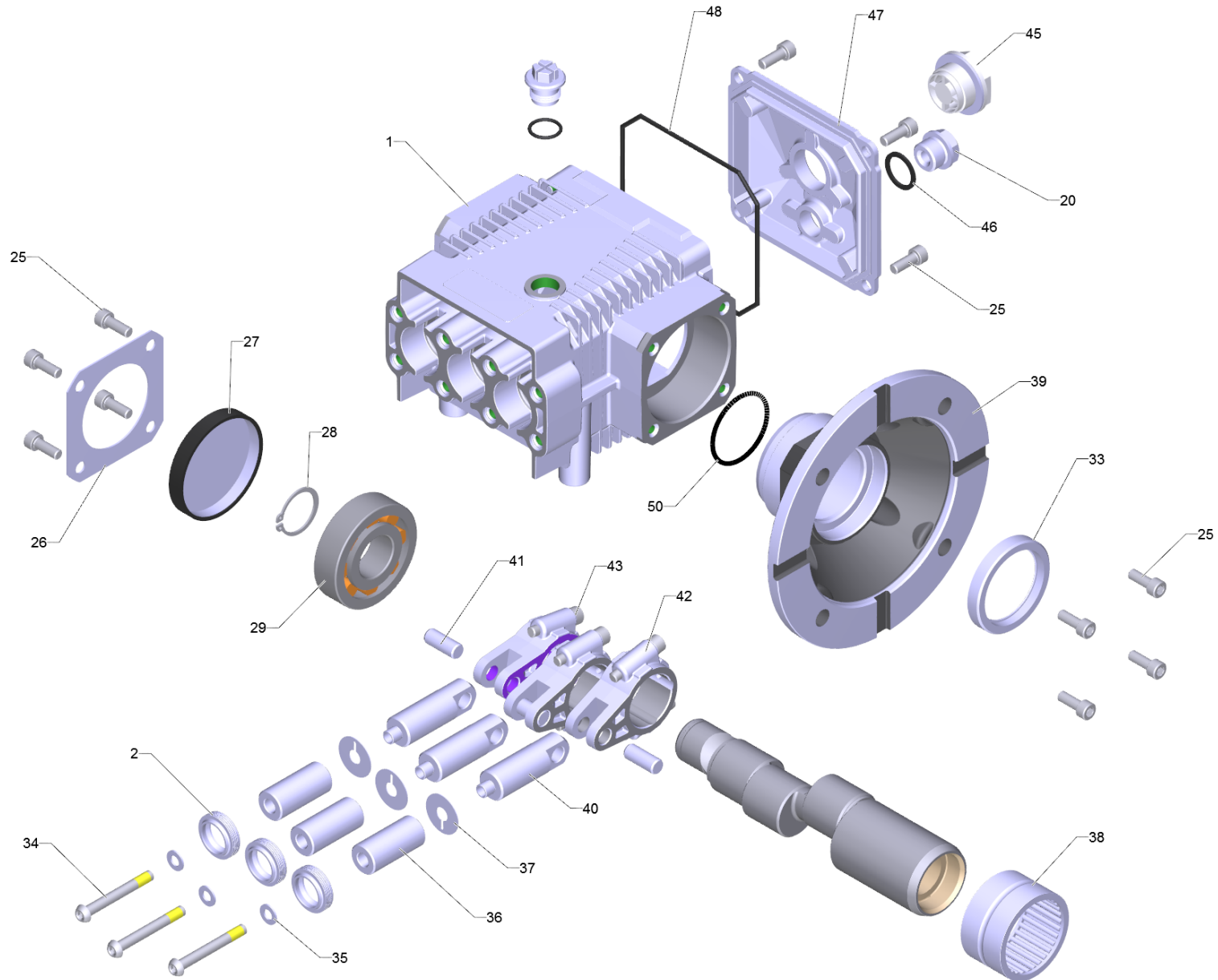


330 Pump set HD 9/20

Professional \ High pressure cleaner hotwater \ Electric motor \ HDS 9/20-4 Classic *KAP \ Pump set HD 9/20



330 Pump set HD 9/20

Professional \ High pressure cleaner hotwater \ Electric motor \ HDS 9/20-4 Classic *KAP \ Pump set HD 9/20

KÄRCHER

POS	Article no.	Description	Quantity	Unit
40	9.761-279.0	Connecting rod	3	PC
27	9.761-118.0	Covering cap bearing	1	PC
47	9.761-120.0	Cover worked	1	PC
25	7.306-272.0	Cylinder head screw M6x16-12.9-A2E ISO	12	PC
20	9.761-057.0	Drain plug G 3/8"	1	PC
55	6.288-050.0	Engine oil 1L	1	PC
39	9.761-140.0	Flange worked	1	PC
2	6.365-334.0	Grooved ring 18X26X6/8	3	PC
1	9.761-278.0	Housing worked	1	PC
35	9.761-177.0	Joint ring	3	PC
46	9.761-007.0	Joint ring G 3/8"	1	PC
33	9.761-137.0	Joint ring W 42x55x8	1	PC
28	7.343-008.0	Locking ring 25x1,2-St-vz DIN 471	1	PC
43	9.761-207.0	Lock washer	6	PC
38	9.761-138.0	Needle bearing	1	PC
48	9.761-081.0	O-Ring seal D 2.62x107	1	PC
50	9.761-180.0	O-Ring seal D 55.56x3.55	1	PC
45	9.761-093.0	Oil inspection glass G3/4"	1	PC
53	9.761-022.0	Oil level gauge G 3/8"	1	PC
34	9.761-174.0	Pan head screw with Scotchgrip	3	PC
41	9.761-077.0	Pin	3	PC
42	9.751-008.0	Piston rod complete	3	PC
26	9.761-073.0	Plate covering cap	1	PC
29	7.401-353.0	Roller bearing NUP 305-Waelz.St. DIN 541	1	PC
36	9.761-071.0	Sleeve D 18	3	PC
37	9.761-078.0	Washer D 9.3 x 24	3	PC