

Spare parts list

(1.150-600.0) HD 6/15 C *EU

Table of contents

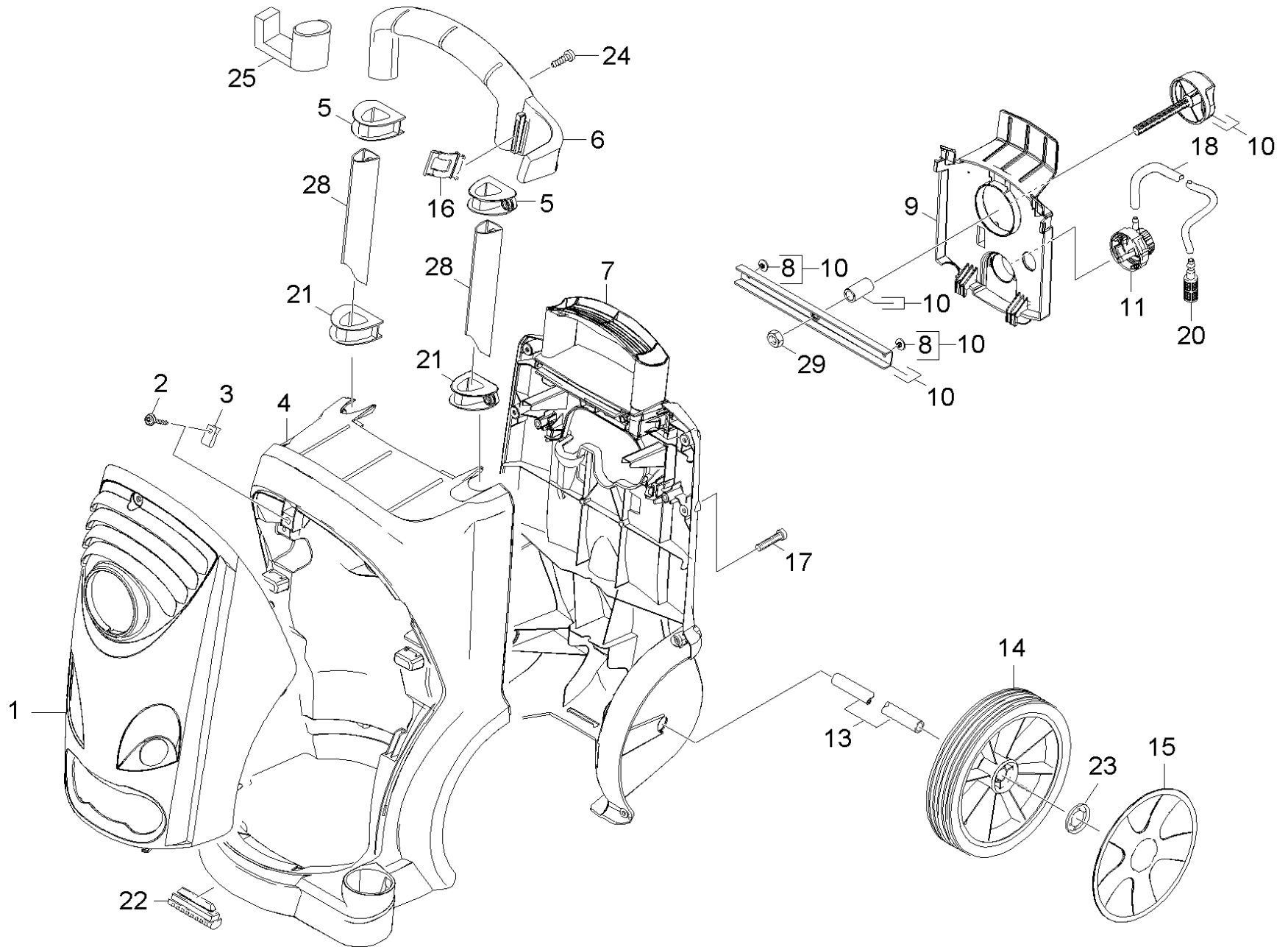
HD 6/15 C *EU (1.150-600.0)	3
Spare parts list HD 6/15 C *EU (5.971-813.0)	4
10 Housing	5
20 Pump set	7
21 Cylinder head	8
4 Valve (3 Stück) from 2.885-299.0 (2.884-916.0)	10
11 Spare part (4.132-007.0)	12
20 Valve pin complete (4.584-022.0)	14
21 Nozzle insert only for replacement (4.769-034.0)	16
24 Overflow valve (4.591-038.0)	18
31 Spindle complete (4.291-014.0)	19
100 Pump set HD 6/15 C (2.885-242.0)	21
10 Spare part (4.132-007.0)	23
20 Valve (3 Stück) from 2.885-299.0 (2.884-916.0)	25
22 Thrust guidance	27
23 Water filter	29
30 Motor	31
40 Accessories	33
41 Hand trigger gun	34
1 Hand Trigger Gun (4.775-463.0)	36
9002 level complete (4.481-209.0)	38
4 level complete (4.481-209.0)	40
42 High pressure hose	42
43 Jet pipe	44
1 Jet pipe packaged only for replacement (4.760-663.0)	46
14 Skrūves savienotāja daļa (5.401-210.0)	48
8 Skrūves savienotāja daļa (5.401-210.0)	49
44 Triple jet nozzle	50
Triple jet nozzle only for replacement (4.767-147.0)	52
2 Spare parts list triple jet nozzle (5.970-837.0)	53
10 Triple jet nozzle plastics	54
20 Triple jet nozzle brass	56
50 Electric box	58

HD 6/15 C *EU (1.150-600.0)

POS	Preces Nr.	Apraksts	Quantity	Unit
0	5.971-813.0	Spare parts list HD 6/15 C *EU	1.000	ST

Spare parts list HD 6/15 C *EU (5.971-813.0)

POS	Apraksts	Quantity	Unit
10	Housing	1.000	ST
20	Pump set	1.000	ST
30	Motor	1.000	ST
40	Accessories	1.000	ST
50	Electric box	1.000	ST

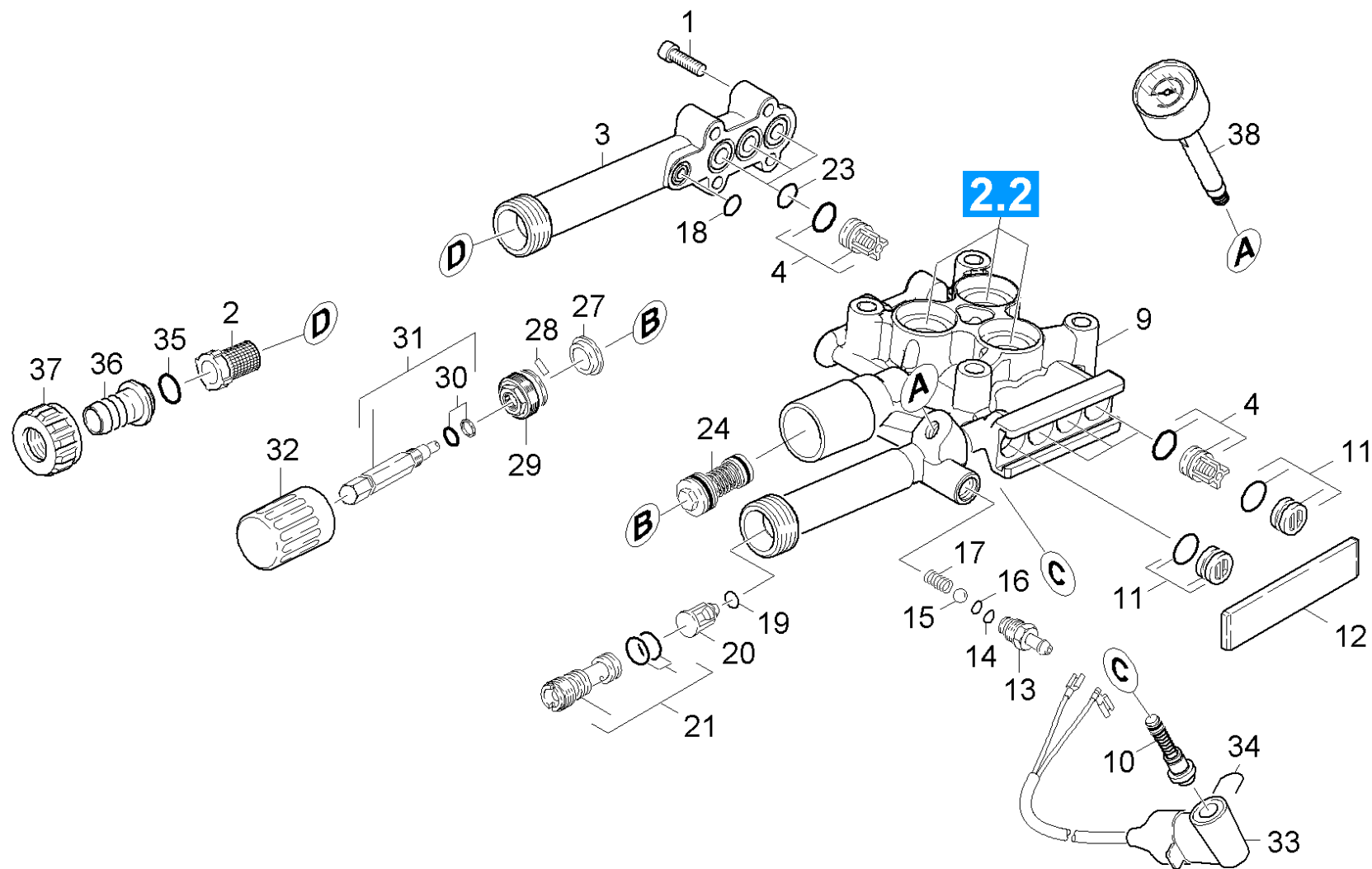


10 Housing

POS	Preces Nr.	Apraksts	Quantity	Unit	Zemsvītras piezīme
1	5.069-443.0	lekārtas vāks, pelēks - tikai nomaiņai	1.000	ST	
2	6.304-099.0	skr. ar ovālu galvu M 6x 18-4.8-R2R	1.000	ST	
3	6.310-053.0	Uzgrieznis	1.000	ST	
4	5.050-206.3	Priekšējais rāmis	1.000	ST	
5	5.032-554.0	Guide	2.000	ST	
6	5.321-721.0	Tvereklis	1.000	ST	
7	5.050-207.0	frame rear panel	1.000	ST	
8	6.315-086.0	Rivet	2.000	ST	
9	5.032-556.0	Covering cap	1.000	ST	
10	2.885-007.0	spare part	1.000	ST	
11	4.063-778.0	Proportioning valve chemistry	1.000	ST	
13	5.105-399.0	axle	1.000	ST	
14	6.435-662.0	Ritenis D200	2.000	ST	
15	4.515-323.0	Spare parts set wheel cap basalt grey RA	1.000	ST	SET OF 2 PIECES
16	5.044-216.0	Turētājs	1.000	ST	
17	7.303-108.0	Skrūve 5x20 -10.9-R2R (In6Rd)	10.000	ST	
18	6.388-216.0	Šļūtene DN 5	1.000	M	TO ORDER AS CUT GOODS
19	7.312-260.0	washer	1.000	ST	
20	5.731-652.0	Filtrs ar atsvariņu	1.000	ST	
21	5.032-555.0	Guide	2.000	ST	
22	5.057-062.0	Stiprinājums	2.000	ST	
23	6.343-168.0	Sprostapoplāksne	2.000	ST	
24	7.303-046.0	Screw M6x12 -St-R3R (In6Rd)	2.000	ST	
25	5.037-170.0	hook	1.000	ST	
28	5.107-248.0	Bar shearing shackle	2.000	ST	
29	7.311-088.0	Hexagon nut M10-8-A2K EN 1664	1.000	ST	

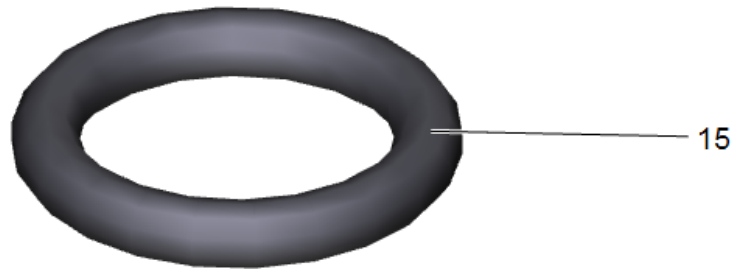
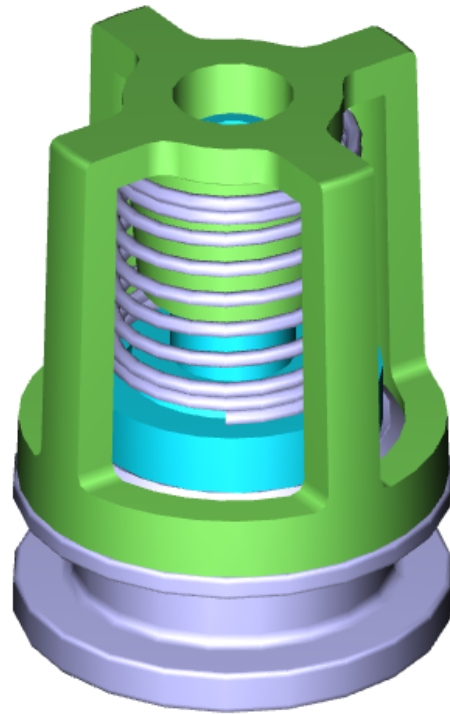
20 Pump set

POS	Apraksts	Quantity	Unit
21	Cylinder head	1.000	ST
22	Thrust guidance	1.000	ST
23	Water filter	1.000	ST



21 Cylinder head

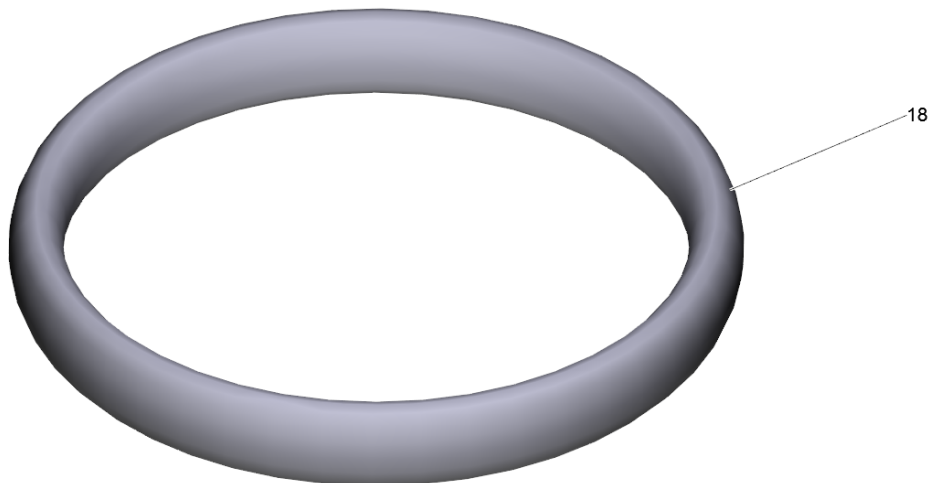
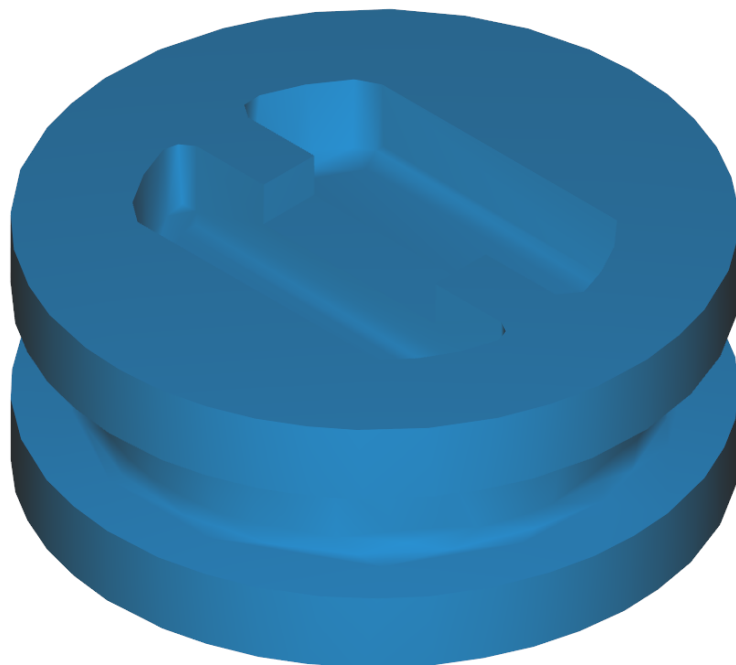
POS	Preces Nr.	Apraksts	Quantity	Unit
1	7.306-105.0	Skrūve M6x30 -8.8-R3R (In6Rd)	4.000	ST
2	6.414-252.0	Sieta filtrs	1.000	ST
3	5.064-150.0	Sūknēšanas kameras vāks	1.000	ST
4	2.884-916.0	Valve (3 Stück) from 2.885-299.0	2.000	ST
9	5.550-320.3	Cilindra galva	1.000	ST
10	2.884-501.0	Spare part set control piston	1.000	ST
11	4.132-007.0	Spare part	4.000	ST
12	5.003-062.0	Plate	1.000	ST
13	5.443-624.0	Nipelis	1.000	ST
14	6.362-113.0	Gredzenblīve 6,0 x 2,0 NBR 70	1.000	ST
15	7.401-908.0	Sfēra 7 G300 -1.4301 DIN 5401	1.000	ST
16	6.363-597.0	O-Ring seal 5,28 x 1,78	1.000	ST
17	5.332-258.0	Spirālveida atspere	1.000	ST
18	6.362-384.0	Gredzenblīve 9x1,5 - NBR 70	1.000	ST
19	6.363-613.0	Gredzenblīve 4 x 2 -NBR90	1.000	ST
20	4.584-022.0	Valve pin complete	1.000	ST
21	4.769-034.0	Nozzle insert only for replacement	1.000	ST
23	6.362-533.0	Gredzenblīve 14,0 X 1,5-NBR 70	3.000	ST
24	4.591-038.0	Overflow valve	1.000	ST
27	5.110-630.0	Uzmava	1.000	ST
28	7.314-629.0	Rievota tapa 2x10 -A1 ISO 8742	1.000	ST
29	5.583-147.0	Valve screw	1.000	ST
30	6.362-468.0	Gredzenblīve, pilns komplekts 1ST.-R.	1.000	ST
31	4.291-014.0	Spindle complete	1.000	ST
32	5.322-095.0	Handhold yellow RAL 1018	1.000	ST
33	4.744-168.0	Switch complete	1.000	ST
34	5.034-494.0	Retaining bracket	1.000	ST
35	6.362-078.0	Gredzenblīve 13,3x2,4	1.000	ST
36	5.443-229.0	Hose stem	1.000	ST
37	5.310-065.0	Nut	1.000	ST
38	6.421-349.3	Pressure guage	1.000	ST
100	2.885-242.0	Pump set HD 6/15 C	1.000	ST



15

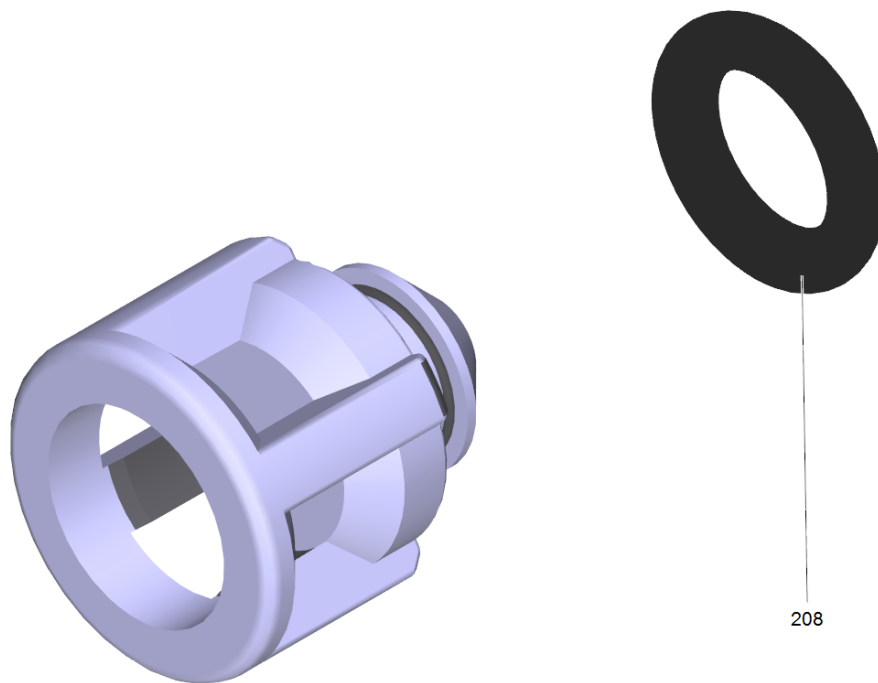
4 Valve (3 Stück) from 2.885-299.0 (2.884-916.0)

POS	Preces Nr.	Apraksts	Quantity	Unit
15	6.362-077.0	Gredzenblīve 10 x 2,2 NBR 70	1.000	ST



11 Spare part (4.132-007.0)

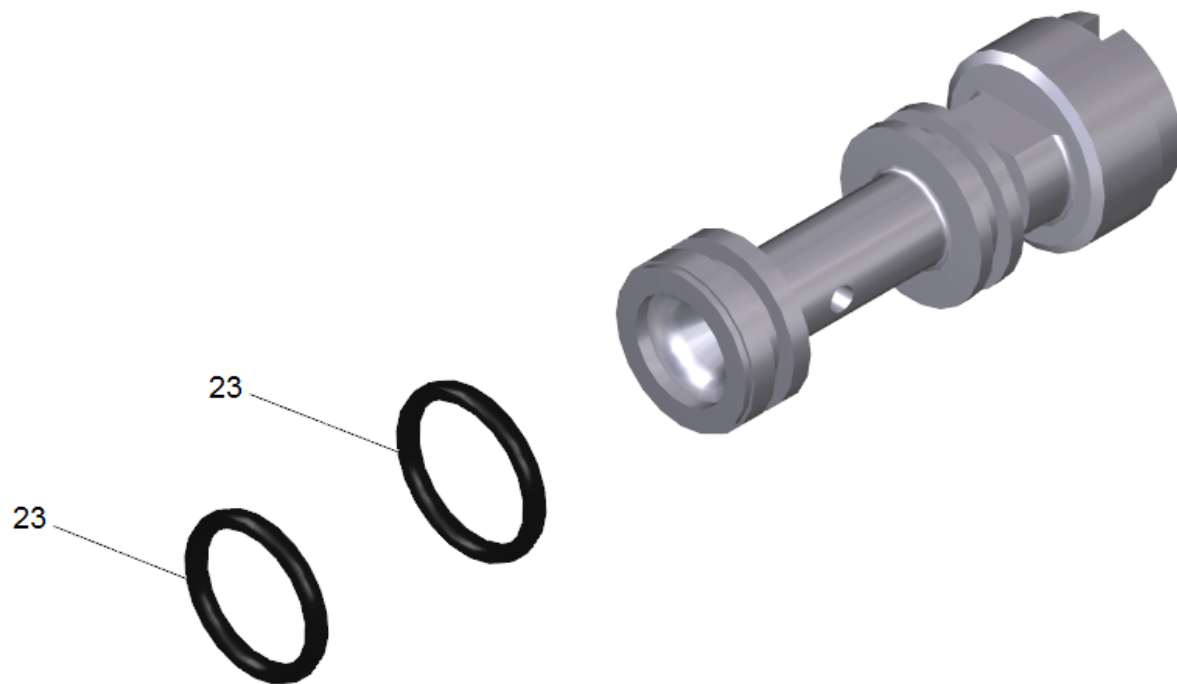
POS	Preces Nr.	Apraksts	Quantity	Unit
18	6.362-458.0	Gredzenblīve 11,0x2,0-NBR 70	1.000	ST



208

20 Valve pin complete (4.584-022.0)

POS	Preces Nr.	Apraksts	Quantity	Unit
208	6.363-613.0	Gredzenblīve 4 x 2 -NBR90	1.000	ST

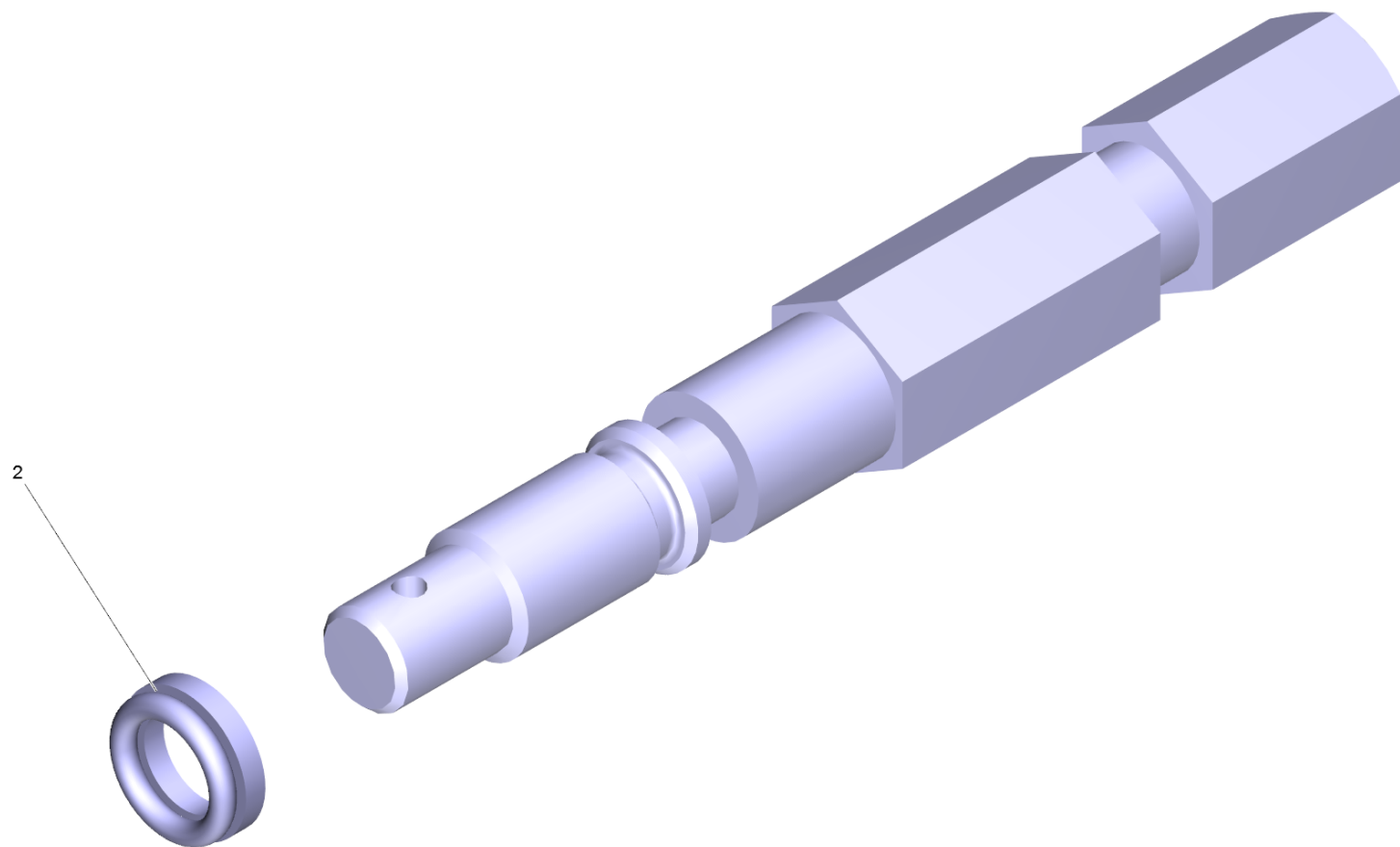


21 Nozzle insert only for replacement (4.769-034.0)

POS	Preces Nr.	Apraksts	Quantity	Unit
23	6.362-384.0	Gredzenblīve 9x1,5 - NBR 70	2.000	ST

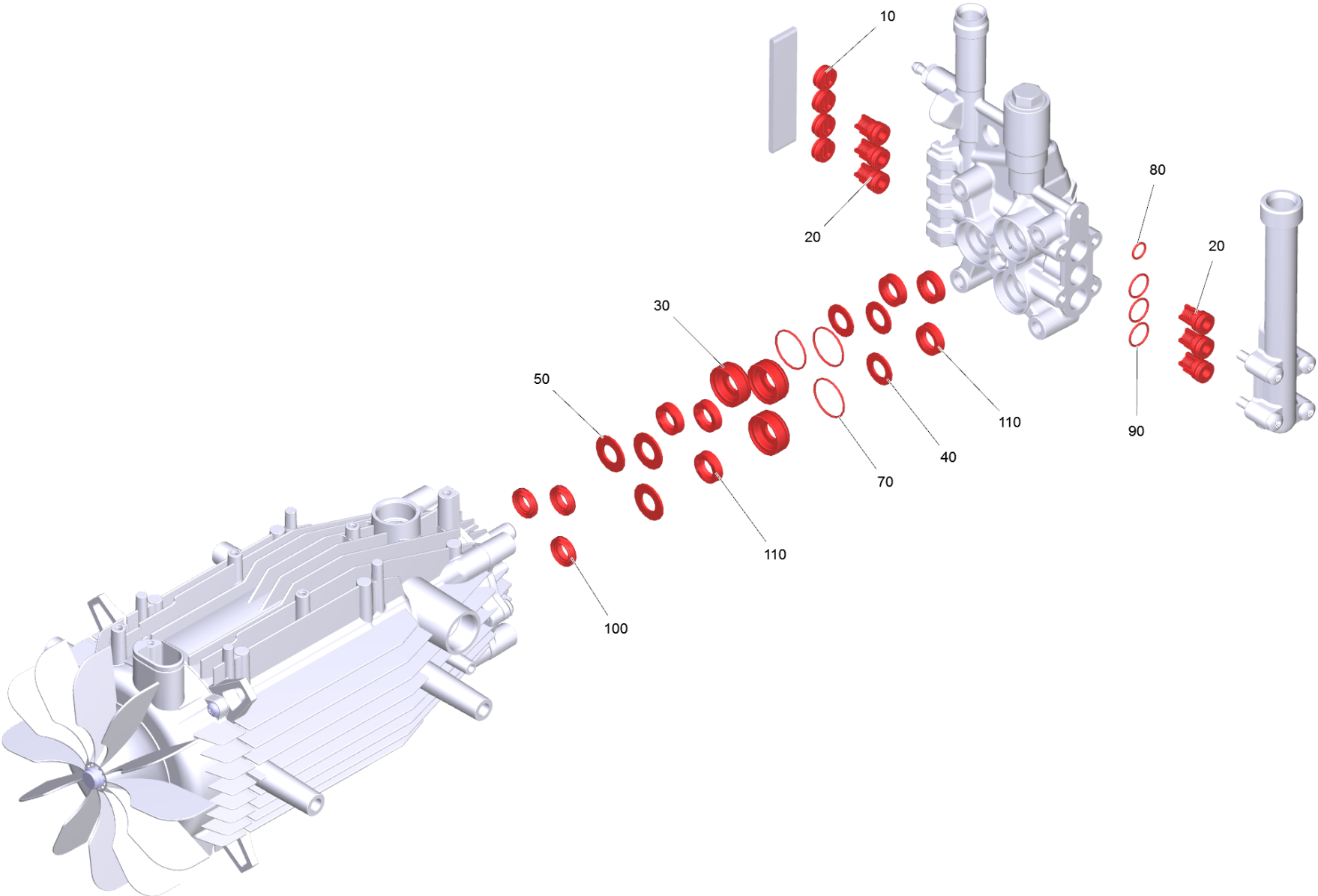
24 Overflow valve (4.591-038.0)

POS	Preces Nr.	Apraksts	Quantity	Unit
14	5.305-264.0	Shaped screw	1.000	ST
20	5.332-425.0	Helical spring	1.000	ST
26	5.553-390.0	Piston	1.000	ST
28	5.581-230.0	Valve seat	1.000	ST
42		Grease PFAE	1.000	KG
44	6.362-169.0	Gredzenblīve 12,0 X 2,0	1.000	ST
47	6.362-454.0	Gredzenblīve, pilns komplekts 2ST.-R.	1.000	ST



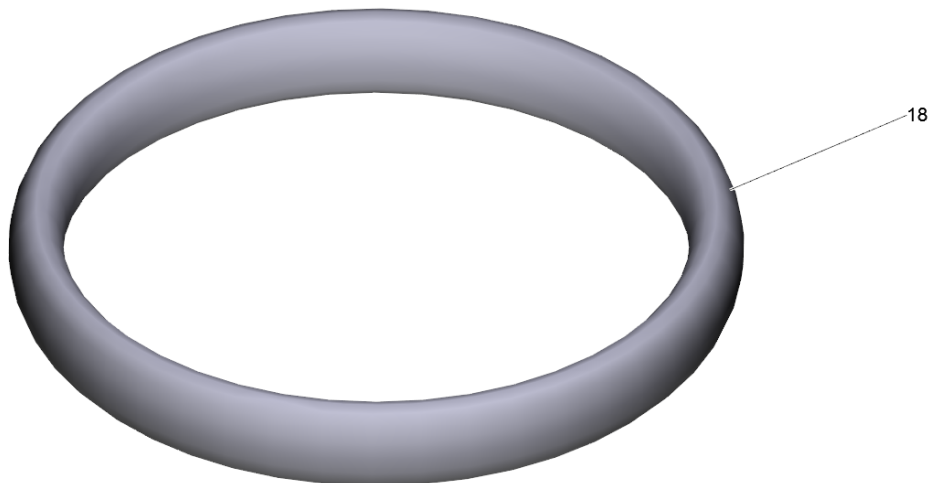
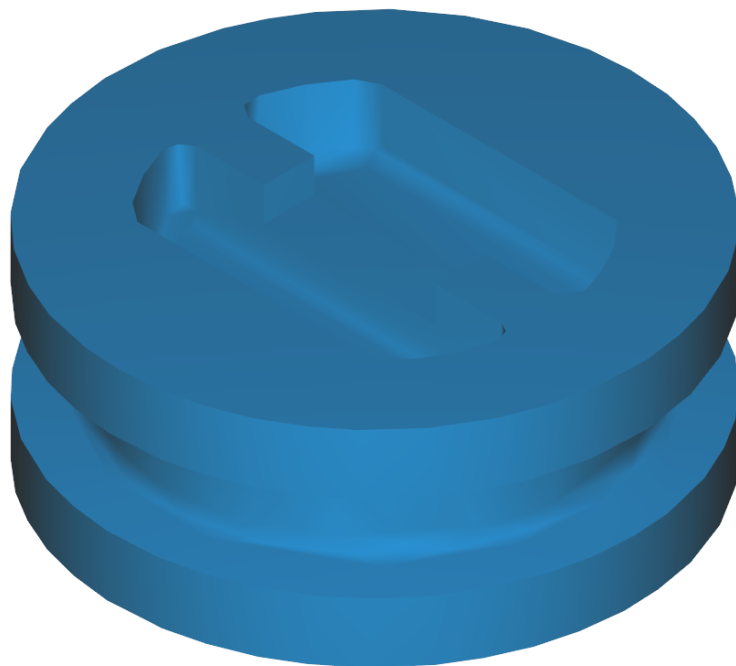
31 Spindle complete (4.291-014.0)

POS	Preces Nr.	Apraksts	Quantity	Unit
2	6.362-468.0	Gredzenblīve, pilns komplekts 1ST.-R.	1.000	ST



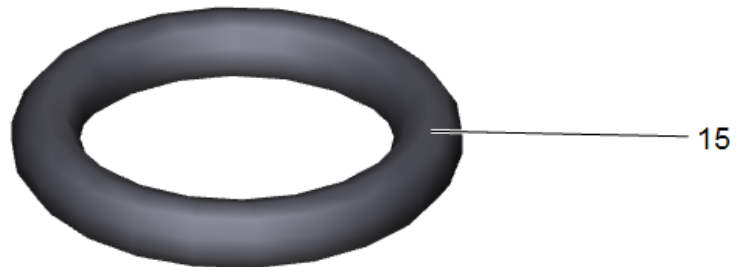
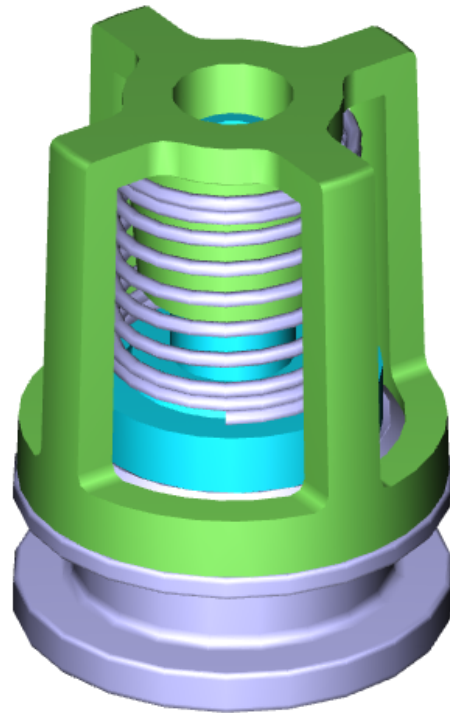
100 Pump set HD 6/15 C (2.885-242.0)

POS	Preces Nr.	Apraksts	Quantity	Unit
10	4.132-007.0	Spare part	4.000	ST
20	2.884-916.0	Valve (3 Stück) from 2.885-299.0	2.000	ST
30	5.112-726.0	Bukse	3.000	ST
40	5.115-721.0	Paplāksne	3.000	ST
50	5.116-093.0	Paplāksne	3.000	ST
60	6.288-072.0	Silikona smērviela	1.000	ST
70	6.362-376.0	Gredzenblīve 24,0 X 1,5	3.000	ST
80	6.362-384.0	Gredzenblīve 9x1,5 - NBR 70	1.000	ST
90	6.362-533.0	Gredzenblīve 14,0 X 1,5-NBR 70	3.000	ST
100	6.365-393.0	Gredzens ar rievu 12x20x4/6	3.000	ST
110	6.365-563.0	Gredzens ar gropi	6.000	ST



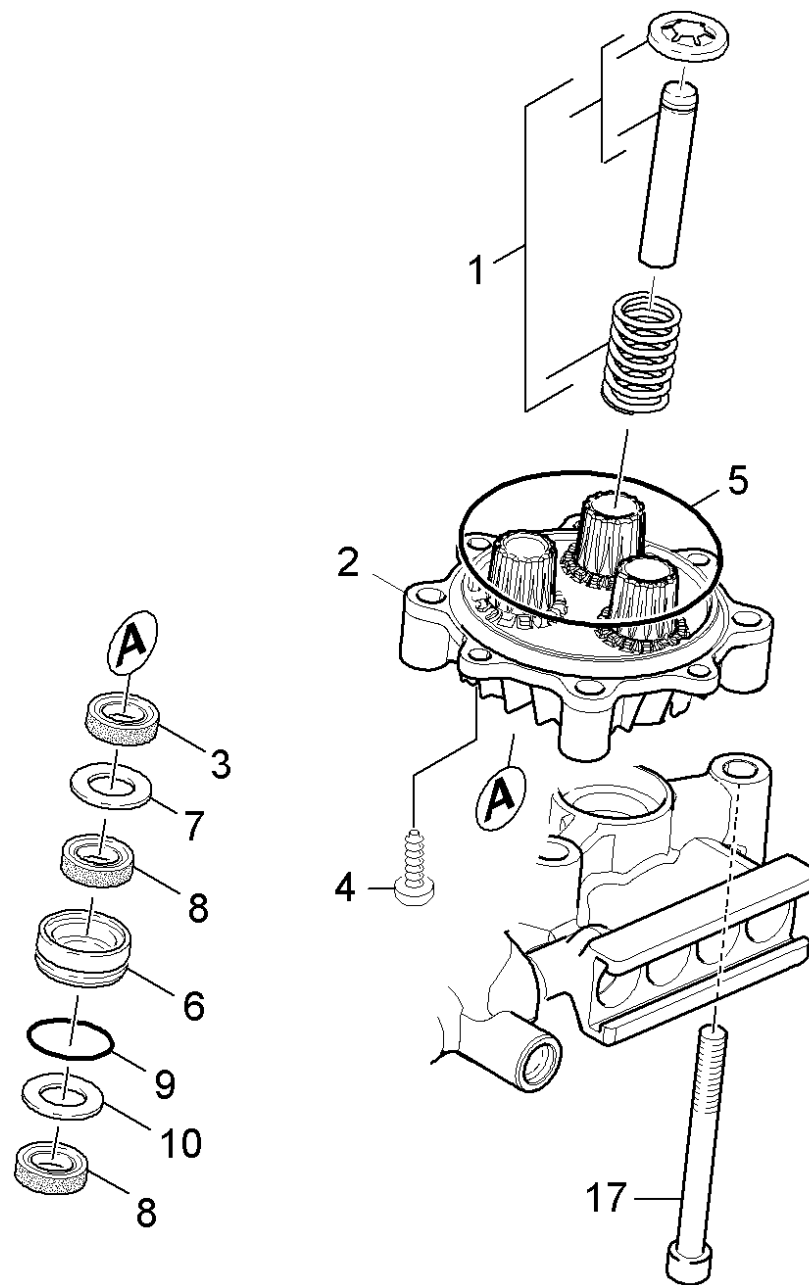
10 Spare part (4.132-007.0)

POS	Preces Nr.	Apraksts	Quantity	Unit
18	6.362-458.0	Gredzenblīve 11,0x2,0-NBR 70	1.000	ST



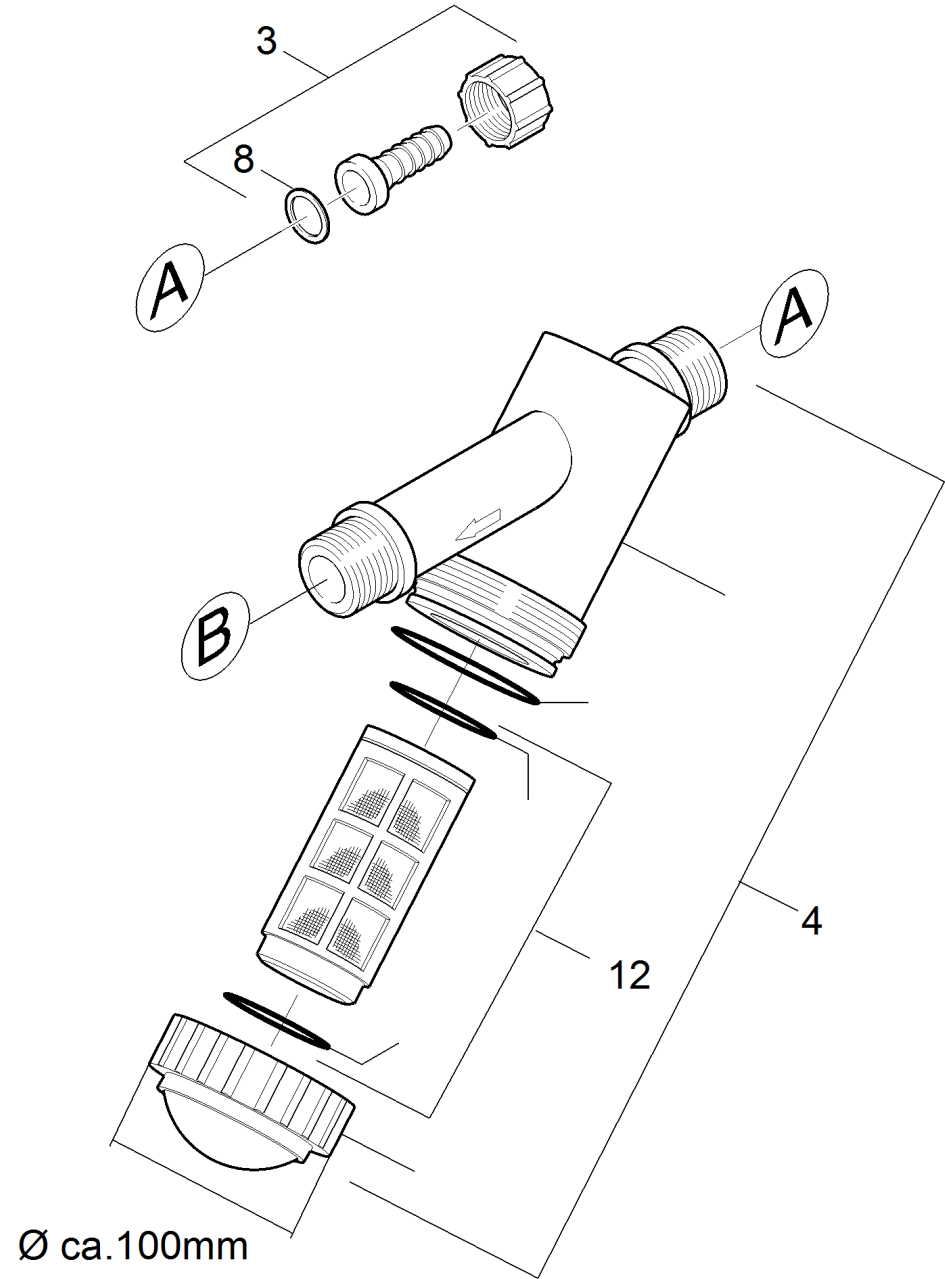
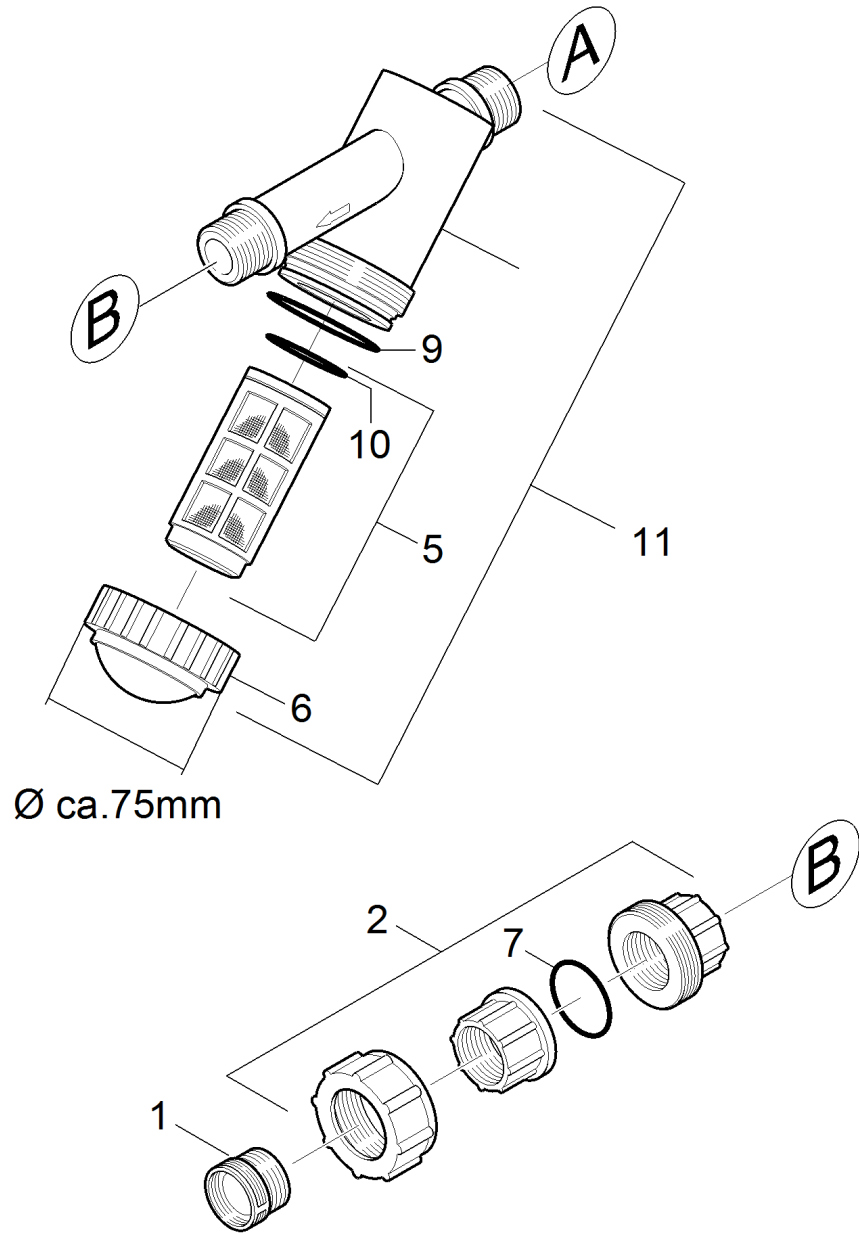
20 Valve (3 Stück) from 2.885-299.0 (2.884-916.0)

POS	Preces Nr.	Apraksts	Quantity	Unit
15	6.362-077.0	Gredzenblīve 10 x 2,2 NBR 70	1.000	ST



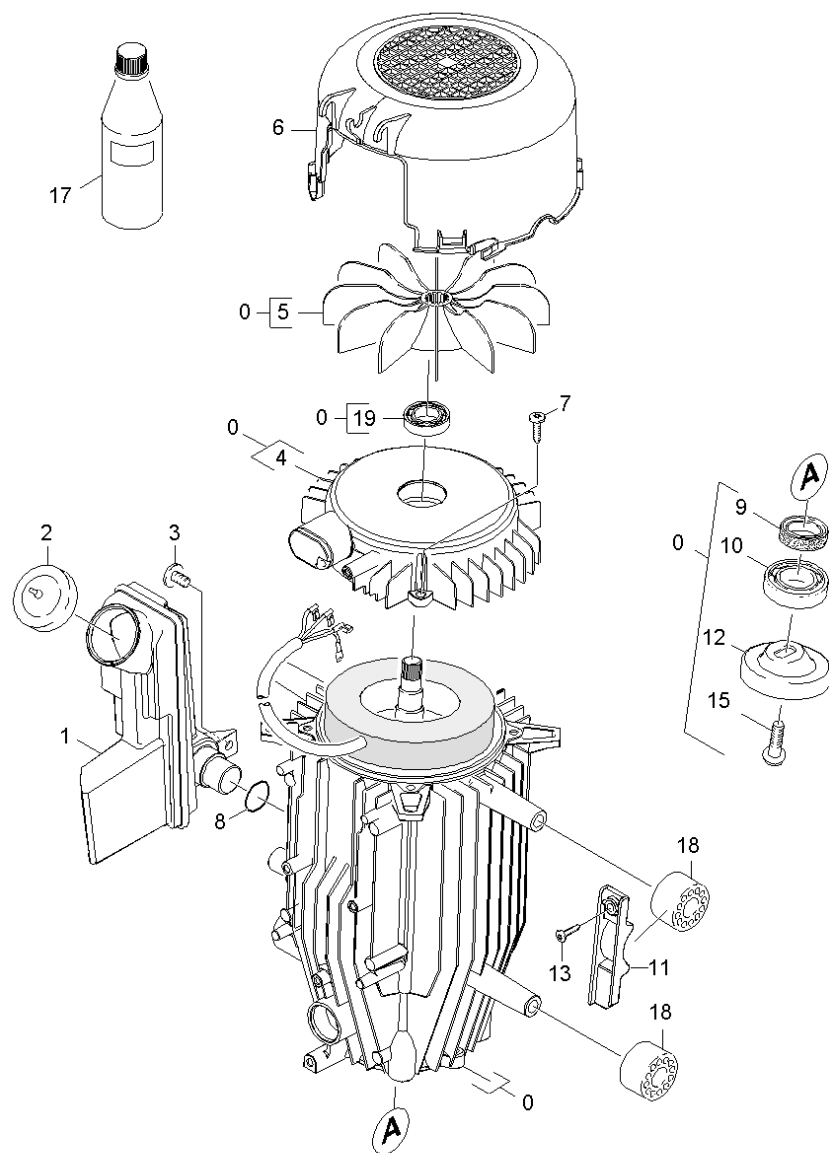
22 Thrust guidance

POS	Preces Nr.	Apraksts	Quantity	Unit
1	4.553-306.0	Piston -nur fuer Ersatz-	3.000	ST
2	5.061-018.3	Taisnvirziena vadotne	1.000	ST
3	6.365-001.0	Grooved ring	3.000	ST
4	7.303-047.0	Screw M6x16 -St-R3R (In6Rd)	2.000	ST
5	6.363-077.0	O-Ring seal 75x3	1.000	ST
6	5.112-726.0	Bukse	3.000	ST
7	5.116-093.0	Paplāksne	3.000	ST
8	6.365-563.0	Gredzens ar gropi	6.000	ST
9	6.362-376.0	Gredzenblīve 24,0 X 1,5	3.000	ST
10	5.115-721.0	Paplāksne	3.000	ST
17	7.306-106.0	Cil. galvas skr. M8x70 -8.8-A2E ISO4	4.000	ST



23 Water filter

POS	Preces Nr.	Apraksts	Quantity	Unit	Zemsvītras piezīme
1	6.385-877.0	Reduction 1"/3/4"	1.000	ST	
2	6.390-783.0	Screw connector complete	1.000	ST	
3	6.390-784.0	Connection nipple complete	1.000	ST	
4	6.414-682.0	Water filter 120 mesh	1.000	ST	NEW VERSION
5	6.414-681.0	Filter cartridge	1.000	ST	
6	6.414-679.0	Filter cup	1.000	ST	
7	6.362-917.0	O-Ring seal 32,5 X 3,5	1.000	ST	
8	7.545-063.0	Joint ring 3-DS-VITON DIN14306	1.000	ST	
9	6.472-374.0	O-Ring seal 54,0 X 2,5 NBR	1.000	ST	
10	6.363-053.0	O-Ring seal 40,0 X 2,5	1.000	ST	
11	7.777-999.0	Stockpiling discontinued	1.000	ST	
12	6.070-032.0	Filter cartridge only for replacement	1.000	ST	

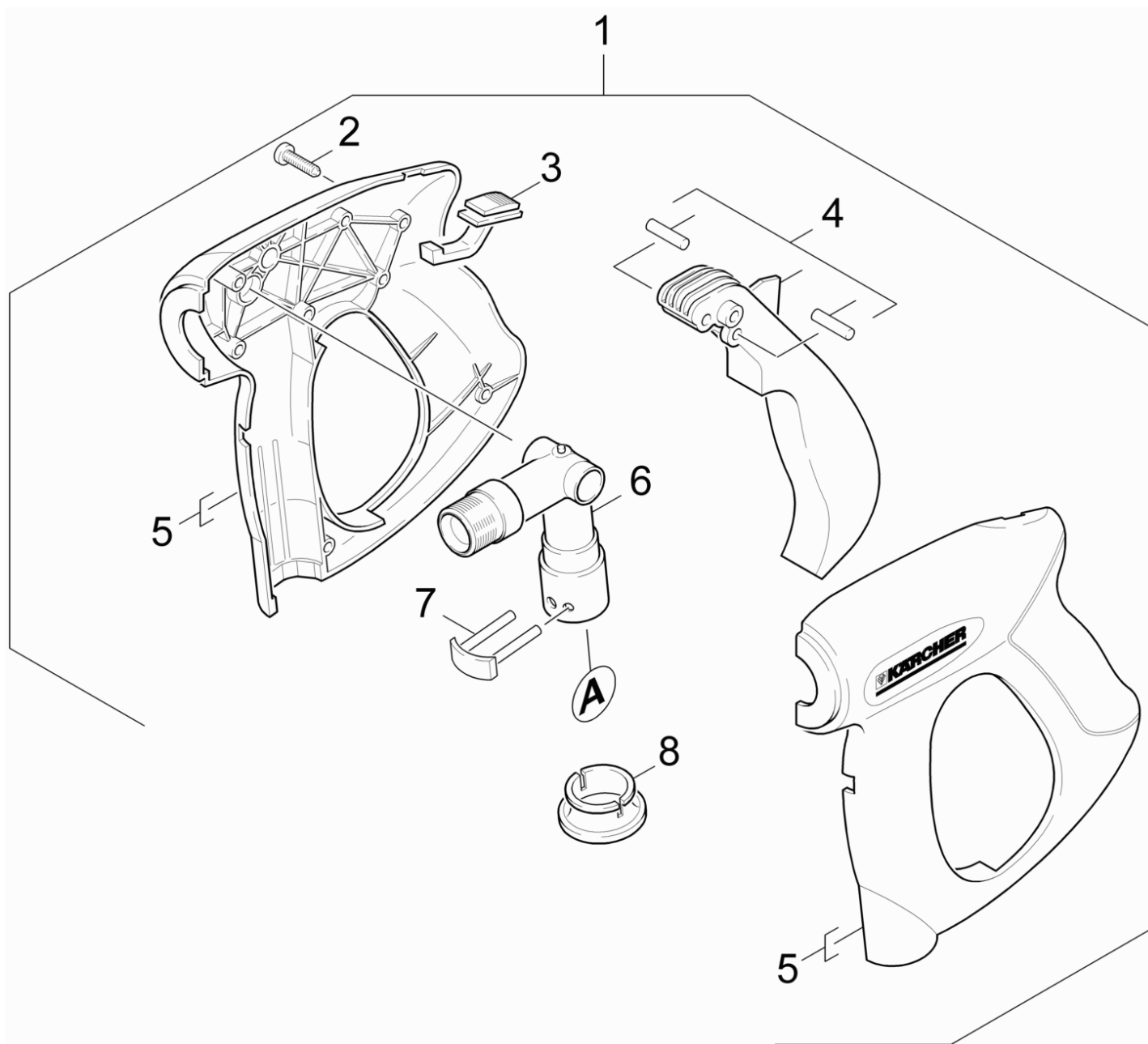


30 Motor

POS	Preces Nr.	Apraksts	Quantity	Unit
0	4.623-675.0	motor complete	1.000	ST
1	5.070-639.0	Eļļas tvertne	1.000	ST
2	5.064-457.0	cover plate qusty grey oil	1.000	ST
3	6.303-153.0	Screw M5x15-ST-R2R (IN6RD)	1.000	ST
4	5.094-148.0	Gultņa vāks B	1.000	ST
5	5.600-060.0	Darbrats	1.000	ST
6	5.692-081.0	Gaisa cirkulācija	1.000	ST
7	6.303-320.0	Screw M 5x 20-St-R2R	4.000	ST
8	6.362-161.0	Gredzenblīve 19,3 X 2,4	1.000	ST
9	7.367-001.0	Vārpstas blīvslēgs A24x37x7 -NBR DI	1.000	ST
10	6.401-427.0	Angular contact ball bearing	1.000	ST
11	5.802-288.0	Mounting part	2.000	ST
12	6.401-307.3	Slīpā paplāksne	1.000	ST
13	7.303-108.0	Skrūve 5x20 -10.9-R2R (In6Rd)	2.000	ST
15	9.086-169.0	Wobble plate screw M8x16	1.000	ST
17	6.288-050.0	Transmisijas eļļa 1 l	1.000	ST
18	5.767-005.0	Gumijas buferis	4.000	ST
19	7.401-128.0	Lod.gultnis 6202-2RS -Wälzl.St DIN 625	1.000	ST

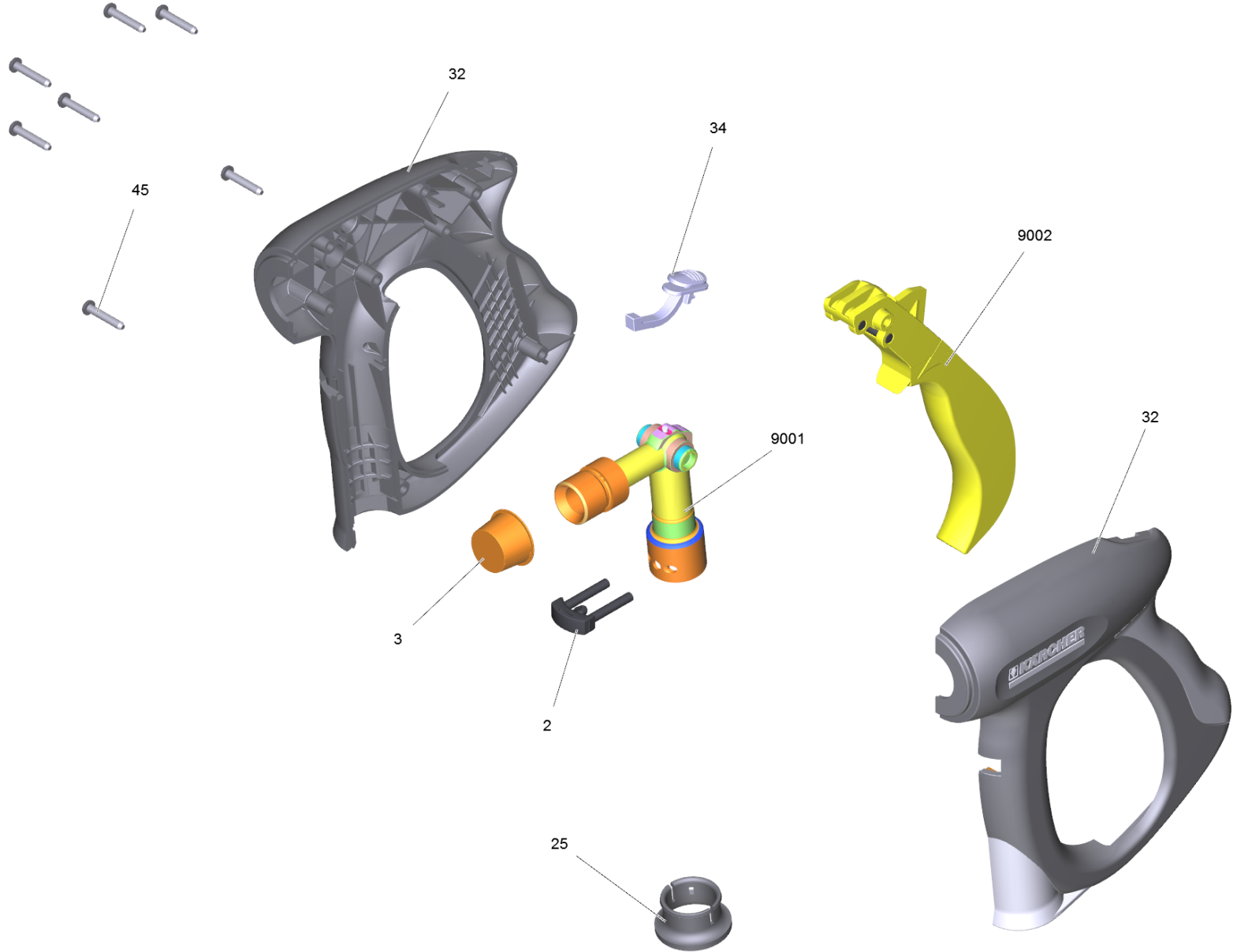
40 Accessories

POS	Apraksts	Quantity	Unit
41	Hand trigger gun	1.000	ST
42	High pressure hose	1.000	ST
43	Jet pipe	1.000	ST
44	Triple jet nozzle	1.000	ST



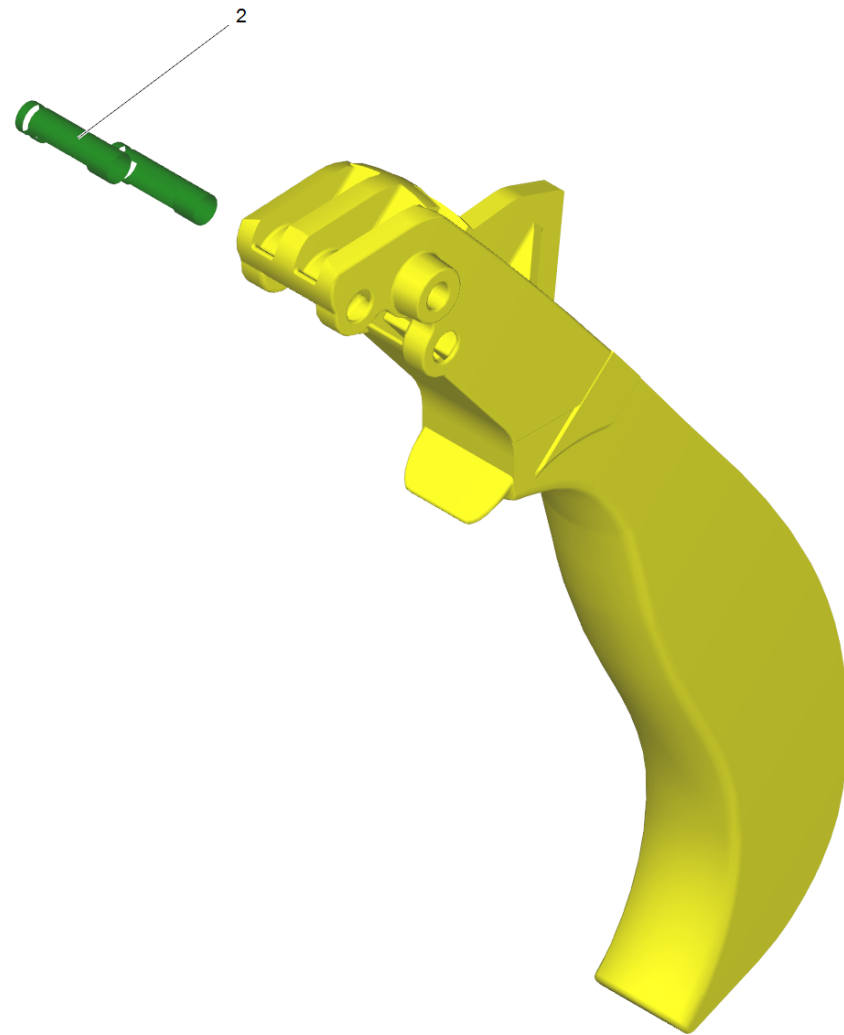
41 Hand trigger gun

POS	Preces Nr.	Apraksts	Quantity	Unit
1	4.775-463.0	Hand Trigger Gun	1.000	ST
2	7.303-096.0	Skrūve 4x22 -ST-10.9-R2R (IN6RD)	7.000	ST
3	5.481-331.0	Slīdnis	1.000	ST
4	4.481-209.0	level complete	1.000	ST
5	5.321-669.3	Tureklis	1.000	ST
6	4.427-215.0	Spare part	1.000	ST
7	4.037-013.0	Spare part	1.000	ST
8	5.110-596.0	Uzmava	1.000	ST



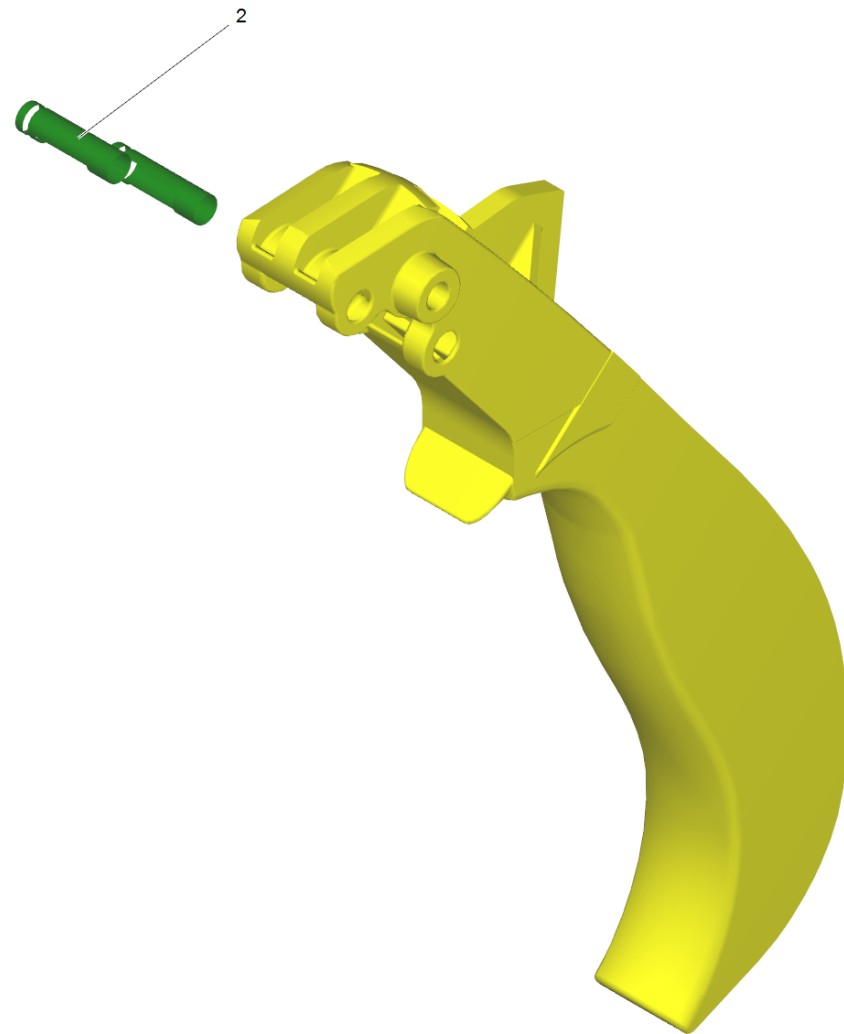
1 Hand Trigger Gun (4.775-463.0)

POS	Preces Nr.	Apraksts	Quantity	Unit
2	4.037-013.0	Spare part	1.000	ST
3	6.368-012.0	Protecting cap 22X1,5	1.000	ST
4	6.869-075.0	Metal bonding agent 1,5 ml	1.000	ST
25	5.110-596.0	Uzmava	1.000	ST
32	5.321-669.3	Tureklis	1.000	ST
34	5.481-331.0	Slīdnis	1.000	ST
45	7.303-096.0	Skrūve 4x22 -ST-10.9-R2R (IN6RD)	7.000	ST
1041	6.288-044.0	Silikona smērviena	1.000	ST
9001	4.427-215.0	Spare part	1.000	ST
9002	4.481-209.0	level complete	1.000	ST



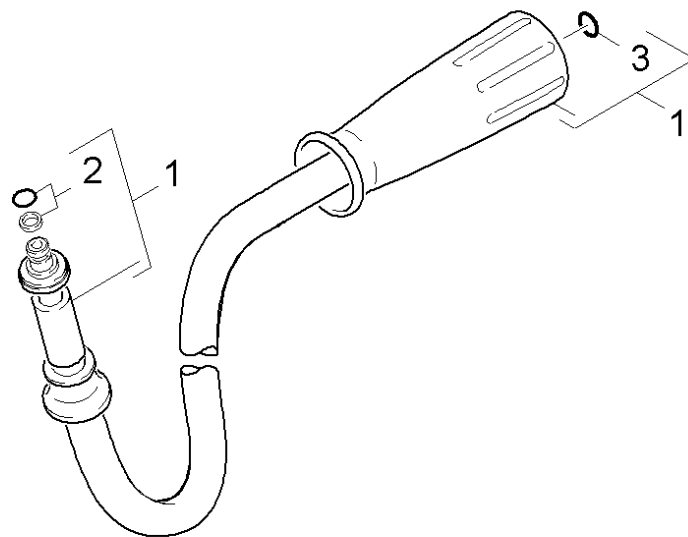
9002 level complete (4.481-209.0)

POS	Preces Nr.	Apraksts	Quantity	Unit
2	5.314-119.0	Pin	2.000	ST



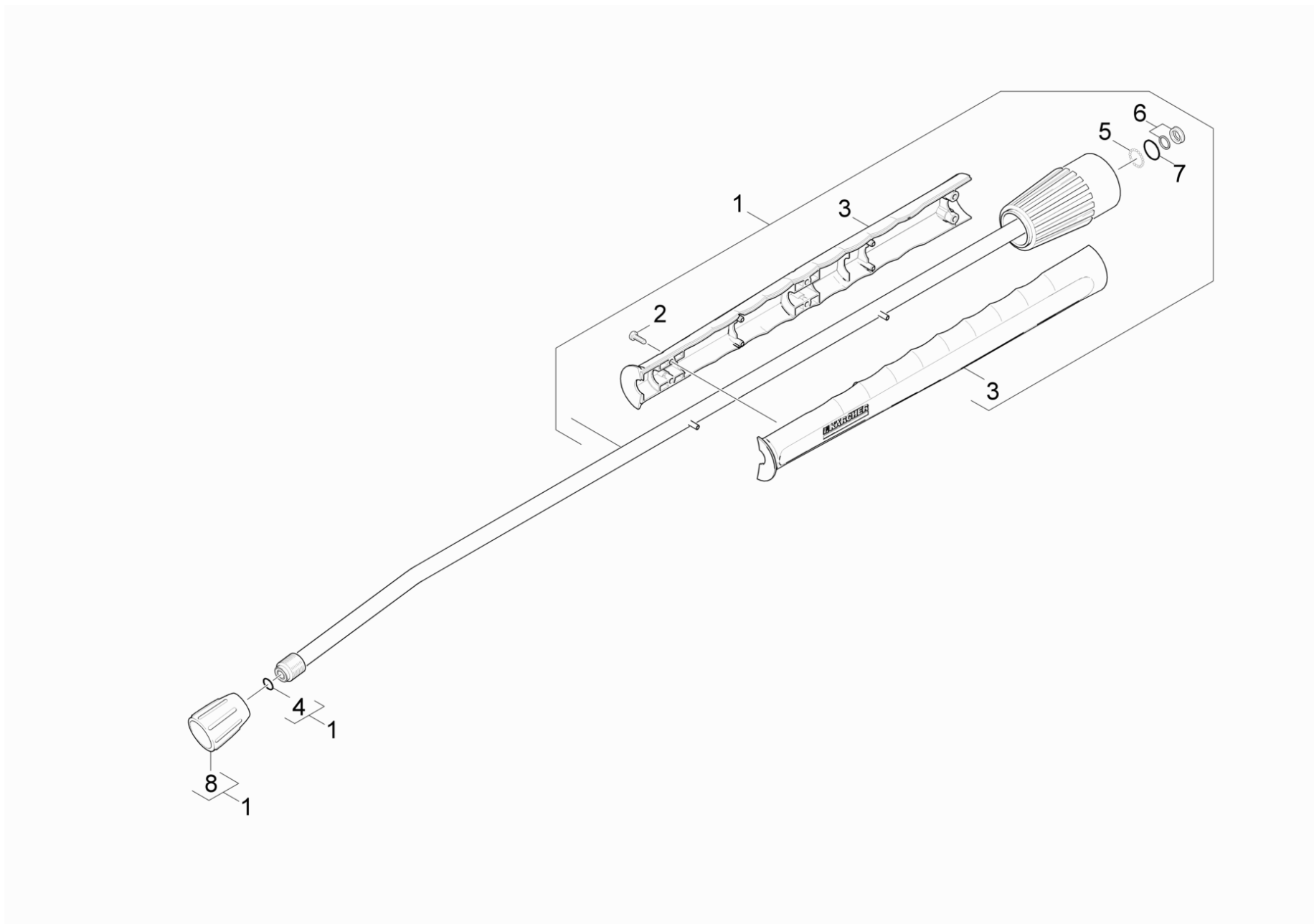
4 level complete (4.481-209.0)

POS	Preces Nr.	Apraksts	Quantity	Unit
2	5.314-119.0	Pin	2.000	ST



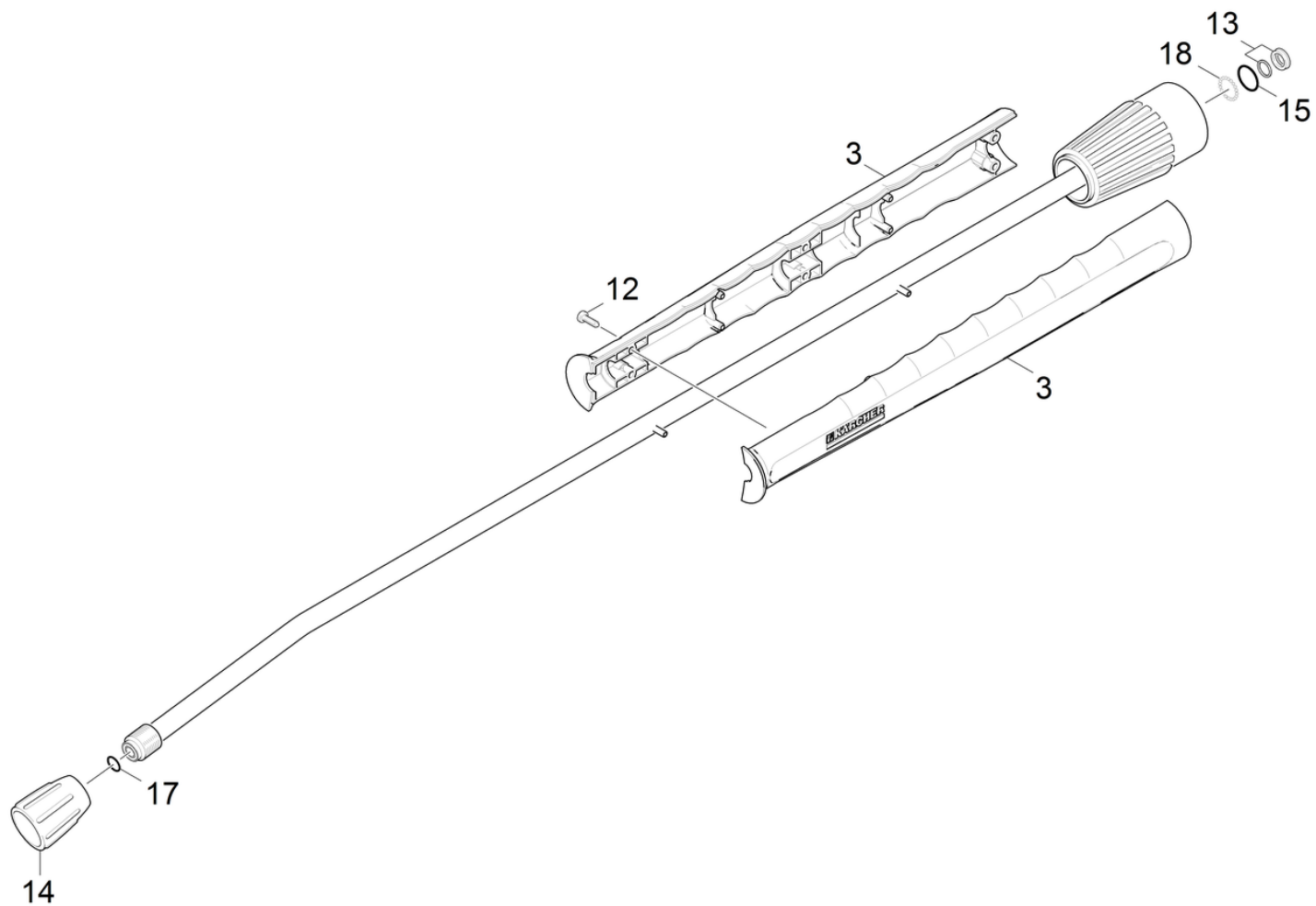
42 High pressure hose

POS	Preces Nr.	Apraksts	Quantity	Unit
1	6.391-875.0	Augstsp.šūtene Premium DN6 30MPa 10 m	1.000	ST
2	4.363-691.0	O-ring seal	1.000	ST
3	2.880-990.0	spare part set o ring from 2.880-296.0	1.000	ST



43 Jet pipe

POS	Preces Nr.	Apraksts	Quantity	Unit
1	4.760-663.0	Jet pipe packaged only for replacement	1.000	ST
2	7.303-129.0	Skrūve 4x16 -10.9-R2R (K-In6Rd)	6.000	ST
3	5.321-855.0	Stobrs ar metināto skrūvi	1.000	ST
4	2.880-990.0	spare part set o ring from 2.880-296.0	1.000	ST
5	7.401-915.0	Sfēra 2,5 G20 -1.4034 DIN 5401	20.000	ST
6	4.363-692.0	Grooved ring	1.000	ST
7	6.362-524.0	Gredzenblīve 17,0 X 1,5	1.000	ST
8	5.401-210.0	Skrūves savienotāja daļa	1.000	ST



1 Jet pipe packaged only for replacement (4.760-663.0)

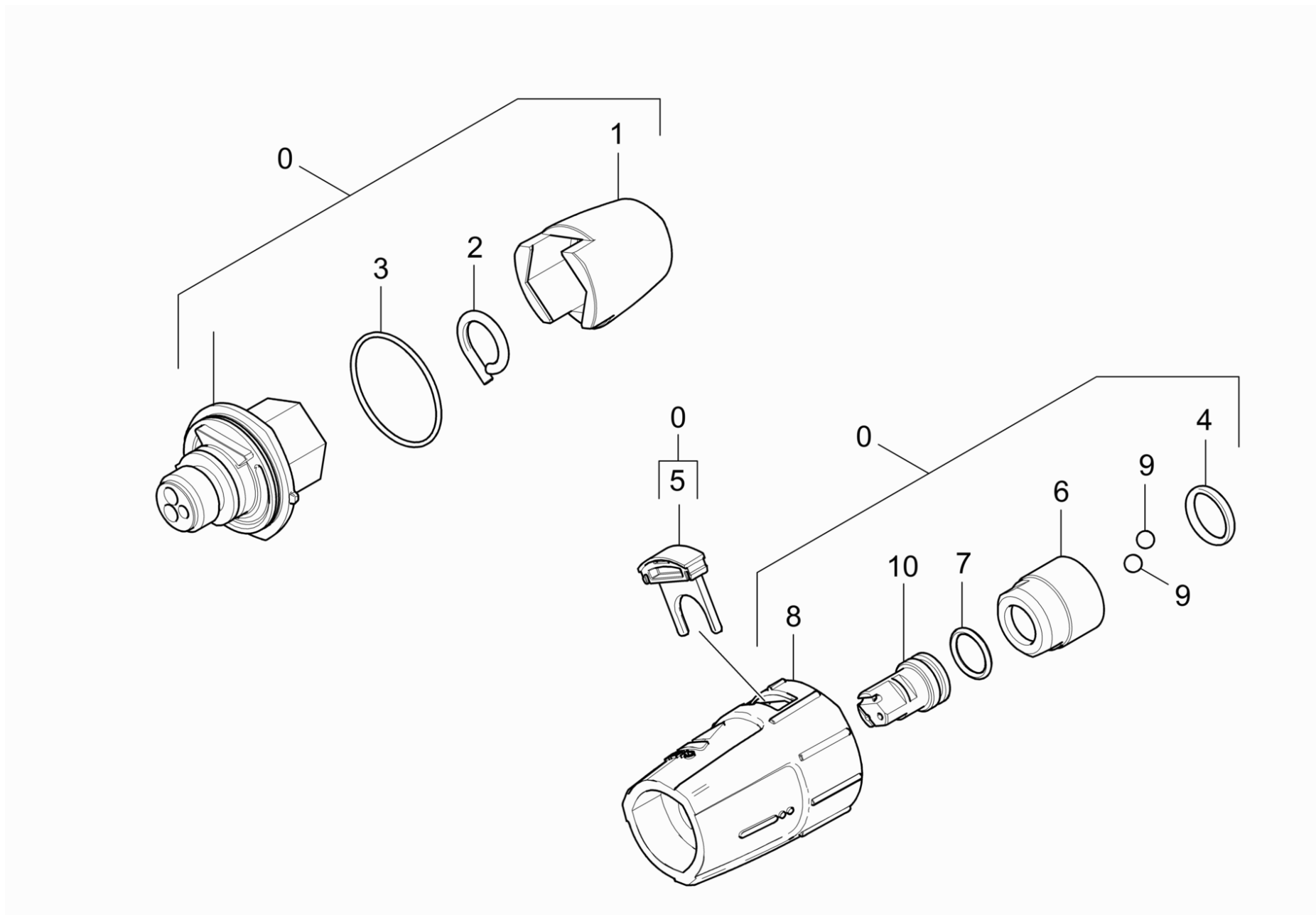
POS	Preces Nr.	Apraksts	Quantity	Unit
3	5.321-855.0	Stobrs ar metināto skrūvi	1.000	ST
12	7.303-129.0	Skrūve 4x16 -10.9-R2R (K-In6Rd)	6.000	ST
13	4.363-692.0	Grooved ring	1.000	ST
14	5.401-210.0	Skrūves savienotāja daļa	1.000	ST
15	6.362-524.0	Gredzenblīve 17,0 X 1,5	1.000	ST
17	7.362-501.0	O-Ring seal 10x2 EPDM 70 DIN 3770	1.000	ST
18	7.401-915.0	Sfēra 2,5 G20 -1.4034 DIN 5401	20.000	ST

14 Skrūves savienotāja daļa (5.401-210.0)

POS	Apraksts	Quantity	Unit
10	SCREW CONNECTOR PART	1.000	ST

8 Skrūves savienotāja daļa (5.401-210.0)

POS	Apraksts	Quantity	Unit
10	SCREW CONNECTOR PART	1.000	ST



44 Triple jet nozzle

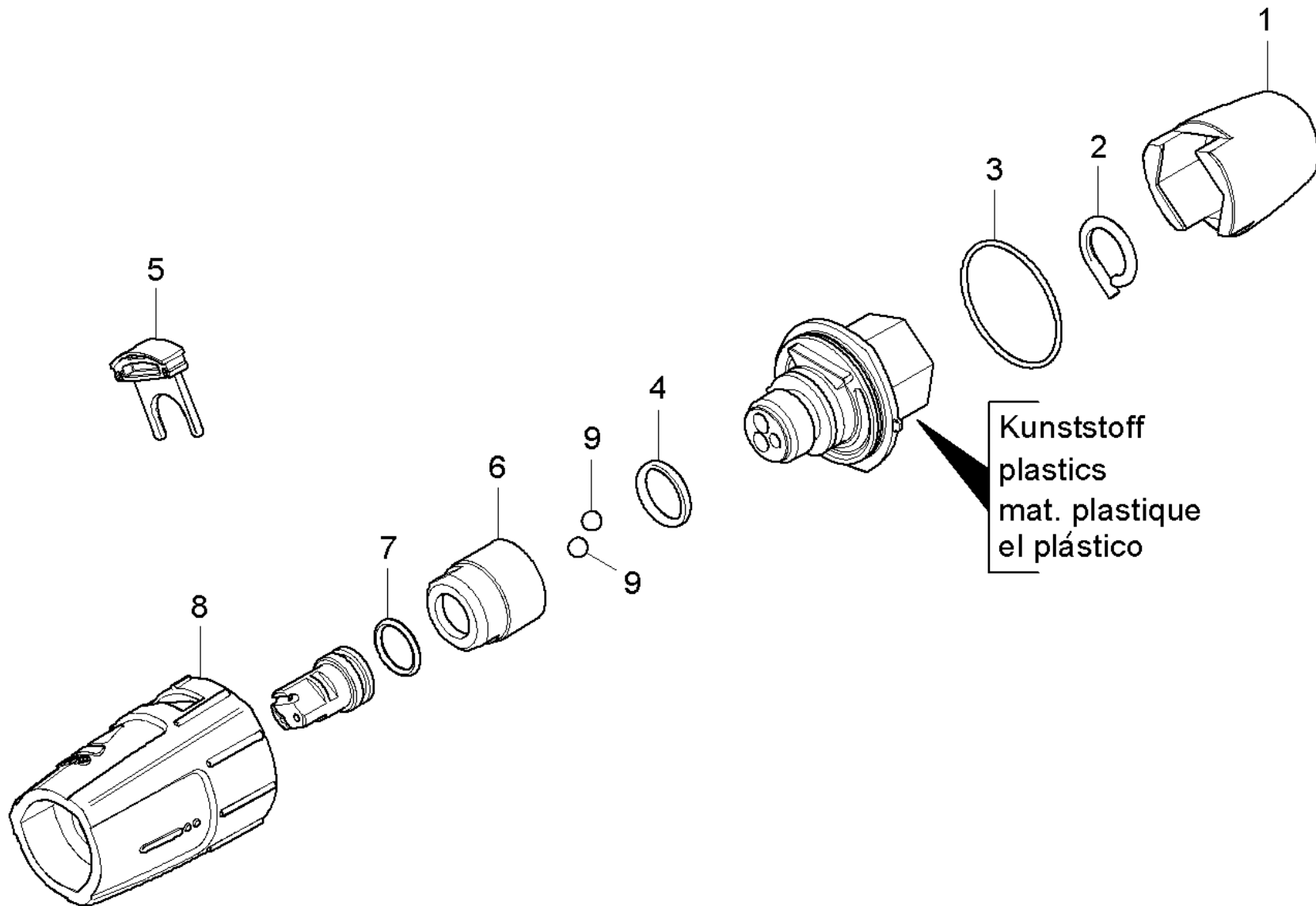
POS	Preces Nr.	Apraksts	Quantity	Unit
0	4.767-147.0	Triple jet nozzle only for replacement	1.000	ST
1	5.394-530.0	Protection part complete	1.000	ST
2	6.343-150.0	Pin 03	1.000	ST
3	6.362-409.0	O-Ring seal 32,0 X 1,5	1.000	ST
4	6.362-460.0	Gredzenblīve 14,0 X 2,5-NBR 70	1.000	ST
5	5.321-884.0	Spaile	1.000	ST
6	5.311-225.0	Nut	1.000	ST
7	6.362-480.0	Gredzenblīve 12,42x 1,78	1.000	ST
8	5.394-859.0	Aizsargdetaļa	1.000	ST
9	7.401-902.0	Sfēra 5 G20 -1.4034 DIN 5401	2.000	ST
10	5.415-600.0	Triple jet nozzle	1.000	ST

Triple jet nozzle only for replacement (4.767-147.0)

POS	Preces Nr.	Apraksts	Quantity	Unit
2	5.970-837.0	Spare parts list triple jet nozzle	1.000	ST

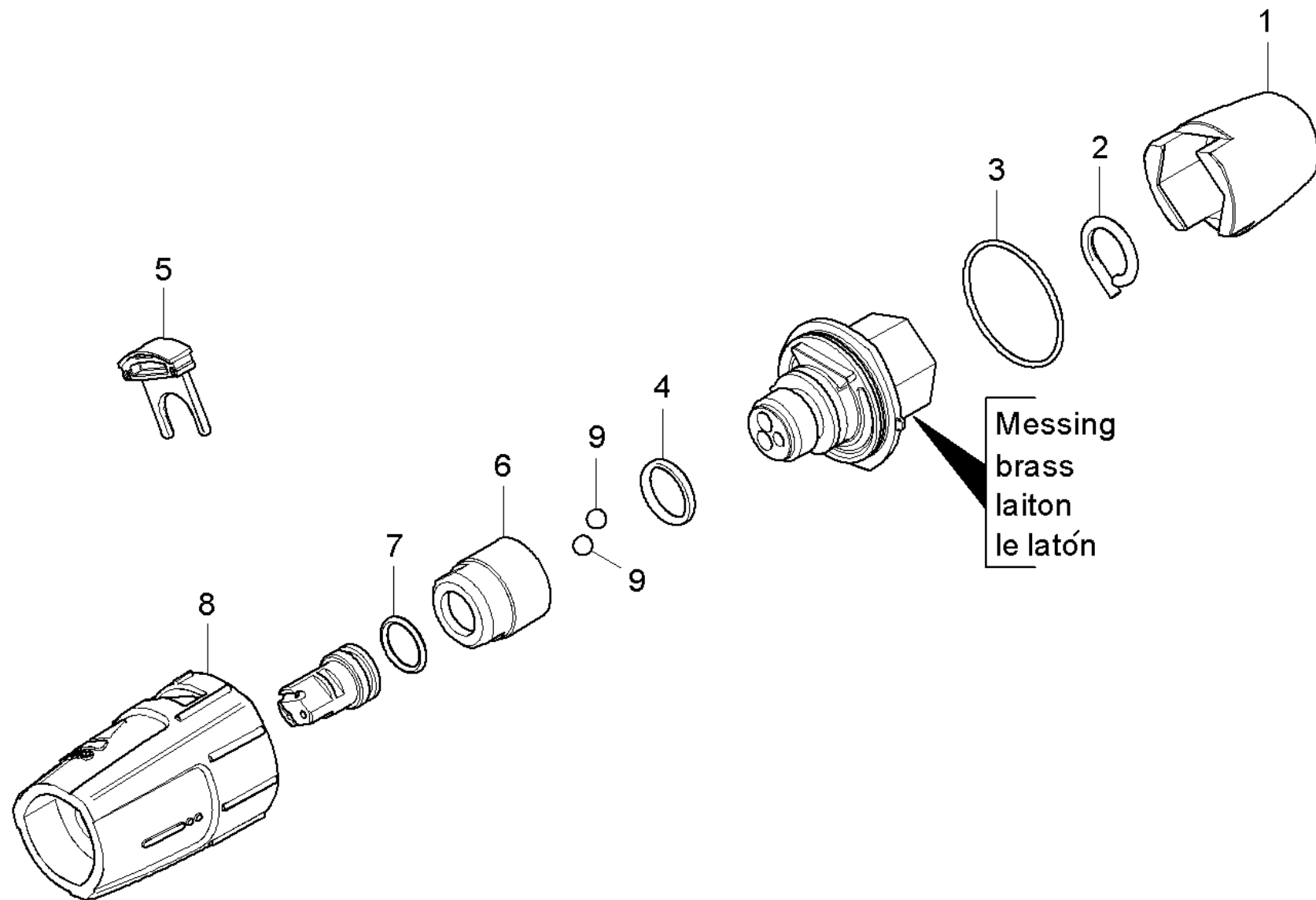
2 Spare parts list triple jet nozzle (5.970-837.0)

POS	Apraksts	Quantity	Unit
10	Triple jet nozzle plastics	1.000	ST
20	Triple jet nozzle brass	1.000	ST



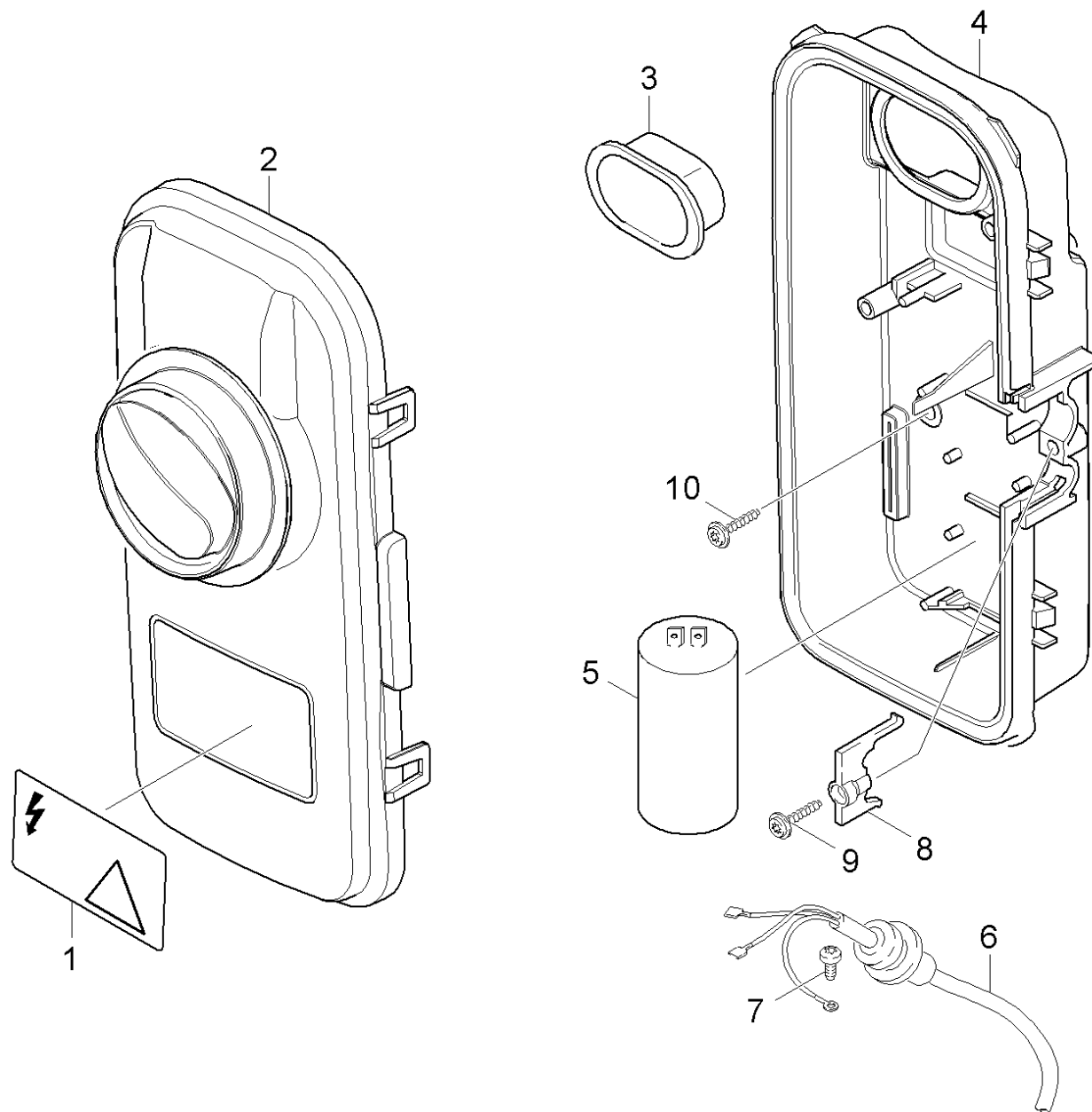
10 Triple jet nozzle plastics

POS	Preces Nr.	Apraksts	Quantity	Unit
1	5.394-530.0	Protection part complete	1.000	ST
2	6.343-150.0	Pin 03	1.000	ST
3	6.362-409.0	O-Ring seal 32,0 X 1,5	1.000	ST
4	7.362-039.0	O-Ring seal 15,5x1,5 -NBR70 DIN 3771	1.000	ST
5	5.321-884.0	Spaile	1.000	ST
6	5.311-236.0	Nut	1.000	ST
7	6.362-480.0	Gredzenblīve 12,42x 1,78	1.000	ST
8	5.394-874.0	Protection part	1.000	ST
9	7.401-902.0	Sfēra 5 G20 -1.4034 DIN 5401	2.000	ST



20 Triple jet nozzle brass

POS	Preces Nr.	Apraksts	Quantity	Unit
1	5.394-530.0	Protection part complete	1.000	ST
2	6.343-150.0	Pin 03	1.000	ST
3	6.362-409.0	O-Ring seal 32,0 X 1,5	1.000	ST
4	6.362-460.0	Gredzenblīve 14,0 X 2,5-NBR 70	1.000	ST
5	5.321-884.0	Spaile	1.000	ST
6	5.311-225.0	Nut	1.000	ST
7	6.362-480.0	Gredzenblīve 12,42x 1,78	1.000	ST
8	5.394-859.0	Aizsargdetaļa	1.000	ST
9	7.401-902.0	Sfēra 5 G20 -1.4034 DIN 5401	2.000	ST



50 Electric box

POS	Preces Nr.	Apraksts	Quantity	Unit
1	5.388-512.0	Label	1.000	ST
2	4.744-266.0	Switch from 4.744-167.0	1.000	ST
3	5.365-181.0	Gasket	1.000	ST
4	5.061-000.0	Korpuss	1.000	ST
5	6.661-298.0	Kondensators 30 mF	1.000	ST
6	6.648-906.3	Kabelis ar kontaktdakšu	1.000	ST
7	7.303-031.0	screw	1.000	ST
8	5.263-051.0	tensioning part	1.000	ST
9	6.303-200.0	Skrūve 5x25-IN6RD	1.000	ST
10	6.303-153.0	Screw M5x15-ST-R2R (IN6RD)	3.000	ST