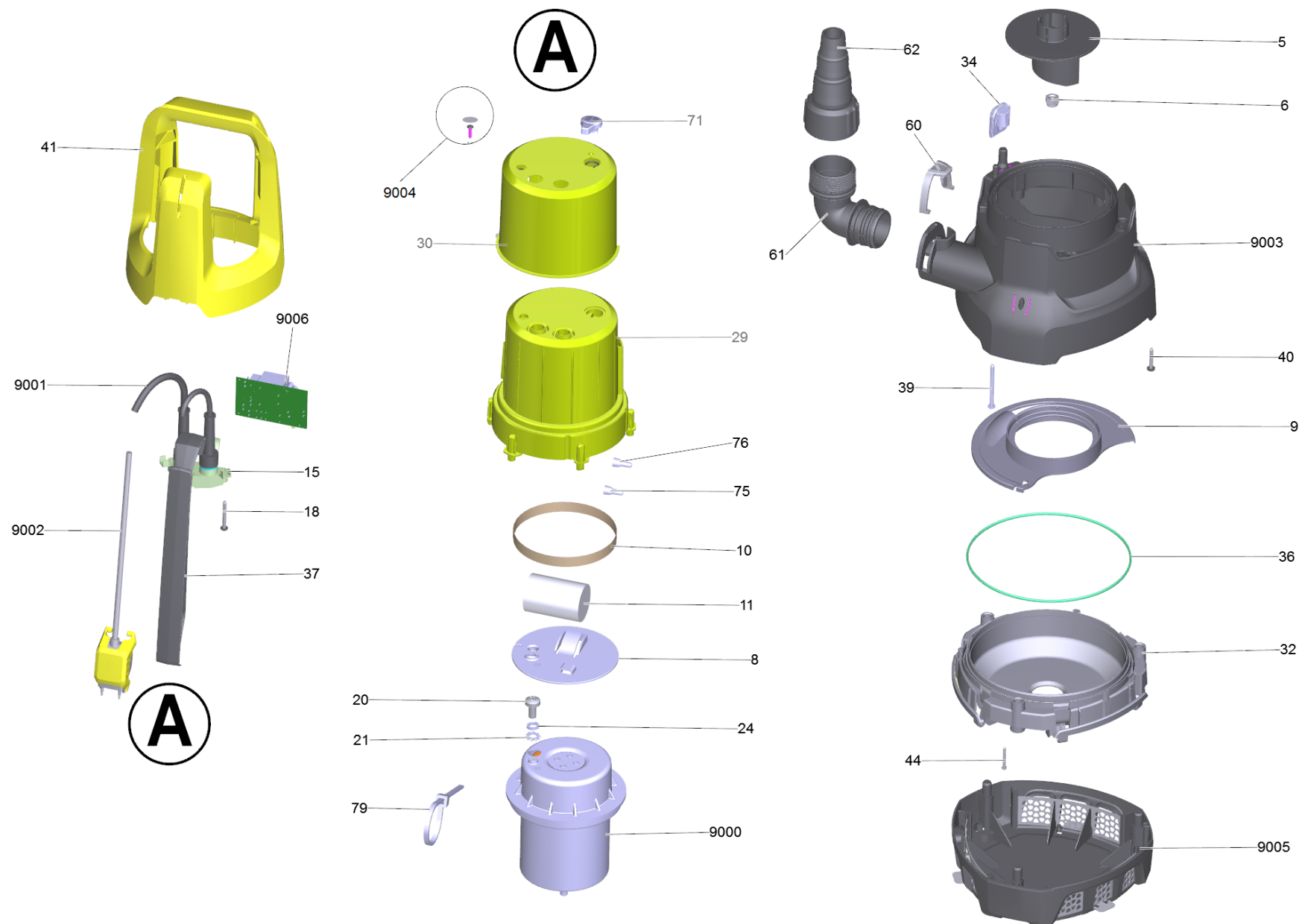


Spare parts list

(5.973-581.0) Spare parts list SP 7 Dirt Inox *EU

Table of contents

Spare parts list SP 7 Dirt Inox *EU (5.973-581.0)	3
61 Connection piece large complete 90° (4.745-032.0)	6
9000 Motor set for replacement (4.745-071.0)	8
9002 Level Sensor set for replacement (4.745-078.0)	10
9004 Screw with O-Ring seal f.Ersatz (4.645-061.0)	12

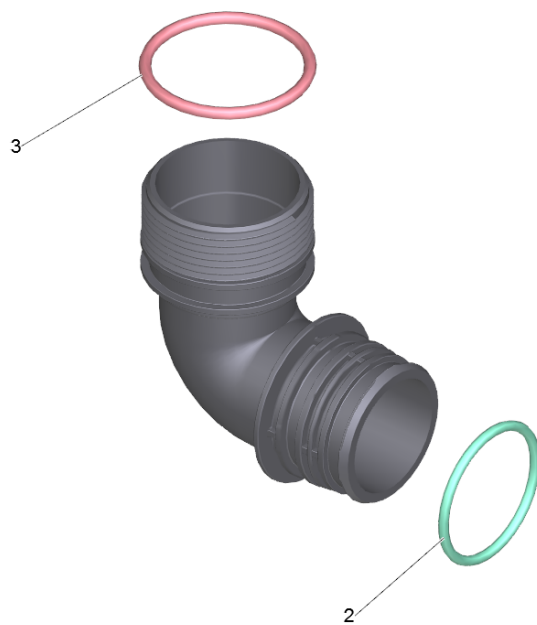


Spare parts list SP 7 Dirt Inox *EU (5.973-581.0)

POS	Article no.	Description	Quantity	Unit
15	5.745-026.0	Cable clamp	1.000	ST
9001	4.745-072.0	Cable set for replacement	1.000	ST
79	6.641-463.0	Cable tape	1.000	ST
11	6.645-480.0	Capacitor 20µF P2	1.000	ST
60	5.745-038.0	Clamp large	1.000	ST
61	4.745-032.0	Connection piece large complete 90°	1.000	ST
9006	4.745-077.0	Control circuit board for replacement	1.000	ST
32	5.745-030.0	Covering cap hydraulic dirt large	1.000	ST
10	4.745-044.0	Earthing plate completely large	1.000	ST
75	6.645-006.0	End terminal	2.000	ST
76	6.645-006.0	End terminal	2.000	ST
9	5.745-054.0	False plate large	1.000	ST
41	4.745-080.0	Handhold large for replacement	1.000	ST
6	7.311-514.0	Hexagon nut M 8-A2-70 ISO 7040	1.000	ST
62	5.745-048.0	Hose connection	1.000	ST
30	5.745-027.0	Housing motor Inox	1.000	ST
29	5.745-045.0	Housing motor plastics	1.000	ST
9003	4.745-075.0	Housing set for replacement	1.000	ST
5	5.745-036.0	Impeller SP 7	1.000	ST
8	5.745-043.0	Insulating motor large	1.000	ST
9005	4.745-074.0	Intake set for replacement - SP 7 Dirt	1.000	ST
9002	4.745-078.0	Level Sensor set for replacement	1.000	ST
71	4.745-082.0	Manual lever for replacement	1.000	ST
9000	4.745-071.0	Motor set for replacement	1.000	ST
36	6.745-038.0	O-Ring seal 160 x 3	1.000	ST
37	5.745-034.0	Rail SP 6/7 Inox	1.000	ST
40	6.645-067.0	Screw 3,9x24	10.000	ST
18	6.645-066.0	Screw 3,9x32	3.000	ST
39	6.745-044.0	Screw 3,9x50	3.000	ST
44	6.745-049.0	Screw 3x25	3.000	ST
20	7.306-205.0	Screw M4x8 -A2-70 (In6Rd)	1.000	ST
9004	4.645-061.0	Screw with O-Ring seal f.Ersatz	1.000	ST
24	6.645-664.0	Spring washer B 4	1.000	ST

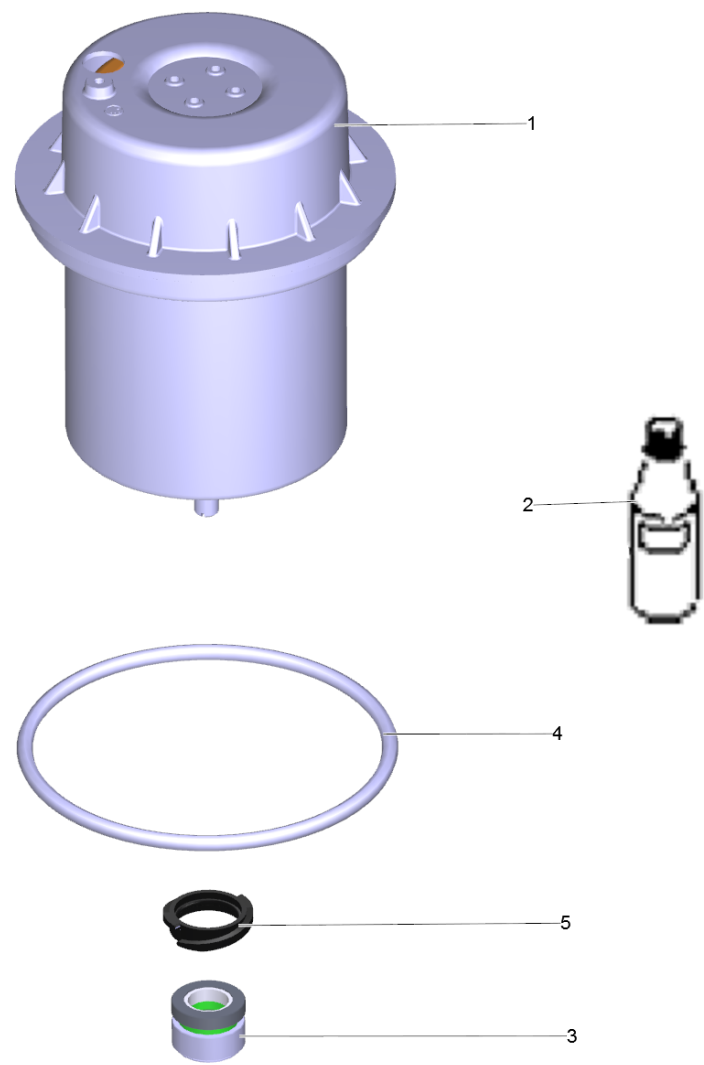
Spare parts list SP 7 Dirt Inox *EU (5.973-581.0)

POS	Article no.	Description	Quantity	Unit
21	9.086-023.0	Toothed lock washer Ø5 A2	1.000	ST
34	5.745-086.0	Ventilation rubber large	1.000	ST



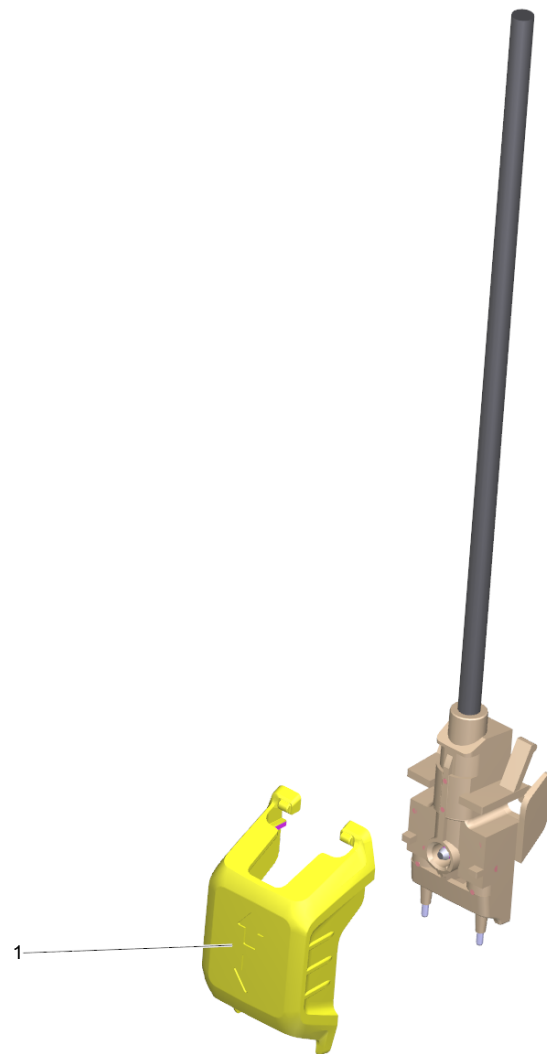
61 Connection piece large complete 90° (4.745-032.0)

POS	Article no.	Description	Quantity	Unit
2	6.745-036.0	O-Ring seal 35 x 3	1.000	ST
3	6.745-040.0	O-Ring seal 41,2 x 3,55	1.000	ST



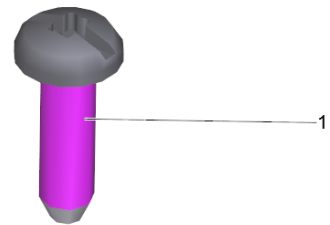
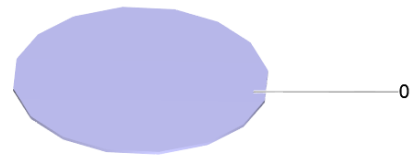
9000 Motor set for replacement (4.745-071.0)

POS	Article no.	Description	Quantity	Unit
3	4.745-083.0	Floating ring seal for replacement SP	1.000	ST
1		Motor complete SP 7	1.000	ST
4	6.745-037.0	O-Ring seal 113,67 x 5,33	1.000	ST
2	6.295-578.0	Oil 20 ml	1.000	ST
5	5.745-053.0	Oil ring	1.000	ST



9002 Level Sensor set for replacement (4.745-078.0)

POS	Article no.	Description	Quantity	Unit
1	5.745-059.0	Covering cap sensor	1.000	ST



9004 Screw with O-Ring seal f.Ersatz (4.645-061.0)

POS	Article no.	Description	Quantity	Unit
0		Label / label	1.000	ST
2	7.362-502.0	O-Ring seal 2,8x1,6-NBR 70 DIN 3770	1.000	ST
1	6.645-543.0	Oval head screw 3,5x12-10.9-R2R	1.000	ST