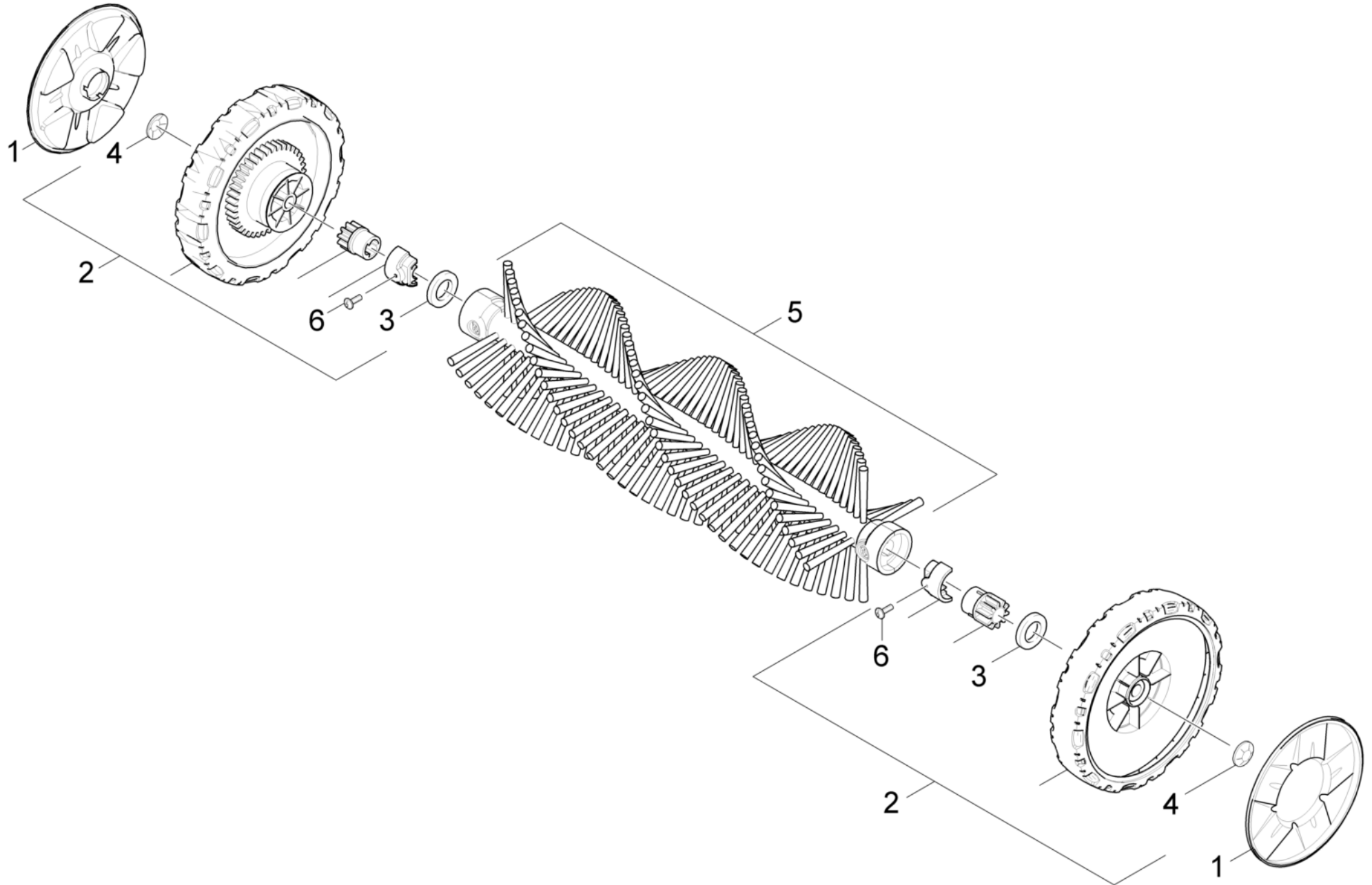


20 Reversing rolling mill

Home and Garden \ Sweepers \ Manually operated \ S 530 Hofer *EU \ Spare parts list S 530 Hofer \ Reversing rolling mill



20 Reversing rolling mill

Home and Garden \ Sweepers \ Manually operated \ S 530 Hofer *EU \ Spare parts list S 530 Hofer \ Reversing rolling mill



POS	Article no.	Description	Quantity	Unit
1	5.515-365.0	Wheel cap schwarz	2	PC
2	2.885-066.0	Spare part set wheels	1	PC
3	7.312-008.0	Washer 12-200HV-A2K ISO 7089	2	PC
4	6.343-180.0	Quick-fastener	2	PC
5	4.032-018.0	Reversing rolling mill complete	1	PC
6	7.303-084.0	Screw 4x25 -10.9-R2R (K-In6Rd)	2	PC