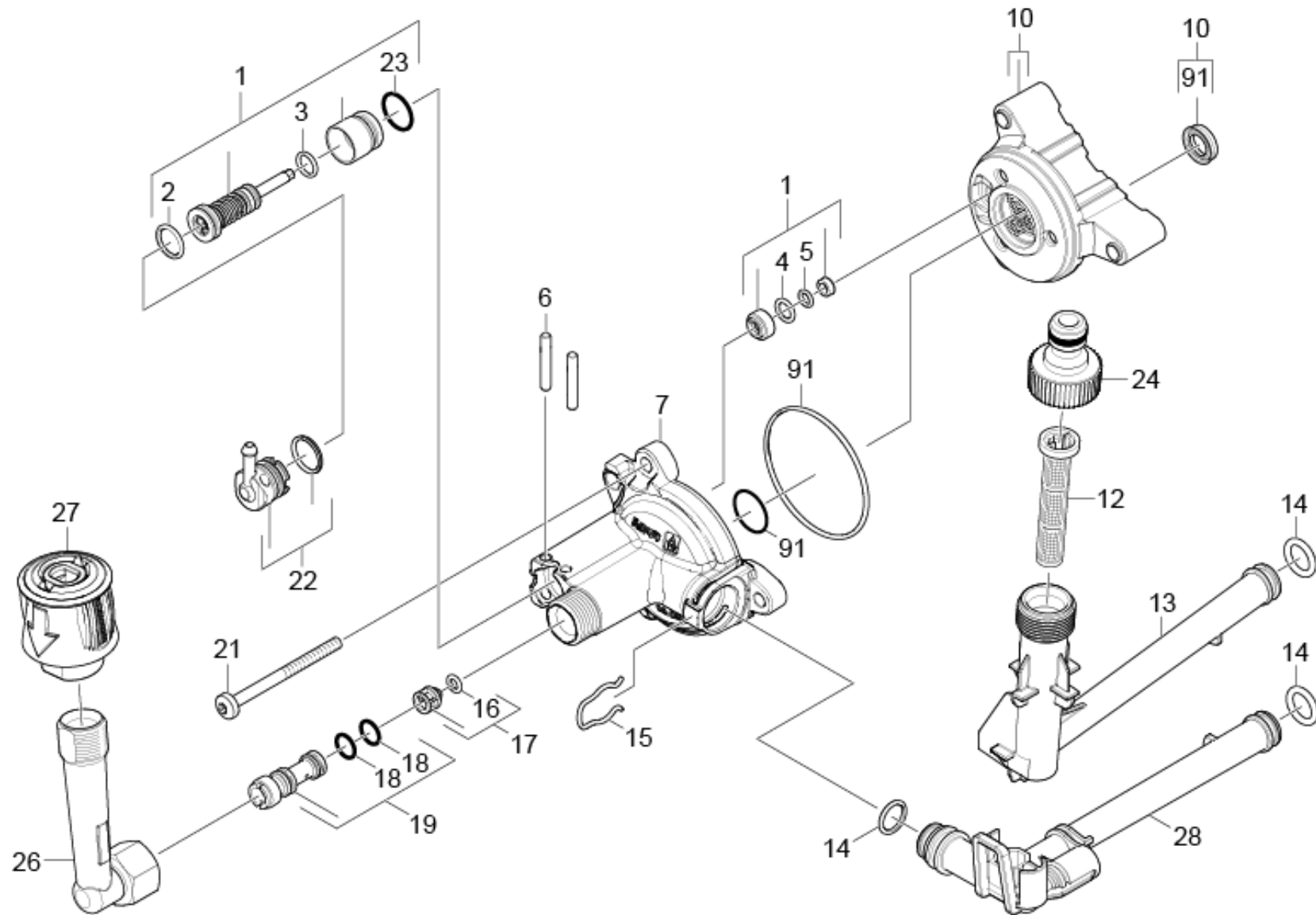


## 21 Cylinder head

Home and Garden \ High pressure cleaner cold water \ Electric motor \ K 6 \ K 6 Special \*EU \ Pump set \ Cylinder head



## 21 Cylinder head

Home and Garden \ High pressure cleaner cold water \ Electric motor \ K 6 \ K 6 Special \*EU \ Pump set \ Cylinder head

**KÄRCHER**

POS	Article no.	Description	Quantity	Unit
15	5.048-915.0	Clamp	1	PC
24	6.465-031.0	Connection 3/4	1	PC
10	4.550-942.0	Cylinder head complete brass	1	PC
12	5.731-011.0	Fine filter	1	PC
27	4.470-041.0	High pressure quick-fitting pipe union A	1	PC
7	5.062-149.0	Housing	1	PC
19	4.769-034.0	Nozzle insert only for replacement	1	PC
16	6.363-613.0	O-Ring seal 4 x 2 -NBR90	1	PC
5	6.363-606.0	O-Ring seal 4,7 x 1,9 -NBR70	1	PC
4	6.362-101.0	O-Ring seal 8 X 2	1	PC
3	6.363-614.0	O-Ring seal 9 x 2 -NBR90	1	PC
18	6.362-384.0	O-Ring seal 9x1,5 - NBR 70	2	PC
14	6.363-610.0	O-Ring seal 13 x 3 -NBR	3	PC
2	6.362-381.0	O-Ring seal 13x2 - NBR 70	1	PC
23	6.362-427.0	O-Ring seal 15,0x2,0	1	PC
26	9.002-524.0	Output complete K7	1	PC
6	5.314-150.0	Pin	2	PC
22	4.580-702.0	Plug complete	1	PC
21	7.306-268.0	Screw M6x70 -8.8-R3R (In6Rd)	3	PC
1	2.885-186.0	Spare parts set excess-current	1	PC
91	4.100-836.0	Spare parts set seals	1	PC
13	5.443-644.0	Tube intake	1	PC
28	5.443-654.0	Tube Ruecklauf WCM K7 D117	1	PC
17	4.584-022.0	Valve pin complete	1	PC