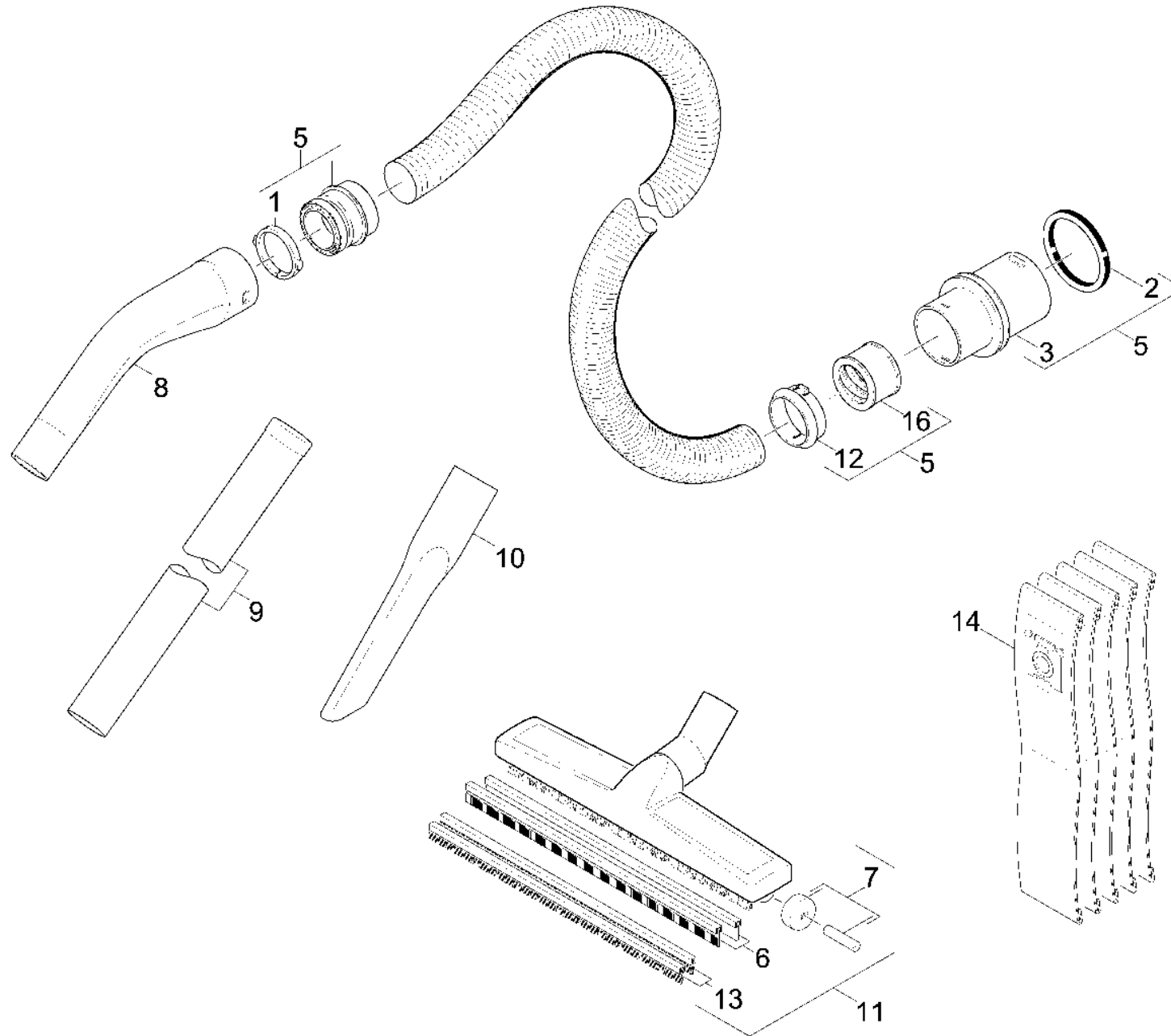


50 Accessories

Professional \ Vacuum cleaner \ Wet-/dry vacuum cleaner \ NT 65/2 Ap *EU \ Spare parts list NT 65/2 Ap *EU \ Accessories



50 Accessories

Professional \ Vacuum cleaner \ Wet-/dry vacuum cleaner \ NT 65/2 Ap *EU \ Spare parts list NT 65/2 Ap *EU \ Accessories

KÄRCHER

POS	Article no.	Description	Quantity	Unit
13	6.905-878.0	Brush strips set only for replacement	2.000	ST
10	6.903-033.0	Crevice nozzle DN40	1.000	ST
8	5.031-904.0	Elbow	1.000	ST
14	6.904-285.0	Filter bags 5St. -NT 65/2 ECO	1.000	ST
11	6.907-408.0	Floor tool packaged basalt grey DN40	1.000	ST
3	5.443-477.0	Hosebarb DN40	1.000	ST
2	6.273-009.0	Joint ring EPDM	1.000	ST
7	4.515-342.0	Roller complete with axle	2.000	ST
6	6.905-877.0	Rubber lip set only for replacement	1.000	ST
12	6.902-068.0	Snap-in ring	1.000	ST
5	6.906-321.0	Suction hose C40 4m	1.000	ST
9	6.900-275.0	Suction tube DN40-0,55m	2.000	ST
1	5.031-905.0	Tension ring C40	2.000	ST
16	6.902-069.0	Threaded ring	1.000	ST