

Spare parts list

(1.291-141.0) BDP 50/1500C

Table of contents

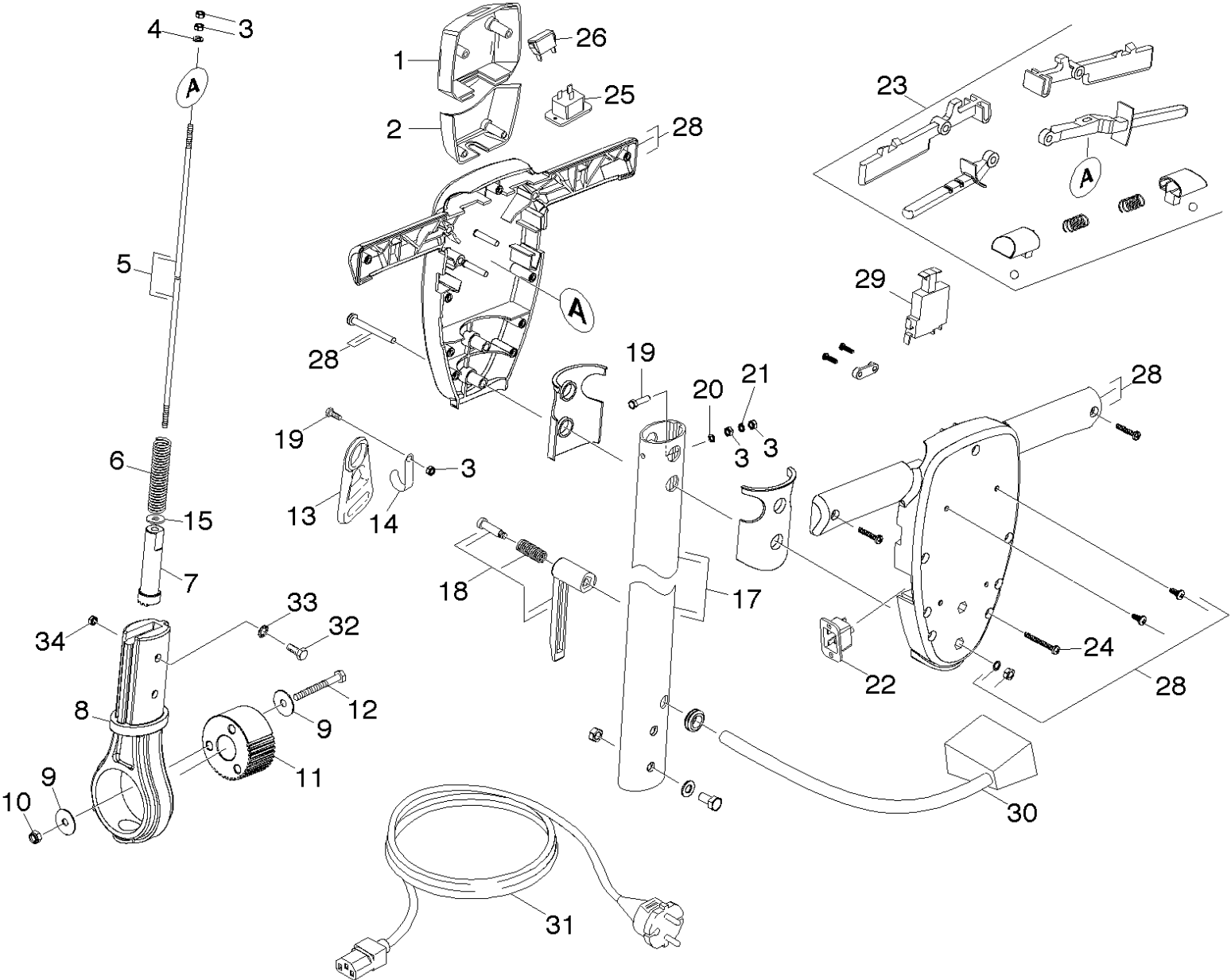
BDP 50/1500C (1.291-141.0)	3
Spare parts list BDP 50/1500 C (5.970-893.0)	4
10 Hand grip	5
20 Motor individual parts	7

BDP 50/1500C (1.291-141.0)

POS	Article no.	Description	Quantity	Unit
0	5.970-893.0	Spare parts list BDP 50/1500 C	1	PC

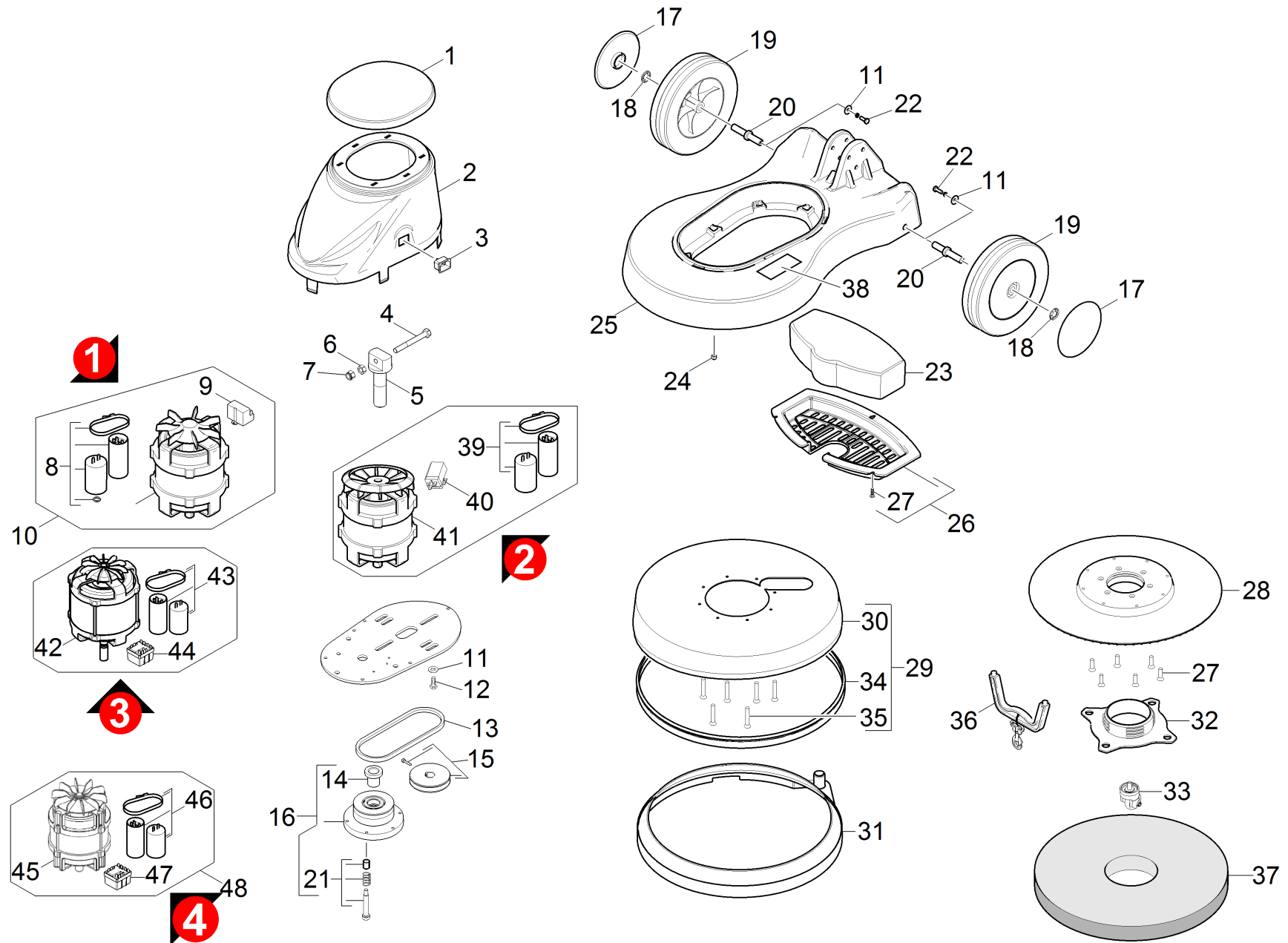
Spare parts list BDP 50/1500 C (5.970-893.0)

POS	Description	Quantity	Unit
10	Hand grip	1	PC
20	Motor individual parts	1	PC



10 Hand grip

POS	Article no.	Description	Quantity	Unit	Foot note text
1	6.670-059.0	Cover plate	1	PC	
2	6.670-060.0	Cover	1	PC	
3	7.311-002.0	Hexagon nut M5 -6-A2E ISO 4032	7	PC	
4	7.777-999.0	Stockpiling discontinued	1	PC	
5	6.670-062.0	Bar	1	PC	
6	6.670-055.0	Pressure spring	1	PC	
7	6.670-032.0	Adjusting screw	1	PC	
8	6.670-061.0	Holder retainer	1	PC	
9	6.670-023.0	Washer	2	PC	
10	7.311-510.0	Hexagon nut M 8-8-A2E ISO 7040	1	PC	
11	6.670-031.0	Adjusting ring	1	PC	
12	7.304-097.0	Hexagonal head screw M8x70-8.8-A2E ISO	1	PC	
13	6.670-054.0	Cable holder	1	PC	
14	6.670-053.0	Clip	1	PC	
15	7.312-005.0	Washer 10-200HV-A3E ISO 7089	1	PC	
17	6.670-056.0	Tube holder	1	PC	
18	6.670-057.0	Set cable holder	1	PC	
19	7.306-158.0	Cylinder head screw M 5x20-A4-70 ISO 47	2	PC	
20	7.312-231.0	Serrated lock washer A5,3 -FSt-A3E DIN6	1	PC	
21	7.312-032.0	Washer 5-CuZn-E2E ISO7090	1	PC	
22	6.670-064.0	Bush	1	PC	
23	6.670-100.0	Spare part set lever yellow	1	PC	YELLOW
23	7.777-999.0	Stockpiling discontinued	1	PC	GREY
24	7.303-118.0	Screw 5x40 -A2-70 (IN6Rd)	11	PC	
25	6.670-037.0	Socket	1	PC	
26	6.670-063.0	Control lamp	1	PC	
28	6.670-058.0	Spare part set handhold shells	1	PC	
29	6.670-035.0	Switch	1	PC	
30	6.670-066.0	Cable extension	1	PC	
31	6.670-065.0	Cable	1	PC	
32	7.304-395.0	Hexagonal head screw M8x16-8.8-A2E ISO	2	PC	
33	7.313-015.0	Spring washer B 8-1.4310 DIN 127	2	PC	
34	7.312-004.0	Washer 8 -200HV-A3E ISO 7089	2	PC	



20 Motor individual parts

POS	Article no.	Description	Quantity	Unit	Remark	Foot note text
1	6.670-052.0	Blower cover	1	PC		YELLOW
1	6.670-104.0	Cover blower black	1	PC		BLACK
2	6.670-051.0	Motor cover	1	PC		BLACK
2	7.777-999.0	Stockpiling discontinued	1	PC		GREY
3	6.670-050.0	Plug	1	PC		
4	7.304-060.0	Hexagonal head screw M 8x90-A2-70 ISO 4	1	PC		
5	6.670-039.0	Spindle bolt	1	PC		
6	7.311-027.0	Hexagon nut M 8-A4-70 ISO 7042	1	PC		
7	7.311-510.0	Hexagon nut M 8-8-A2E ISO 7040	1	PC		
8	6.680-023.0	Capacitor kit	1	PC		VERSION 1
9	6.680-024.0	Relay set	1	PC		VERSION 1
10	2.882-007.0	Conversion kit motor complete (Lemac)	1	PC		VERSION 1
11	7.312-004.0	Washer 8 -200HV-A3E ISO 7089	5	PC		
12	7.304-395.0	Hexagonal head screw M8x16-8.8-A2E ISO	3	PC		
13	6.670-041.0	Drive belt	1	PC		
14	6.670-004.0	Bearing bush	1	PC		
15	6.680-025.0	Belt pulley	1	PC		
16	6.680-026.0	Driving pulley set	1	PC		
17	6.670-101.0	Wheel cap grey	2	PC		GREY
18	6.670-024.0	Washer	2	PC		
19	6.670-001.0	Wheel complete	2	PC		
20	6.670-048.0	Wheel axle	2	PC		
21	6.670-003.0	Spare part set 1 BDP 43/1500 C	3	PC		
22	7.305-063.0	Countersunk screw M6x20 -4.8-A2E ISO 20	2	PC		
23	6.670-046.0	Dust bag	1	PC		
24	7.311-512.0	Hexagon nut M 6-8-A2E ISO 7040	1	PC		
25	6.670-099.0	Motor housing grey	1	PC		GREY
25	6.670-099.0	Motor housing grey	1	PC		YELLOW
26	6.680-031.0	Dust bag holder set	1	PC		GREY
27	7.303-112.0	Screw 6x20 -10.9-R2R (In6Rd)	9	PC		

20 Motor individual parts

POS	Article no.	Description	Quantity	Unit	Remark	Foot note text
28	6.670-042.0	Disk	1	PC		
29	6.680-030.0	Guard ring set	1	PC		
30	6.670-045.0	Housing	1	PC		
31	6.670-043.0	Splash guard ring	1	PC		BLACK
31	7.777-999.0	Stockpiling discontinued	1	PC		GREY
32	6.670-002.0	Centerlock	1	PC		RED
32	7.777-999.0	Stockpiling discontinued	1	PC		GREY
33	6.680-028.0	Roller set	1	PC		
34	6.670-044.0	Ring	1	PC		
35	7.303-114.0	Screw 6 x 35-ST-10.9-R2R (IN6RD)	6	PC		
36	6.670-029.0	Key holder pad	1	PC		
	Item text1: / 6.670-002.0					
37	6.371-261.0	Diamond pad yellow set 5x Ø508	1	PC		
37	6.371-260.0	Diamond pad white set 5x Ø508	1	PC		
37	6.371-240.0	Diamond pad green set 5x Ø508	1	PC		
37	6.371-146.0	Polishing pad beige 500 mm	1	PC		
37	6.369-468.0	Polishing pad beige	1	ZSA		
37	6.369-079.0	Pad red	1	ZSA		
38	5.392-875.0	Label side Professional 108 x 40	1	PC		
39	6.670-094.0	Capacitor kit	1	PC		VERSION 2
40	6.670-093.0	Relay set	1	PC		VERSION 2
41	2.882-007.0	Conversion kit motor complete (Lemac)	1	PC		VERSION 2
42	6.670-106.0	Motor complete	1	PC		VERSION 3
43	6.670-107.0	Capacitor kit	1	PC		VERSION 3
44	6.670-108.0	Relay	1	PC		VERSION 3
45	6.670-242.0	Motor 50 Hz (Tacony)	1	PC	Version 4	
46	6.670-244.0	Capacitor kit 50 Hz, 60 Hz	1	PC	Version 4	
47	6.670-245.0	Starting relay 50 Hz, 60 Hz	1	PC	Version 4	
48	2.882-020.0	Conversion kit motor 50 Hz	1	PC	Version 4	