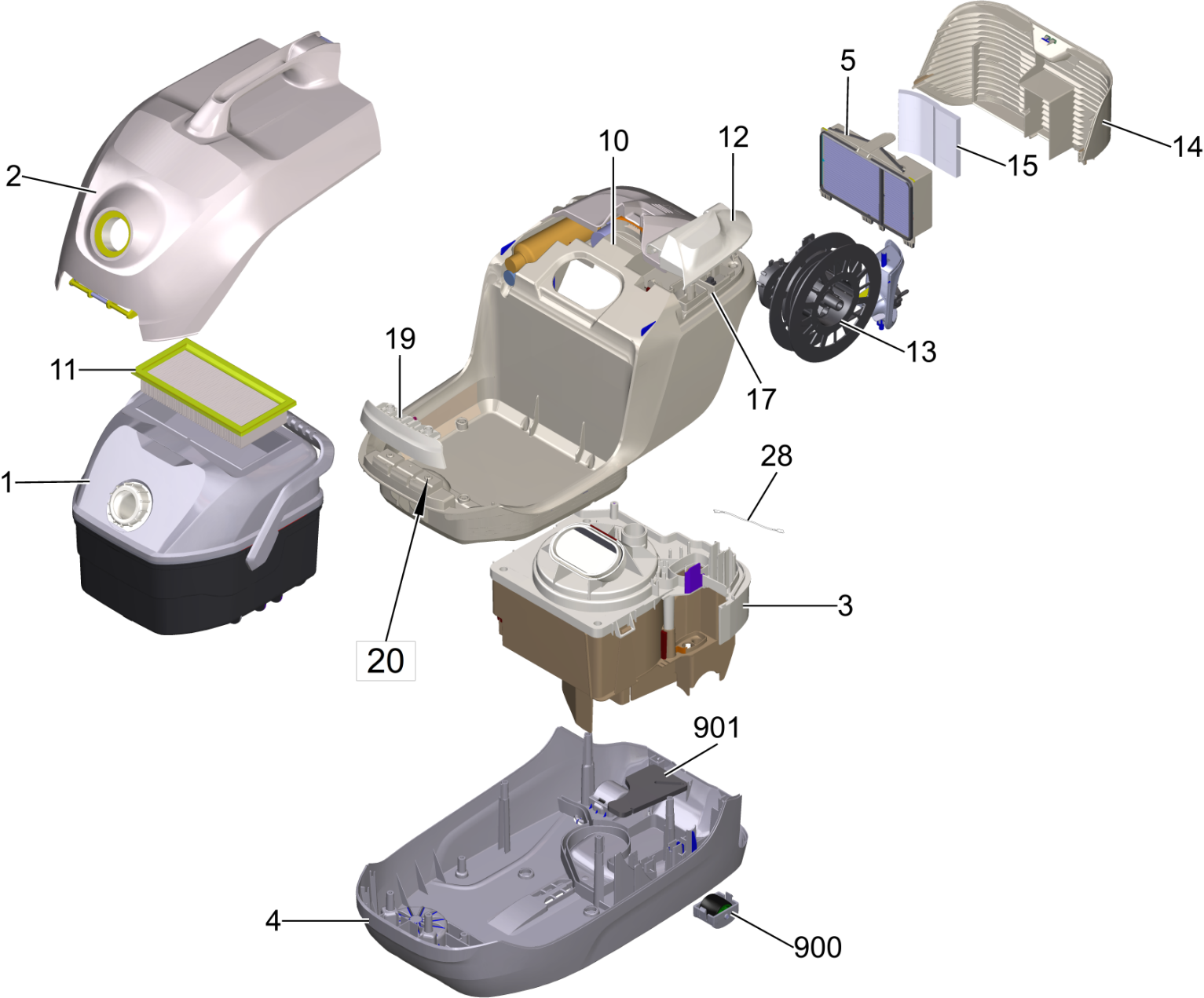
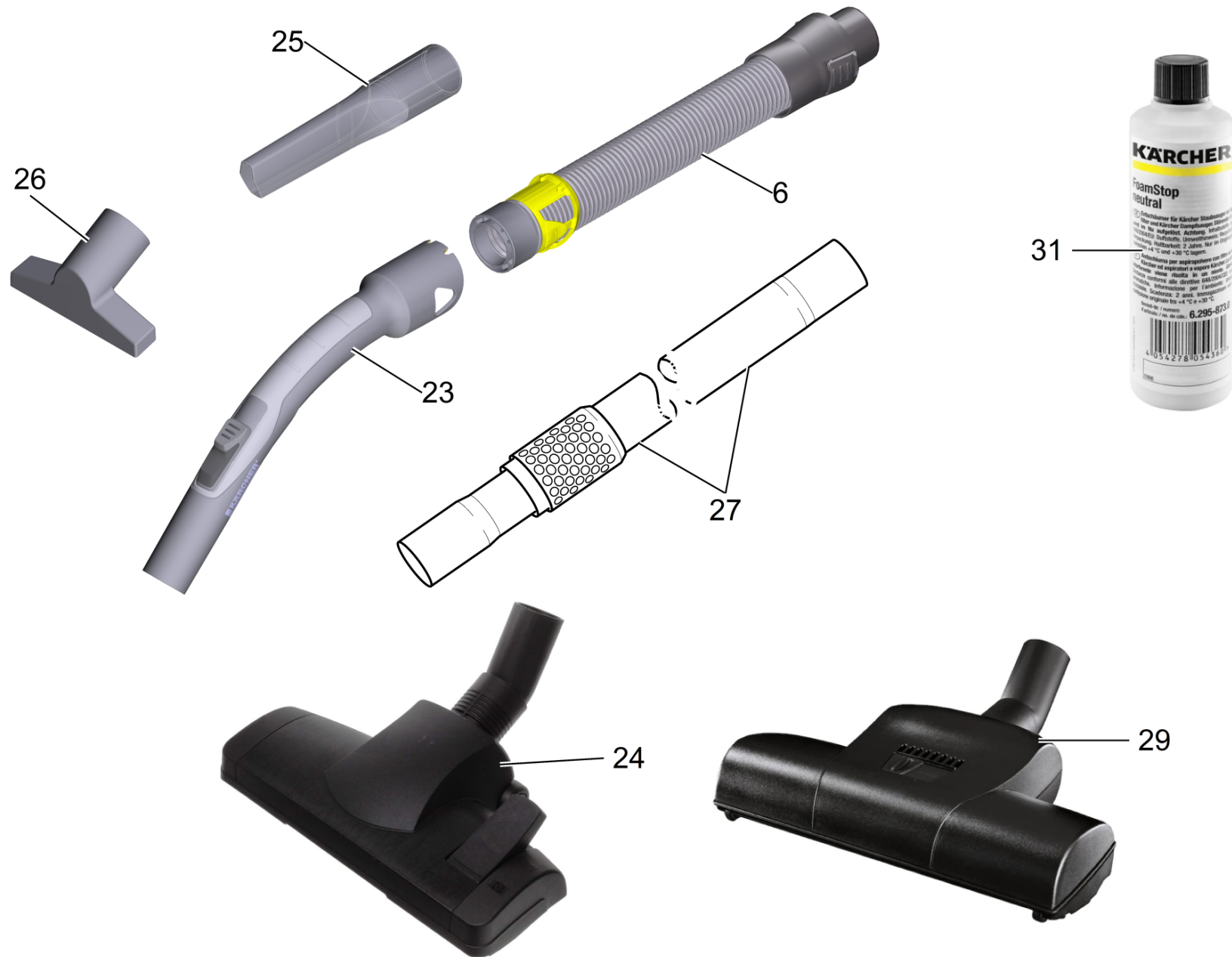


Spare parts list (1.195-250.0) DS 6 *EU

Table of contents

DS 6 *EU (1.195-250.0)	3
1 Water filter complete for replacement (4.195-223.0)	6
2 Front flap white complete	8
9000 Slider complete for replacement (4.195-224.0)	10
3 Motor unit	12
1 Air circulation complete for replacement (4.195-226.0)	14
4 Housing bottom part complete fuer Ersatz (4.195-237.0)	16
10 Upper housing set replacement DS 6.000 (4.195-255.0)	18





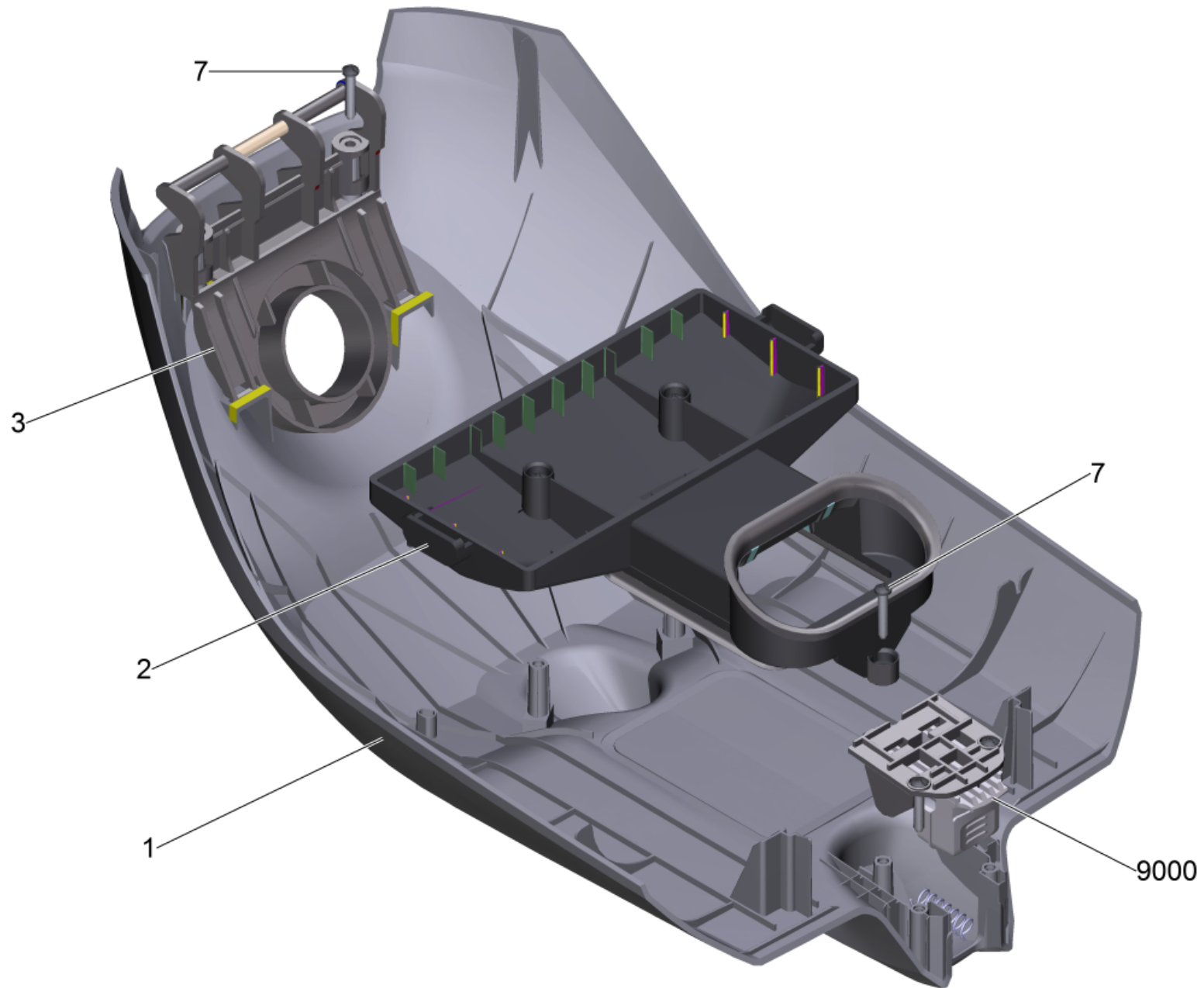
DS 6 *EU (1.195-250.0)

POS	Article no.	Description	Quantity	Unit	Foot note text
2		Front flap white complete	1	PC	
3		Motor unit	1	PC	
5	2.860-273.0	Filter HEPA 13 DS	1	PC	
900	4.195-219.0	Fixed castor complete black	2	PC	
1	4.195-223.0	Water filter complete for replacement	1	PC	
12	4.195-233.0	Pushbutton on off DS 6.000	1	PC	
19	4.195-235.0	Bearing for replacement DS 6.000	1	PC	
4	4.195-237.0	Housing bottom part complete fuer Ersatz	1	PC	
13	4.195-238.0	Cable automatic complete fuer Ersatz DS	1	PC	
14	4.195-244.0	Air exhaust louver fuer Ersatz DS 5.800	1	PC	
23	4.195-247.0	Hand grip complete replacement	1	PC	
10	4.195-255.0	Upper housing set replacement DS 6.000	1	PC	
24	4.195-304.0	Floor tool for replacement RD266	1	PC	
25	5.195-196.0	Crevice nozzle	1	PC	
901	6.195-240.0	Foam insert GUT DS 6.000	1	PC	VERSION 2
15	6.195-241.0	Insulation mat exhaust air flap DS 6.000	1	PC	
28	6.195-249.0	Cable DS 6.000	2	PC	
31	6.295-873.0	RM FoamStop neutrally 125ml	1	PC	
11	6.414-631.0	Intermediate filter DS	1	PC	
17	6.630-437.0	Switch on/off	1	PC	
6	6.901-058.0	Suction hose complete	1	PC	
27	6.902-127.0	Telescopic tube	1	PC	
29	6.906-528.0	Floor tool Turbo	1	PC	
26	6.906-622.0	Upholstery nozzle	1	PC	
20	7.303-096.0	Screw 4x22-ST-10.9-R2R (IN6RD)	5	PC	



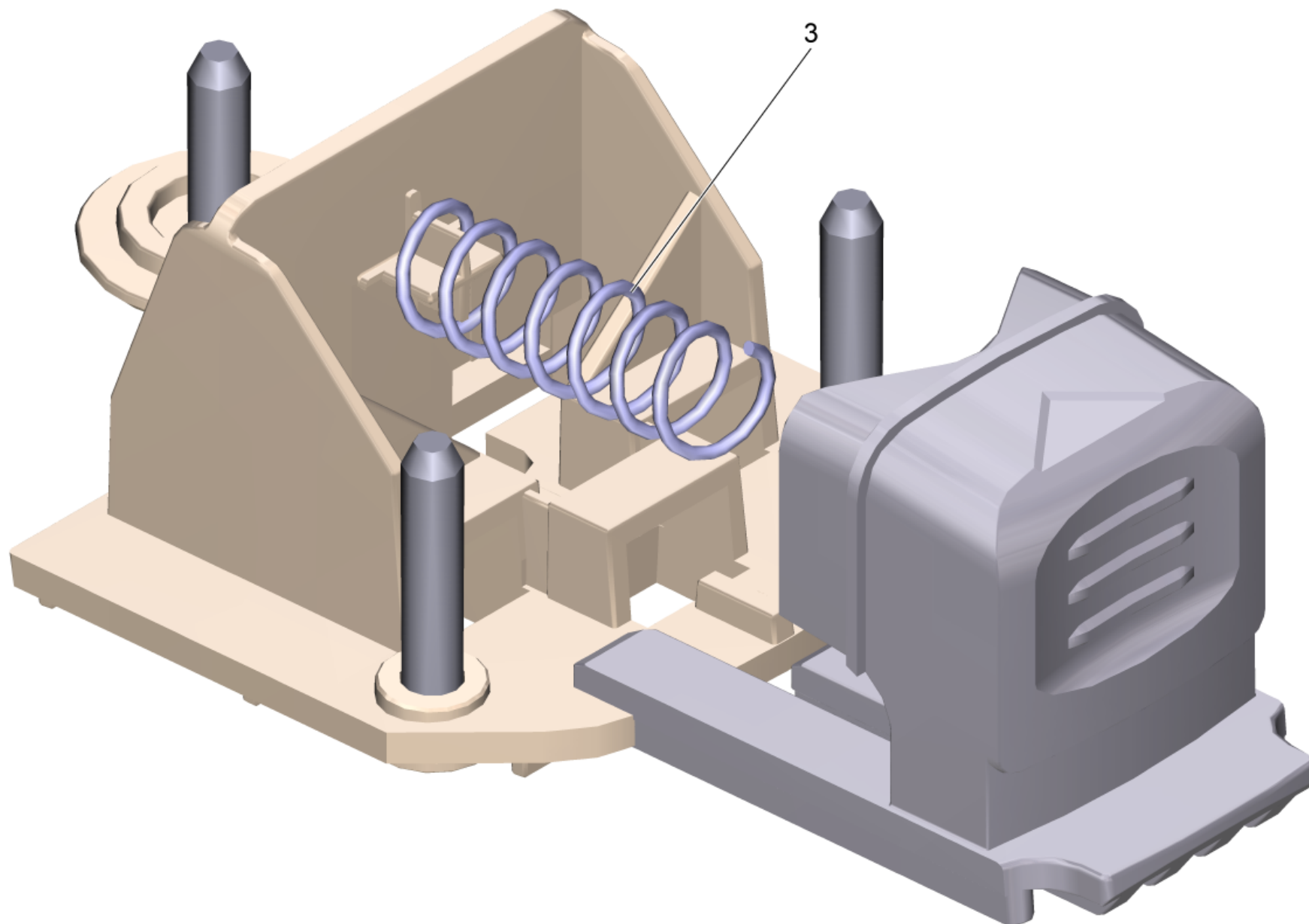
1 Water filter complete for replacement (4.195-223.0)

POS	Article no.	Description	Quantity	Unit
6	5.195-350.0	Seal box water	1	PC
2	5.195-366.0	Seal baffle plate	1	PC



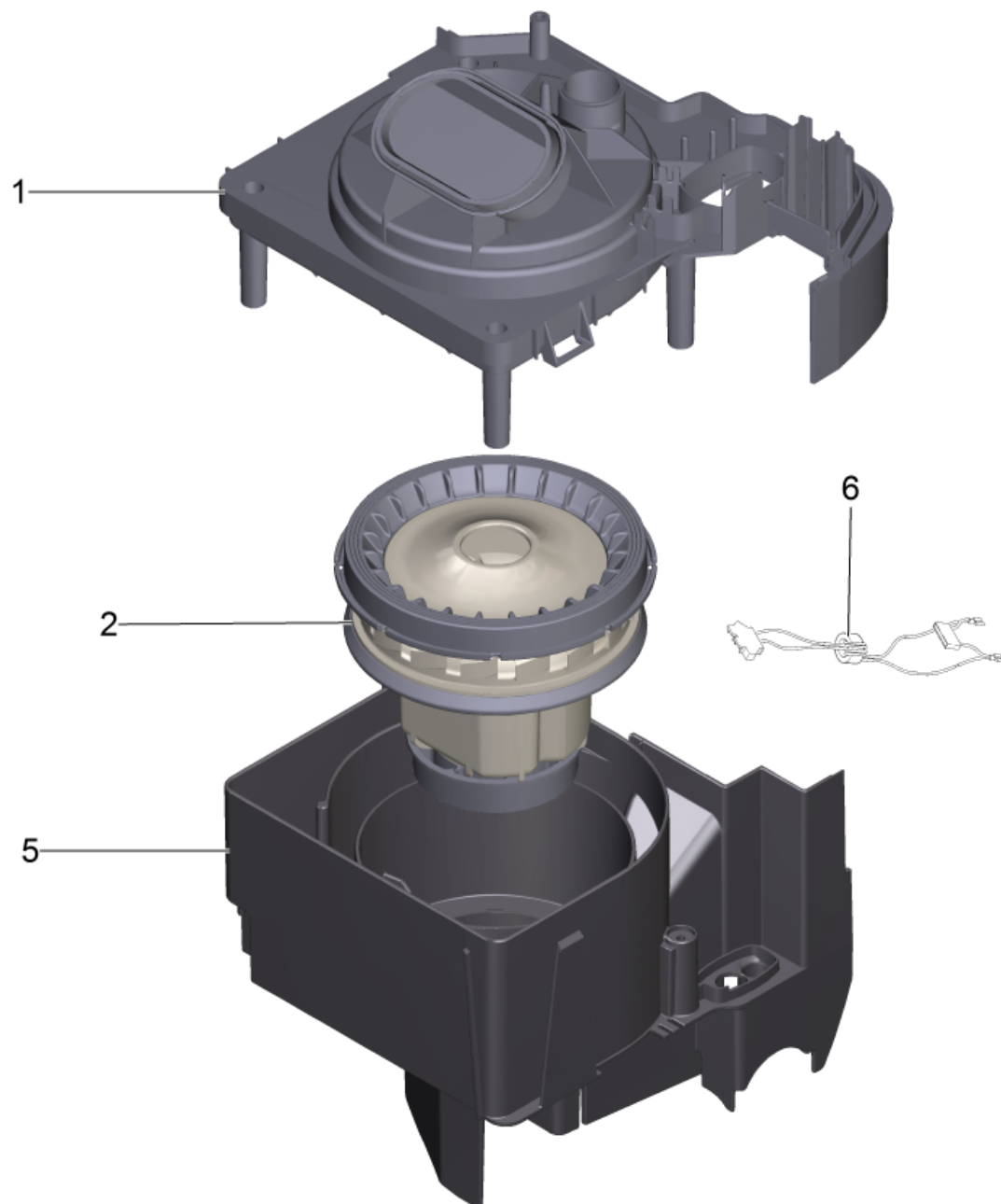
2 Front flap white complete

POS	Article no.	Description	Quantity	Unit
9000	4.195-224.0	Slider complete for replacement	1	PC
1	4.195-318.0	Front flap DS 6 Premium for replacement	1	PC
3	5.195-367.0	Stop suction hose	1	PC
2	5.195-368.0	Air duct	1	PC
7	7.303-096.0	Screw 4x22-ST-10.9-R2R (IN6RD)	7	PC



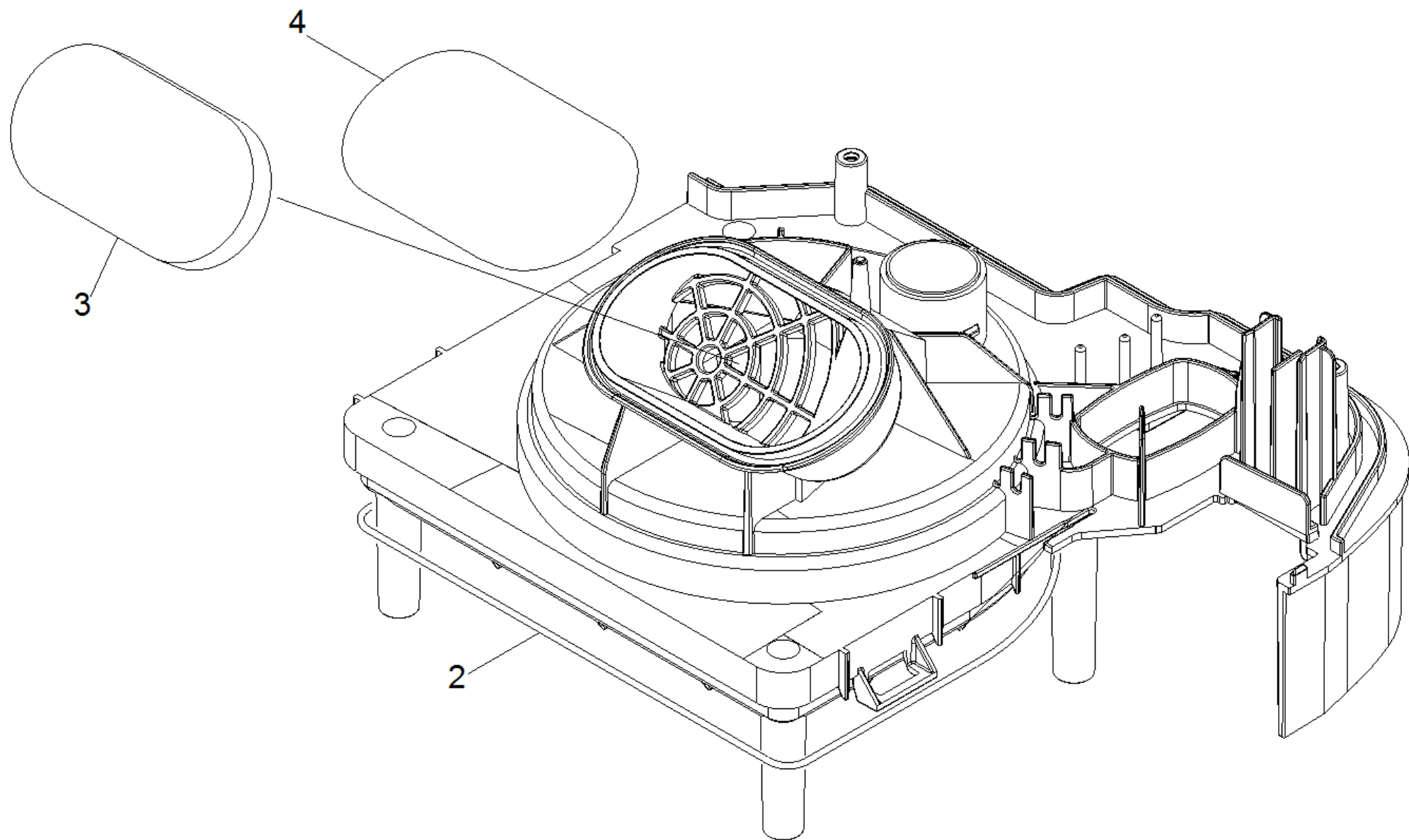
9000 Slider complete for replacement (4.195-224.0)

POS	Article no.	Description	Quantity	Unit
3	5.332-169.0	Pressure spring	1	PC



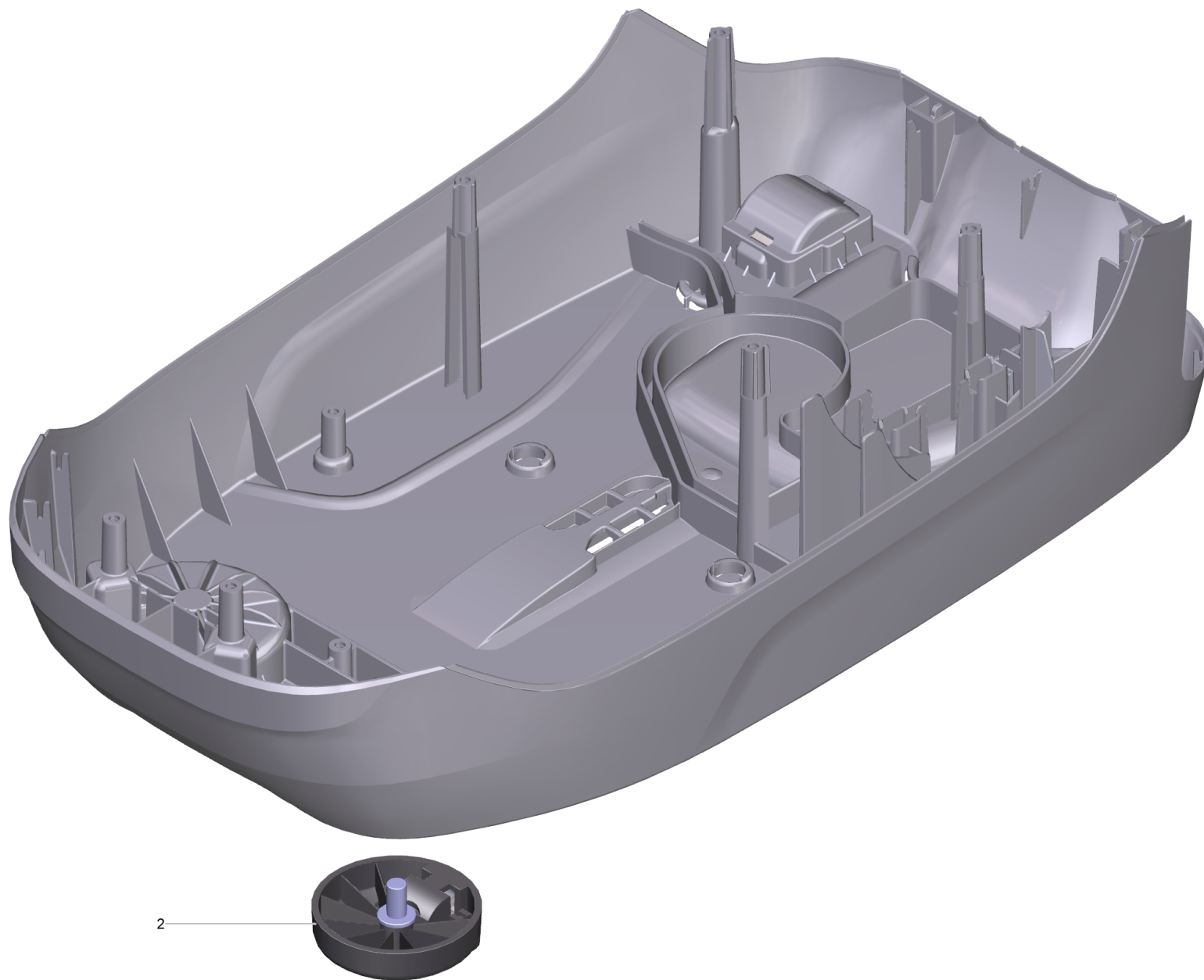
3 Motor unit

POS	Article no.	Description	Quantity	Unit
1	4.195-226.0	Air circulation complete for replacement	1	PC
6	4.195-231.0	Cable with capacitor	1	PC
2	4.195-298.0	Vacuum motor 650W	1	PC
5	5.195-370.0	Motor mount	1	PC



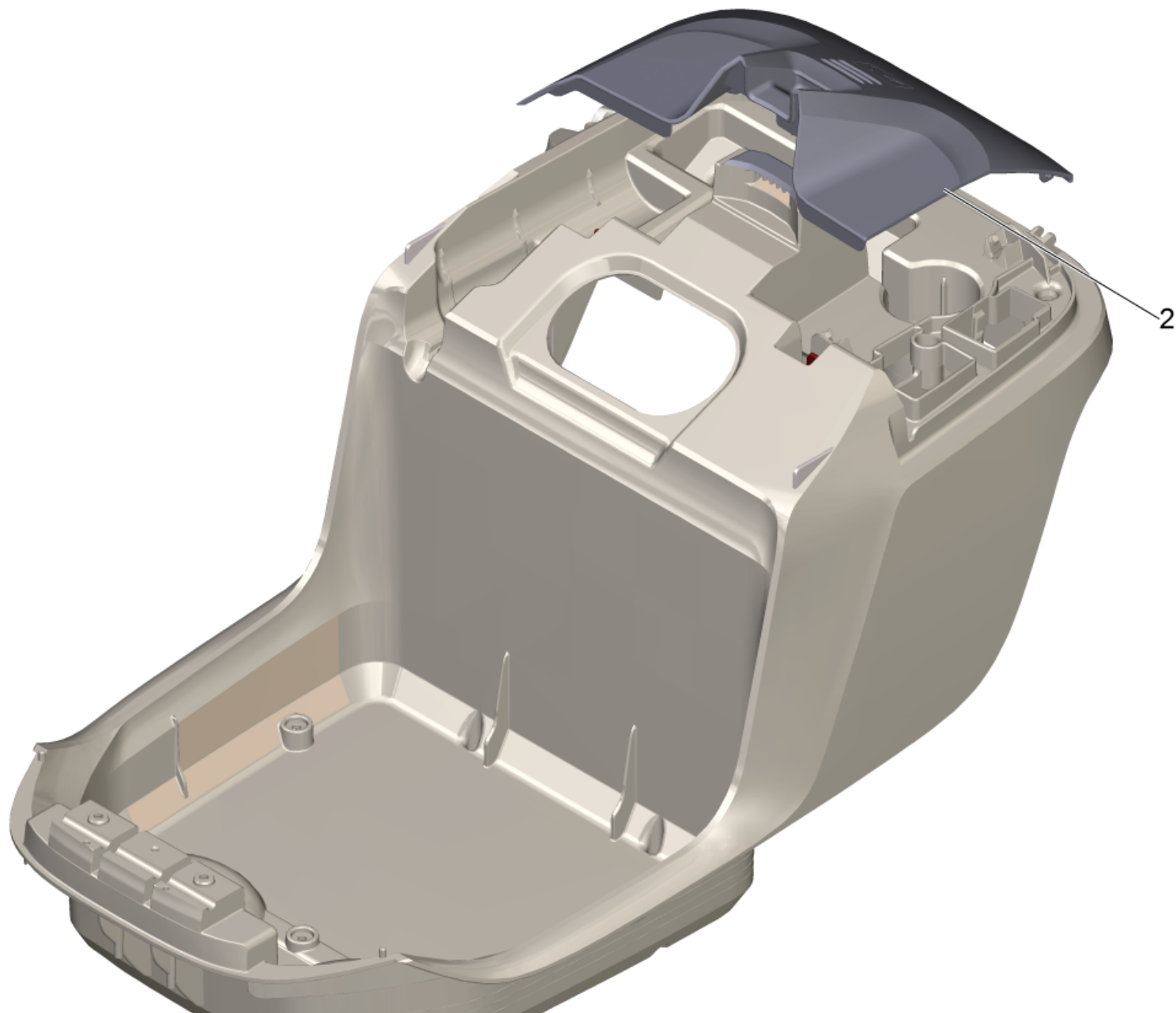
1 Air circulation complete for replacement (4.195-226.0)

POS	Article no.	Description	Quantity	Unit
2	5.195-376.0	Seal string DS 6.000	1	PC
4	5.195-398.0	Seal air circulation DS 6.000	1	PC
3	6.195-239.0	Foam insert air circulation DS 6.000	1	PC



4 Housing bottom part complete fuer Ersatz (4.195-237.0)

POS	Article no.	Description	Quantity	Unit
2	4.195-220.0	Castor complete black	2	PC



10 Upper housing set replacement DS 6.000 (4.195-255.0)

POS	Article no.	Description	Quantity	Unit
2	5.195-198.3	Accessories flap for replacement DS 6.00	1	PC