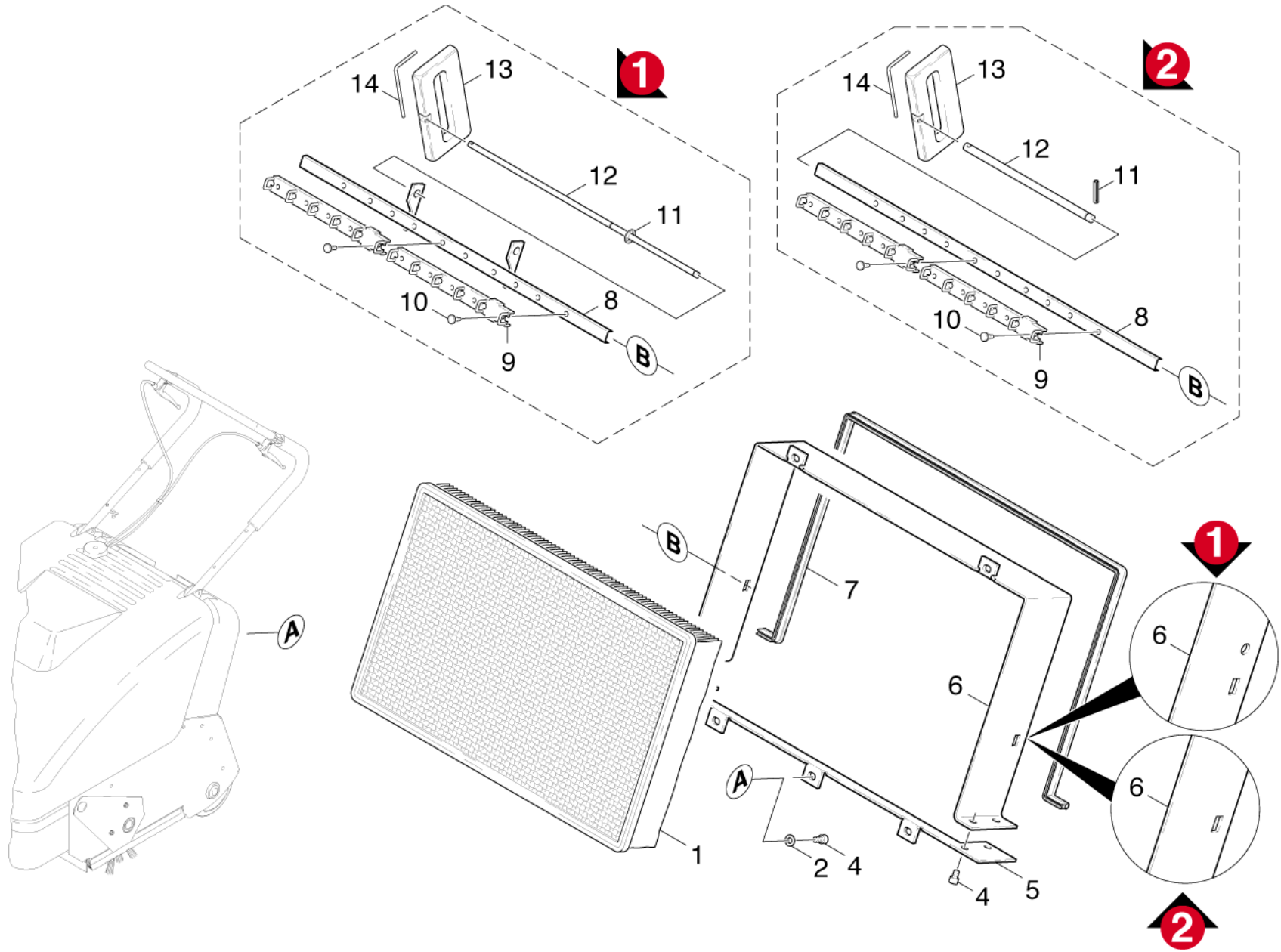


100 Vibrator

Overview technical documents/Professional/Sweepers/Electric motor/KSM 750 (1.049-101.0)/Spare parts list KSM 750 BAT/100 Vibrator



100 Vibrator

Overview technical documents/Professional/Sweepers/Electric motor/KSM 750 (1.049-101.0)/Spare parts list KSM 750 BAT/100 Vibrator

Rez.daļas/nodil.pakļ.daļas	Poz.	Materiāla Nr.	Nosaukums	Daudzums	Pārdoš. vienība	no sēr. Nr..	līdz sēr. Nr.	Daž. informācija
X-X	1	5.731-585.0	Filtrs (mazgājams)	1.000	ST	0000000000	0000000000	
	2	7.312-003.0	Washer 6 -200HV-A3E ISO 7090	5.000	ST	0000000000	0000000000	
	4	6.303-193.0	Cylinder head screw M 6X 12-8.8-R2R	9.000	ST	0000000000	0000000000	
	5	5.046-971.0	Sheet metal component vibrator frame	1.000	ST	0000000000	0000000000	
	6	5.048-137.0	Sheet metal component	1.000	ST	0000000000	0000000000	VERSION 2
	6		Stockpiling discontinued	1.000	ST	0000000000	0000000000	VERSION 1
	7	5.364-170.0	Seal	1.000	ST	0000000000	0000000000	
	8	4.038-451.0	Slider vibrator	1.000	ST	0000000000	0000000000	VERSION 1
	8	5.023-355.0	U-Section	1.000	ST	0000000000	0000000000	VERSION 2
X	9	5.030-900.0	Stripper	2.000	ST	0000000000	0000000000	
X	10	6.315-068.0	Rivet	10.000	ST	0000000000	0000000000	
X	11	7.316-342.0	Cotter 3,2x20 -St-A2E ISO 1234	1.000	ST	0000000000	0000000000	VERSION 2
X-X	11	7.343-302.0	Sprostpaplāksne 8 -St-ph DIN 6799	2.000	ST	0000000000	0000000000	VERSION 1
	12	5.107-162.0	Bar vibrator	1.000	ST	0000000000	0000000000	VERSION 1
	12	5.107-199.0	Bar	1.000	ST	0000000000	0000000000	VERSION 2
	13	5.321-115.0	Handhold	1.000	ST	0000000000	0000000000	
	14	5.037-061.0	Hook	1.000	ST	0000000000	0000000000	