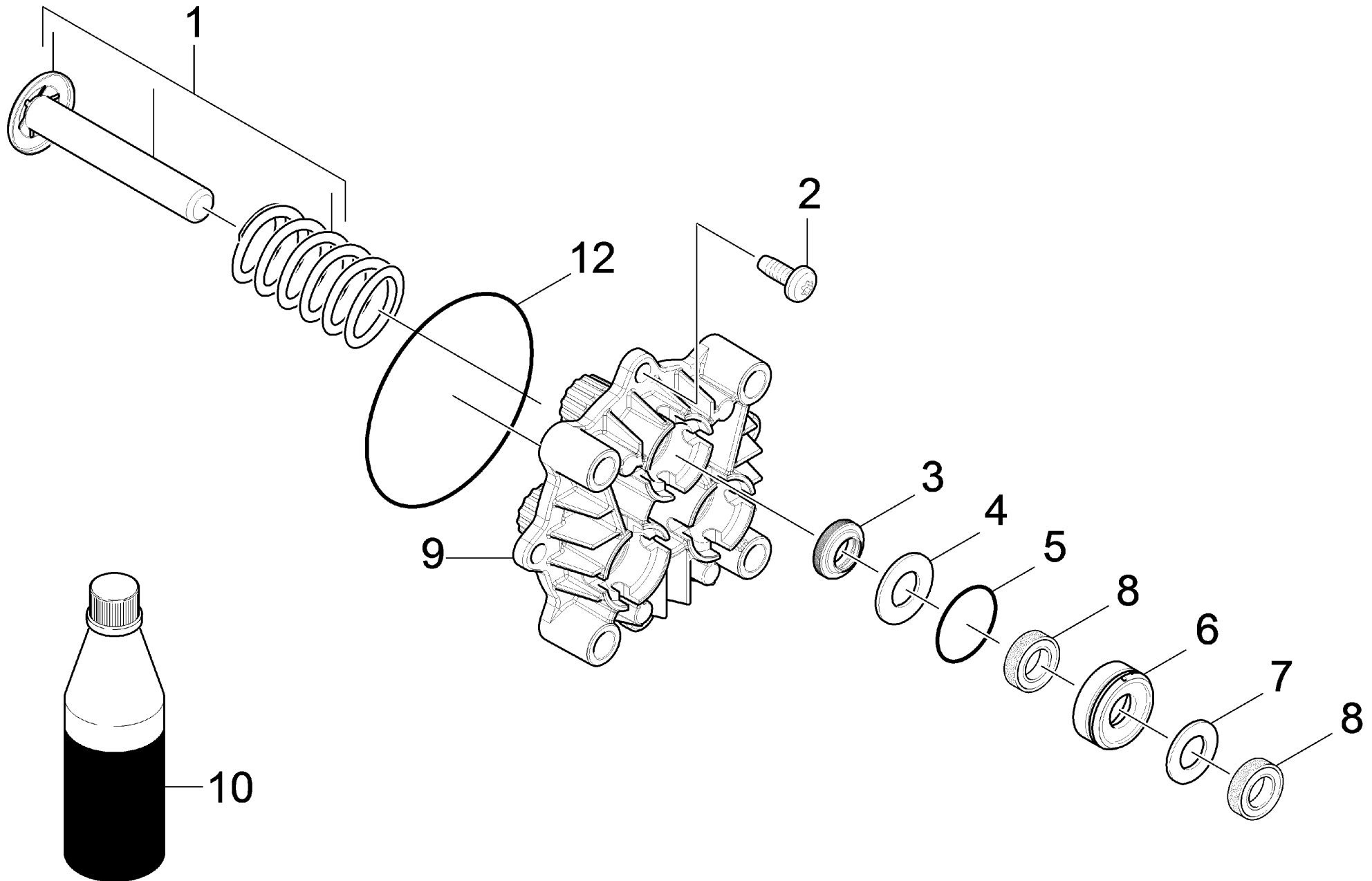


# 22 Piston

Professional \ High pressure cleaner hotwater \ Electric motor \ HDS 5/12 C \*EU \ Spare parts list HDS 5/12 C \*EU \ Pump set \ Piston



## 22 Piston

Professional \ High pressure cleaner hotwater \ Electric motor \ HDS 5/12 C \*EU \ Spare parts list HDS 5/12 C \*EU \ Pump set \ Piston

**KÄRCHER**

POS	Article no.	Description	Quantity	Unit
1	4.553-230.0	Piston complete	3.000	ST
2	7.303-047.0	Screw M6x16 -St-R3R (In6Rd)	2.000	ST
3	6.365-001.0	Grooved ring 12x20x4/6	3.000	ST
4	5.116-093.0	Washer	3.000	ST
5	6.362-376.0	O-Ring seal 24,0 X 1,5	3.000	ST
6	5.112-726.0	Bush	3.000	ST
7	5.115-721.0	Washer	3.000	ST
8	6.365-477.0	Grooved ring 12x20x5,3/2,8	6.000	ST
9	5.061-018.3	Thrust guidance	1.000	ST
10	6.288-050.0	Engine oil 1L	1.000	ST
12	6.363-077.0	O-Ring seal 75x3	1.000	ST