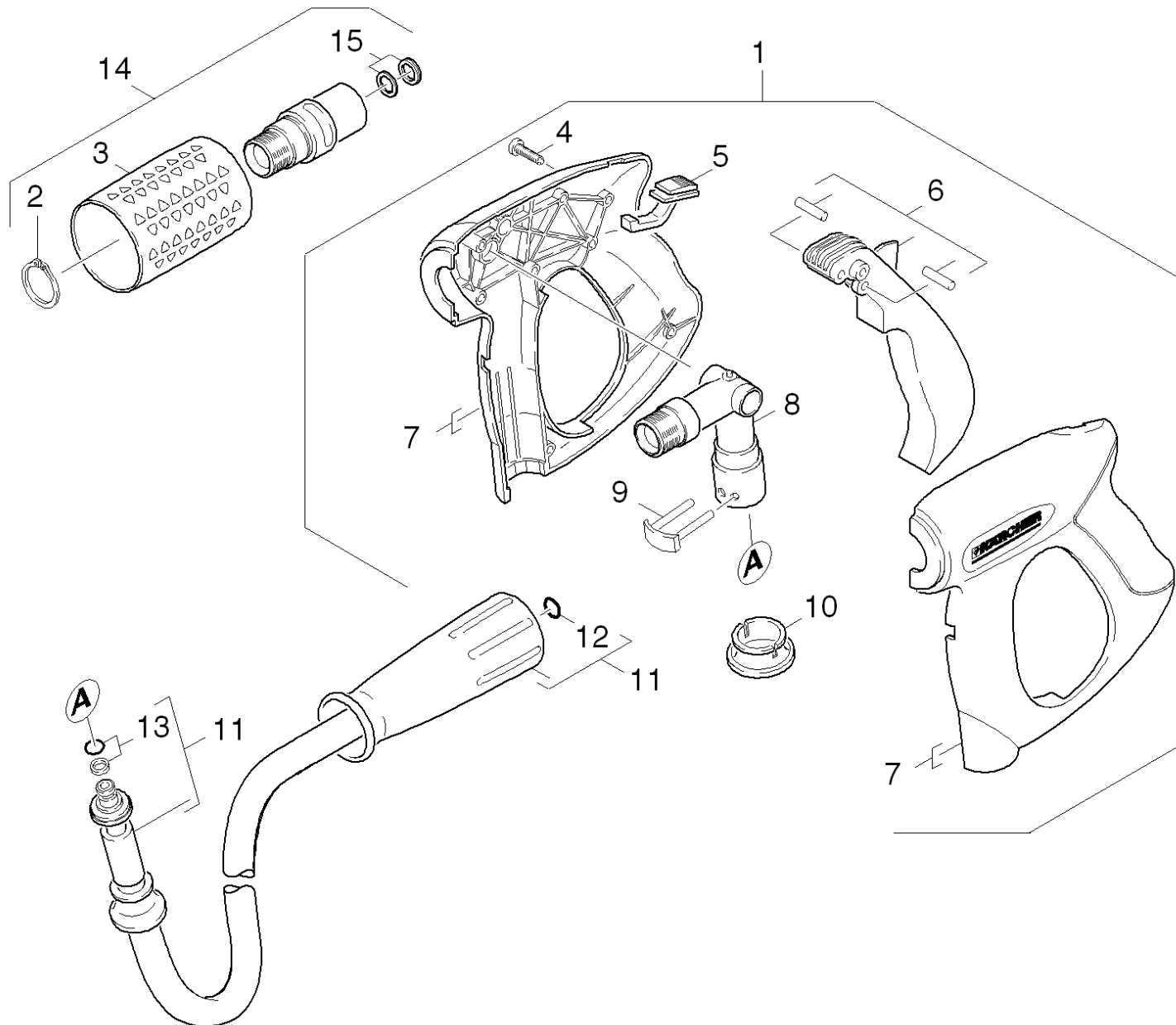


101 Hand trigger gun

Professional \ High pressure cleaner hotwater \ Electric motor \ HDS 895 M ECO*EU-II \ Spare parts list HDS 895 M ECO \ Accessories \ Hand trigger gun



101 Hand trigger gun

Professional \ High pressure cleaner hotwater \ Electric motor \ HDS 895 M ECO*EU-II \ Spare parts list HDS 895 M ECO \ Accessories \ Hand trigger gun



POS	Article no.	Description	Quantity	Unit
15	4.363-695.0	Grooved ring only for replacement	1.000	ST
7	5.321-669.3	Handhold few	1.000	ST
3	5.321-668.0	Handle	1.000	ST
1	4.775-463.0	HAND TRIGGER GUN EASY PRESS	1.000	ST
	Item text1: 1.027-315.0 / -316.0 / -318.0 / -322.0 / -323.0 / -324.0 / -328.0 / -329.0 / -360.0 /-361.0 /-503.0			
9	4.037-013.0	Hook	1.000	ST
11	6.390-208.0	Hose assembly DN8 40MPa 20m	1.000	ST
	Item text1: / 1.027-323.0 / -324.0 / -360.0			
11	6.391-351.0	Hose assembly only for replacement DN8 4	1.000	ST
	Item text1: / 1.027-315.0 /-316.0 /-318.0			
	Item text2: /-322.0 /-328.0 /-329.0 /-361.0 /-503.0			
6	4.481-209.0	Lever complete	1.000	ST
2	7.343-069.0	Locking ring 25x1,2-1.4122 DIN 471	1.000	ST
8	4.427-215.0	Manifold complete only for replacement	1.000	ST
13	4.363-691.0	O-Ring seal kpl. -nur fuer Ersatz-	1.000	ST
14	4.775-470.0	Rotary controller 416L	1.000	ST
4	7.303-096.0	Screw 4x22 -ST-10.9-R2R (IN6RD)	7.000	ST
10	5.110-596.0	Sleeve	1.000	ST
5	5.481-331.0	Slider	1.000	ST
12	2.880-990.0	Spare part set O-Ring 5x -Kaercher	1.000	ST