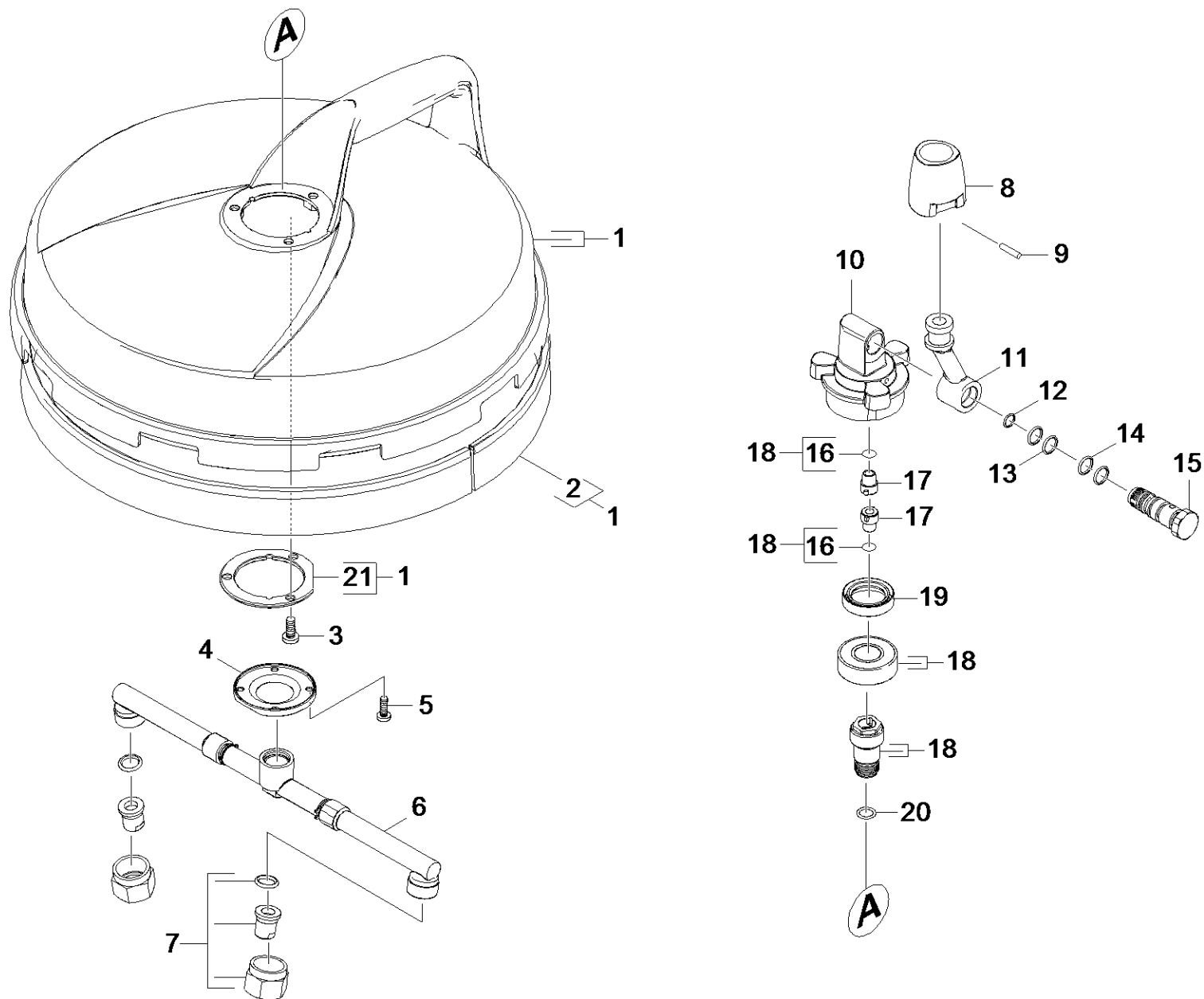


# 10 FR Basic

Overview technical documents/Professional/High pressure cleaner cold water/Accessories/FR Basic (2.642-998.0)/Spare parts list FR Basic/10 FR Basic



**10 FR Basic**

Overview technical documents/Professional/High pressure cleaner cold water/Accessories/FR Basic (2.642-998.0)/Spare parts list FR Basic/10 FR Basic

| Rez.daļas/nodil.pakļ.daļas | Poz. | Materiāla Nr. | Nosaukums                               | Daudzums | Pārdoš. vienība |
|----------------------------|------|---------------|---|----------|-----------------|
|                            | 1    | 4.880-001.0   | Spare part set FR Basic                 | 1.000    | ST              |
|                            | 2    | 6.371-051.0   | Brush-corona FR 28                      | 1.000    | ST              |
|                            | 3    | 7.306-181.0   | screw                                   | 4.000    | ST              |
|                            | 4    | 5.122-478.0   | Flange                                  | 1.000    | ST              |
|                            | 5    | 7.306-204.0   | Screw M 3X 10-A2-70 (IN6RD)             | 4.000    | ST              |
|                            | 6    | 4.764-154.0   | Nozzle holder                           | 1.000    | ST              |
| X-X                        | 7    | 2.640-482.0   | Nozzle pack 018                         | 1.000    | ST              |
| X-X                        | 7    | 2.640-401.0   | Nozzle                                  | 1.000    | ST              |
| X-X                        | 7    | 2.639-187.0   | Nozzle pack                             | 1.000    | ST              |
|                            | 8    | 5.394-530.0   | Protection part complete                | 1.000    | ST              |
|                            | 9    | 6.343-150.0   | Pin 03                                  | 1.000    | ST              |
|                            | 10   | 5.481-401.0   | Base body                               | 1.000    | ST              |
|                            | 11   | 5.481-402.0   | Hinge part                              | 1.000    | ST              |
|                            | 12   | 6.363-111.0   | O-Ring seal 7,0 X 1 -NBR 70             | 1.000    | ST              |
|                            | 13   | 6.362-384.0   | Gredzenblīve 9x1,5 - NBR 70             | 2.000    | ST              |
|                            | 14   | 6.362-958.0   | Gredzenblīve 9 x 2-NBR 90               | 2.000    | ST              |
|                            | 15   | 5.100-569.0   | Axle                                    | 1.000    | ST              |
|                            | 16   | 6.362-658.0   | O-Ring seal 7 X 1,5-NBR 90              | 2.000    | ST              |
| X-X                        | 17   | 5.111-322.0   | Sleeve                                  | 2.000    | ST              |
| X-X                        | 18   | 4.250-082.0   | Bearing complete only for replacement   | 1.000    | ST              |
| X-X                        | 19   | 7.367-000.0   | Radial shaft seal ring A20x30x7-NBR DIN | 1.000    | ST              |
|                            | 20   | 6.362-388.0   | Gredzenblīve 8,0x1,5 -EPDM 70           | 1.000    | ST              |
|                            | 21   | 5.122-003.0   | Flange                                  | 1.000    | ST              |