

Spare parts list

(1.421-417.0) K 2.99M-PL-VPS *EU

Table of contents

K 2.99M-PL-VPS *EU (1.421-417.0)	4
201 Spare parts list K 29X/29X M (5.958-968.0)	5
10 Individual parts	6
11 Individual parts	7
12 Assembly group TROLLY	9
20 Pump set	11
21 Housing	12
10 Spare part set inlet fitting K 29X (9.001-212.0)	14
22 Thrust guidance	15
23 Housing	17
20 Spare part set inlet fitting K 29X (9.001-212.0)	19
24 Thrust guidance	20
30 Motor	22
40 Accessories	24
41 Hand trigger gun	25
6 HK 75 high pressure hose set+trigger gu (2.643-910.0)	27
1 Pistol alternative	29
10 G 180 Q gun (2.642-889.0)	31
11 G 135 Q (4.775-616.3)	33
2 H 9 Q high pressure hose Quick Connect (2.641-721.0)	35
999 O-Ring seal set (2.640-729.0)	37
42 Hand trigger gun	38
4 HK 75 high pressure hose set+trigger gu (2.643-910.0)	40
1 Pistol alternative	42
10 G 180 Q gun (2.642-889.0)	44
11 G 135 Q (4.775-616.3)	46
2 H 9 Q high pressure hose Quick Connect (2.641-721.0)	48
999 O-Ring seal set (2.640-729.0)	50
43 Jet pipe	51
1 O-Ring seal set (2.640-729.0)	53
2 Dirt blaster 027 St - CEM (4.764-260.0)	54
1 O-Ring seal set (2.640-729.0)	56
4 VPS K2 025 (4.760-535.0)	57
1 O-Ring seal set (2.640-729.0)	59
10 WB 100 washing brush (2.643-236.0)	60
1 O-Ring seal set (2.640-729.0)	62
15 PC 7.5 pipe cleaning set (2.637-729.0)	63
100 Spare parts list pipe cleaning set (5.952-715.0)	64

Table of contents

10 Pipe cleaning hose	65
20 Pipe cleaning hose	67
44 T-Racer T 50	69
1 O-Ring seal set (2.640-729.0)	71
3 Single-step jet pipe extension (2.643-240.0)	72
3 O-Ring seal set (2.640-729.0)	74
8 Spare parts nozzles T-Racer (2.643-338.0)	75
45 T-Racer T 100	78
1 Single-step jet pipe extension (2.643-240.0)	79
3 O-Ring seal set (2.640-729.0)	81
5 O-Ring seal set (2.640-729.0)	82
7 Spare parts nozzles T-Racer (2.643-338.0)	83
46 T-Racer T 300	86
7 O-Ring seal set (2.640-729.0)	88
23 Spare parts nozzles T-Racer (2.643-338.0)	89
50 Electric box	92
51 Electric box	93
52 Electric box	95

K 2.99M-PL-VPS *EU (1.421-417.0)

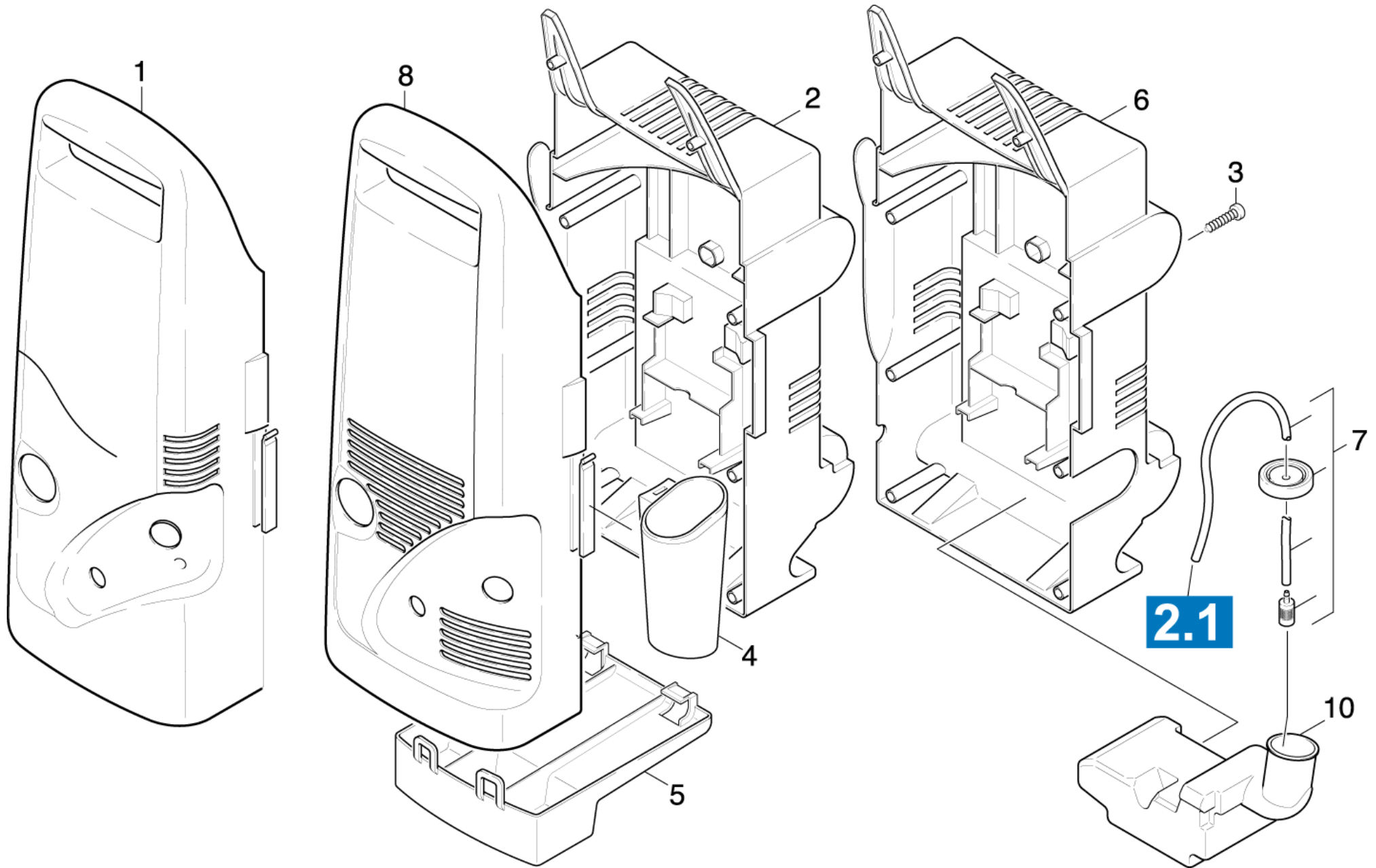
POS	Article no.	Description	Quantity	Unit
201	5.958-968.0	Spare parts list K 29X/29X M	1	PC
	Item text2: 14214000			

201 Spare parts list K 29X/29X M (5.958-968.0)

POS	Description	Quantity	Unit
10	Individual parts	1	PC
20	Pump set	1	PC
30	Motor	1	PC
40	Accessories	1	PC
50	Electric box	1	PC

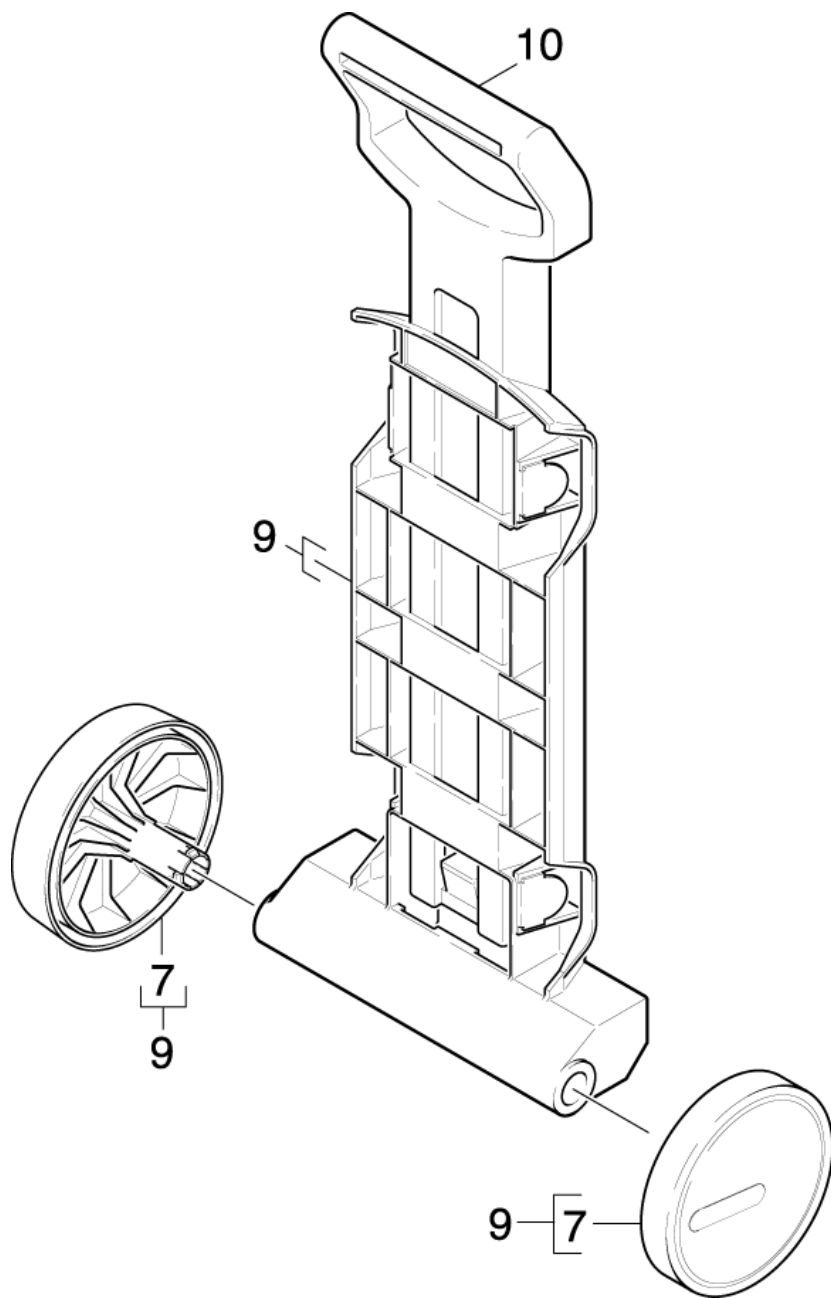
10 Individual parts

POS	Description	Quantity	Unit
11	Individual parts	1	PC
12	Assembly group TROLLY	1	PC



11 Individual parts

POS	Article no.	Description	Quantity	Unit	Remark
8	7.777-999.0	Stockpiling discontinued	1	PC	K2.97
7	9.011-711.0	Filter cleaning agents complete	1	PC	
	Item text1: / 1.421-210.0 / -408.0 / -411.0				
	Item text2: / -414.0 / -741.0 / -820.0/ -218.0/ -401				
10	9.036-664.0	Tank cleaning agents K2.9X	1	PC	
	Item text1: / 1.421-210.0 /-217.0 /-218.0 /-401.0				
	Item text2: -408.0 /-411.0 /-414.0 /-741.0 /-820				
2	9.036-716.0	Cover rear K 29X	1	PC	
5	9.036-718.0	Pedestal K297/299	1	PC	
4	9.036-719.0	Holder accessories K 29X	1	PC	
6	9.036-887.0	Cover rear K2.9X	1	PC	
	Item text1: / 1.421-210.0 /-217.0 /-218.0 /-401.0				
	Item text2: -408.0 /-411.0 /-414.0 /-741.0 /-820				
1	9.037-141.0	Cover front	1	PC	K2.99
3	9.086-221.0	Screw ATF 4.1x22	8	PC	

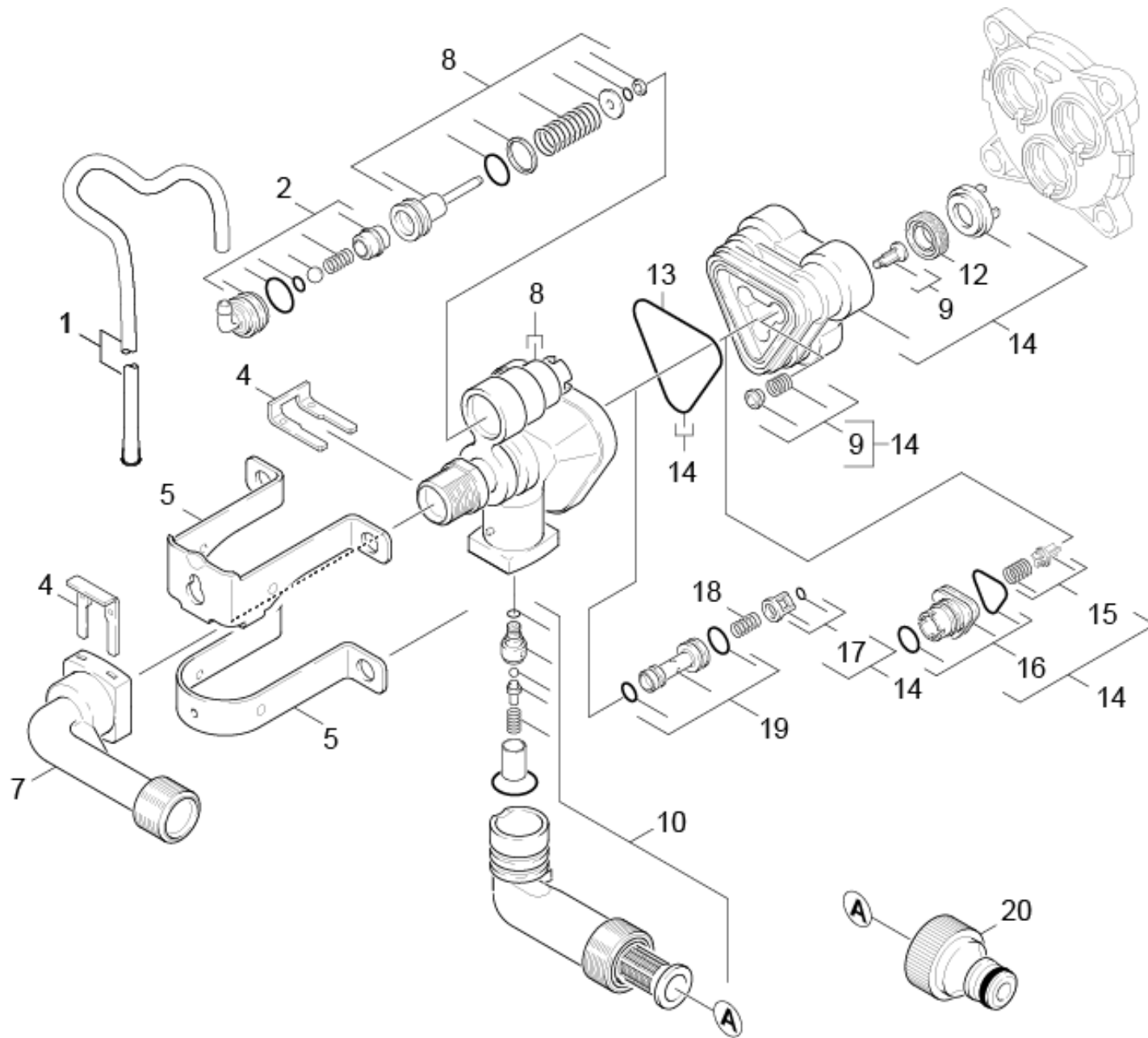


12 Assembly group TROLLY

POS	Article no.	Description	Quantity	Unit
7	9.001-139.0	Wheel complete	2	PC
9	9.011-381.0	Trolley with wheels K 2.9XM	1	PC
10	9.036-361.0	Handhold chassis	1	PC

20 Pump set

POS	Description	Quantity	Unit	valid from	valid until
21	Housing	1	PC		199999
22	Thrust guidance	1	PC		199999
23	Housing	1	PC	200000	
24	Thrust guidance	1	PC	200000	

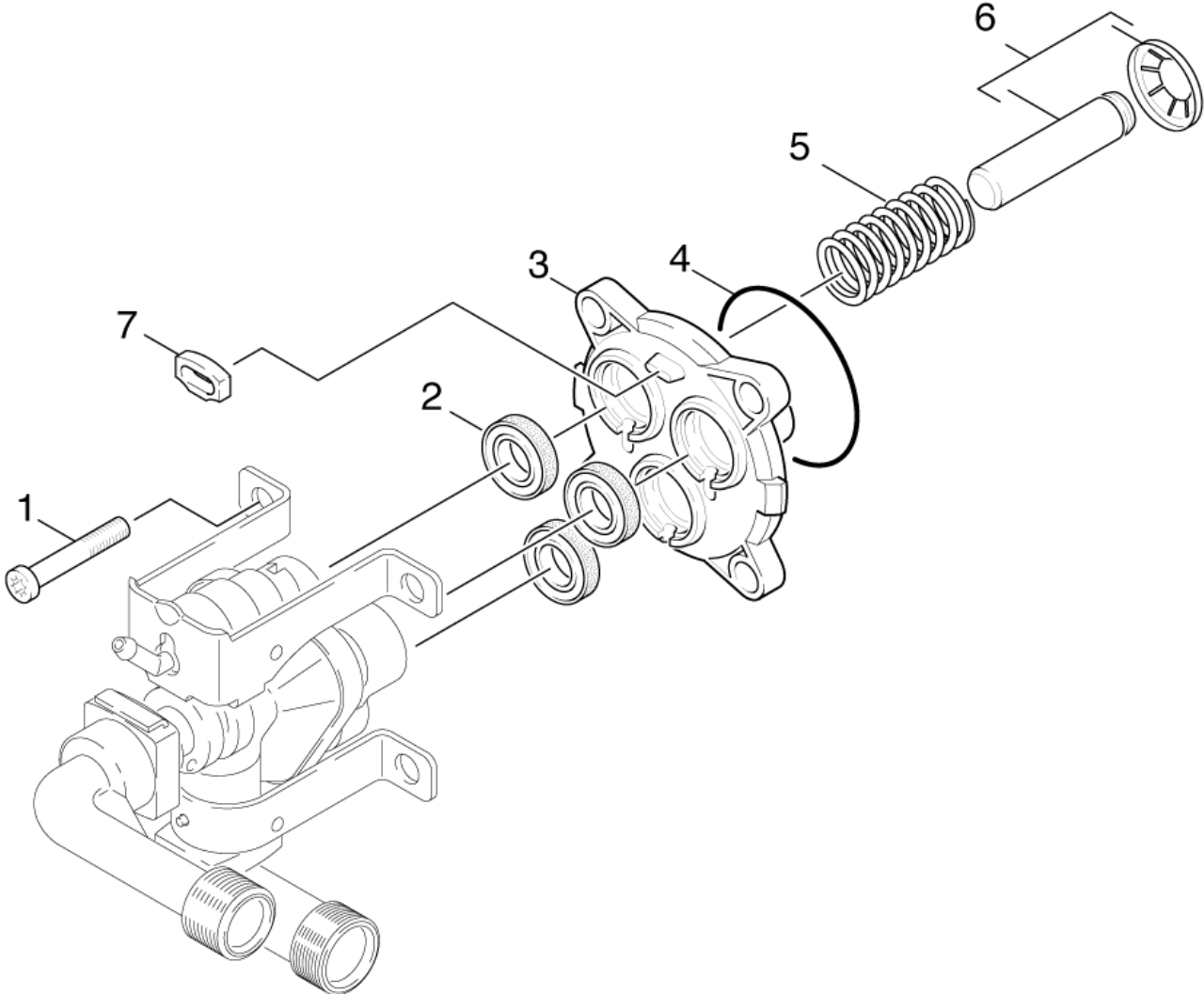


21 Housing

POS	Article no.	Description	Quantity	Unit	Foot note text
12	6.362-875.0	Grooved ring	3	PC	
20	6.465-031.0	Connection cpl. 3/4	1	PC	
5	7.777-999.0	Stockpiling discontinued	1	PC	
16	9.001-106.0	Joining piece	1	PC	
17	9.001-107.0	Cage complete	1	PC	
19	9.001-108.0	Injector complete	1	PC	
9	9.001-110.0	Moulded part complete	1	PC	SET CONSISTS OF 3X MACHINED PART COMPL.
15	9.001-149.0	Spare parts set valve	1	PC	SET CONSITSTS OF 3X VALVE
10	9.001-212.0	Spare part set inlet fitting K 29X	1	PC	
14	9.001-215.0	Spare part set cylinder head	1	PC	
8	9.001-219.0	Housing and control piston	1	PC	
2	9.001-741.0	Aspiration cleaning agents for replaceme	1	PC	
1	9.011-911.0	Filter cleaning agents W107/207	1	PC	
7	9.036-703.0	Connection delivery side	1	PC	
4	9.039-148.0	Metal fork	2	PC	
18	9.047-026.0	Spring	1	PC	
13	9.081-422.0	Form seal	1	PC	

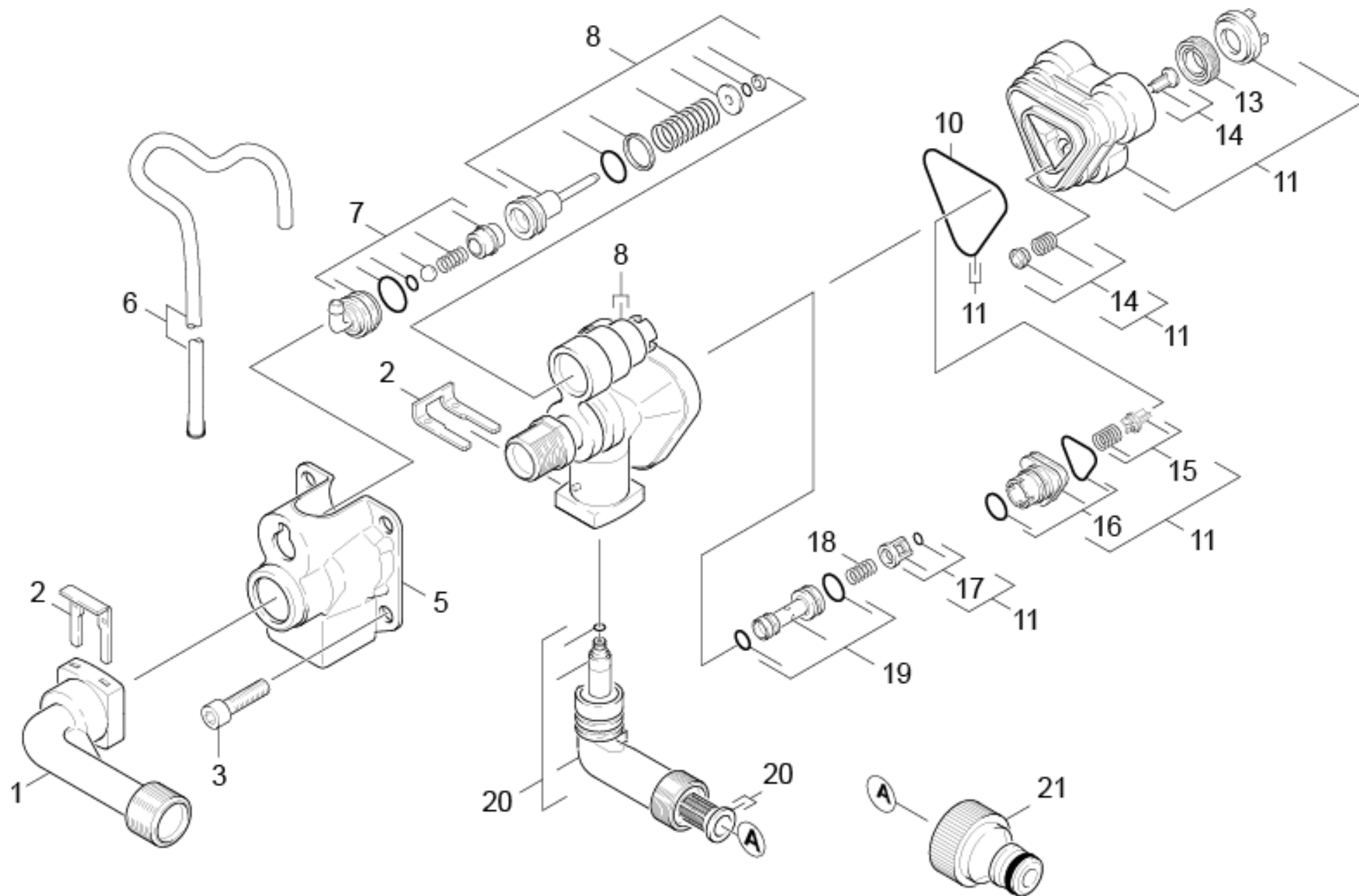
10 Spare part set inlet fitting K 29X (9.001-212.0)

POS	Article no.	Description	Quantity	Unit
1	9.037-138.0	Suction connection	1	PC



22 Thrust guidance

POS	Article no.	Description	Quantity	Unit	Foot note text
4	6.362-902.0	O-Ring 60x2,5 NBR 70	1	PC	
2	6.964-026.0	Grooved ring	3	PC	
6	9.001-102.0	Piston complete	1	PC	SET CONSISTS OF 3X PISTON COMPL.
3	9.042-151.0	Pistons guide pump K5 FC machined	1	PC	
5	9.047-023.0	Spring	3	PC	
7	9.048-071.0	Spacer - Seal	1	PC	
1	9.086-186.0	Screw M8x30 A2K	4	PC	

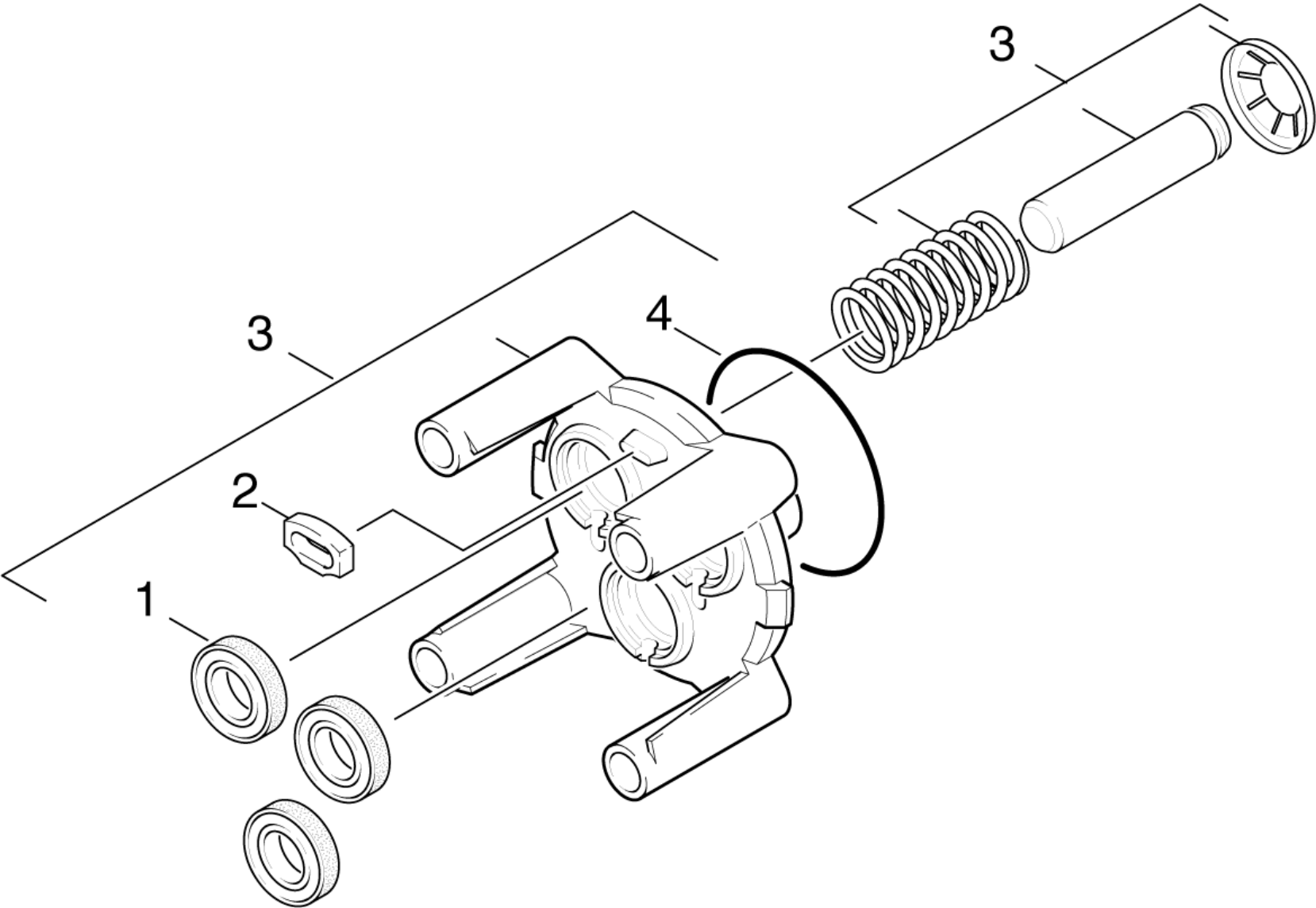


23 Housing

POS	Article no.	Description	Quantity	Unit	Foot note text
13	6.362-875.0	Grooved ring	3	PC	
21	6.465-031.0	Connection cpl. 3/4	1	PC	
16	9.001-106.0	Joining piece	1	PC	
17	9.001-107.0	Cage complete	1	PC	
19	9.001-108.0	Injector complete	1	PC	
14	9.001-110.0	Moulded part complete	1	PC	SET CONSISTS OF 3X MACHINED PART COMPL.
15	9.001-149.0	Spare parts set valve	1	PC	SET CONSITSTS OF 3X VALVE
20	9.001-212.0	Spare part set inlet fitting K 29X	1	PC	
11	9.001-215.0	Spare part set cylinder head	1	PC	
8	9.001-219.0	Housing and control piston	1	PC	
7	9.001-741.0	Aspiration cleaning agents for replaceme	1	PC	
6	9.011-911.0	Filter cleaning agents W107/207	1	PC	
1	9.036-703.0	Connection delivery side	1	PC	
2	9.039-148.0	Metal fork	2	PC	
5	9.039-511.0	HR MANIFOLD flange	1	PC	
18	9.047-026.0	Spring	1	PC	
10	9.081-422.0	Form seal	1	PC	
3	9.086-200.0	Screw M 8x55 Class 8.8	4	PC	

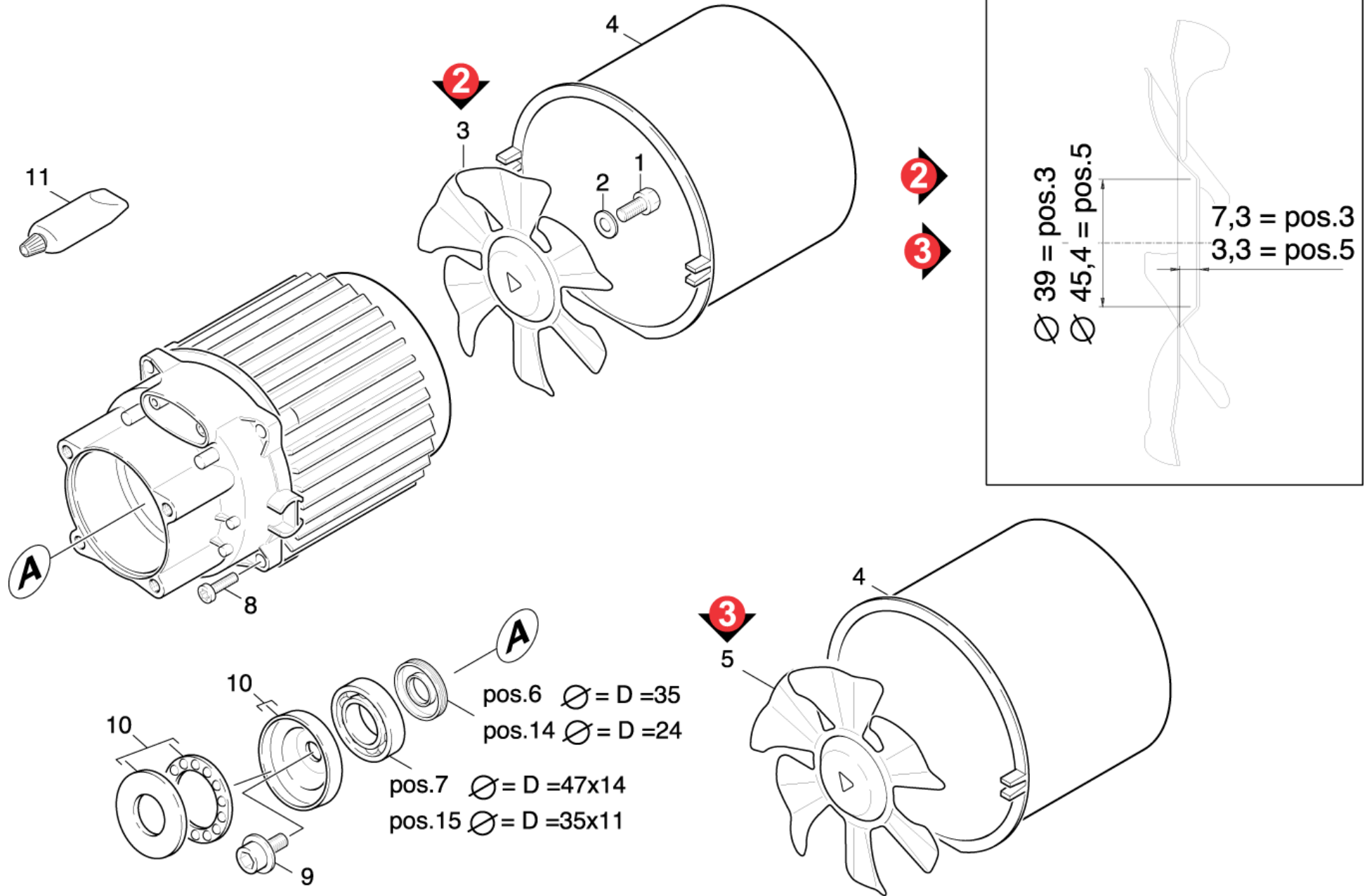
20 Spare part set inlet fitting K 29X (9.001-212.0)

POS	Article no.	Description	Quantity	Unit
1	9.037-138.0	Suction connection	1	PC



24 Thrust guidance

POS	Article no.	Description	Quantity	Unit
4	6.362-826.0	O-Ring seal 61,6x2,62	1	PC
1	6.964-026.0	Grooved ring	3	PC
3	9.001-251.0	Piston guidance complete	1	PC
2	9.048-071.0	Spacer - Seal	1	PC

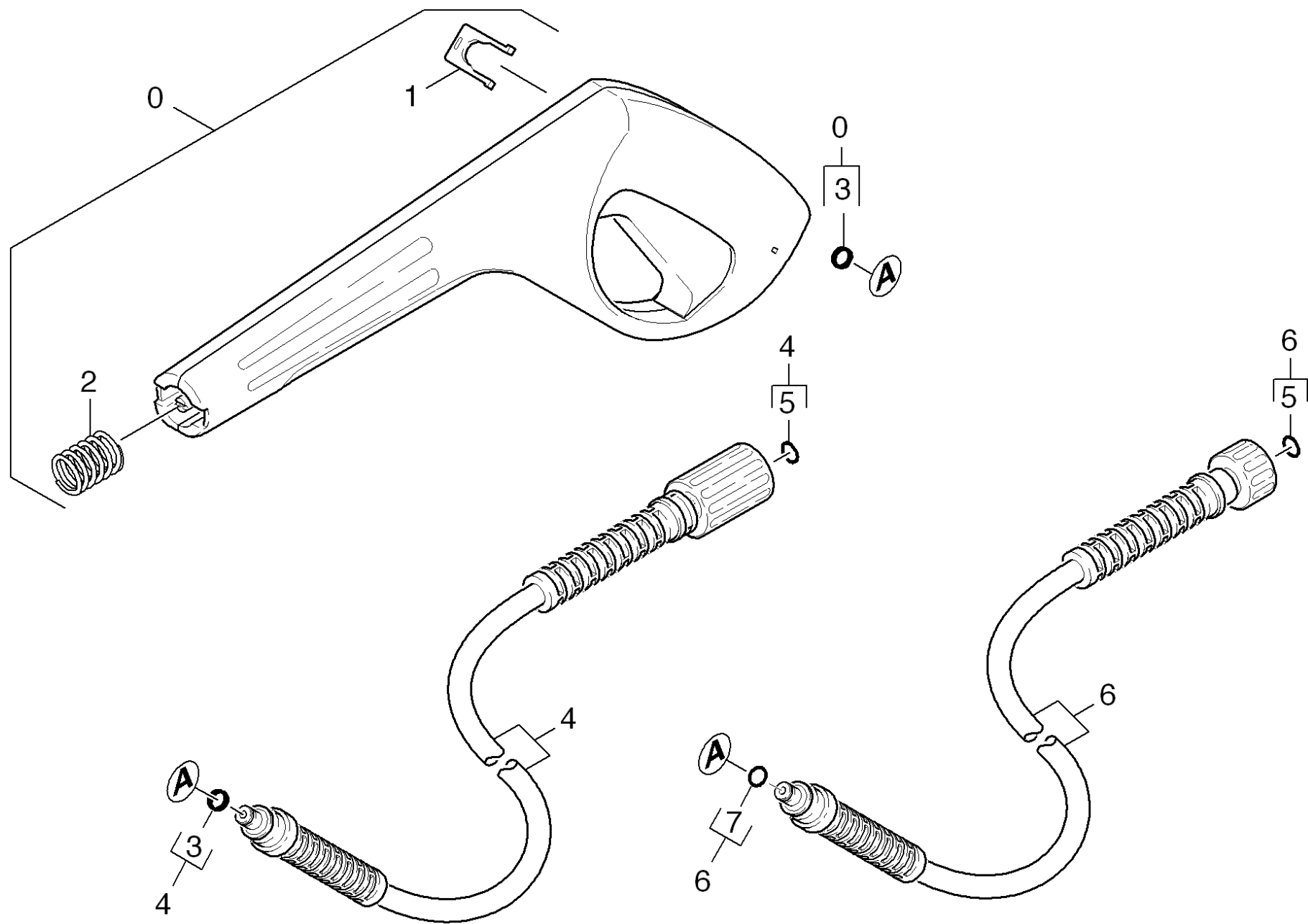


30 Motor

POS	Article no.	Description	Quantity	Unit	Remark
8	6.303-320.0	Screw M 5x 20-St-R2R	4	PC	
4	6.964-090.0	Housing blower	1	PC	
11	6.964-092.0	Viscous oil 50ml	1	PC	
1	7.304-395.0	Hexagonal head screw M8x16-8.8-A2E ISO	1	PC	
2	7.312-233.0	Serrated lock washer A8,4-FSt-A3E DIN67	1	PC	
7	7.401-010.0	Ball bearing 6303 St DIN 625-1	1	PC	D=47X14
15	7.401-120.0	Ball bearing 6202 -Wälzl.St DIN 625	1	PC	D=35X11
10	9.001-299.0	Wobble plate	1	PC	
3	9.039-102.0	Blower wheel	1	PC	VERSION 2
5	9.039-188.0	Blower wheel	1	PC	VERSION 3
6	9.078-007.0	Rotary shaft seal 17x35x5	1	PC	D=35
14	9.078-008.0	Saeling ring d. 15x24x5 NBR 70	1	PC	D=24
9	9.086-169.0	Wobble plate screw M8x16	1	PC	

40 Accessories

POS	Description	Quantity	Unit	Remark
41	Hand trigger gun	1	PC	VERSION 1
42	Hand trigger gun	1	PC	VERSION 2
43	Jet pipe	1	PC	
44	T-Racer T 50	1	PC	
45	T-Racer T 100	1	PC	
46	T-Racer T 300	1	PC	



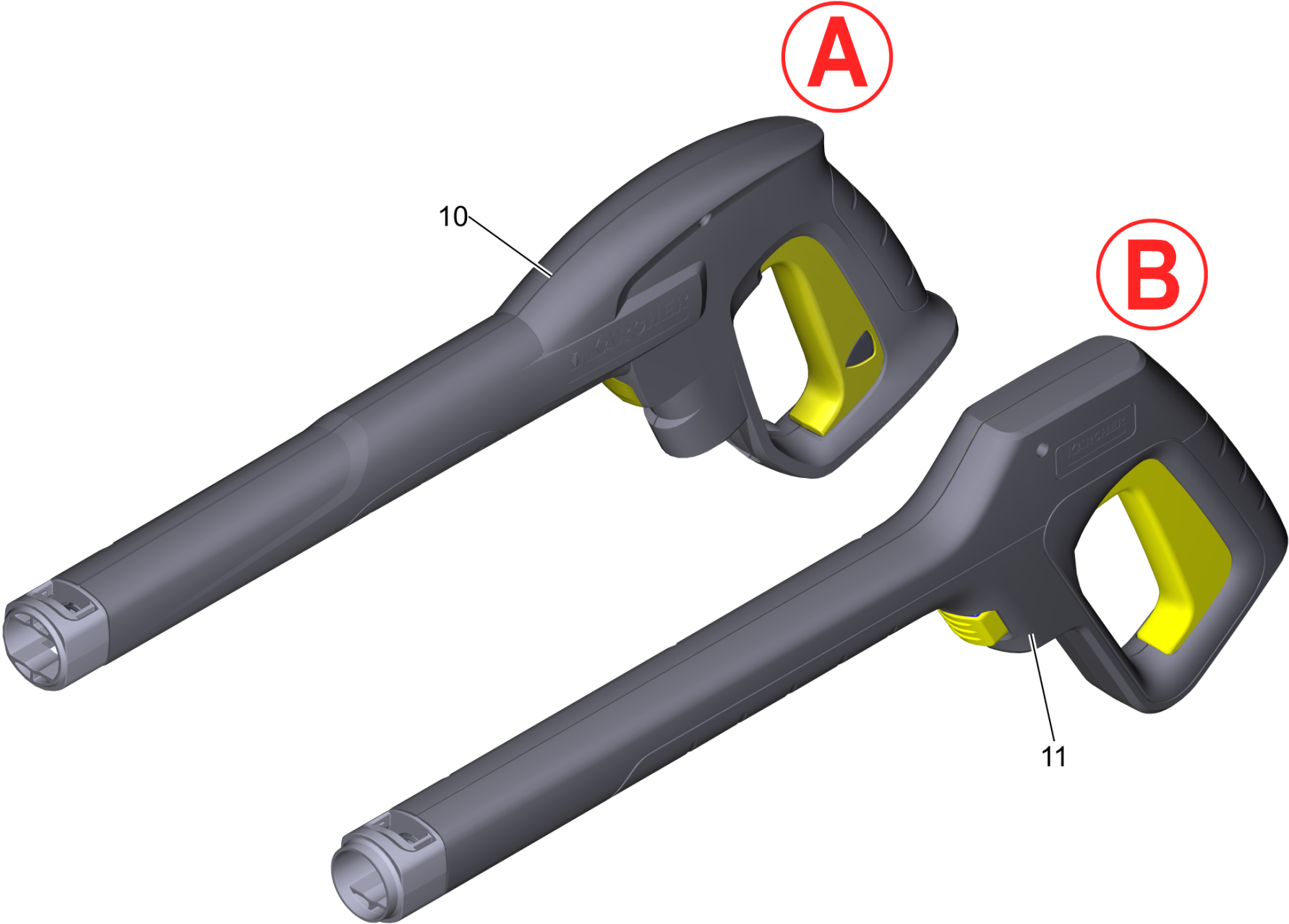
41 Hand trigger gun

POS	Article no.	Description	Quantity	Unit	Remark
6	2.643-910.0	HK 75 high pressure hose set+trigger gu	1	PC	6,0M
5	2.880-990.0	Spare part set O-Ring 5x -Kaercher	1	PC	
4	4.440-673.0	High pressure hose 12/16MPa,Kaer.,60G	1	PC	7,5M
1	5.037-164.0	Clamp	1	PC	
2	5.332-464.0	Pressure spring	1	PC	
7	6.362-498.0	O-Ring seal 6,75x1,78 NBR 70	1	PC	
3	6.363-198.0	O-Ring seal 6x2 90 shore PUR	1	PC	
0	7.777-999.0	Stockpiling discontinued	1	PC	



6 HK 75 high pressure hose set+trigger gu (2.643-910.0)

POS	Article no.	Description	Quantity	Unit
1		Pistol alternative	1	PC
2	2.641-721.0	H 9 Q high pressure hose Quick Connect	1	PC
3	4.470-041.0	High pressure quick-fitting pipe union A	1	PC



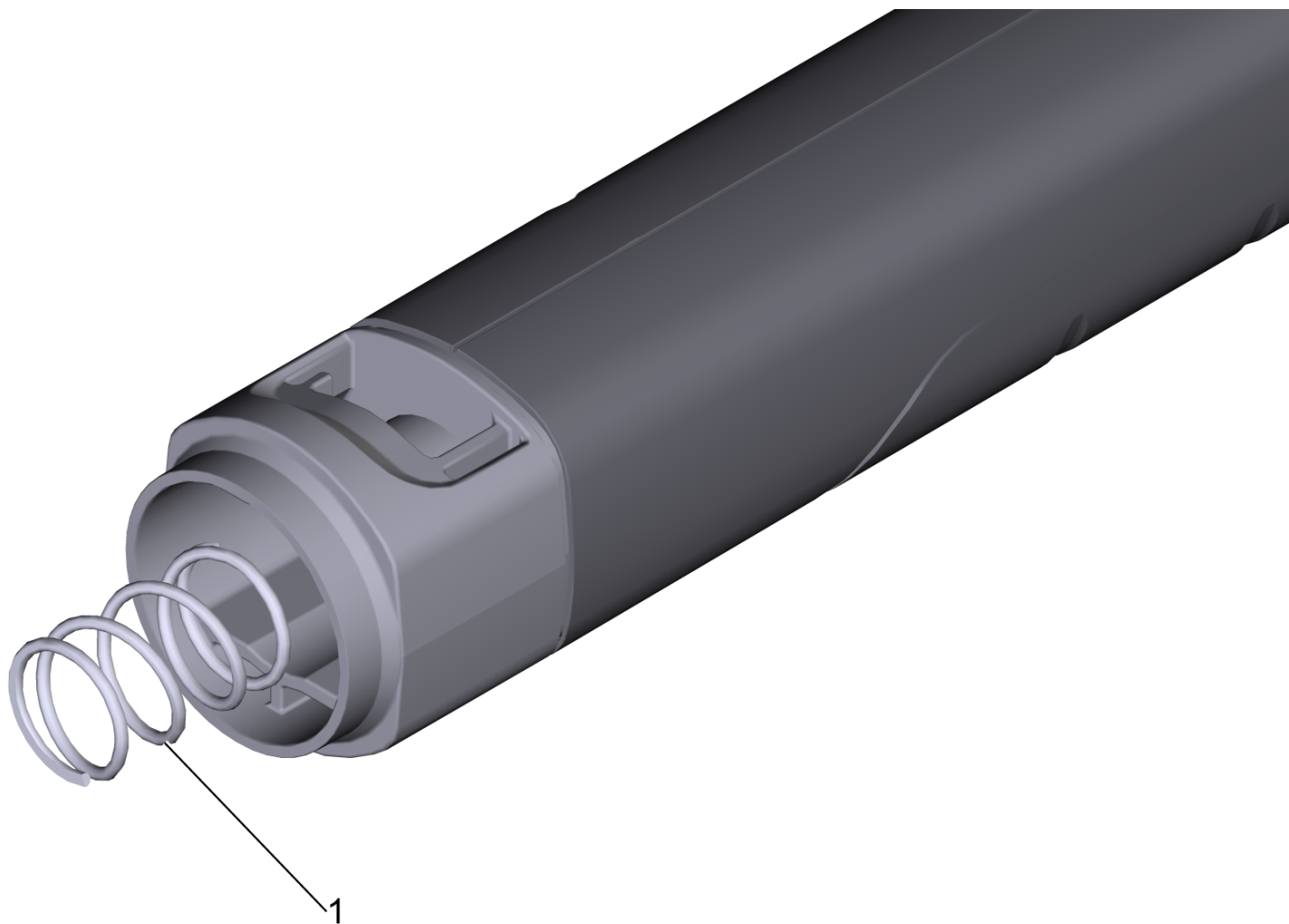
1 Pistol alternative

POS	Article no.	Description	Quantity	Unit	Foot note text
10	2.642-889.0	G 180 Q gun	1	PC	VERSION A
11	4.775-616.3	G 135 Q	1	PC	VERSION B



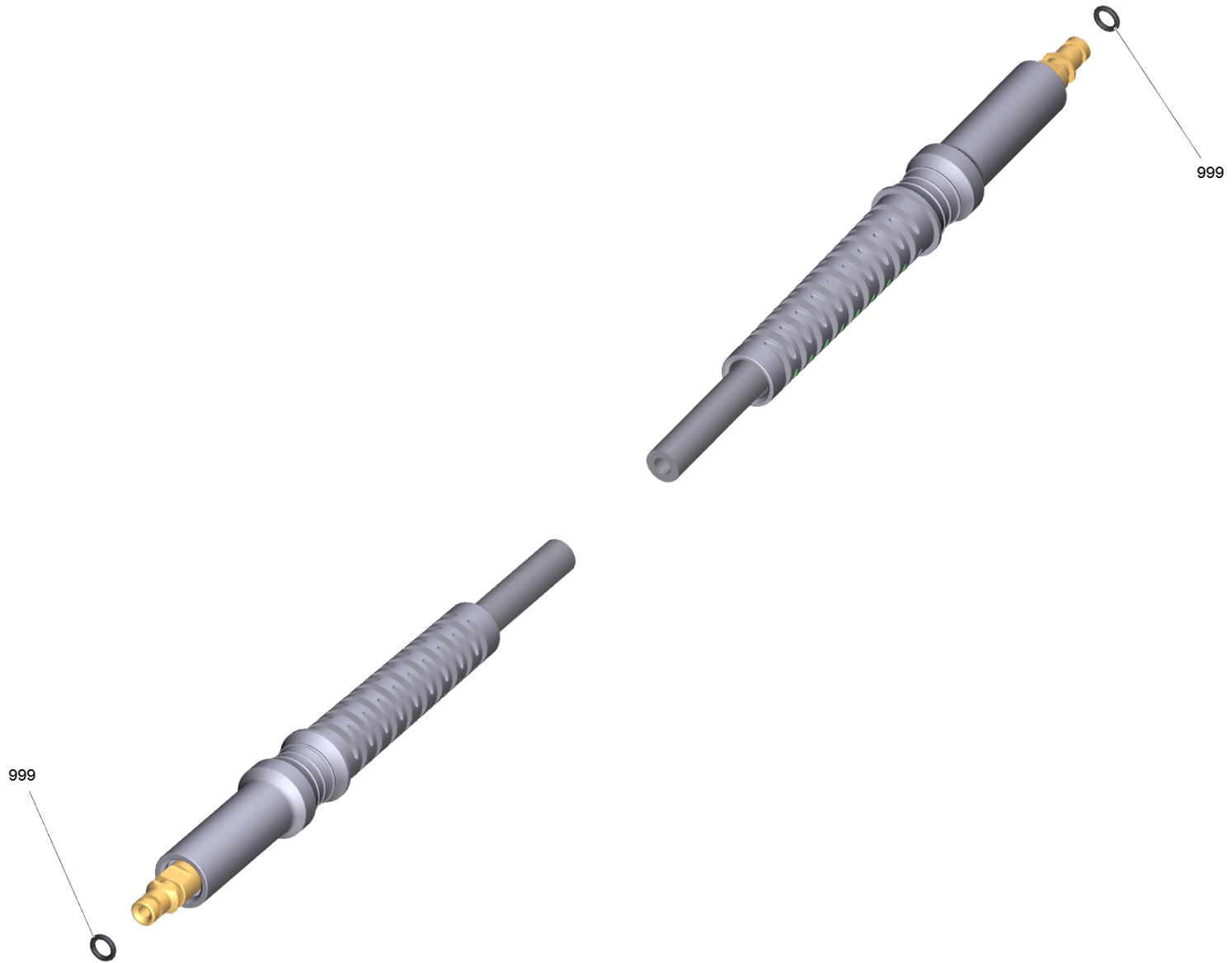
10 G 180 Q gun (2.642-889.0)

POS	Article no.	Description	Quantity	Unit
1	5.332-464.0	Pressure spring	1	PC



11 G 135 Q (4.775-616.3)

POS	Article no.	Description	Quantity	Unit
1	5.332-464.0	Pressure spring	1	PC

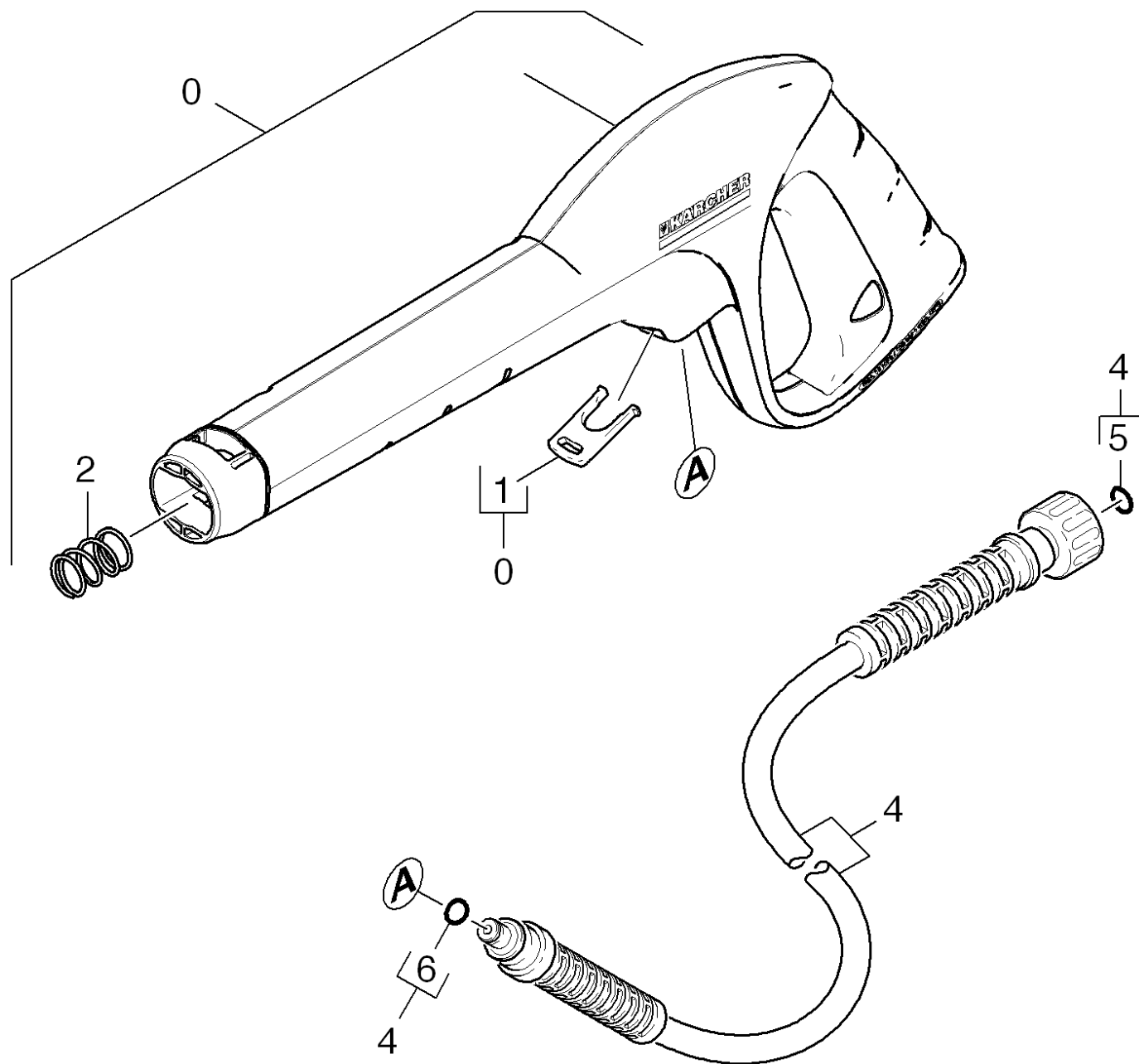


2 H 9 Q high pressure hose Quick Connect (2.641-721.0)

POS	Article no.	Description	Quantity	Unit
999	2.640-729.0	O-Ring seal set	1	PC

999 O-Ring seal set (2.640-729.0)

POS	Article no.	Description	Quantity	Unit
10	4.101-395.0	Drain plug with O-Ring seal	1	PC



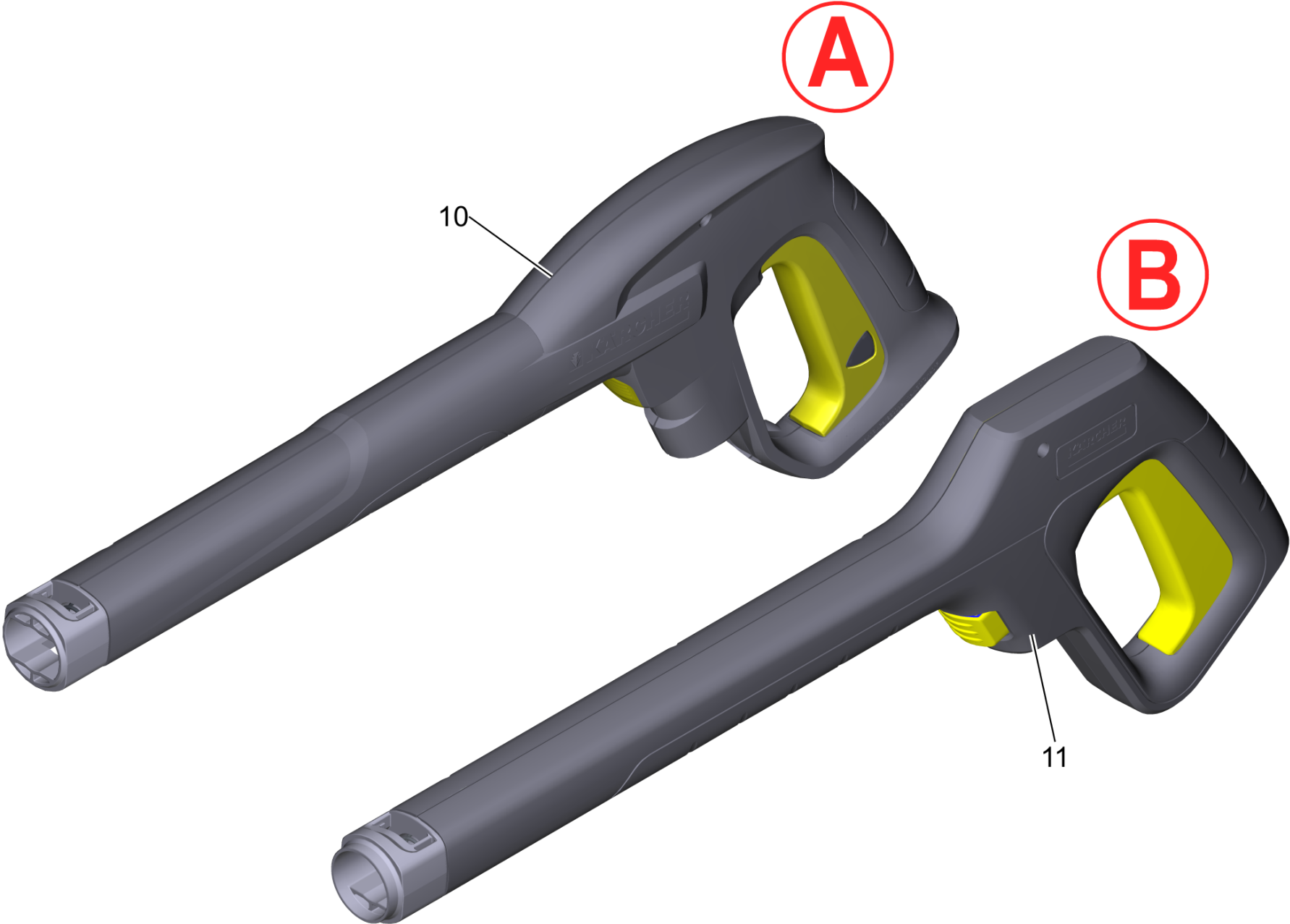
42 Hand trigger gun

POS	Article no.	Description	Quantity	Unit
0	2.641-959.0	G 160 pistol	1	PC
4	2.643-910.0	HK 75 high pressure hose set+trigger gu	1	PC
5	2.880-990.0	Spare part set O-Ring 5x -Kaercher	1	PC
1	5.037-185.0	Clamp	1	PC
2	5.332-464.0	Pressure spring	1	PC
6	6.362-498.0	O-Ring seal 6,75x1,78 NBR 70	1	PC



4 HK 75 high pressure hose set+trigger gu (2.643-910.0)

POS	Article no.	Description	Quantity	Unit
1		Pistol alternative	1	PC
2	2.641-721.0	H 9 Q high pressure hose Quick Connect	1	PC
3	4.470-041.0	High pressure quick-fitting pipe union A	1	PC



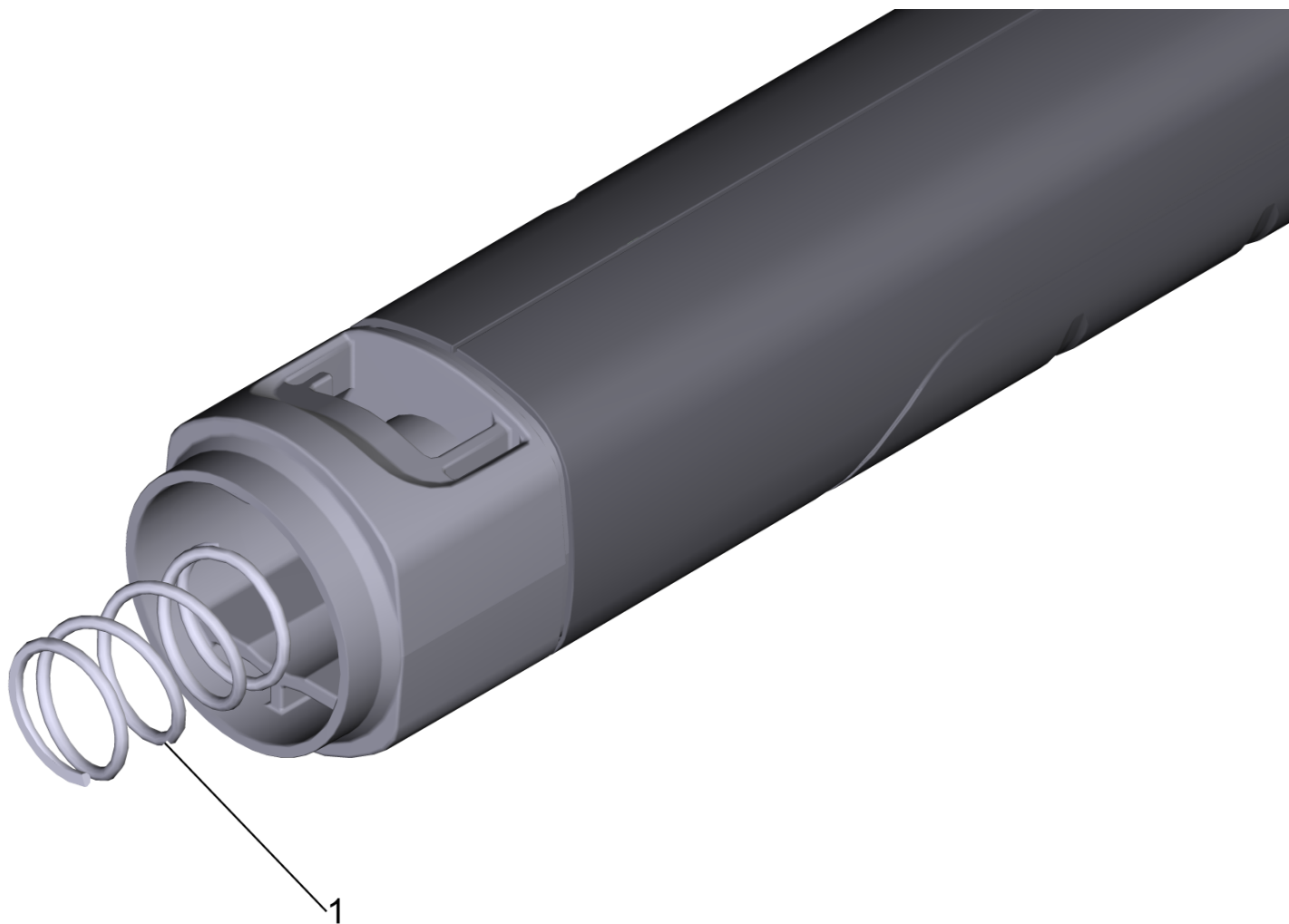
1 Pistol alternative

POS	Article no.	Description	Quantity	Unit	Foot note text
10	2.642-889.0	G 180 Q gun	1	PC	VERSION A
11	4.775-616.3	G 135 Q	1	PC	VERSION B



10 G 180 Q gun (2.642-889.0)

POS	Article no.	Description	Quantity	Unit
1	5.332-464.0	Pressure spring	1	PC



11 G 135 Q (4.775-616.3)

POS	Article no.	Description	Quantity	Unit
1	5.332-464.0	Pressure spring	1	PC

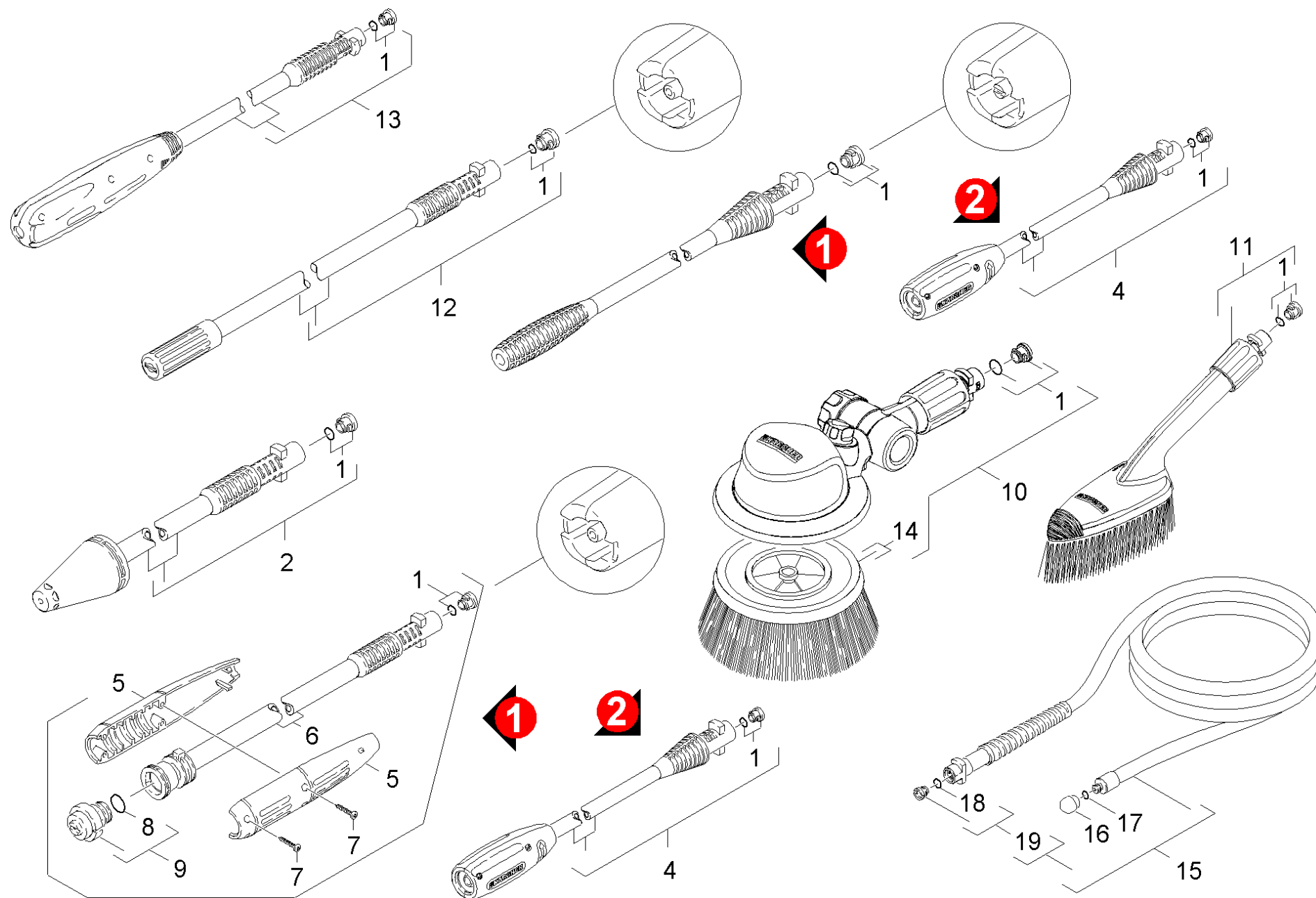


2 H 9 Q high pressure hose Quick Connect (2.641-721.0)

POS	Article no.	Description	Quantity	Unit
999	2.640-729.0	O-Ring seal set	1	PC

999 O-Ring seal set (2.640-729.0)

POS	Article no.	Description	Quantity	Unit
10	4.101-395.0	Drain plug with O-Ring seal	1	PC

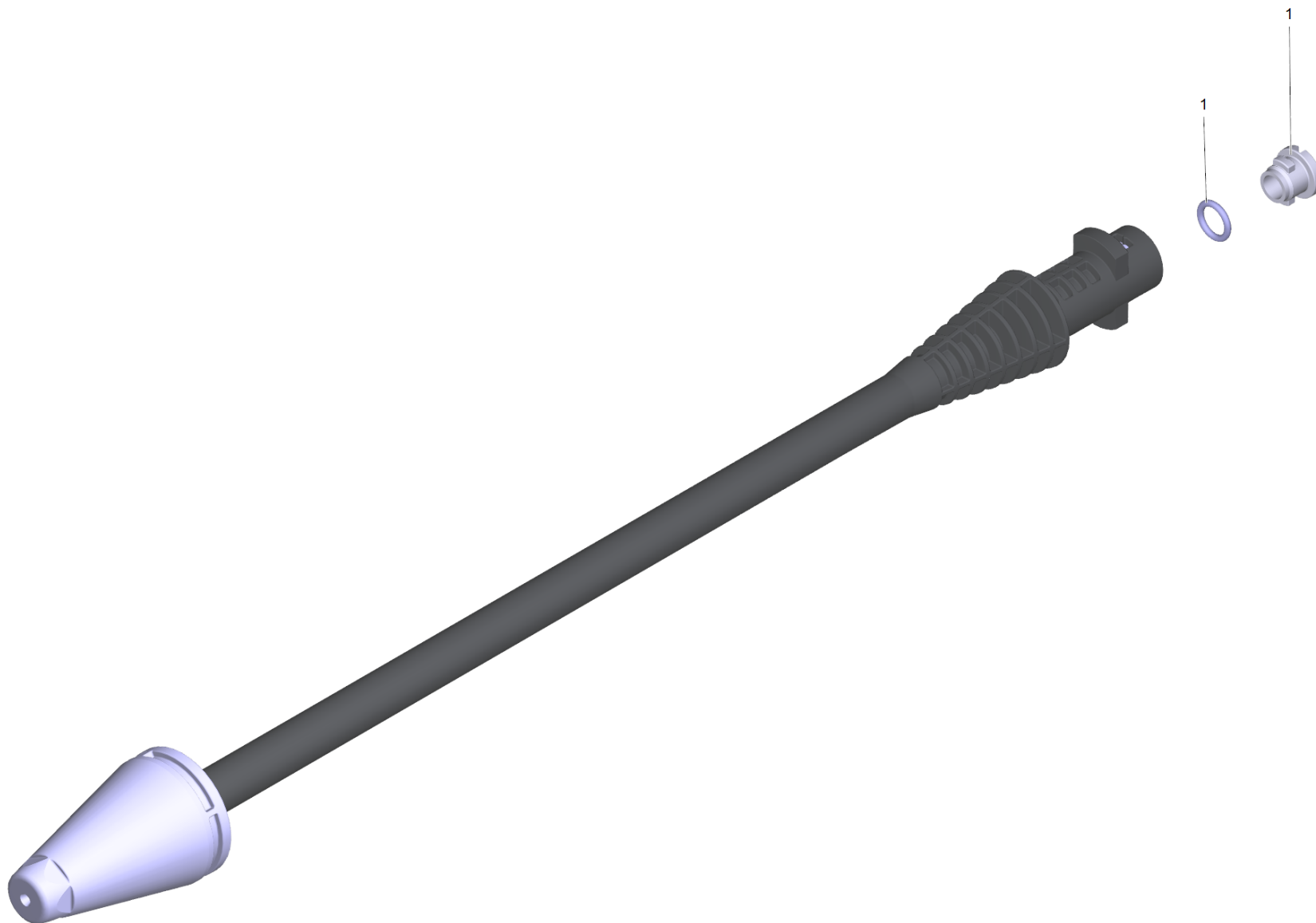


43 Jet pipe

POS	Article no.	Description	Quantity	Unit
15	2.637-729.0	PC 7.5 pipe cleaning set	1	PC
11	2.640-589.0	Brush lengthwise	1	PC
1	2.640-729.0	O-Ring seal set	1	PC
10	2.643-236.0	WB 100 washing brush	1	PC
19	2.883-112.0	Spare part set screw plug	1	PC
4	4.760-535.0	VPS K2 025	1	PC
2	4.764-260.0	Dirt blaster 027 St - CEM	1	PC
14	5.762-331.0	Carrier brushes	1	PC
16	5.763-022.0	Nozzle Kärcher	1	PC
7	6.303-122.0	M4 .2X13 DIN 7981 TORX T15 PAN HD HI/LO	4	PC
17	6.362-388.0	O-Ring seal 8,0x1,5 -EPDM 70	1	PC
8	6.362-534.0	O-Ring seal 18,0 X 2,0-NBR 70	1	PC
18	6.362-642.0	O-Ring d. 7,65x1,78 -NBR 80	1	PC
6	7.777-999.0	Stockpiling discontinued	1	PC
9	7.777-999.0	Stockpiling discontinued	1	PC
12	7.777-999.0	Stockpiling discontinued	1	PC
13	7.777-999.0	Stockpiling discontinued	1	PC
5	9.036-402.0	Handhold few complete	1	PC

1 O-Ring seal set (2.640-729.0)

POS	Article no.	Description	Quantity	Unit
10	4.101-395.0	Drain plug with O-Ring seal	1	PC



2 Dirt blaster 027 St - CEM (4.764-260.0)

POS	Article no.	Description	Quantity	Unit
1	2.640-729.0	O-Ring seal set	1	PC

1 O-Ring seal set (2.640-729.0)

POS	Article no.	Description	Quantity	Unit
10	4.101-395.0	Drain plug with O-Ring seal	1	PC

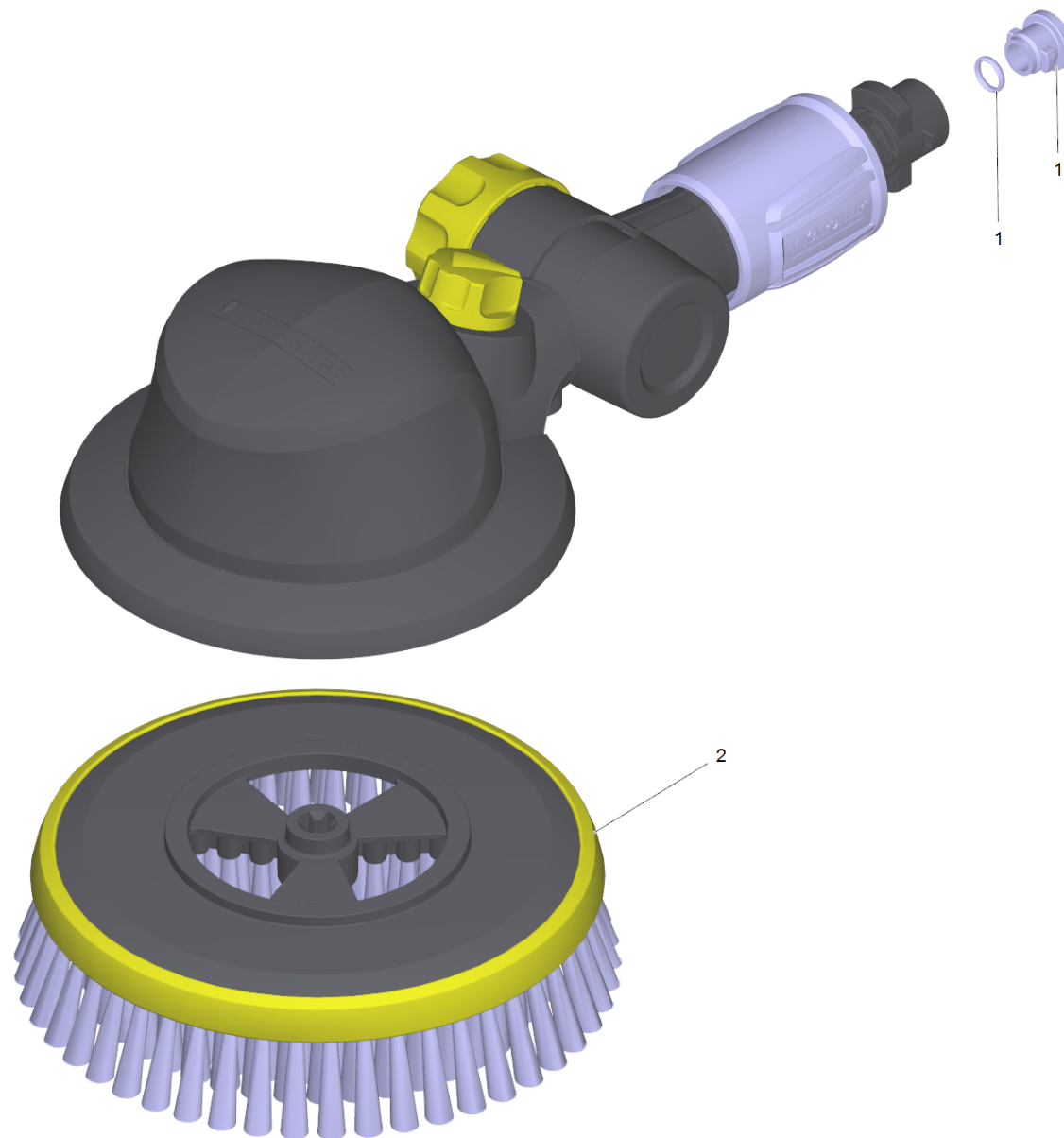


4 VPS K2 025 (4.760-535.0)

POS	Article no.	Description	Quantity	Unit
1	2.640-729.0	O-Ring seal set	1	PC

1 O-Ring seal set (2.640-729.0)

POS	Article no.	Description	Quantity	Unit
10	4.101-395.0	Drain plug with O-Ring seal	1	PC



10 WB 100 washing brush (2.643-236.0)

POS	Article no.	Description	Quantity	Unit
1	2.640-729.0	O-Ring seal set	1	PC
2	5.762-331.0	Carrier brushes	1	PC

1 O-Ring seal set (2.640-729.0)

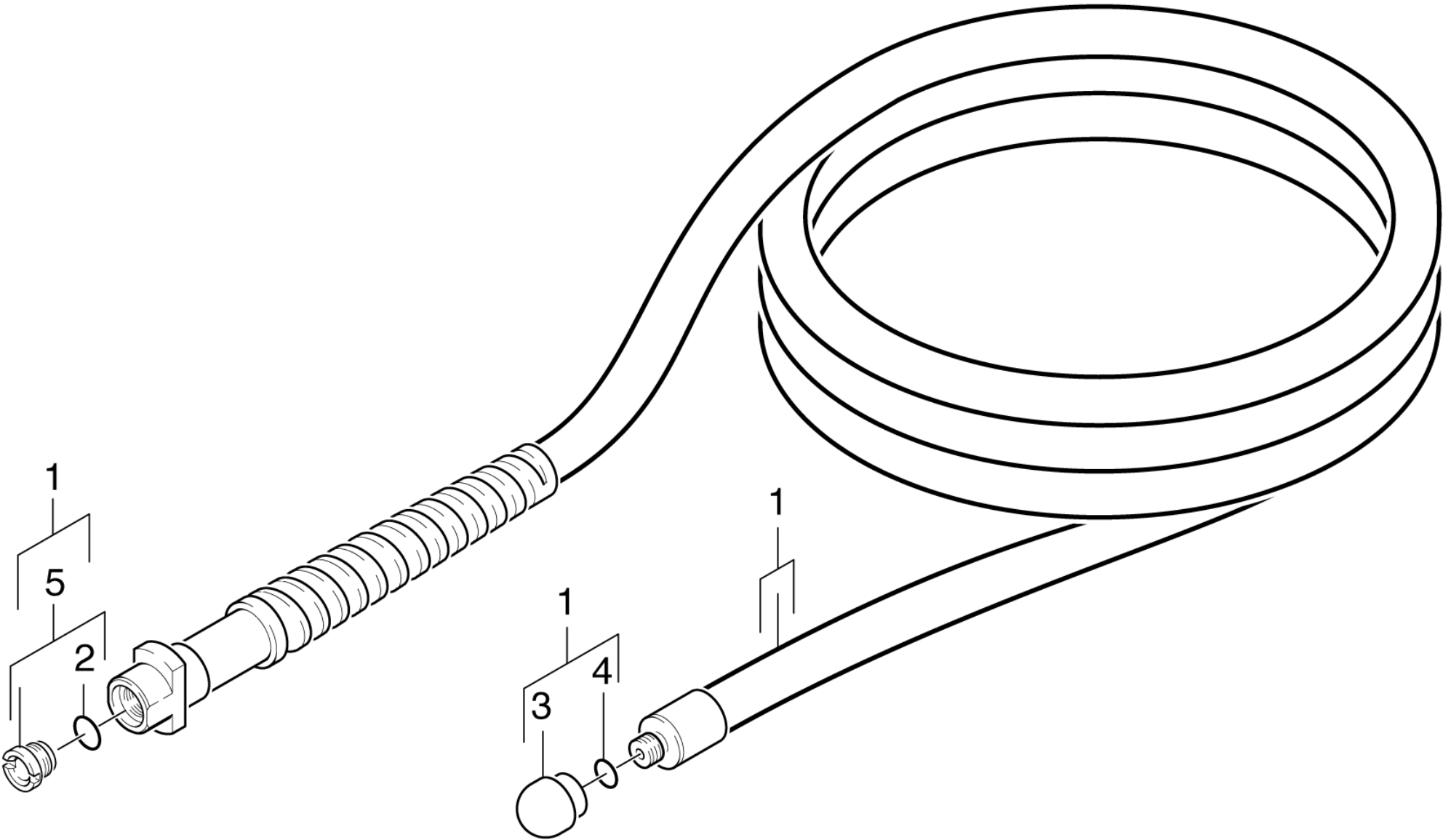
POS	Article no.	Description	Quantity	Unit
10	4.101-395.0	Drain plug with O-Ring seal	1	PC

15 PC 7.5 pipe cleaning set (2.637-729.0)

POS	Article no.	Description	Quantity	Unit
100	5.952-715.0	Spare parts list pipe cleaning set	1	PC

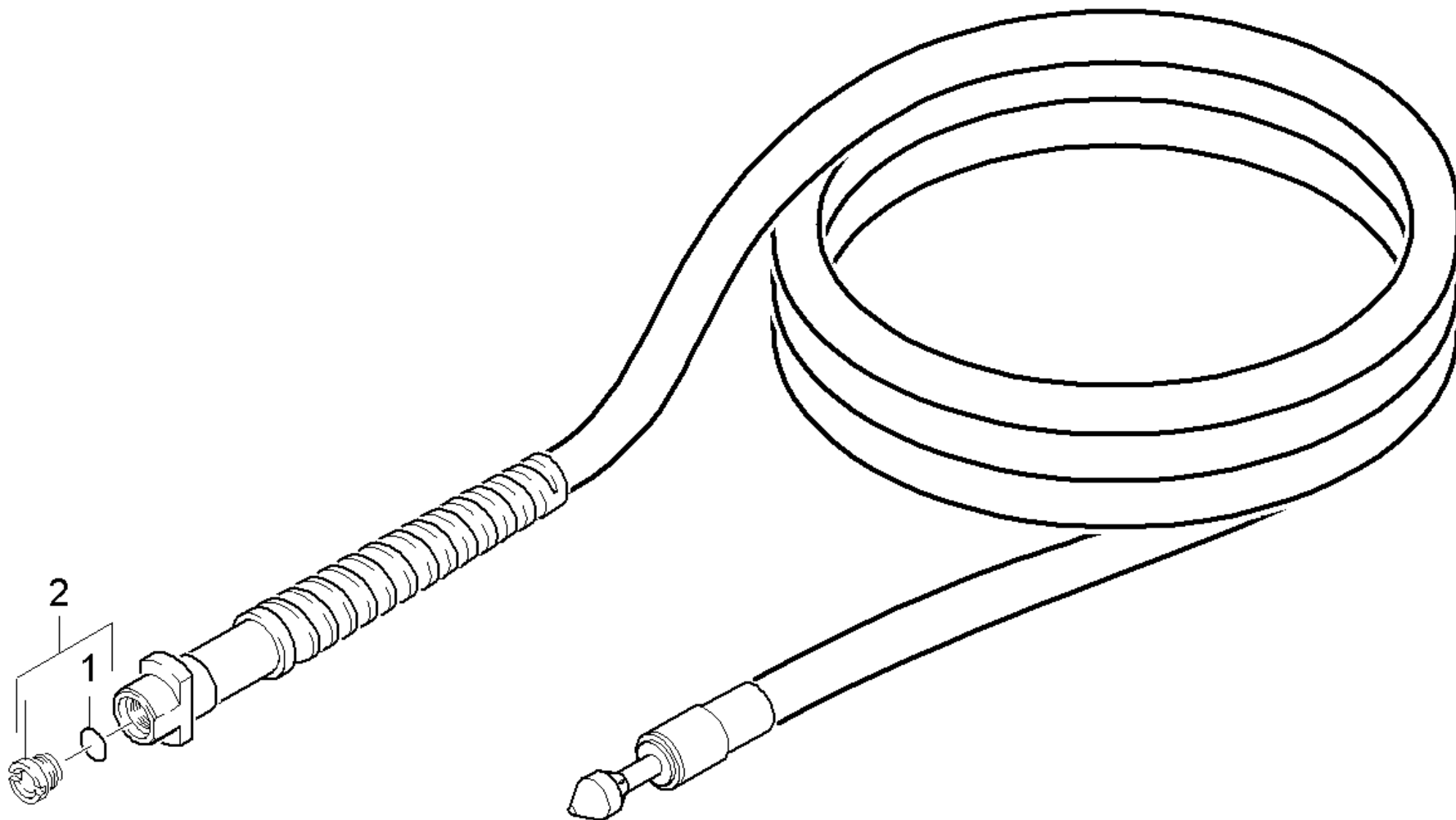
100 Spare parts list pipe cleaning set (5.952-715.0)

POS	Description	Quantity	Unit	Remark
10	Pipe cleaning hose	1	PC	VERSION 1
20	Pipe cleaning hose	1	PC	VERSION 2



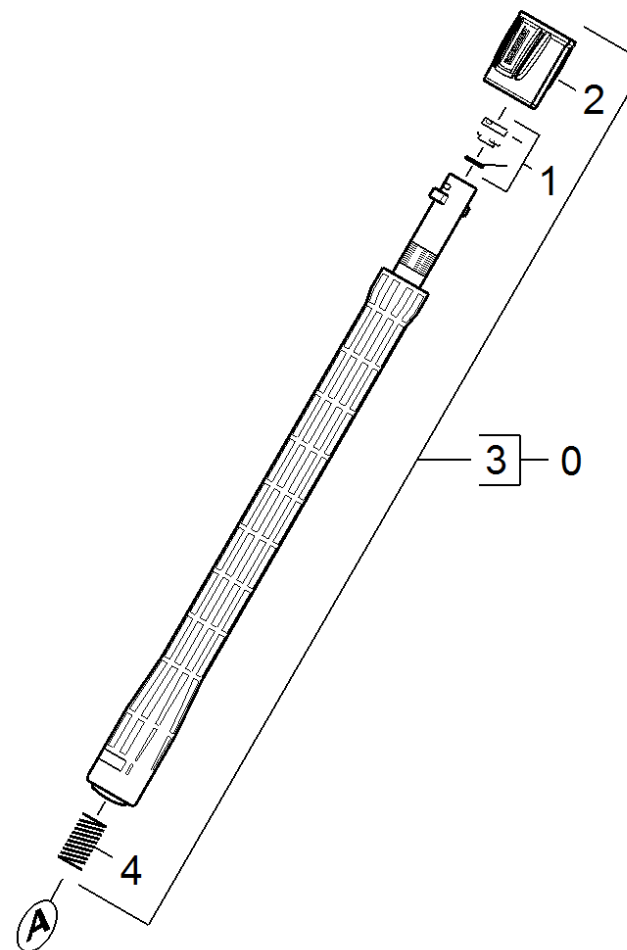
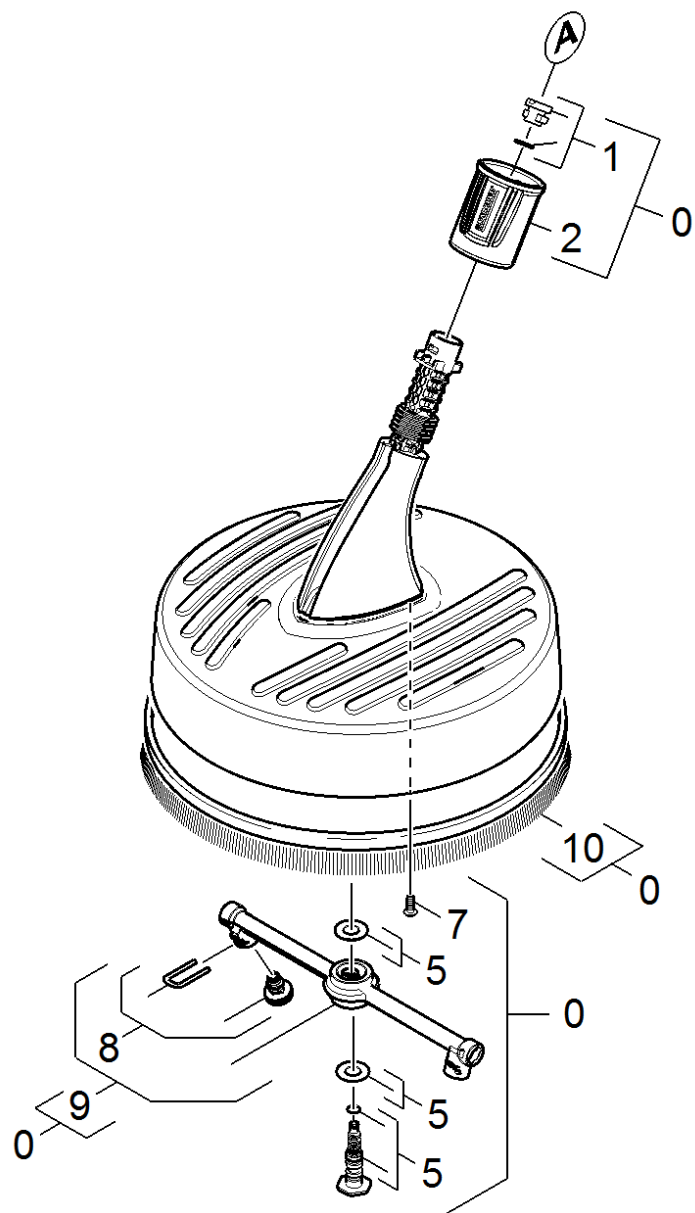
10 Pipe cleaning hose

POS	Article no.	Description	Quantity	Unit
5	2.883-112.0	Spare part set screw plug	1	PC
	Item text1: / 2.637-729.0			
3	5.763-022.0	Nozzle Kärcher	1	PC
2	6.362-182.0	O-Ring seal 7,65x1,78 - NBR 90	1	PC
4	6.362-388.0	O-Ring seal 8,0x1,5 -EPDM 70	1	PC
1	7.777-999.0	Stockpiling discontinued	1	PC



20 Pipe cleaning hose

POS	Article no.	Description	Quantity	Unit
2	2.883-112.0	Spare part set screw plug	1	PC
1	6.362-642.0	O-Ring d. 7,65x1,78 -NBR 80	1	PC



44 T-Racer T 50

POS	Article no.	Description	Quantity	Unit
0	2.640-212.0	T 300 T-Racer surface cleaner	1	PC
1	2.640-729.0	O-Ring seal set	3	PC
3	2.643-240.0	Single-step jet pipe extension	1	PC
8	2.643-338.0	Spare parts nozzles T-Racer	1	PC
5	2.883-994.0	Spare part set set of gaskets neutrally	1	PC
9	2.884-530.0	Spare part set rotor T 50	1	PC
2	5.310-160.0	Nut Kaercher	3	PC
4	5.332-464.0	Pressure spring	2	PC
10	6.369-484.0	Strip brush complete	1	PC
7	7.303-106.0	Screw 4x12-10.9-R2R (In6Rd)	3	PC

1 O-Ring seal set (2.640-729.0)

POS	Article no.	Description	Quantity	Unit
10	4.101-395.0	Drain plug with O-Ring seal	1	PC

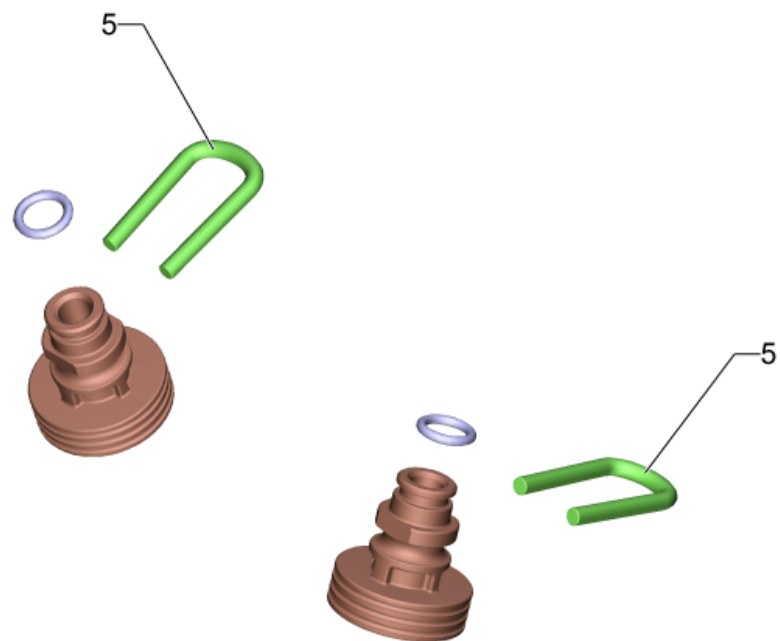


3 Single-step jet pipe extension (2.643-240.0)




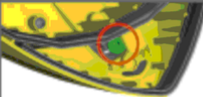




POS	Article no.	Description	Quantity	Unit
3	2.640-729.0	O-Ring seal set	1	PC
10	5.310-160.0	Nut Kaercher	1	PC
8	5.332-464.0	Pressure spring	1	PC




3 O-Ring seal set (2.640-729.0)

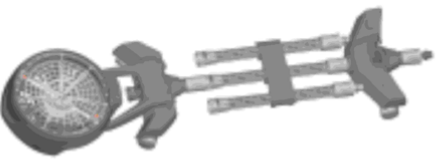


POS	Article no.	Description	Quantity	Unit
10	4.101-395.0	Drain plug with O-Ring seal	1	PC



8 Spare parts nozzles T-Racer (2.643-338.0)

T 50, T 70, T 80, T 100 T 150, T 200, T 250, T 300, T 400, T 450, T 550	K 2 - K 5		
	K 6 - K 7		
T 400, T 450 T 550			
T 200, T 250	K 6 - K 7		
T 350 Gas			

	K 3 - K 5	
	K 6 - K 7	

	K 2	
	K 3 - K 5	

8 Spare parts nozzles T-Racer (2.643-338.0)

POS	Article no.	Description	Quantity	Unit	Remark	Foot note text
3		Nozzle complete 15027	1	PC		BLACK
		Item text1: 027				
4	4.764-190.0	Nozzle kpl. 75047	1	PC		GREEN
		Item text1: 047				
5	5.037-151.0	Clamp	2	PC		
1	7.777-999.0	Stockpiling discontinued	1	PC	<13 MPa (<130 bar)	GREY
		Item text1: 015				
2	7.777-999.0	Stockpiling discontinued	1	PC	13 MPa (130 bar) - 16 MPa (160 bar)	YELLOW
		Item text1: 020				

45 T-Racer T 100

POS	Article no.	Description	Quantity	Unit
5	2.640-729.0	O-Ring seal set	3	PC
0	2.641-361.0	T 200 verpackt	1	PC
1	2.643-240.0	Single-step jet pipe extension	2	PC
7	2.643-338.0	Spare parts nozzles T-Racer	1	PC
6	2.883-994.0	Spare part set set of gaskets neutrally	1	PC
9	5.310-160.0	Nut Kaercher	3	PC
2	5.332-464.0	Pressure spring	2	PC
3	6.369-918.0	Strip brush	1	PC
8	7.777-999.0	Stockpiling discontinued	1	PC



1 Single-step jet pipe extension (2.643-240.0)

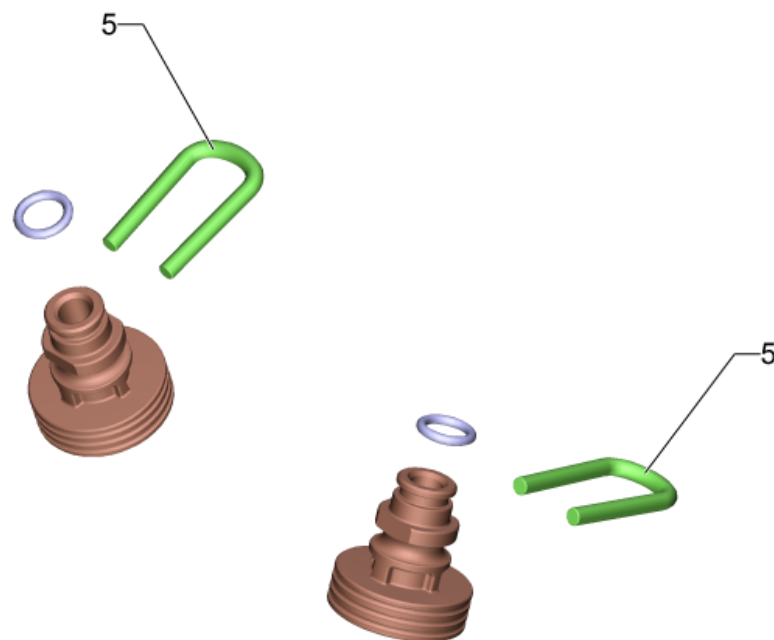
POS	Article no.	Description	Quantity	Unit
3	2.640-729.0	O-Ring seal set	1	PC
10	5.310-160.0	Nut Kaercher	1	PC
8	5.332-464.0	Pressure spring	1	PC




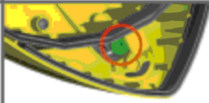




3 O-Ring seal set (2.640-729.0)




POS	Article no.	Description	Quantity	Unit
10	4.101-395.0	Drain plug with O-Ring seal	1	PC




5 O-Ring seal set (2.640-729.0)

POS	Article no.	Description	Quantity	Unit
10	4.101-395.0	Drain plug with O-Ring seal	1	PC



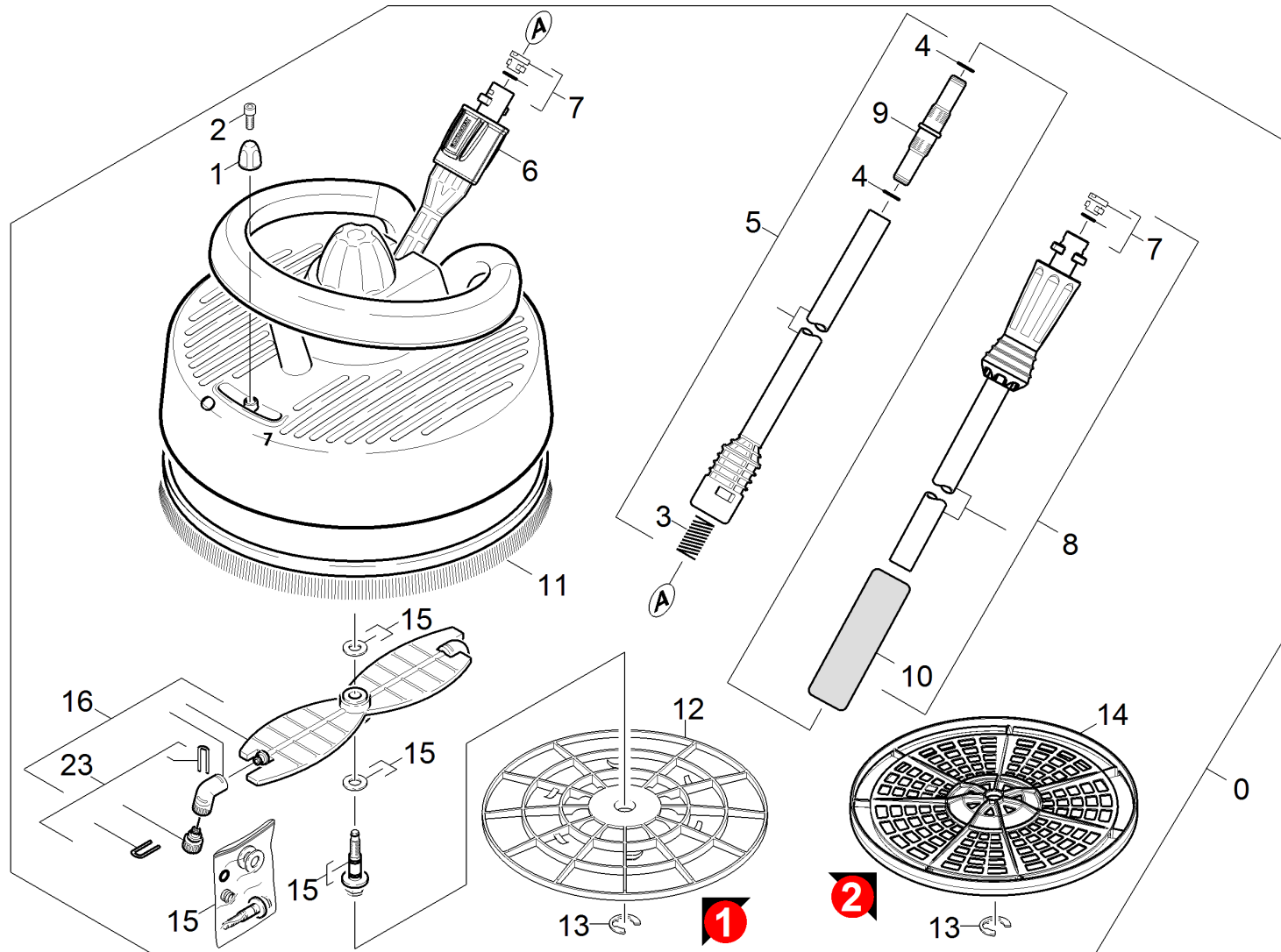
T 50, T 70, T 80, T 100 T 150, T 200, T 250, T 300, T 400, T 450, T 550	K 2 - K 5		
	K 6 - K 7		
T 400, T 450 T 550			
T 200, T 250	K 6 - K 7		
T 350 Gas			

	K 3 - K 5	
	K 6 - K 7	

	K 2	
	K 3 - K 5	

7 Spare parts nozzles T-Racer (2.643-338.0)

POS	Article no.	Description	Quantity	Unit	Remark	Foot note text
3		Nozzle complete 15027	1	PC		BLACK
		Item text1: 027				
4	4.764-190.0	Nozzle kpl. 75047	1	PC		GREEN
		Item text1: 047				
5	5.037-151.0	Clamp	2	PC		
1	7.777-999.0	Stockpiling discontinued	1	PC	<13 MPa (<130 bar)	GREY
		Item text1: 015				
2	7.777-999.0	Stockpiling discontinued	1	PC	13 MPa (130 bar) - 16 MPa (160 bar)	YELLOW
		Item text1: 020				

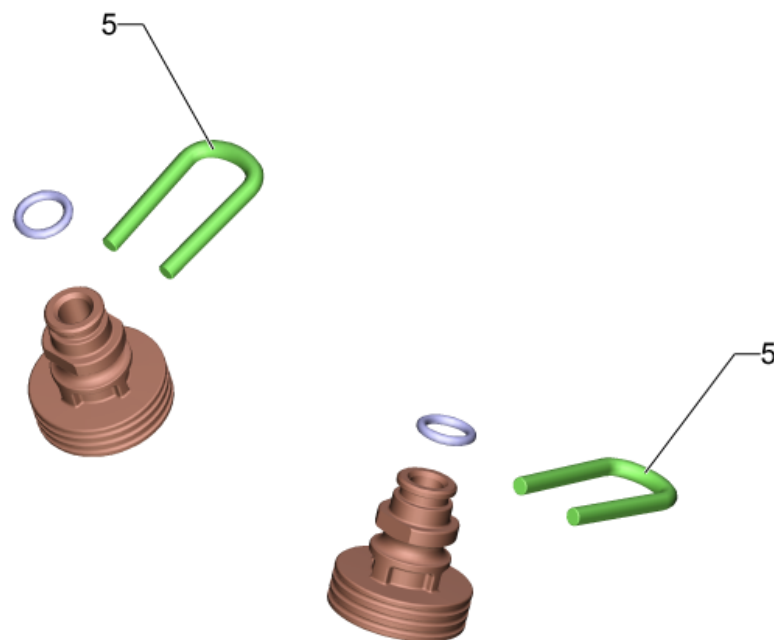





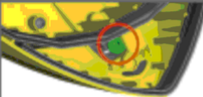




46 T-Racer T 300




POS	Article no.	Description	Quantity	Unit
0	2.640-212.0	T 300 T-Racer surface cleaner	1	PC
7	2.640-729.0	O-Ring seal set	2	PC
23	2.643-338.0	Spare parts nozzles T-Racer	1	PC
16	2.883-973.0	Spare part set rotor	1	PC
5	4.760-495.0	Jet pipe	1	PC
8	4.760-688.0	Jet pipe PS	1	PC
6	5.310-160.0	Nut Kaercher	1	PC
3	5.332-464.0	Pressure spring	1	PC
12	5.394-661.0	Protection part	1	PC
14	5.394-872.0	Grate T 300 Plus	1	PC
9	5.471-105.0	Coupling element jet pipe extension	1	PC
2	6.303-557.0	Screw 3x12 Kombitorx T8	1	PC
10	6.321-160.0	Handhold foamed material	1	PC
4	6.363-615.0	O-Ring seal 11 x 1,5 -NBR70	1	PC
11	6.369-738.0	Strip brush	1	PC
13	7.343-206.0	Lock washer 12-CuSn8 DIN 6799	1	PC
1	7.777-999.0	Stockpiling discontinued	1	PC
15	7.777-999.0	Stockpiling discontinued	1	PC

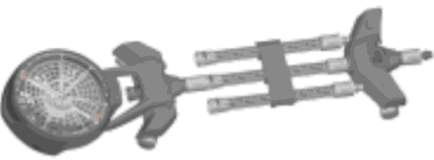


7 O-Ring seal set (2.640-729.0)

POS	Article no.	Description	Quantity	Unit
10	4.101-395.0	Drain plug with O-Ring seal	1	PC



T 50, T 70, T 80, T 100 T 150, T 200, T 250, T 300, T 400, T 450, T 550	K 2 - K 5		
	K 6 - K 7		
T 400, T 450 T 550			
T 200, T 250	K 6 - K 7		
T 350 Gas			

	K 3 - K 5	
	K 6 - K 7	

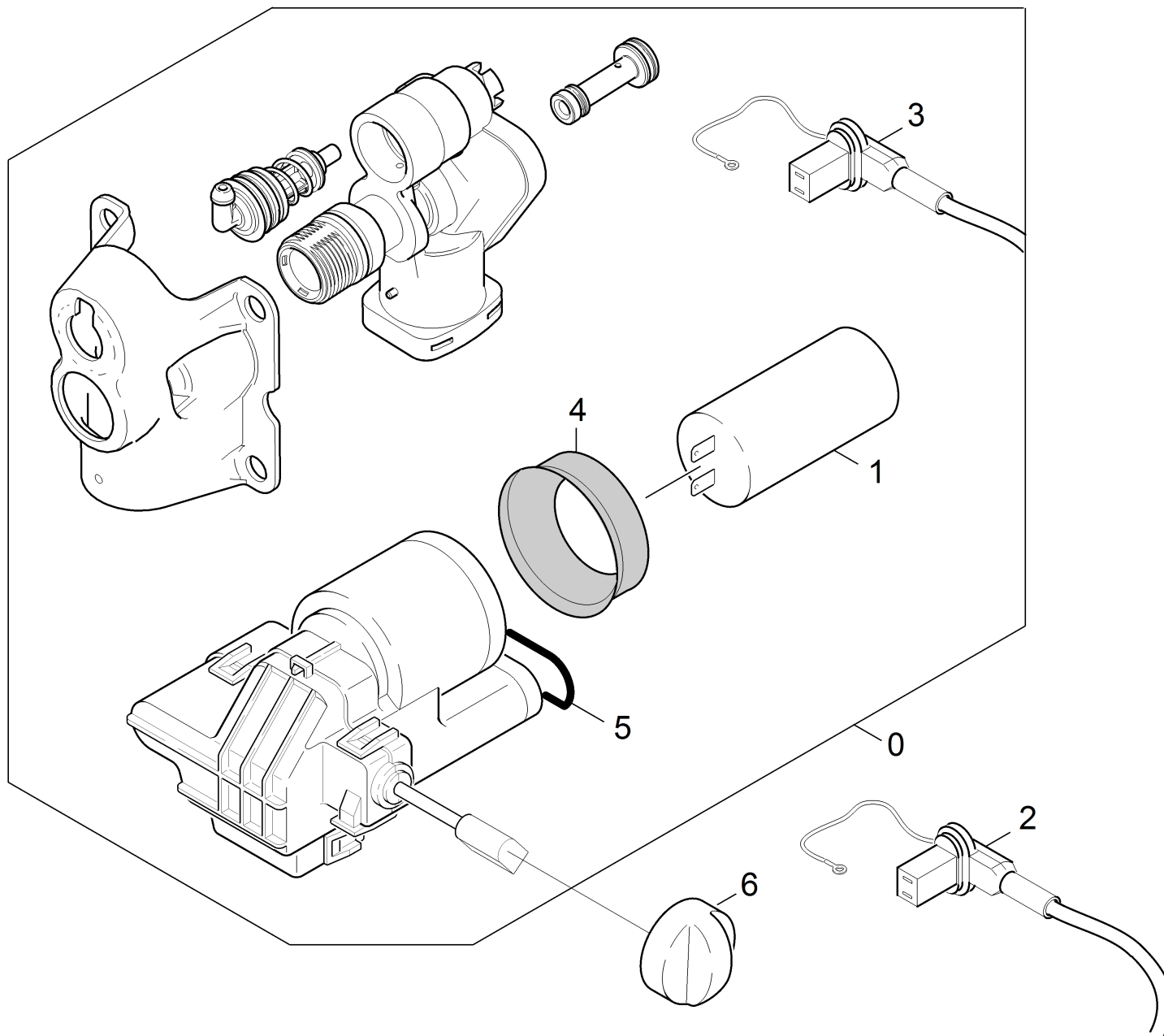
	K 2	
	K 3 - K 5	

23 Spare parts nozzles T-Racer (2.643-338.0)

POS	Article no.	Description	Quantity	Unit	Remark	Foot note text
3		Nozzle complete 15027	1	PC		BLACK
		Item text1: 027				
4	4.764-190.0	Nozzle kpl. 75047	1	PC		GREEN
		Item text1: 047				
5	5.037-151.0	Clamp	2	PC		
1	7.777-999.0	Stockpiling discontinued	1	PC	<13 MPa (<130 bar)	GREY
		Item text1: 015				
2	7.777-999.0	Stockpiling discontinued	1	PC	13 MPa (130 bar) - 16 MPa (160 bar)	YELLOW
		Item text1: 020				

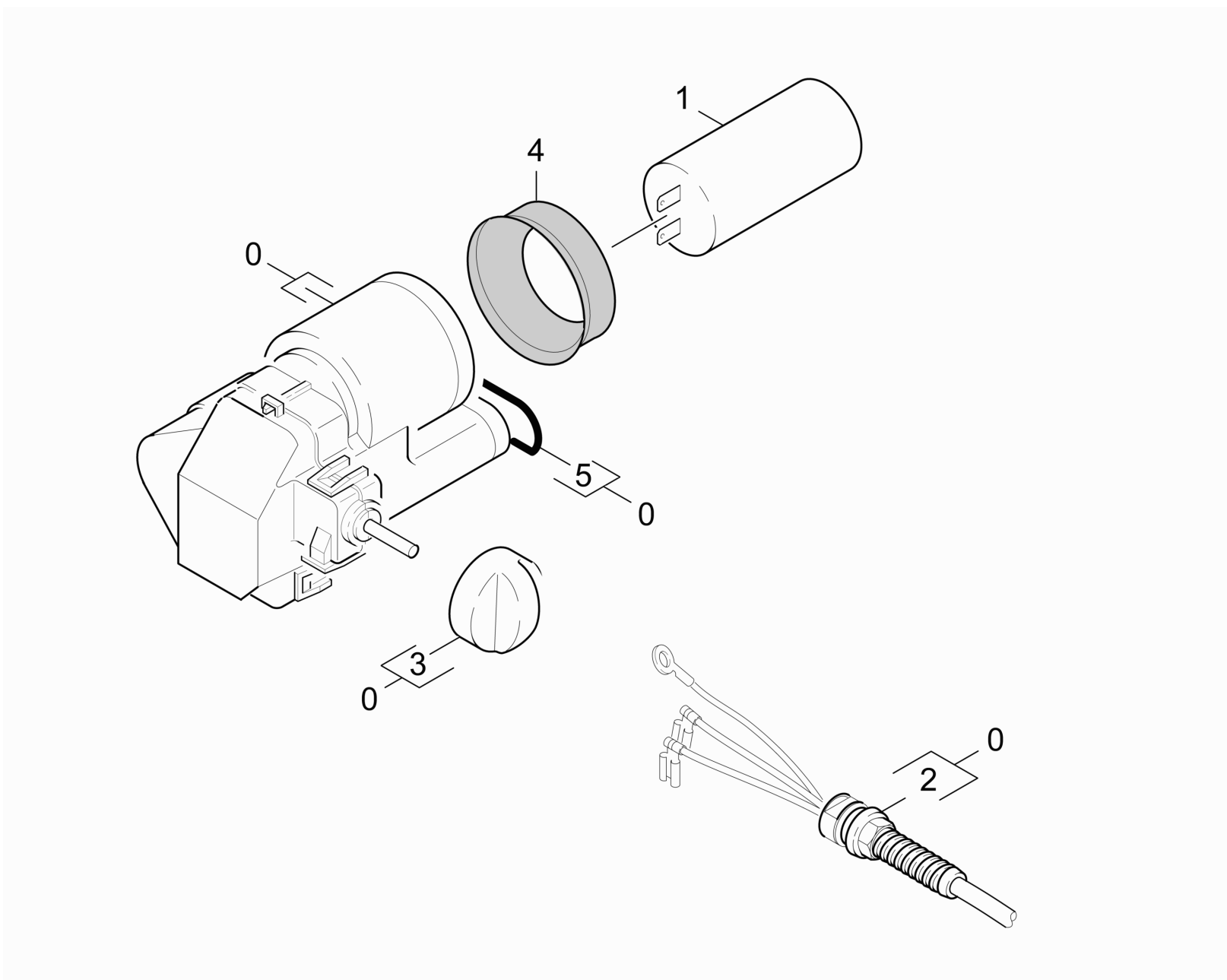
50 Electric box

POS	Description	Quantity	Unit
51	Electric box	1	PC
52	Electric box	1	PC



51 Electric box

POS	Article no.	Description	Quantity	Unit	Remark
0	9.001-943.0	kit for replacement e box osmap	1	PC	
6	9.036-804.0	Handhold	1	PC	
4	9.080-419.0	Seal	1	PC	
5	9.080-494.0	OR 20x2 EPDM70ShA PTFE	1	PC	
2	9.084-108.0	Cable with plug	1	PC	(EUR)
2	9.084-122.0	Cable with plug	1	PC	(CH)
2	9.084-126.0	Cable with plug	1	PC	(GB)
2	9.084-127.0	Cable with plug	1	PC	(AUS/NZ)
3	9.084-139.0	Cable with plug *EU	1	PC	
1	9.085-035.0	Capacitor 16 μ F	1	PC	16 MF



52 Electric box

POS	Article no.	Description	Quantity	Unit	Remark
2		Cable with plug	1	PC	(AUS/NZ)
0	9.001-298.0	Electric box complete	1	PC	(CH)
0	9.001-407.0	Electric box complete	1	PC	(EUR)
0	9.001-685.0	Electric box complete	1	PC	(CN)
0	9.011-972.0	Electric box complete	1	PC	(GB)
0	9.011-973.0	ELECTRICAL BOX K299M	1	PC	(AUS/NZ)
3	9.036-804.0	Handhold	1	PC	
	Item text1: 9.011-972.0/-973.0				
4	9.080-419.0	Seal	1	PC	
5	9.080-494.0	OR 20x2 EPDM70ShA PTFE	1	PC	
2	9.084-139.0	Cable with plug *EU	1	PC	(EUR)
2	9.084-144.0	Power cord H05VV-F 3G1*GB	1	PC	(GB)
2	9.084-231.0	Cable with plug	1	PC	(CN)
2	9.084-419.0	Cable 3G1 CH IP55	1	PC	(CH)
1	9.085-035.0	Capacitor 16µF	1	PC	