

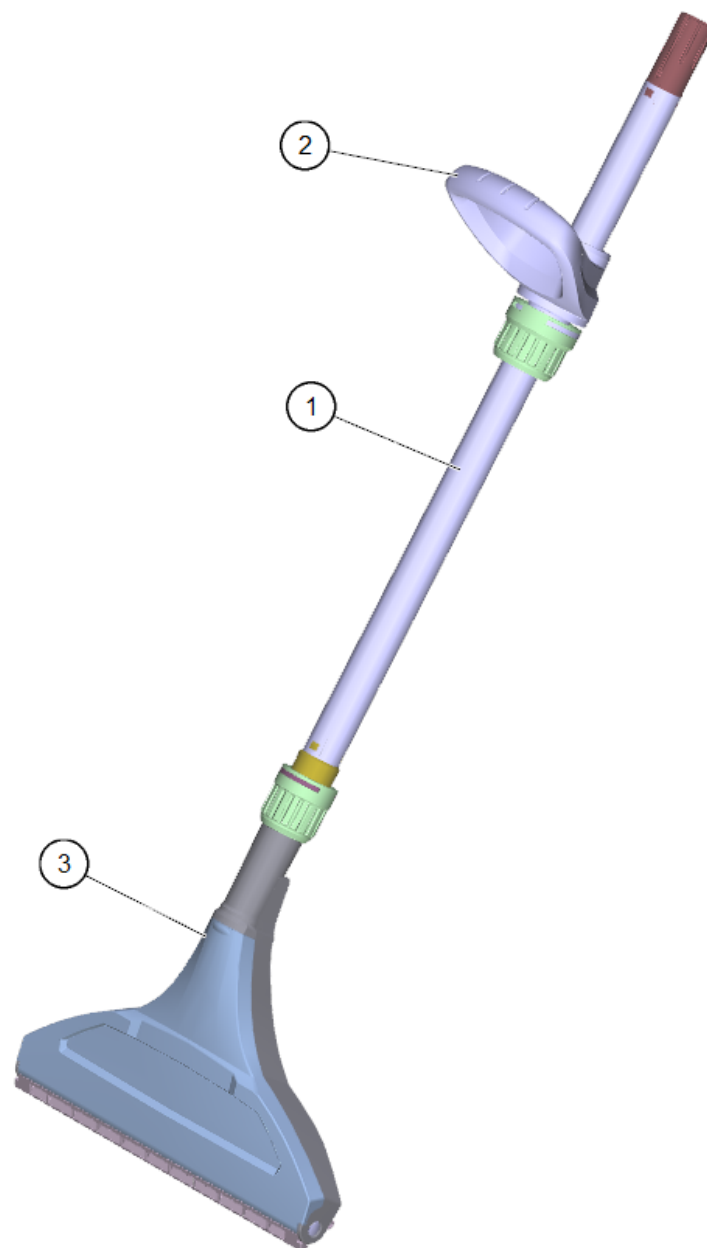
## **Spare parts list**

(4.130-011.0) Set carpet nozzle complete 350mm

## Table of contents

---

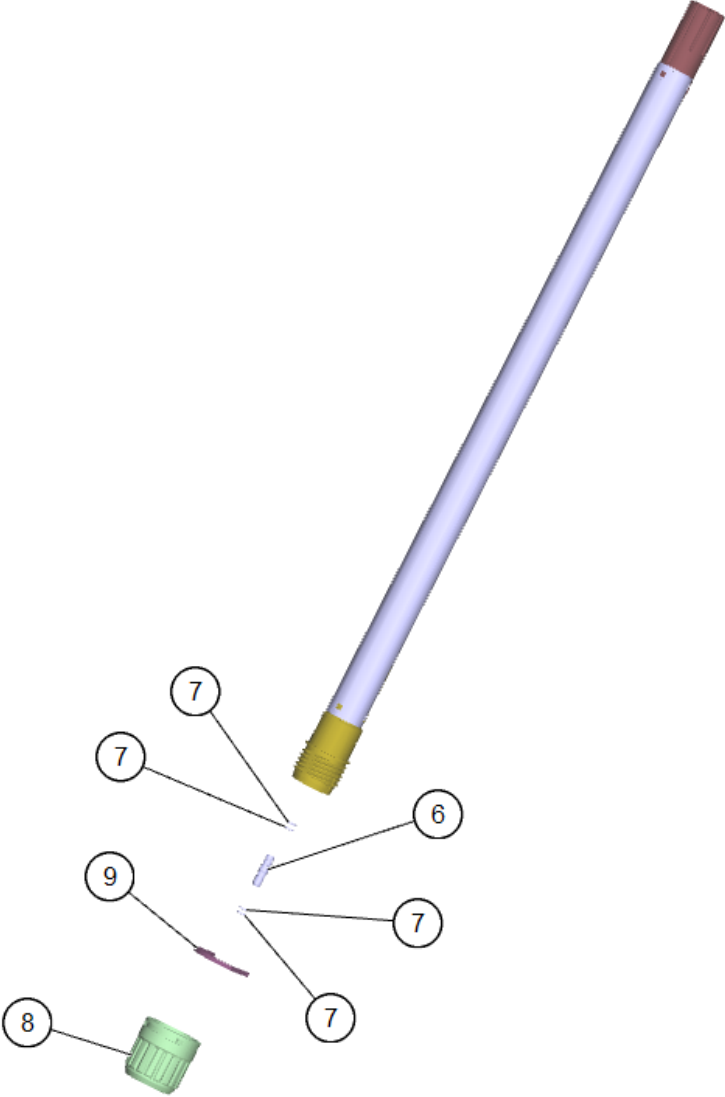
1 Set carpet nozzle complete 350mm (4.130-011.0)	3
1 Suction tube complete packaged (4.025-004.0)	5
2 Handhold pipe complete verpackt (4.321-001.0)	7
3 Carpet nozzle flexible 350mm verpackt (4.130-009.0)	9



1 Set carpet nozzle complete 350mm (4.130-011.0)

---

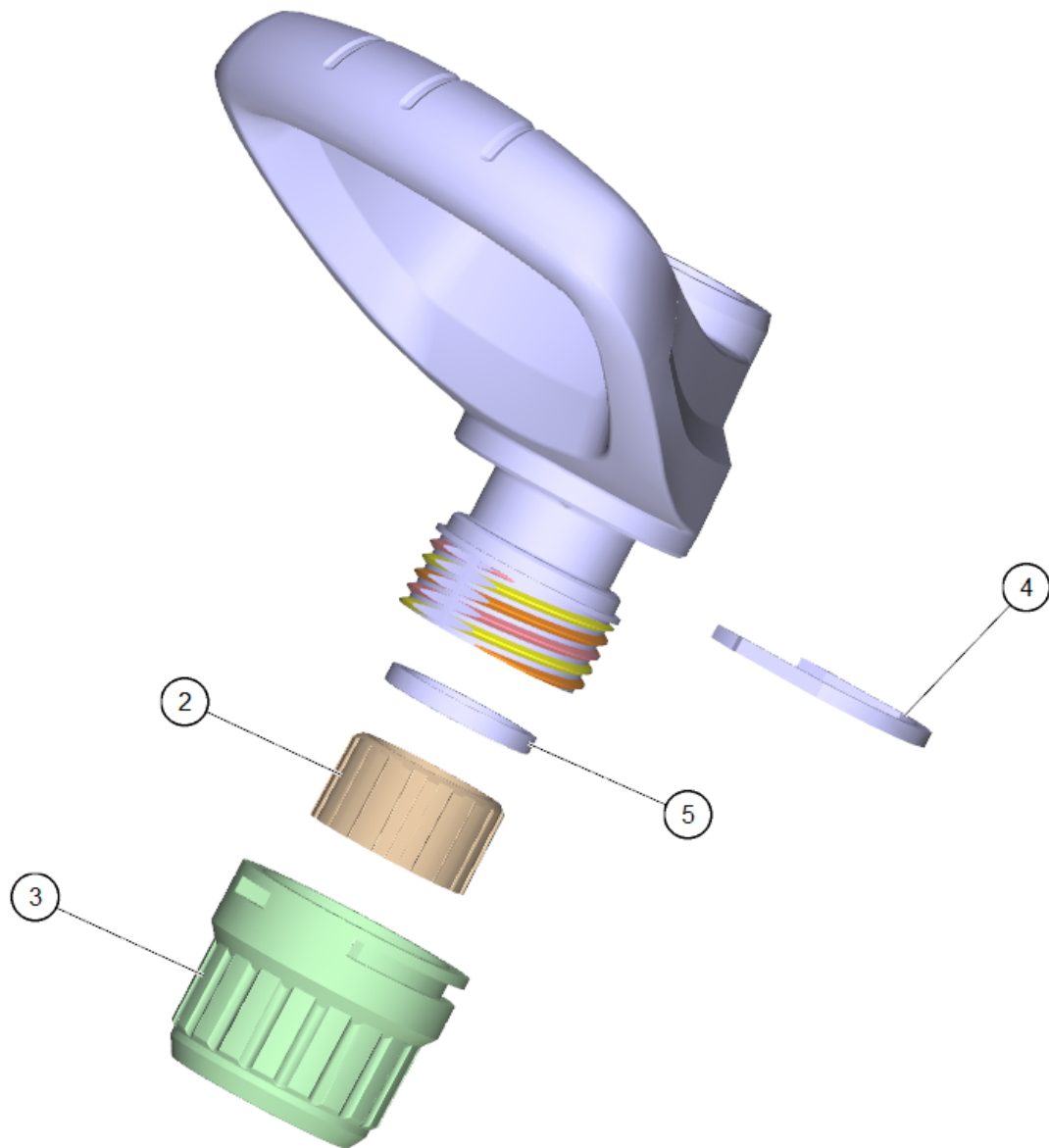
<b>POS</b>	<b>Article no.</b>	<b>Description</b>	<b>Quantity</b>	<b>Unit</b>
3	4.130-009.0	Carpet nozzle flexible 350mm verpackt	1.000	ST
2	4.321-001.0	Handhold pipe complete verpackt	1.000	ST
1	4.025-004.0	Suction tube complete packaged	1.000	ST



1 Suction tube complete packaged (4.025-004.0)

---

<b>POS</b>	<b>Article no.</b>	<b>Description</b>	<b>Quantity</b>	<b>Unit</b>
6	5.127-021.0	Extension	1.000	ST
7	6.363-574.0	O-Ring seal 6x1,2 - NBR 80	4.000	ST
9	5.031-029.0	Tension ring	1.000	ST
8	5.310-000.0	Union nut	1.000	ST

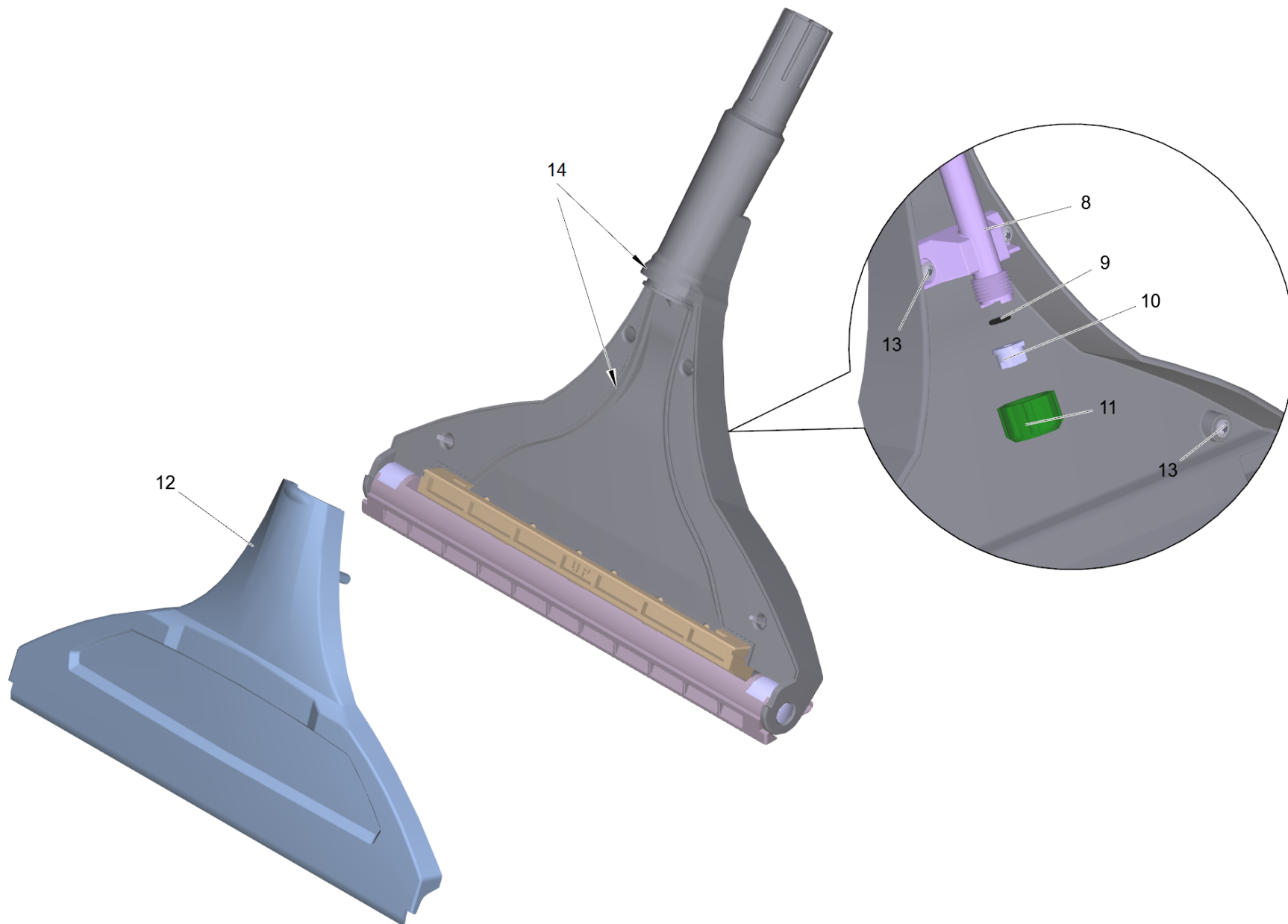


2 Handhold pipe complete verpackt (4.321-001.0)

---

<b>POS</b>	<b>Article no.</b>	<b>Description</b>	<b>Quantity</b>	<b>Unit</b>
4	5.037-019.0	Clip hand grip	1.000	ST
2	5.401-005.0	Insert rubber	1.000	ST
5	5.114-003.0	Spacer ring	1.000	ST
3	5.310-002.0	Union nut handhold	1.000	ST





### 3 Carpet nozzle flexible 350mm verpackt (4.130-009.0)

---

<b>POS</b>	<b>Article no.</b>	<b>Description</b>	<b>Quantity</b>	<b>Unit</b>
12	5.777-003.0	Carpet nozzle covering cap 350mm	1.000	ST
8	5.667-000.0	Nozzle holder	1.000	ST
10	6.415-165.0	Nozzle mouthpiece 95G06	1.000	ST
11	5.310-043.0	Nut	1.000	ST
9	6.362-113.0	O-Ring seal 6,0 x 2,0 NBR 70	1.000	ST
13	7.303-117.0	Screw 4x20 -A2-70 (In6Rd)	4.000	ST
14	4.645-595.0	Set of gaskets für Teppichduese flexibel	1.000	ST