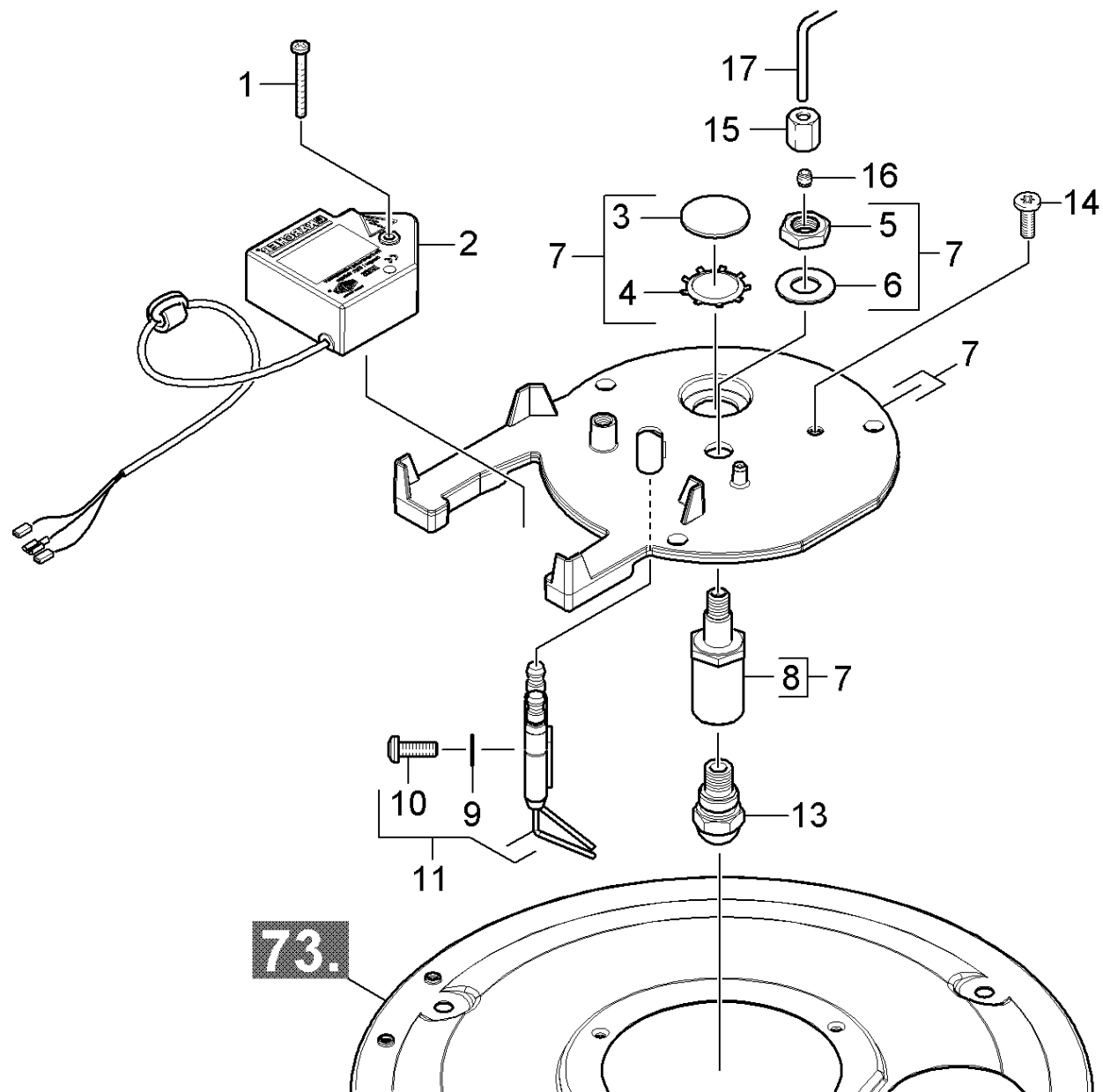


## 71 Burner cover

Overview technical documents/Professional/High pressure cleaner hotwater/Electric motor/HDS 7/16 CX (1.173-221.0)/Spare parts list HDS 7/16 C/CX/70 Flow heater/71 Burner cover



## 71 Burner cover

Overview technical documents/Professional/High pressure cleaner hotwater/Electric motor/HDS 7/16 CX (1.173-221.0)/Spare parts list HDS 7/16 C/CX/70 Flow heater/71 Burner cover

Rez.daļas/nodil.pakļ.daļas	Poz.	Materiāla Nr.	Nosaukums	Daudzums	Pārdoš. vienība
	1	7.303-240.0	Screw M5x40-ST-A2E (IN6RD)	1.000	ST
X-X	2	4.622-031.0	Ignition transformer only for replacemen	1.000	ST
Pozīcijas teksts: 1.173-213.0					
X-X	2	4.622-025.0	Ignition transformer only for replacemen	1.000	ST
Pozīcijas teksts: 1.173-211.0 /-221.0					
X-X	3	6.278-018.0	Stikls	1.000	ST
X	4	6.343-165.0	Serrated ring	1.000	ST
	5	7.311-101.0	Hexagon nut	1.000	ST
	6	7.312-302.0	Spring washer	1.000	ST
	7	4.654-288.0	Cover pressure boiler only for replaceme	1.000	ST
X-X	8	5.667-055.0	Sprauslas turētājs	1.000	ST
	9	7.312-304.0	Spring washer B 5-FST-A2E DIN 137	1.000	ST
	10	7.306-217.0	Screw M5x14 -8.8-R2R (In6Rd)	1.000	ST
X-X	11	2.638-974.0	Conversion kit ignition electrode	1.000	ST
X-X	13	6.415-775.0	Smidzinātājsprausla	1.000	ST
X-X	14	7.303-038.0	Screw M6x20 -St-R3R (In6Rd)	3.000	ST
X-X	15	6.389-262.0	Uzmavuzgrieznis A 4-LL	1.000	ST
X-X	16	6.389-263.0	Griezies gredzens	1.000	ST
X-X	17	5.423-400.0	Conduit fuel	1.000	ST