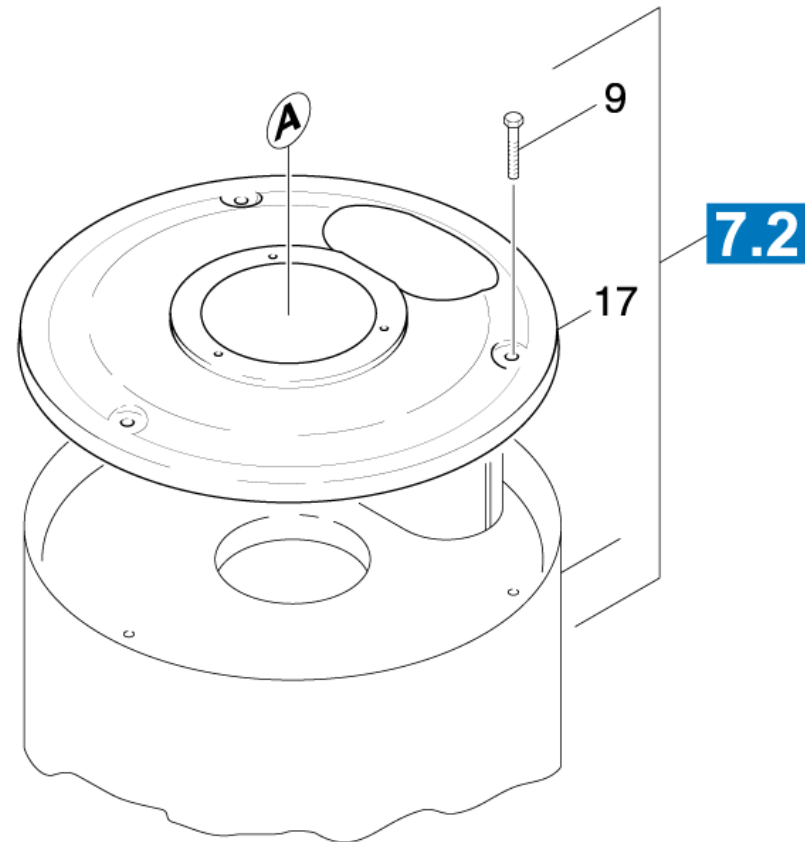
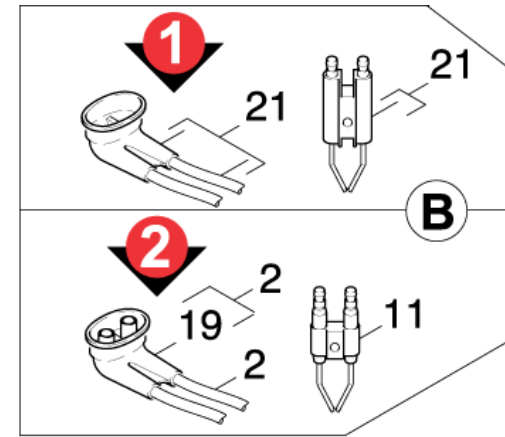
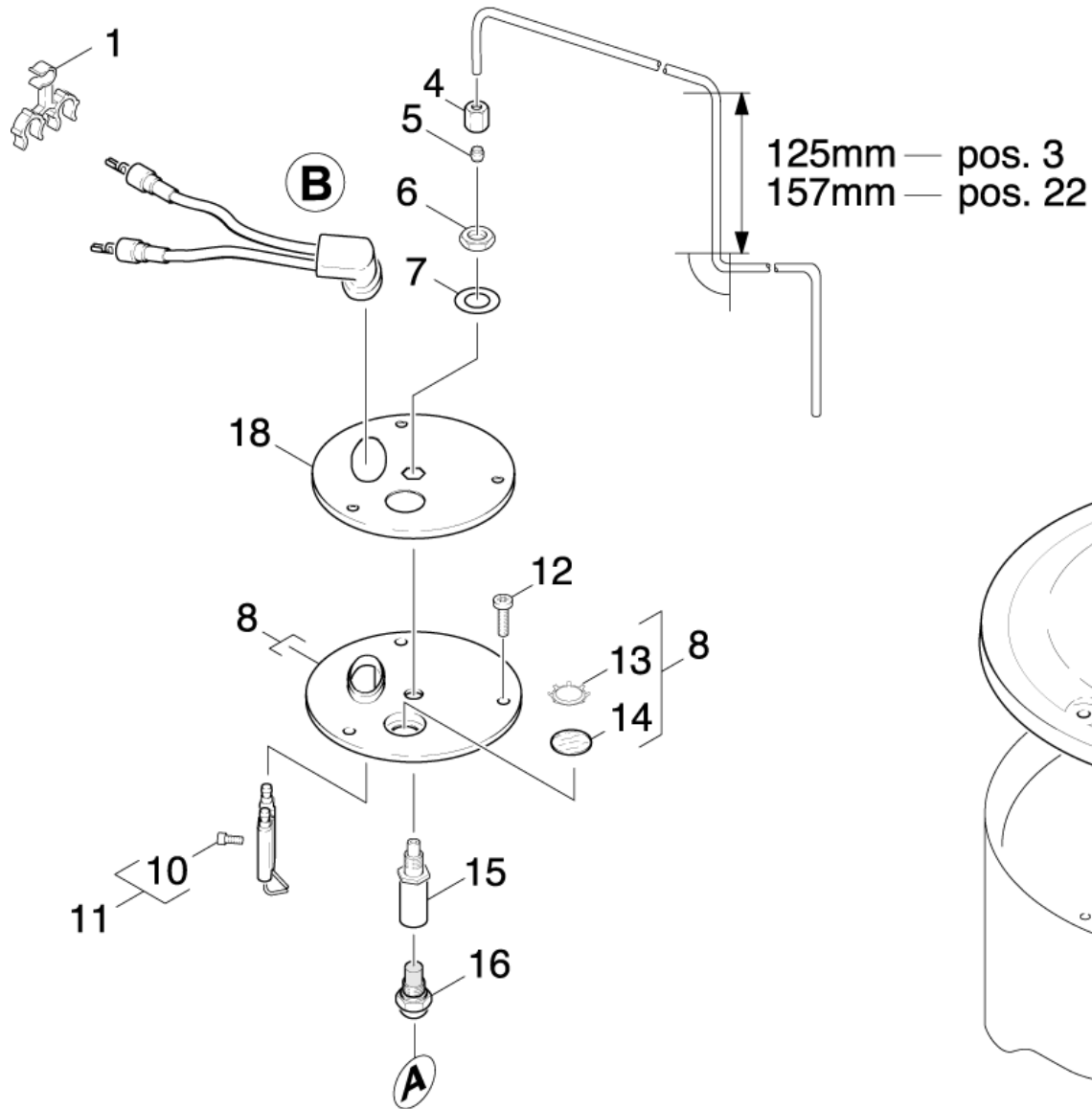


71 Burner cover

Professional \ High pressure cleaner hotwater \ Electric motor \ HDS 695 S *EU \ Spare parts list HDS 695 S *EUR \ Flow heater \ Burner cover



71 Burner cover

Professional \ High pressure cleaner hotwater \ Electric motor \ HDS 695 S *EU \ Spare parts list HDS 695 S *EUR \ Flow heater \ Burner cover

KÄRCHER

POS	Article no.	Description	Quantity	Unit
1	6.647-527.0	Holder	1	PC
2	4.821-071.0	IGNITION LEAD (HDS 557CI)	1	PC
3	5.423-186.0	Conduit fuel	1	PC
4	6.389-262.0	Union nut A 4-LL	1	PC
5	6.389-263.0	Cutting ring d.4	1	PC
6	7.311-101.0	Hexagon nut M10x1 -04-A2E ISO 8675	1	PC
7	7.312-302.0	Spring washer B10-FST-A2E DIN 137	1	PC
8	4.654-218.0	Cover plate pressure boiler	1	PC
9	6.303-258.0	Self-tapping screw	3	PC
10	7.306-217.0	Screw M5x14 -8.8-R2R (In6Rd)	1	PC
11	2.638-974.0	Conversion kit ignition electrode	1	PC
12	7.303-038.0	Screw M5x12 -St-P2R (In6Rd)	1	PC
13	6.343-165.0	Serrated ring	1	PC
14	6.278-018.0	Glass pane	1	PC
15	5.667-055.0	Nozzle holder	1	PC
16	6.415-682.0	Nozzle 1,35GPH	1	PC
17	5.654-066.0	Cover plate pressure boiler external	1	PC
18	5.654-059.0	Cover pressure boiler	1	PC
19	5.394-470.0	Protecting cap	1	PC
21	2.638-976.0	Conversion kit ignition cable	1	PC
22	5.423-187.0	Conduit fuel	1	PC
Item text1: / 1.025-308.0 / -309.0				