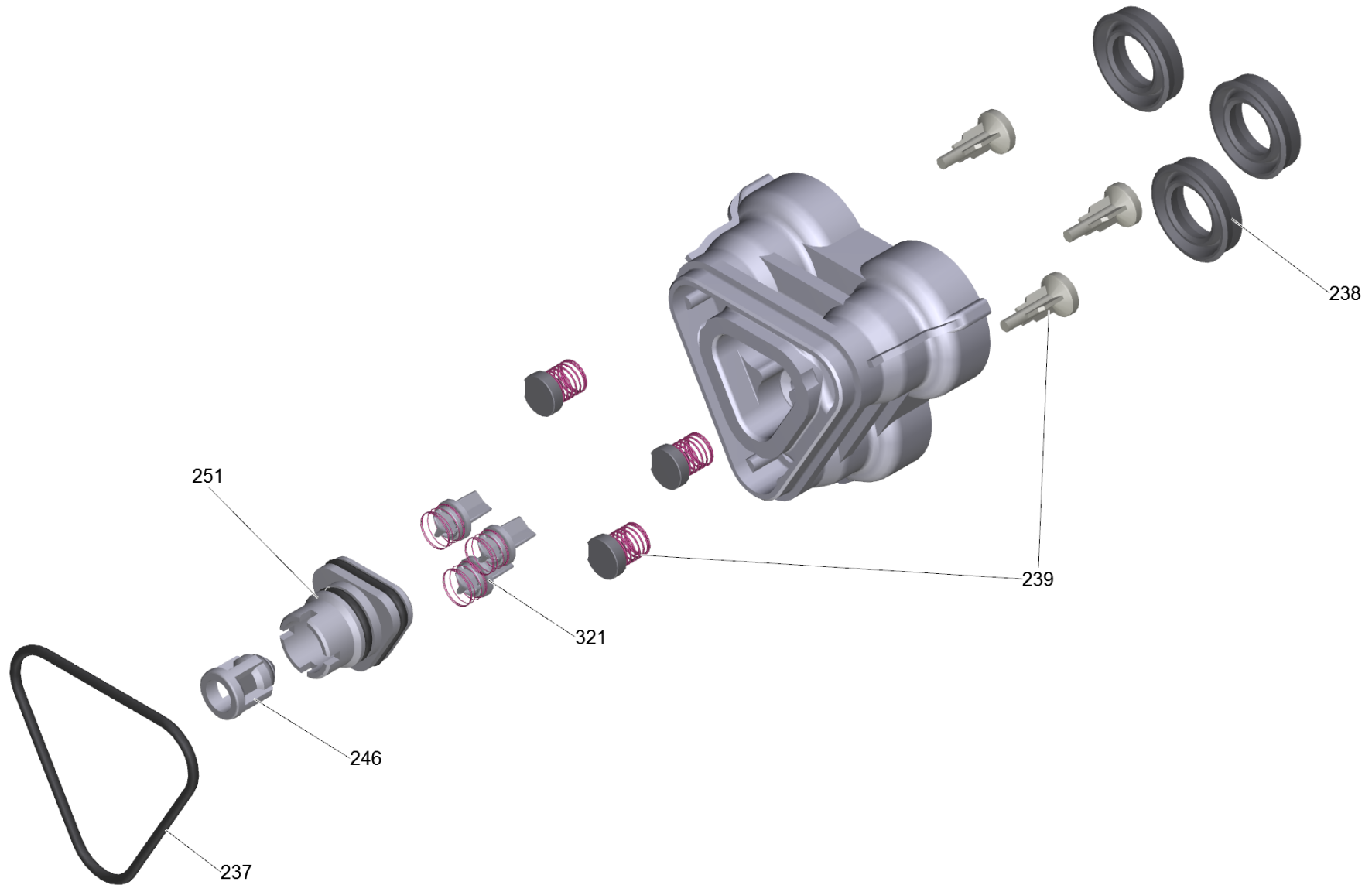


10 Head end WCM c/guarnizioni Tuico (9.002-552.0)

Home and Garden \ High pressure cleaner cold water \ Electric motor \ K 3 \ K 3.08 MD *JP \ Spare parts list K 3.80/K3.08MD *EU \ Pump set \ Housing \ Spare parts set cylinder head WCP \ Head end WCM c/guarnizioni Tuico



10 Head end WCM c/guarnizioni Tuico (9.002-552.0)

Home and Garden \ High pressure cleaner cold water \ Electric motor \ K 3 \ K 3.08 MD *JP \ Spare parts list K 3.80/K3.08MD *EU \ Pump set \ Housing \ Spare parts set cylinder head WCP \ Head end WCM c/guarnizioni Tuico

KÄRCHER

POS	Article no.	Description	Quantity	Unit
237	9.081-422.0	Form seal	1.000	ST
238	6.362-875.0	Grooved ring	3.000	ST
239	9.001-110.0	Moulded part complete	1.000	ST
246	9.001-107.0	Cage complete	1.000	ST
251	9.001-106.0	Joining piece	1.000	ST
321	9.001-149.0	Spare parts set valve	1.000	ST