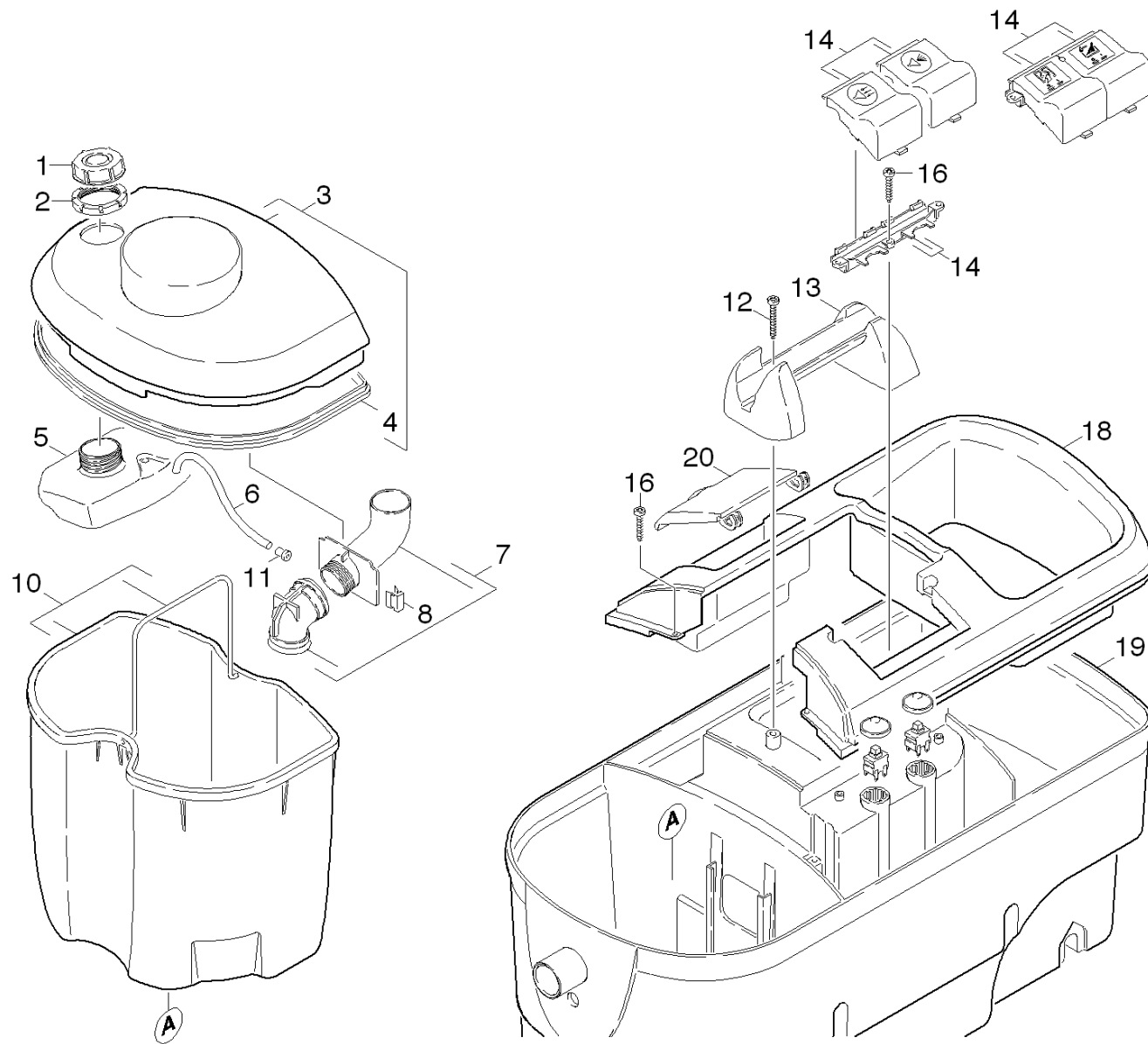


10 Tank water PUZZI 200

Overview technical documents/Professional/Spray extraction/PUZZI 200 *CN (1.193-107.0)/Spare parts list PUZZI 200/10 Tank water PUZZI 200



10 Tank water PUZZI 200

Overview technical documents/Professional/Spray extraction/PUZZI 200 *CN (1.193-107.0)/Spare parts list PUZZI 200/10 Tank water PUZZI 200

Rez.daļas/nodil.pakļ.daļas	Poz.	Materiāla Nr.	Nosaukums	Daudzums	Pārdoš. vienība	no sēr. Nr..	līdz sēr. Nr.
X-X	12	7.303-086.0	Skrūve 5x30 -10.9-R2R (K-In6Rd)	2.000	ST	0000000000	0000000000
X	16	7.303-084.0	Skrūve 4x25 -10.9-R2R (K-In6Rd)	5.000	ST	0000000000	0000000000
	1	6.394-106.0	Screw cap	1.000	ST	0000000000	0000000000
X-X	8	6.373-081.0	U-fastening	2.000	ST	0000000000	0000000000
	6	5.442-922.0	Hose	1.000	ST	0000000000	0000000000
X-X	4	5.363-390.0	Vāka blīvējums	1.000	ST	0000000000	0000000000
X-X	13	5.321-517.0	Handhold	1.000	ST	0000000000	0000000000
	2	5.310-119.0	Nut	1.000	ST	0000000000	0000000000
	11	5.131-024.0	Screen	1.000	ST	0000000000	0000000000
	19	5.071-363.0	Housing Puzzi 200 RAL 7012	1.000	ST	0000000000	0000000000
	5	5.071-106.0	Tank antifoaming agent	1.000	ST	0000000000	0000000000
	20	5.063-758.0	Cover RM	1.000	ST	0000000000	0000000000
	18	5.013-084.0	Funnel RM	1.000	ST	0000000000	0000000000
	14	4.324-021.0	Pushbutton complete grey	1.000	ST	0000000000	0000000000
	10	4.070-298.0	Tank complete	1.000	ST	0000000000	0000000000
	3	4.063-631.0	Cover complete	1.000	ST	00000	0000000000
	7	4.031-069.0	Elbow complete	1.000	ST	0000000000	0000000000