

Spare parts list

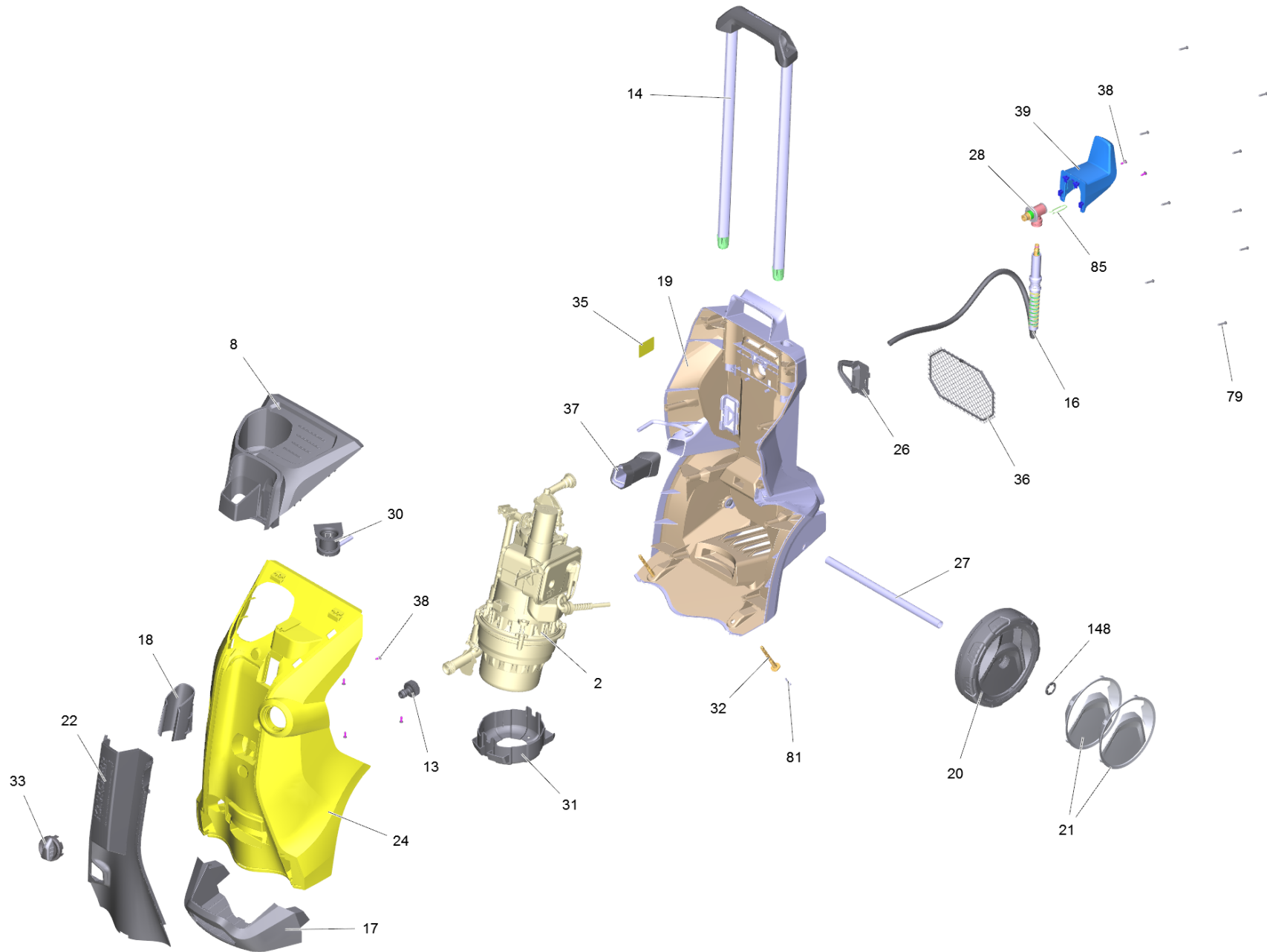
(1.317-000.0) K 7 Full Control *EU

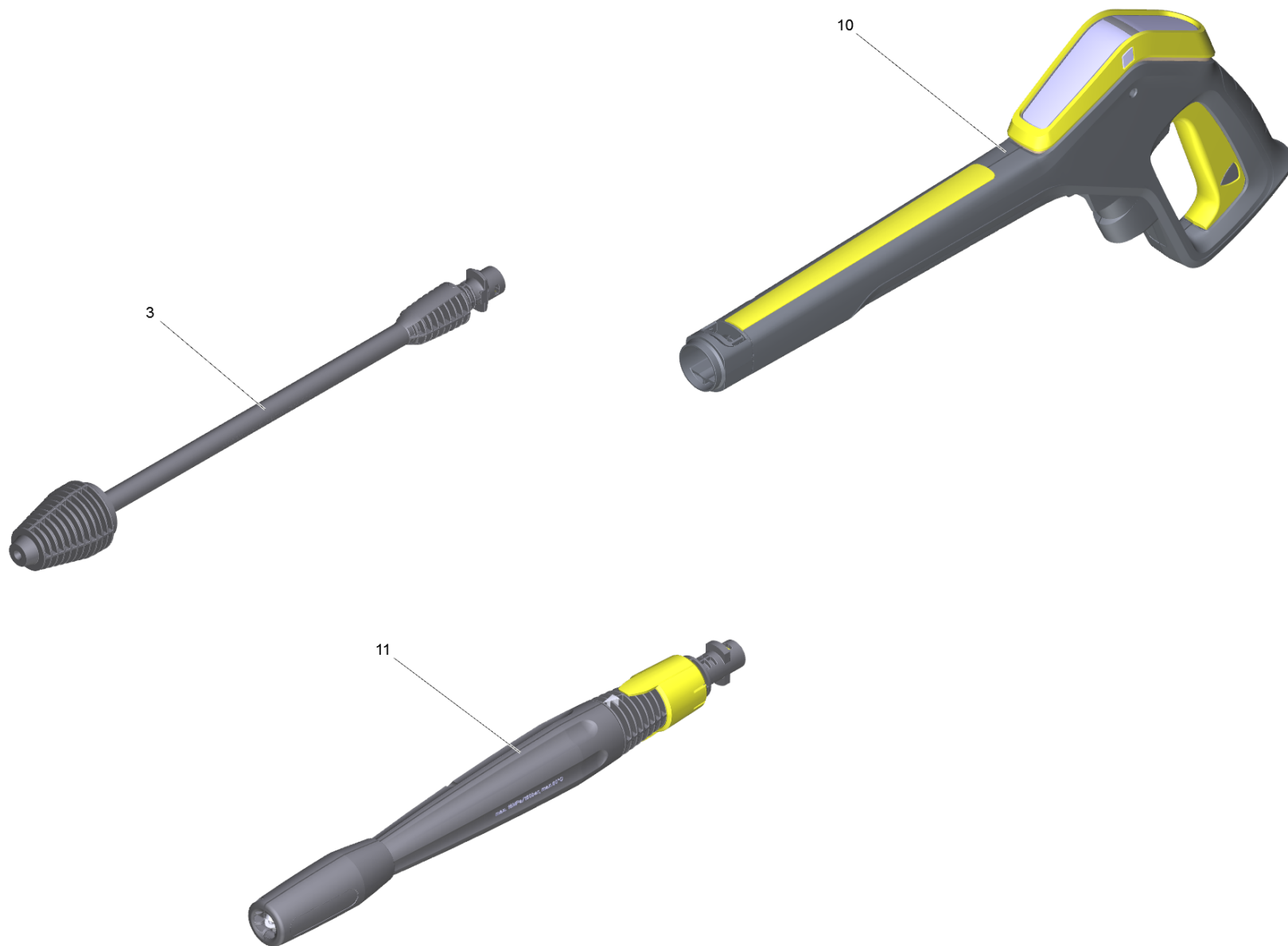
Table of contents

K 7 Full Control *EU (1.317-000.0)	3
1000 Spare parts list K7 Full Control *EU (5.973-951.0)	4
2 Pump set complete K7 2016	7
50 Motor complete replacement K7 (4.624-311.0)	9
51 Pump head complete K7 *EU	11
101 Piston guidance complete	13
104 Valve pin complete (4.584-022.0)	15
9000 Spare parts set excess-current (2.885-186.0)	17
103 Control piston complete replacement (2.885-408.0)	19
9001 Nozzle insert only for replacement (4.769-034.0)	21
53 Electric box complete (4.800-005.3)	23
3 Dirt blaster FC 033 St (4.764-070.0)	25
10 Spare part set G 145 Q Full Control (2.885-478.0)	27
1 G 145 FC	28
11 VPS K7 FC 032 MS (4.760-031.0)	29
14 Handhold complete	31
16 High pressure hose 16MPa/12 60°C QC B (6.391-785.0)	33
28 Angle cleat high pressure hose only for replacement (4.775-845.3)	35

K 7 Full Control *EU (1.317-000.0)

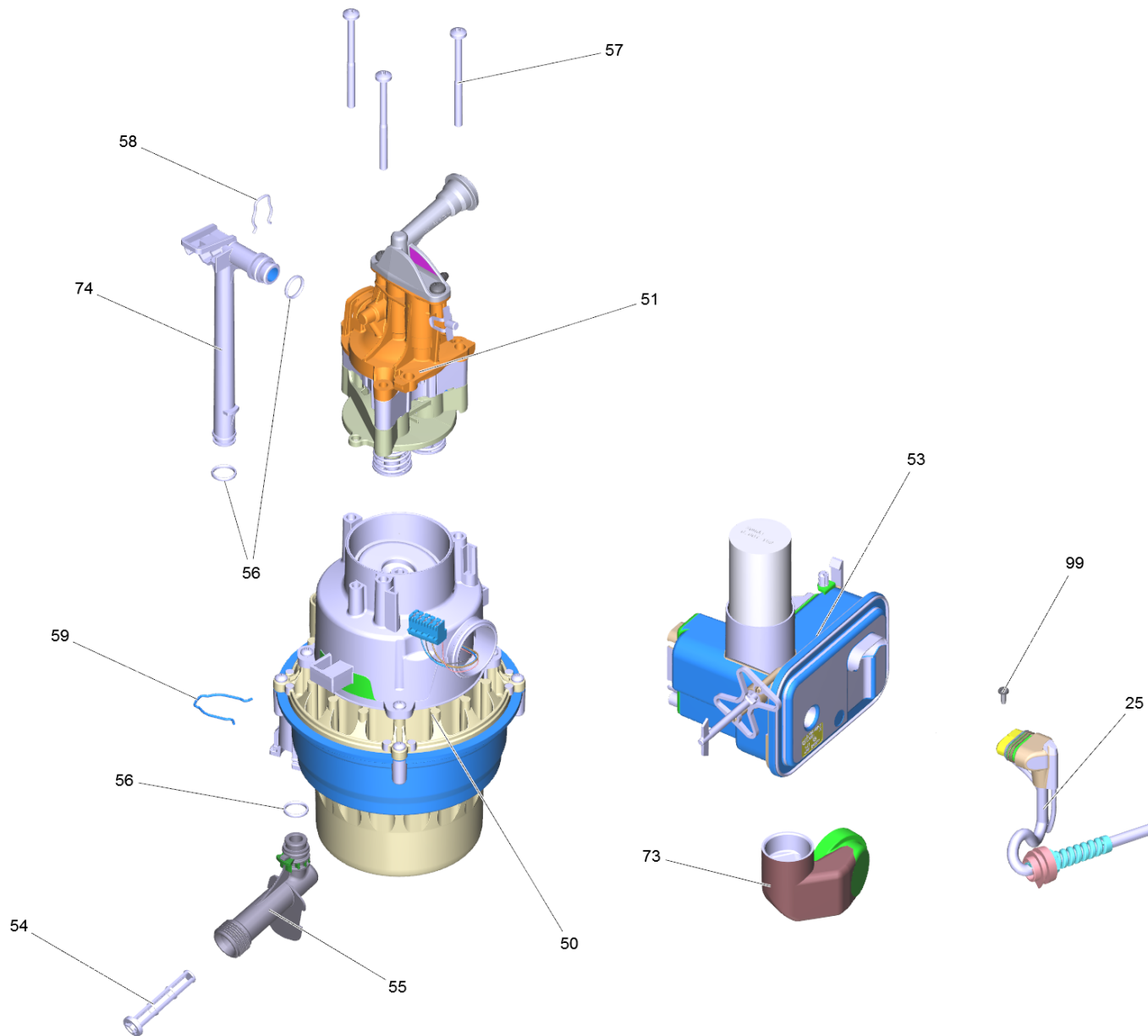
POS	Article no.	Description	Quantity	Unit
1000	5.973-951.0	Spare parts list K7 Full Control *EU	1.000	ST





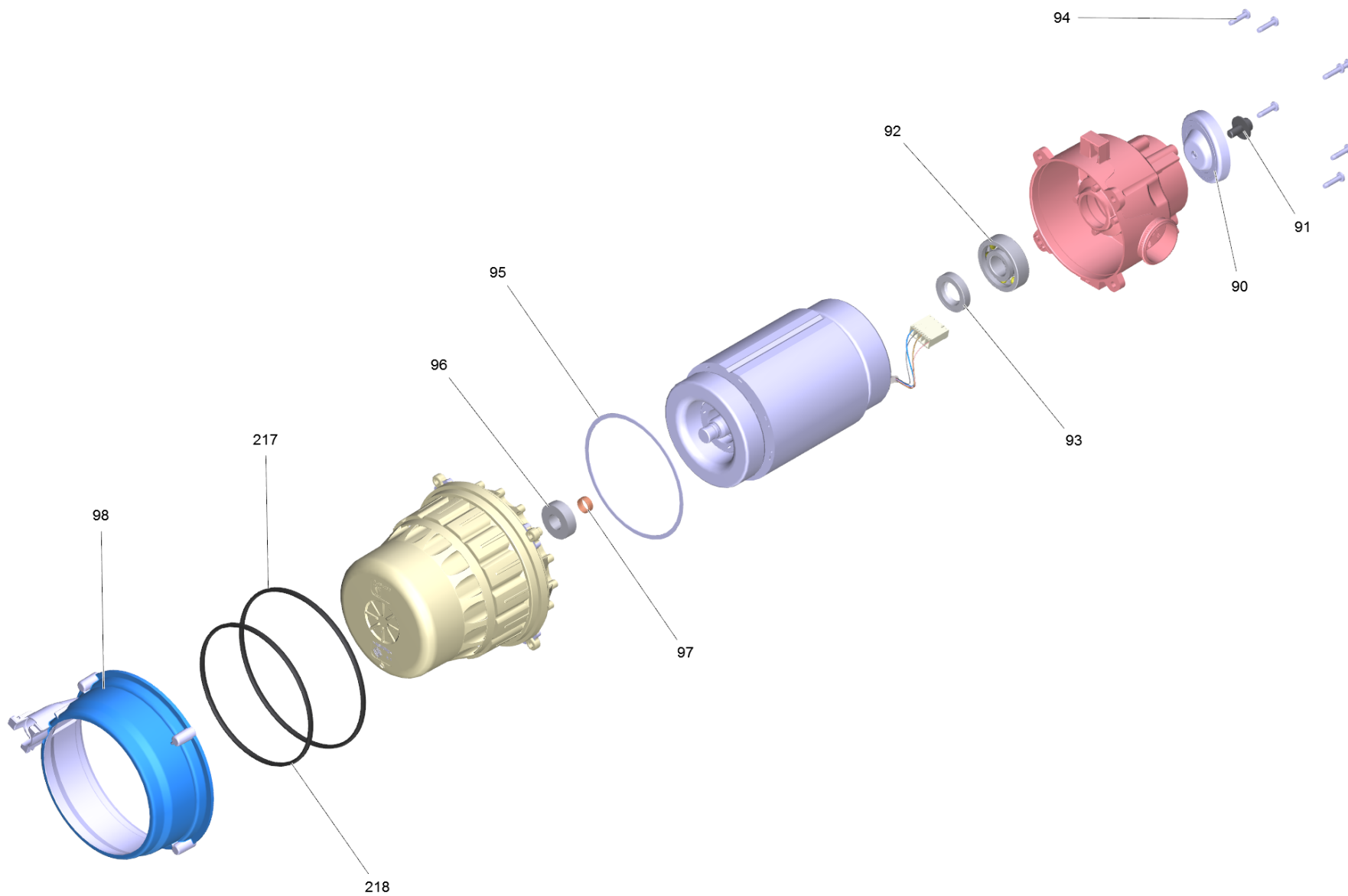
1000 Spare parts list K7 Full Control *EU (5.973-951.0)

POS	Article no.	Description	Quantity	Unit
2		Pump set complete K7 2016	1.000	ST
3	4.764-070.0	Dirt blaster FC 033 St	1.000	ST
8	5.044-342.3	Covering cap above	1.000	ST
10	2.885-478.0	Spare part set G 145 Q Full Control	1.000	ST
11	4.760-031.0	VPS K7 FC 032 MS	1.000	ST
13	6.465-031.0	Connection 3/4	1.000	ST
14		Handhold complete	1.000	ST
16	6.391-785.0	High pressure hose 16MPa/12 60°C QC B	1.000	ST
17	5.044-343.0	Stand foot	1.000	ST
18	5.044-486.0	Holder accessories	1.000	ST
19	5.044-331.3	Chassis rear	1.000	ST
20	5.515-071.0	Wheel D200	2.000	ST
21	2.885-473.0	Spare parts set screen wheel	1.000	ST
22	5.052-007.3	Screen front	1.000	ST
24	5.052-006.3	Cover K7 FC	1.000	ST
26	5.332-026.0	Hose guide external	1.000	ST
27	5.105-361.0	Axle L=310	1.000	ST
28	4.775-845.3	Angle cleat high pressure hose only for replacement	1.000	ST
30	9.013-417.0	RM retainer station compl. FC	1.000	ST
31	5.322-164.0	Holder pump set	1.000	ST
32	5.317-896.0	Bolt stand foot	2.000	ST
33	9.048-123.0	2K KNOB black	1.000	ST
35	5.387-620.0	Warning sticker-Prevent from freezing	1.000	ST
36	9.038-490.3	Grid accessories	1.000	ST
37	5.322-167.0	Hose guide	1.000	ST
38	7.303-106.0	Screw 4x12 -10.9-R2R (IN6RD)	6.000	ST
39	5.056-309.0	Hook hose	1.000	ST
79	6.303-150.0	Screw 4,2x 22	9.000	ST
81	9.086-203.0	Screw 4x22	2.000	ST
85	5.059-401.0	Clamp	1.000	ST
148	6.343-168.0	Lock washer	2.000	ST



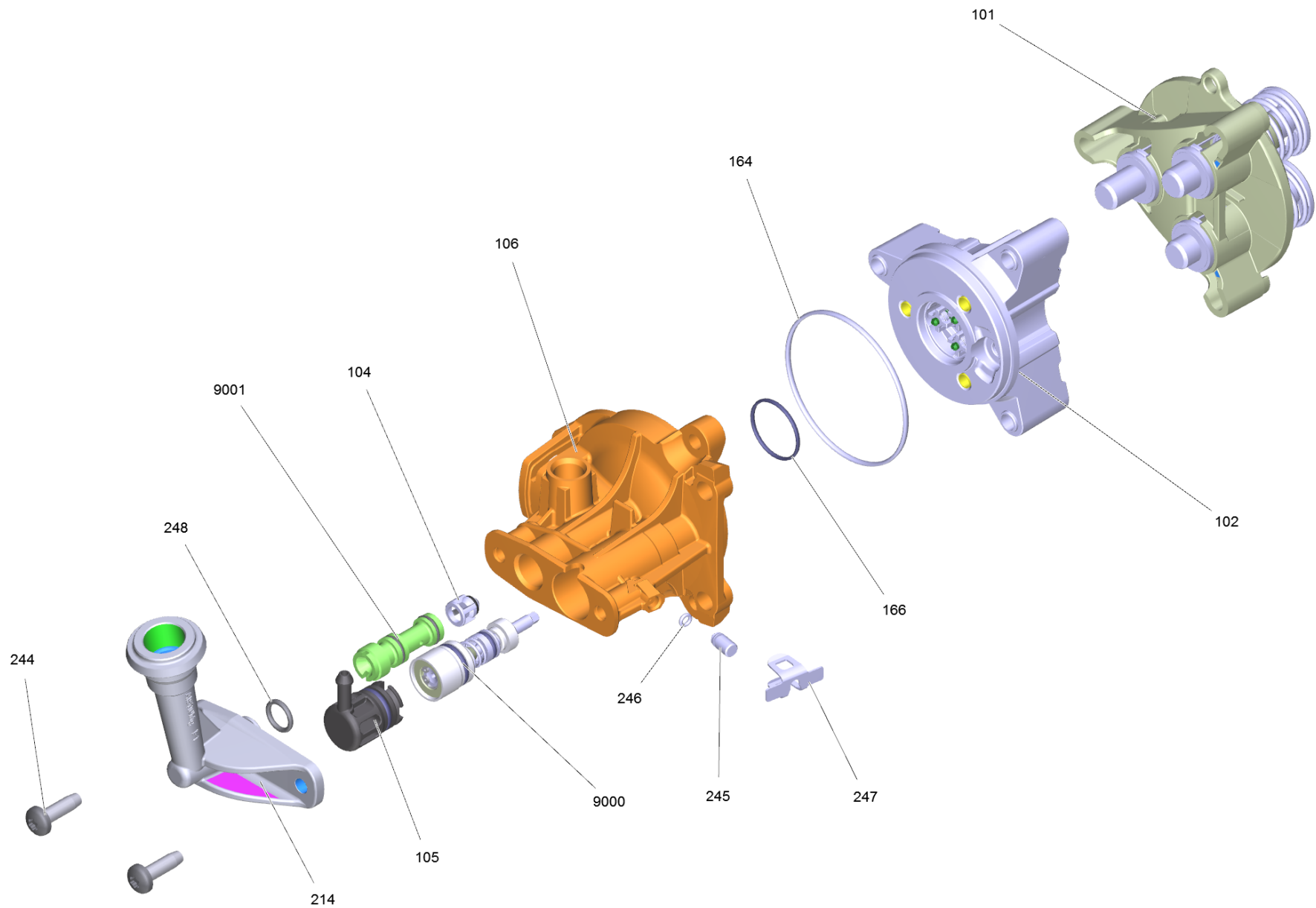
2 Pump set complete K7 2016

POS	Article no.	Description	Quantity	Unit
25	6.650-486.3	Cable with plug *EU	1.000	ST
50	4.624-311.0	Motor complete replacement K7	1.000	ST
51		Pump head complete K7 *EU	1.000	ST
53	4.800-005.3	Electric box complete	1.000	ST
54	5.731-011.0	Fine filter	1.000	ST
55	5.443-015.0	Tube intake	1.000	ST
56	6.363-610.0	O-Ring seal 13 x 3 -NBR	3.000	ST
57	6.303-042.0	Screw M6x80	3.000	ST
58	5.048-915.0	Clamp	1.000	ST
59	5.048-065.0	Clamp pipe intake	1.000	ST
73	5.363-827.0	Connection electric box A-bearing plate	1.000	ST
74	5.443-654.0	Tube Ruecklauf WCM K7 D117	1.000	ST
99	7.303-031.0	Screw M4x10 -St-P2R (In6Rd)	1.000	ST



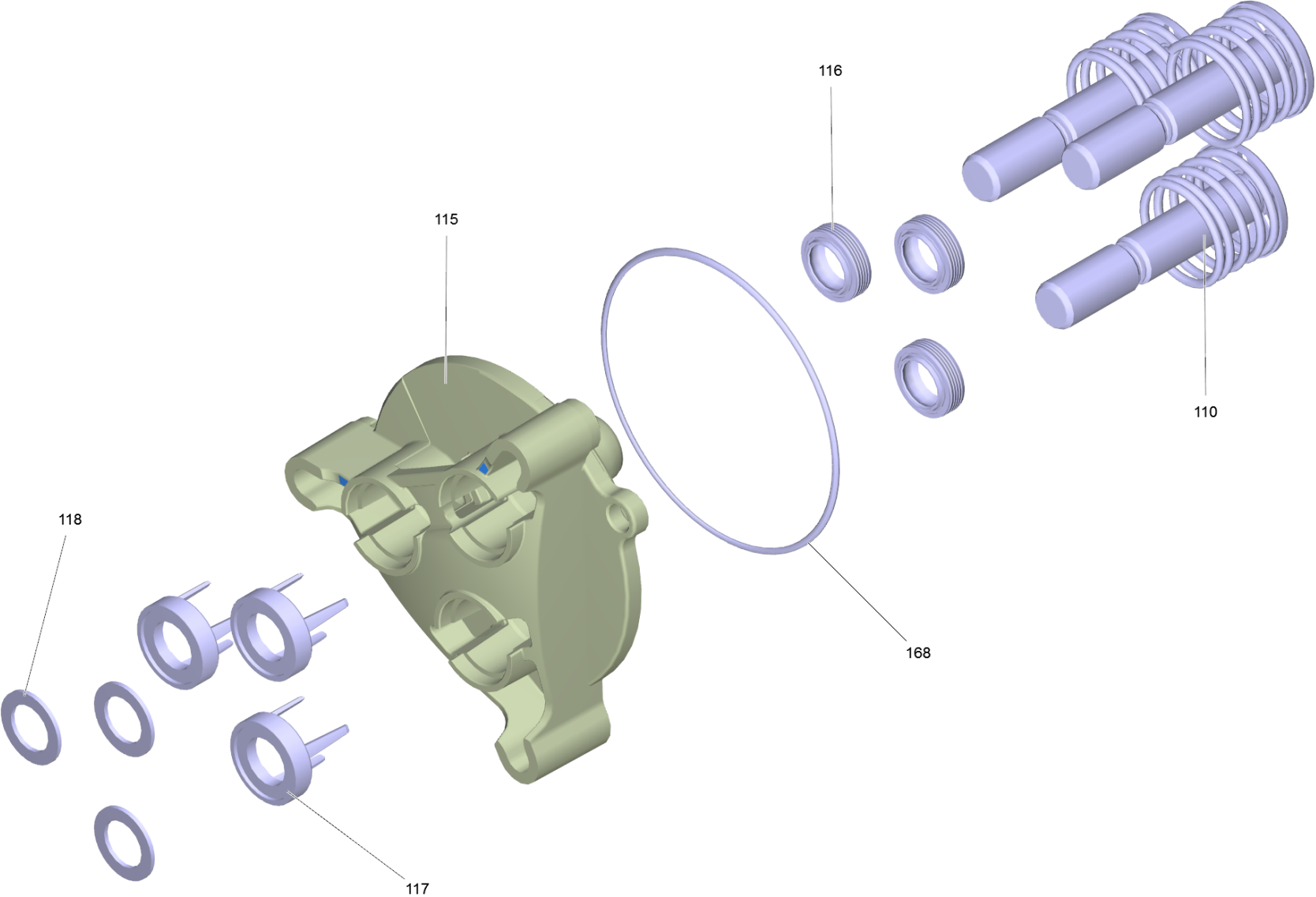
50 Motor complete replacement K7 (4.624-311.0)

POS	Article no.	Description	Quantity	Unit	Remark	Foot note text
90	4.120-001.0	Wobble plate complete 13° (D67)	1.000	ST		
91	9.086-169.0	Wobble plate screw M8x16	1.000	ST		
92	6.401-427.0	Angular contact ball bearing	1.000	ST		
93	6.367-051.0	Rotary shaft seal -20X37X8 NBR	1.000	ST		
94	6.303-320.0	Screw M 5x 20-St-R2R	8.000	ST		
95	5.363-590.0	Joint ring	1.000	ST	THICKNESS:0,8mm / DICKE:0,8mm	VERSION 1
95	5.363-453.0	Joint ring D116 x 1,8	1.000	ST	THICKNESS:1,8mm / DICKE:1,8mm	VERSION 2
96	7.401-128.0	Ball bearing 6202-2RS -Wälzl.St DIN 625	1.000	ST		
97	6.343-218.0	Tolerance ring 15x6	1.000	ST		
98	5.093-025.0	Outer covering water flow	1.000	ST		
125	6.288-050.0	Engine oil 1L	1.000	ST		
217	6.363-593.0	O-Ring seal 146x5 EPDM	1.000	ST		
218	6.363-647.0	O-Ring seal D130x5	1.000	ST		



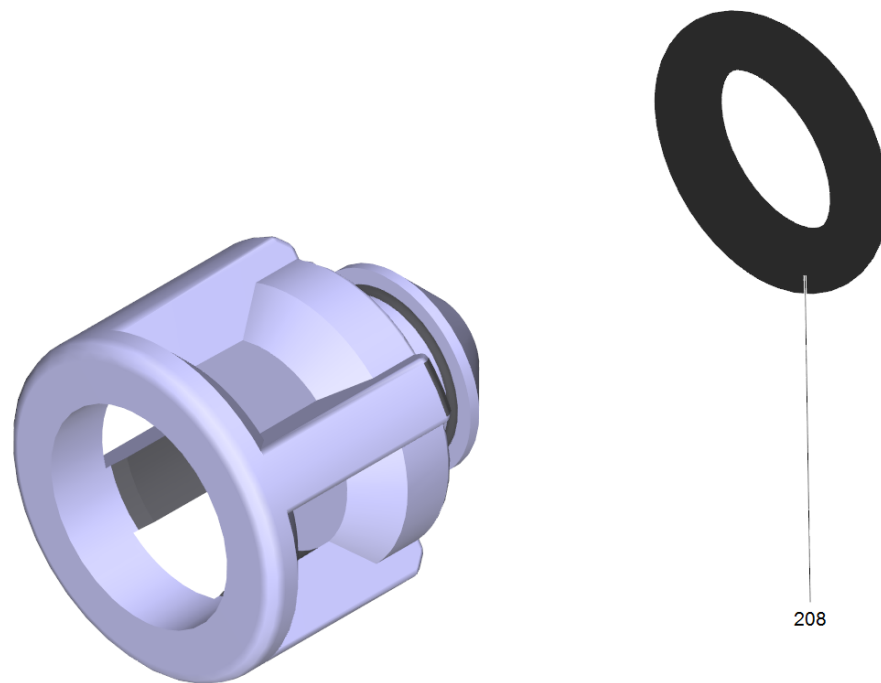
51 Pump head complete K7 *EU

POS	Article no.	Description	Quantity	Unit
101		Piston guidance complete	1.000	ST
102	9.002-525.0	Cylinder head alluminio completo (c/imballo)	1.000	ST
104	4.584-022.0	Valve pin complete	1.000	ST
105	9.002-523.0	Plug completo K7 (c/imballo)	1.000	ST
106	5.062-715.3	Housing waterproof	1.000	ST
164	6.363-616.0	O-Ring seal 60,0x2,0 -NBR70	1.000	ST
166	6.362-562.0	O-Ring seal 21,95X 1,78-NBR 90	1.000	ST
214	5.789-070.0	High-pressure outlet	1.000	ST
244	7.303-048.0	Screw M6x20 -St-R3R (In6Rd)	2.000	ST
245	5.443-019.0	Plug	1.000	ST
246	6.363-625.0	O-Ring seal 2,7x1,5 NBR90	1.000	ST
247	5.048-047.0	Clamp pressure sensor	1.000	ST
248	6.362-151.0	O-Ring d. 10 x 2 NBR 70	1.000	ST
9000	2.885-186.0	Spare parts set excess-current	1.000	ST
9001	4.769-034.0	Nozzle insert only for replacement	1.000	ST



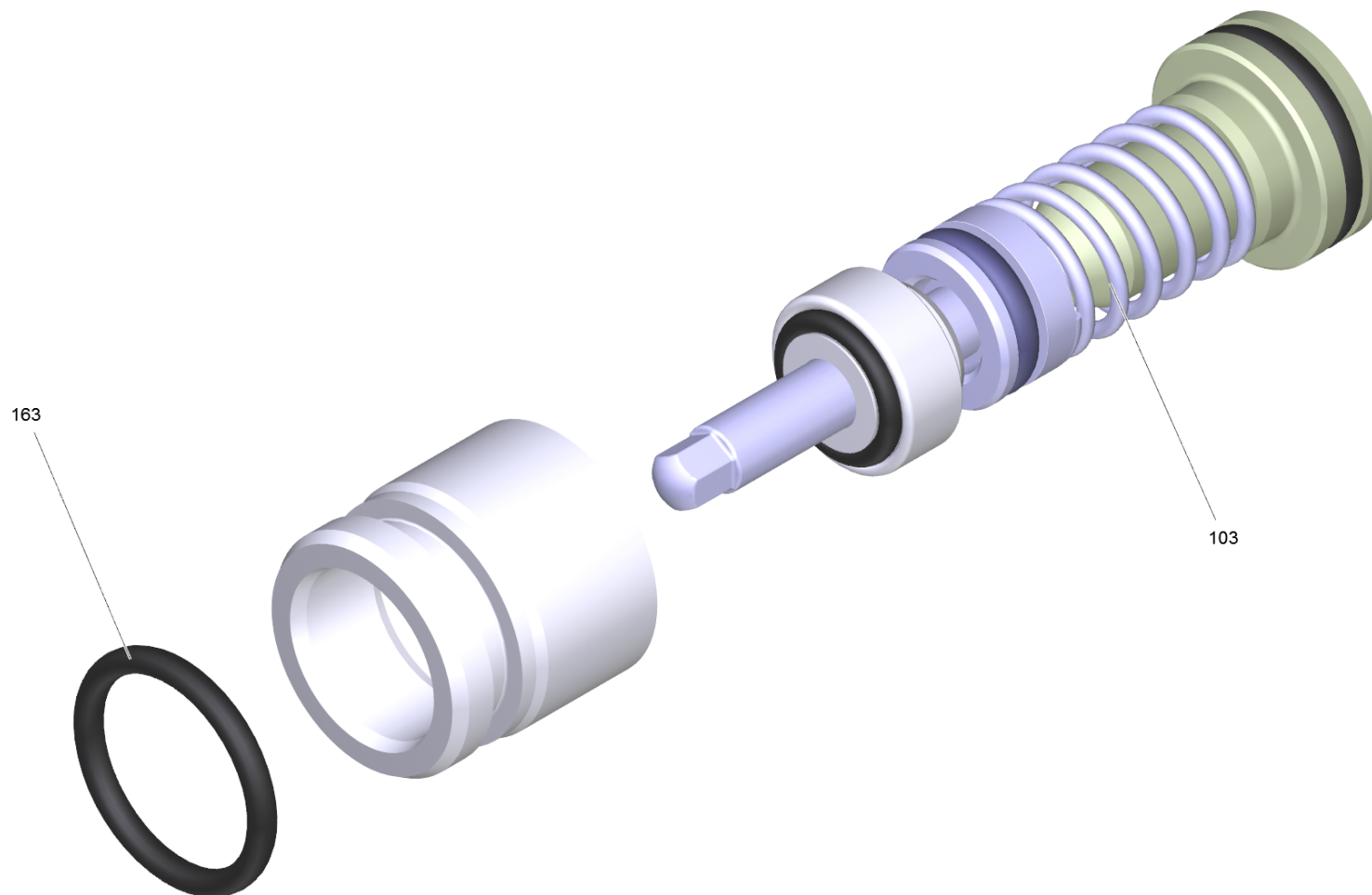
101 Piston guidance complete

POS	Article no.	Description	Quantity	Unit
110	9.002-522.0	Piston completo K7 (c/imballo)	3.000	ST
115	5.062-655.0	Pump piston guidance K7	1.000	ST
116	6.363-633.0	Grooved ring 12x18x6/5/1	3.000	ST
117	5.116-381.0	Supporting disk	3.000	ST
118	5.116-380.0	Washer piston guidance	3.000	ST
168	6.363-449.0	O-Ring seal 72x2 -NBR70	1.000	ST



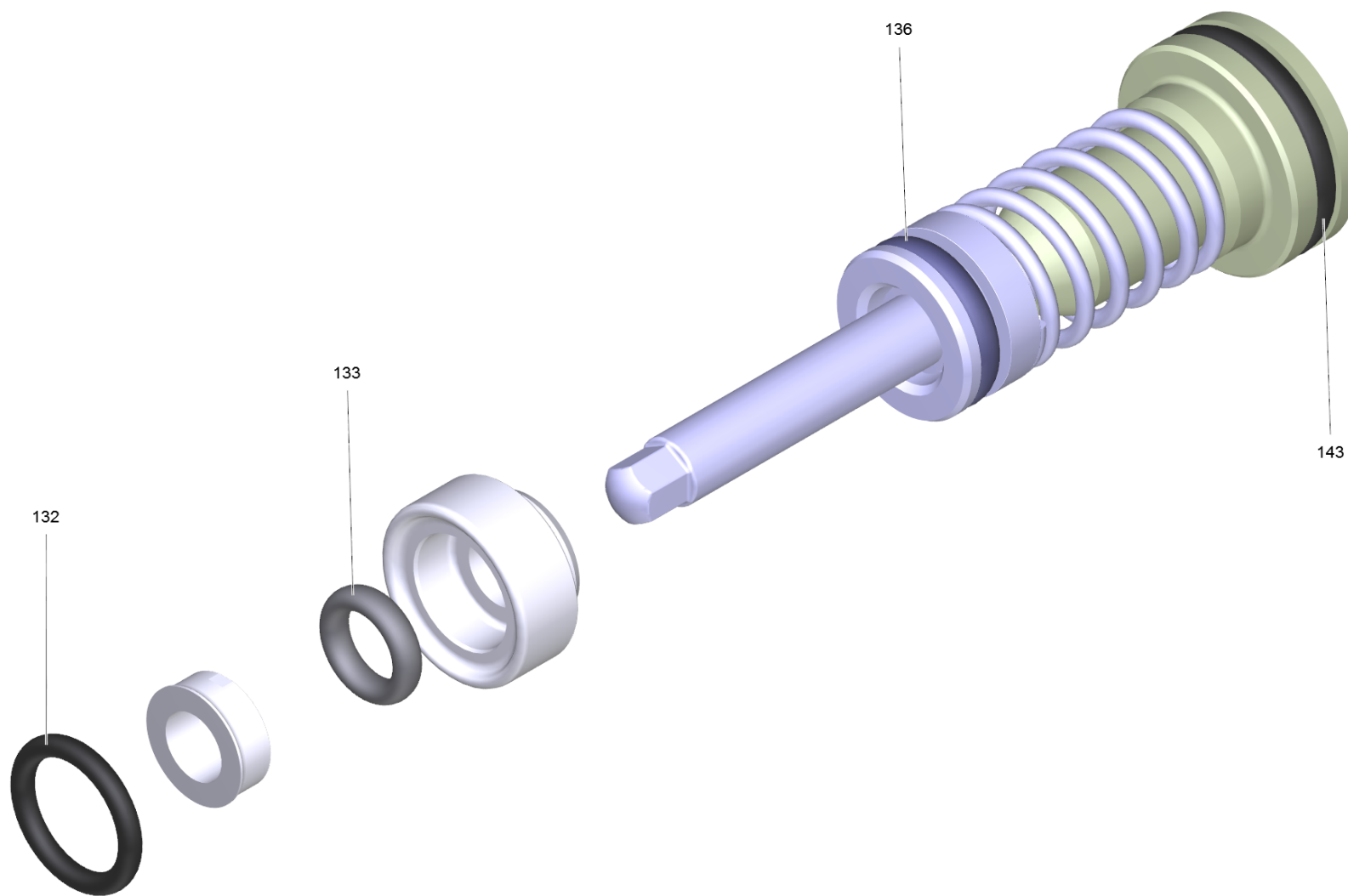
104 Valve pin complete (4.584-022.0)

POS	Article no.	Description	Quantity	Unit
208	6.363-613.0	O-Ring seal 4 x 2 -NBR90	1.000	ST



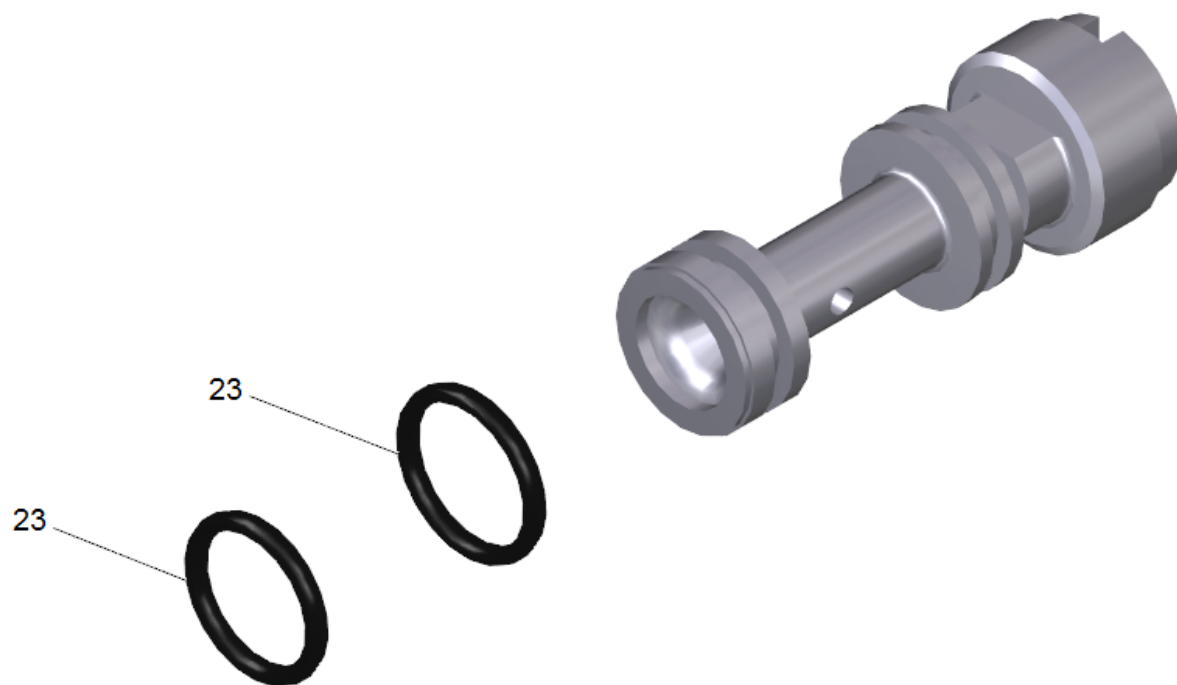
9000 Spare parts set excess-current (2.885-186.0)

POS	Article no.	Description	Quantity	Unit
103	2.885-408.0	Control piston complete replacement	1.000	ST
163	6.362-030.0	O-Ring seal 15x2 90 Shore IRHD	1.000	ST



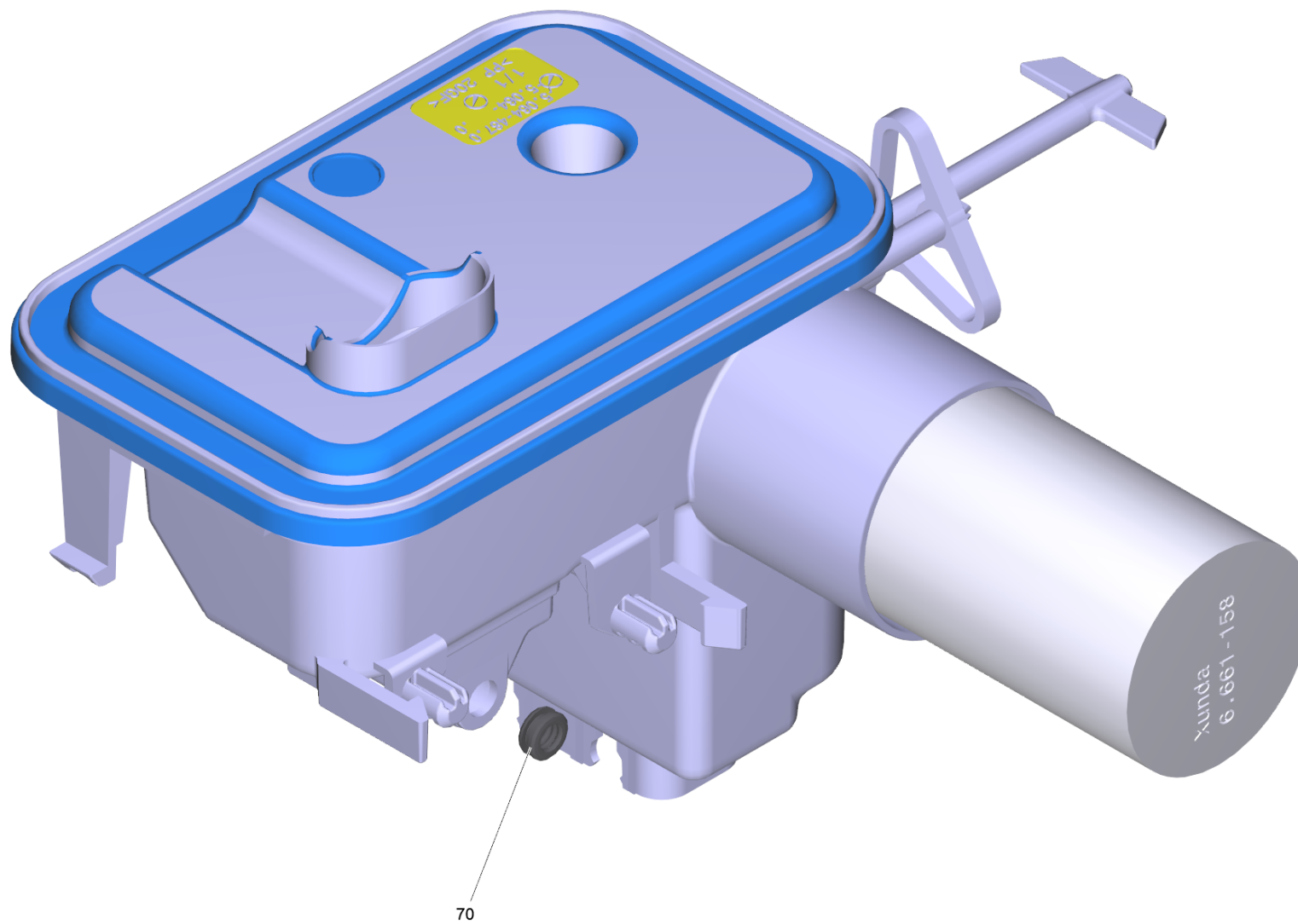
103 Control piston complete replacement (2.885-408.0)

POS	Article no.	Description	Quantity	Unit
132	6.362-101.0	O-Ring seal 8 X 2	1.000	ST
133	6.363-606.0	O-Ring seal 4,7 x 1,9 -NBR70	1.000	ST
136	6.363-614.0	O-Ring seal 9 x 2 -NBR90	1.000	ST
143	6.362-381.0	O-Ring seal 13x2 - NBR 70	1.000	ST



9001 Nozzle insert only for replacement (4.769-034.0)

POS	Article no.	Description	Quantity	Unit
23	6.362-384.0	O-Ring seal 9x1,5 - NBR 70	2.000	ST



53 Electric box complete (4.800-005.3)

POS	Article no.	Description	Quantity	Unit
70	5.363-749.0	Seal control piston	1.000	ST



3 Dirt blaster FC 033 St (4.764-070.0)

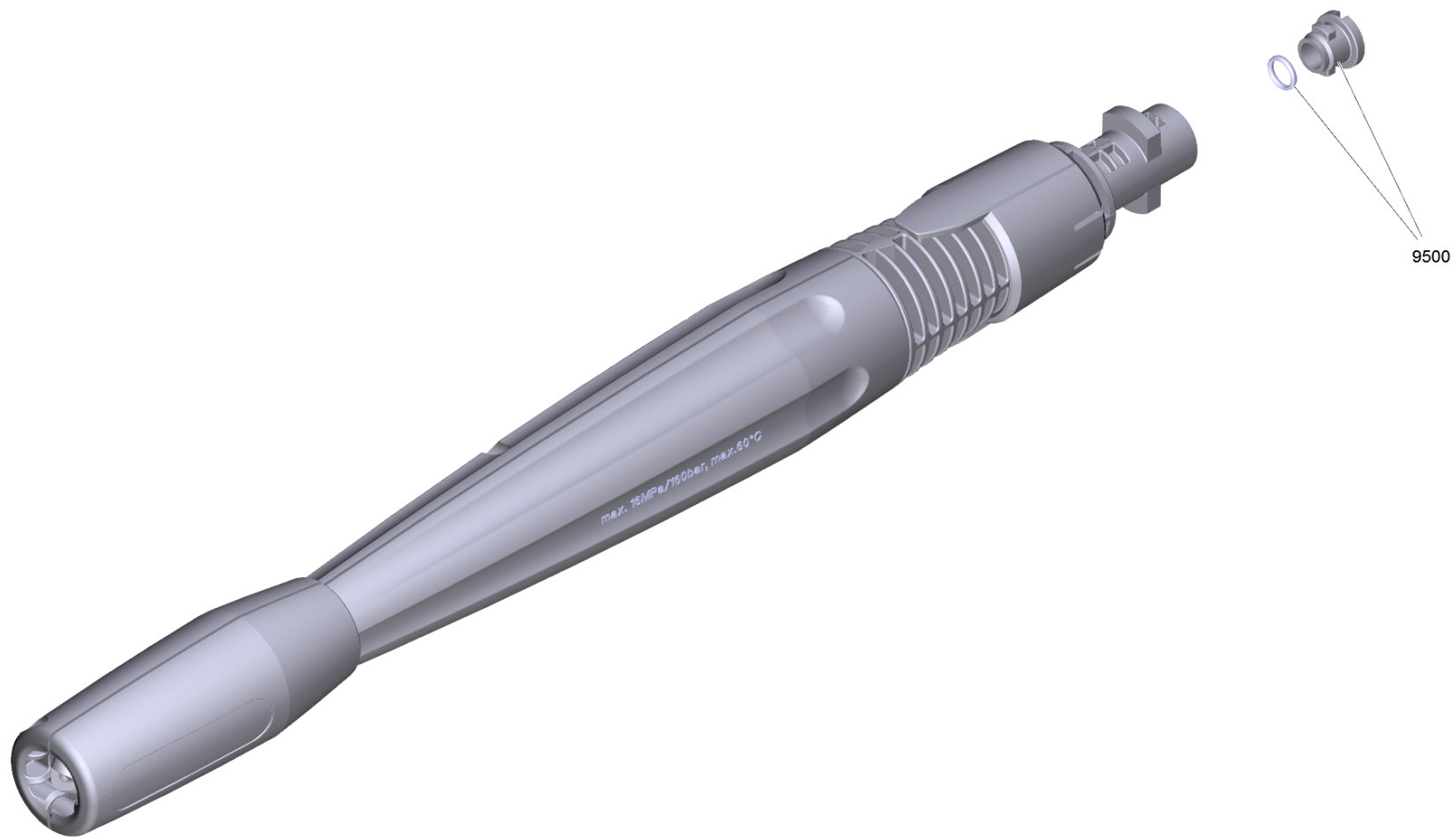
POS	Article no.	Description	Quantity	Unit
9500	2.640-729.0	O-Ring seal set	1.000	ST

10 Spare part set G 145 Q Full Control (2.885-478.0)

POS	Description	Quantity	Unit
1	G 145 FC	1.000	ST

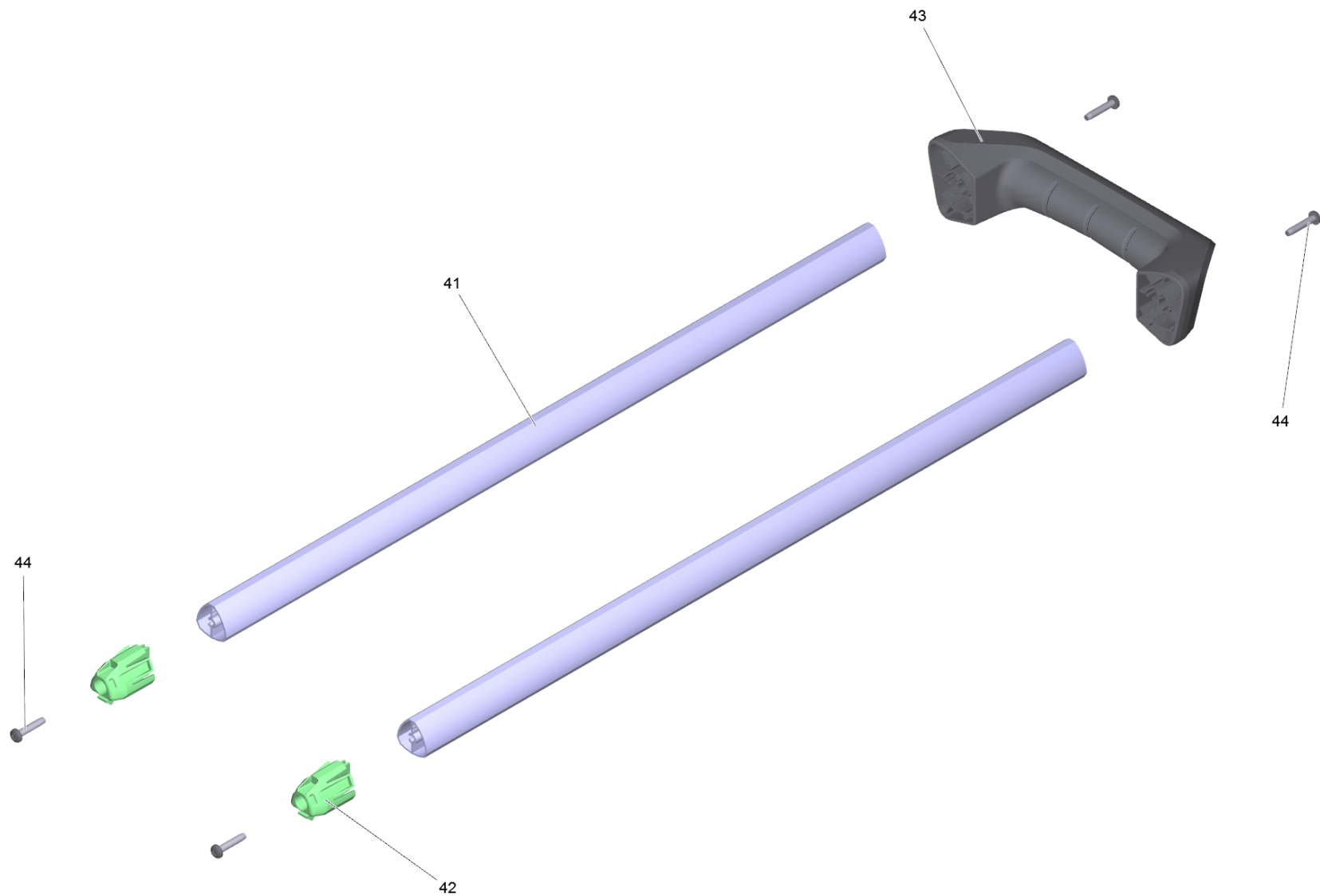
1 G 145 FC

POS	Article no.	Description	Quantity	Unit
1	2.885-470.0	Spare part set cover battery	1.000	ST
2	5.332-464.0	Pressure spring	1.000	ST



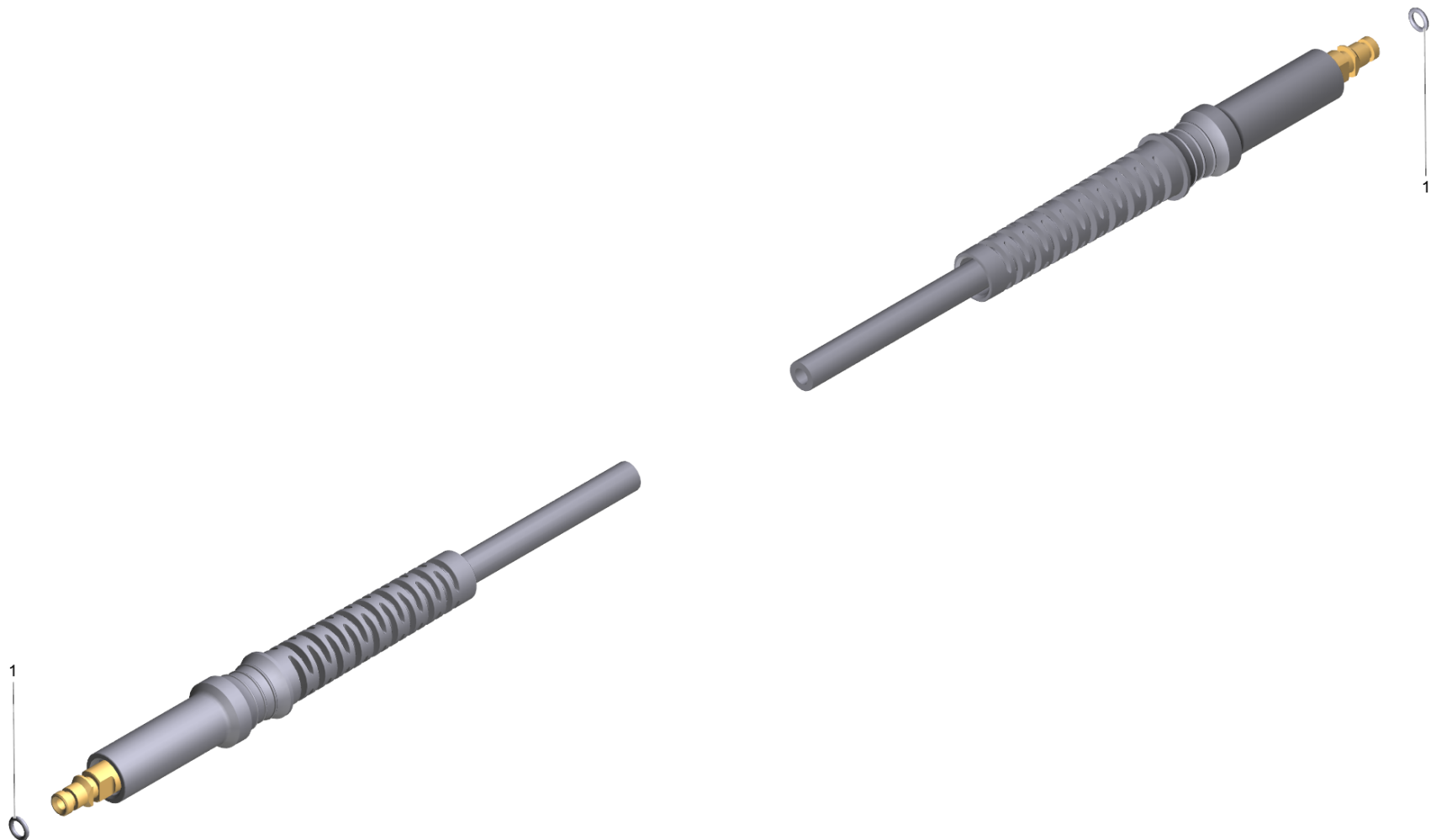
11 VPS K7 FC 032 MS (4.760-031.0)

POS	Article no.	Description	Quantity	Unit
9500	2.640-729.0	O-Ring seal set	1.000	ST



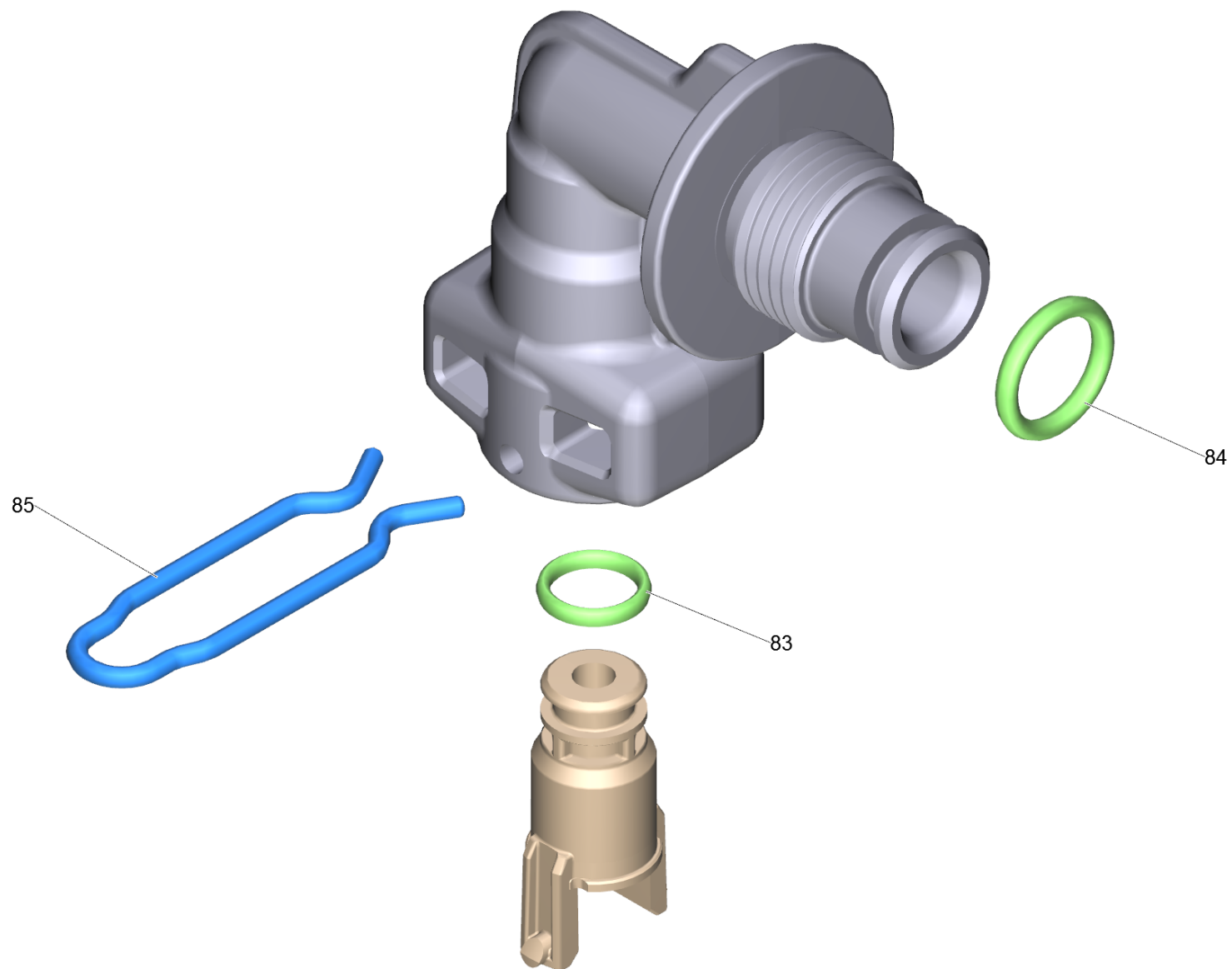
14 Handhold complete

POS	Article no.	Description	Quantity	Unit
41	5.105-015.0	Tube L=500	2.000	ST
42	9.038-640.0	End piece	2.000	ST
43	5.322-163.0	Hand grip	1.000	ST
44	7.303-034.0	Screw M4x20-ST-R2R (IN6RD)	4.000	ST



16 High pressure hose 16MPa/12 60°C QC B (6.391-785.0)

POS	Article no.	Description	Quantity	Unit
1	2.640-729.0	O-Ring seal set	1.000	ST



28 Angle cleat high pressure hose only for replacement (4.775-845.3)

POS	Article no.	Description	Quantity	Unit
83	6.362-658.0	O-Ring seal 7 X 1,5-NBR 90	1.000	ST
84	6.362-151.0	O-Ring d. 10 x 2 NBR 70	1.000	ST
85	5.059-401.0	Clamp	1.000	ST