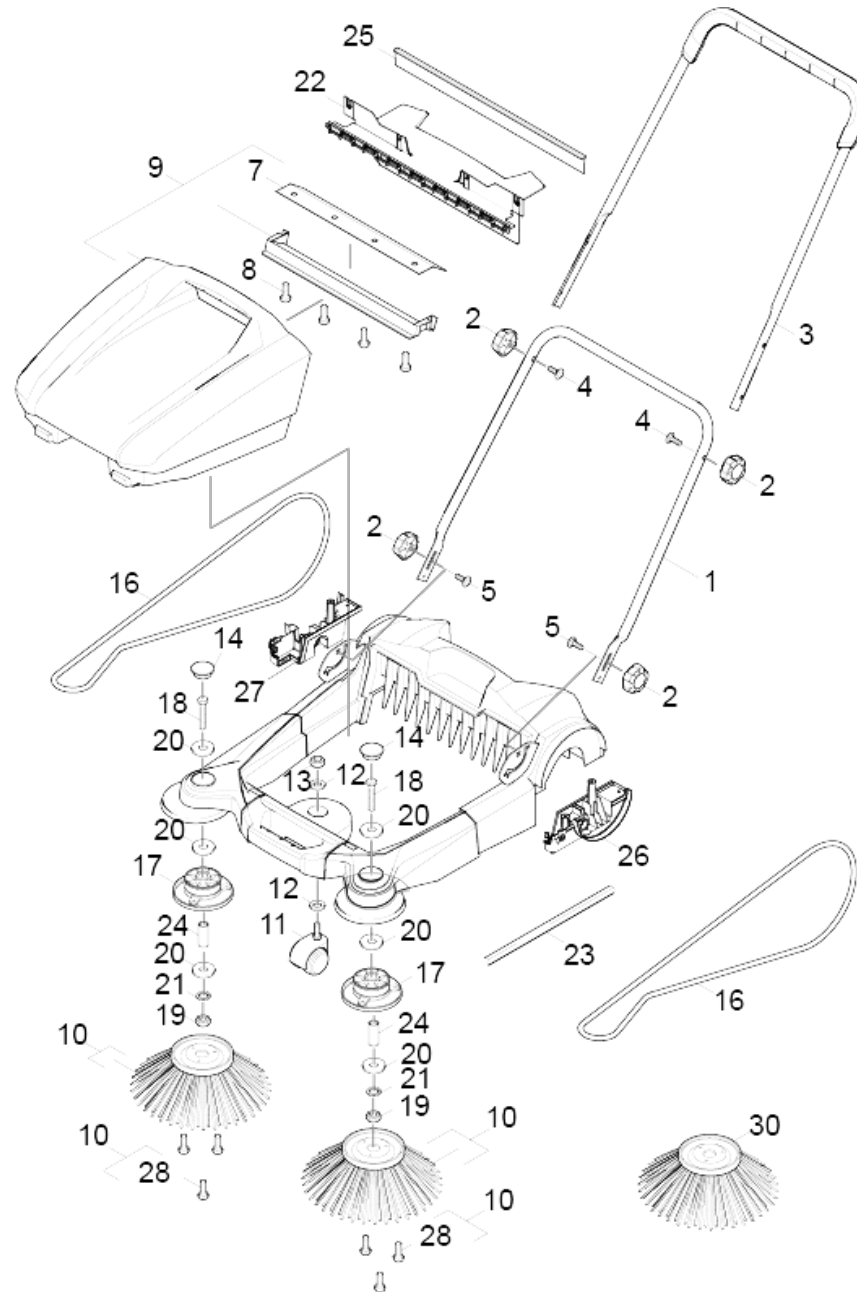


10 Individual parts

Home and Garden \ Sweepers \ Manually operated \ S 650 2 in 1 \ Individual parts



10 Individual parts

Home and Garden \ Sweepers \ Manually operated \ S 650 2 in 1 \ Individual parts

KÄRCHER

POS	Article no.	Description	Quantity	Unit	Remark
26	5.032-977.0	Axle drum left	1.000	ST	
27	5.032-979.0	Axle drum right	1.000	ST	
17	5.032-981.0	Belt pulley for side broom	2.000	ST	
14	6.387-996.0	Cap	2.000	ST	
11	6.435-130.0	Castor D 50 mm	1.000	ST	
7	5.032-984.0	Ground lip	1.000	ST	
2	5.321-800.0	Handle	4.000	ST	
18	7.304-031.0	Hexagonal head screw M8x55-8.8-A2E ISO	2.000	ST	
19	7.311-004.0	Hexagon nut M8 -8-A3E ISO 4032	2.000	ST	
13	7.311-423.0	Hexagon nut M10 -04-A2E DIN 985	1.000	ST	
22	5.057-950.0	Holder for rear skirting	1.000	ST	
23	6.365-371.0	Profile gasket	1.000	M	
25	5.032-980.0	Rear skirting	1.000	ST	
16	6.363-012.0	Round belt EPDM 70	2.000	ST	
5	6.303-498.0	Saucer-head screw M8x25	2.000	ST	
4	7.303-008.0	Saucer-head screw M 8x35-ST-A0P DIN 603	2.000	ST	
28	7.303-339.0	Screw 4x12 -10.9-A3K (IN6RD)	6.000	ST	
8	7.303-106.0	Screw 4x12 -10.9-R2R (IN6RD)	4.000	ST	
21	7.312-233.0	Serrated lock washer A8,4-FSt-A3E DIN67	2.000	ST	
3	4.034-145.0	Shearing shackle long complete S 650	1.000	ST	
1	4.034-143.0	Shearing shackle short	1.000	ST	
30	2.644-026.0	Side brush for wet conditions	1.000	ST	includes two side brushes
10	2.884-971.0	Spare parts set side broom	2.000	ST	includes one side brush
9	2.884-970.0	Spare parts set sweep tank neutrally	1.000	ST	
24	5.129-091.0	Tube for side broom	2.000	ST	
20	7.312-004.0	Washer 8 -200HV-A3E ISO 7089	6.000	ST	
12	7.312-285.0	Washer 10 -200HV-A2E ISO7093-1	2.000	ST	