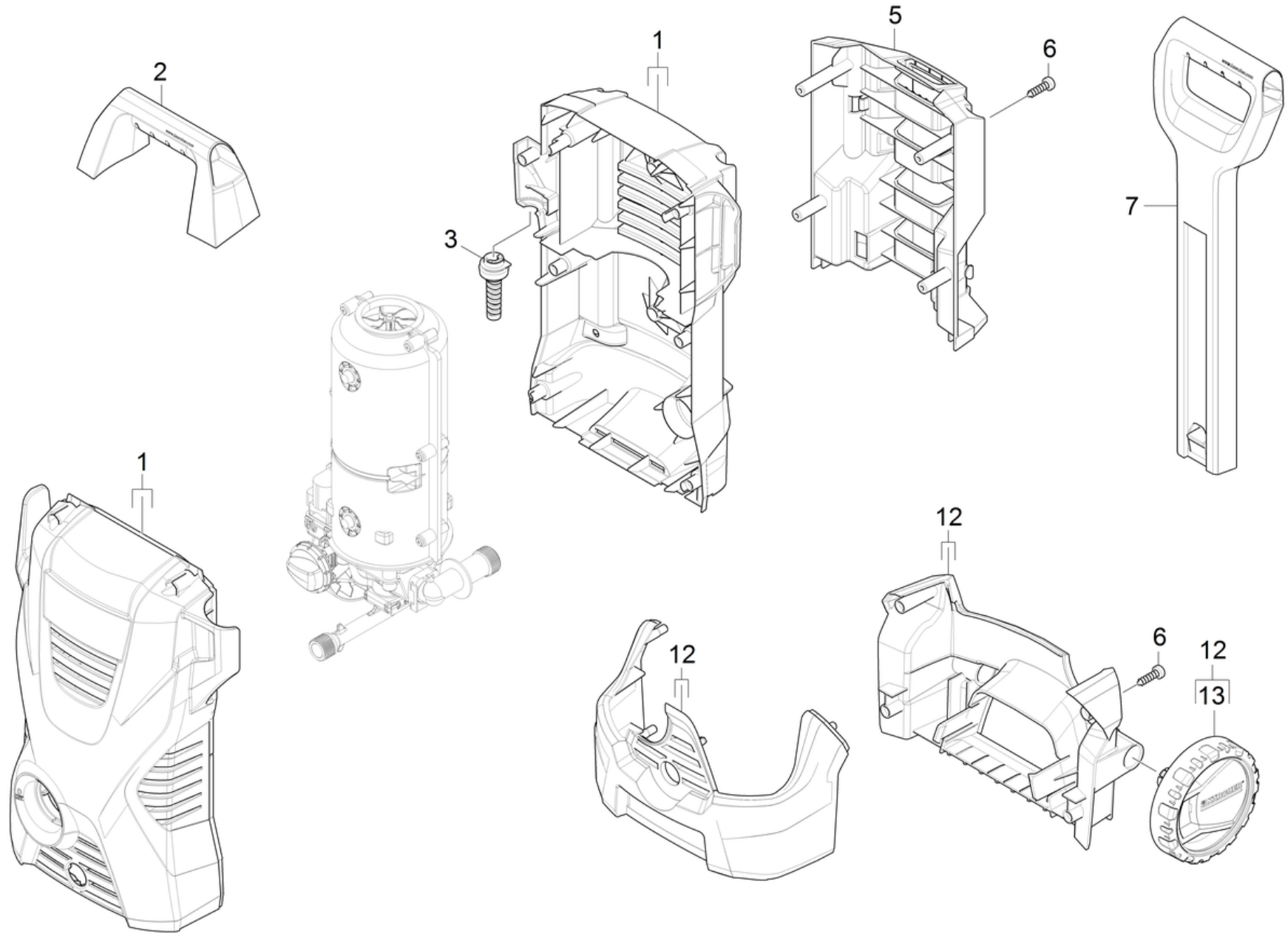


10 Housing

Home and Garden \ High pressure cleaner cold water \ Electric motor \ K 2 \ K 2 Ergo \ Spare parts list K2 Telescopic \ Housing



10 Housing

Home and Garden \ High pressure cleaner cold water \ Electric motor \ K 2 \ K 2 Ergo \ Spare parts list K2 Telescopic \ Housing

POS	Article no.	Description	Quantity	Unit
12	4.520-205.0	Chassis complete replacement K2 MR Stand	1	PC
5	5.037-237.0	Holder accessories K2 Modul-Range	1	PC
2	5.322-038.0	Handhold small K2 Modul-Range	1	PC
7	5.322-041.0	Handhold Trolley K2 Modul-Range	1	PC
13	5.515-357.0	Wheel D120 K2 Modul-Range	2	PC
6	9.086-221.0	Screw ATF 4.1x22	11	PC
1	9.755-437.0	Housing pair K2 MR spare part	1	PC
3	9.760-372.0	strain relief	1	PC