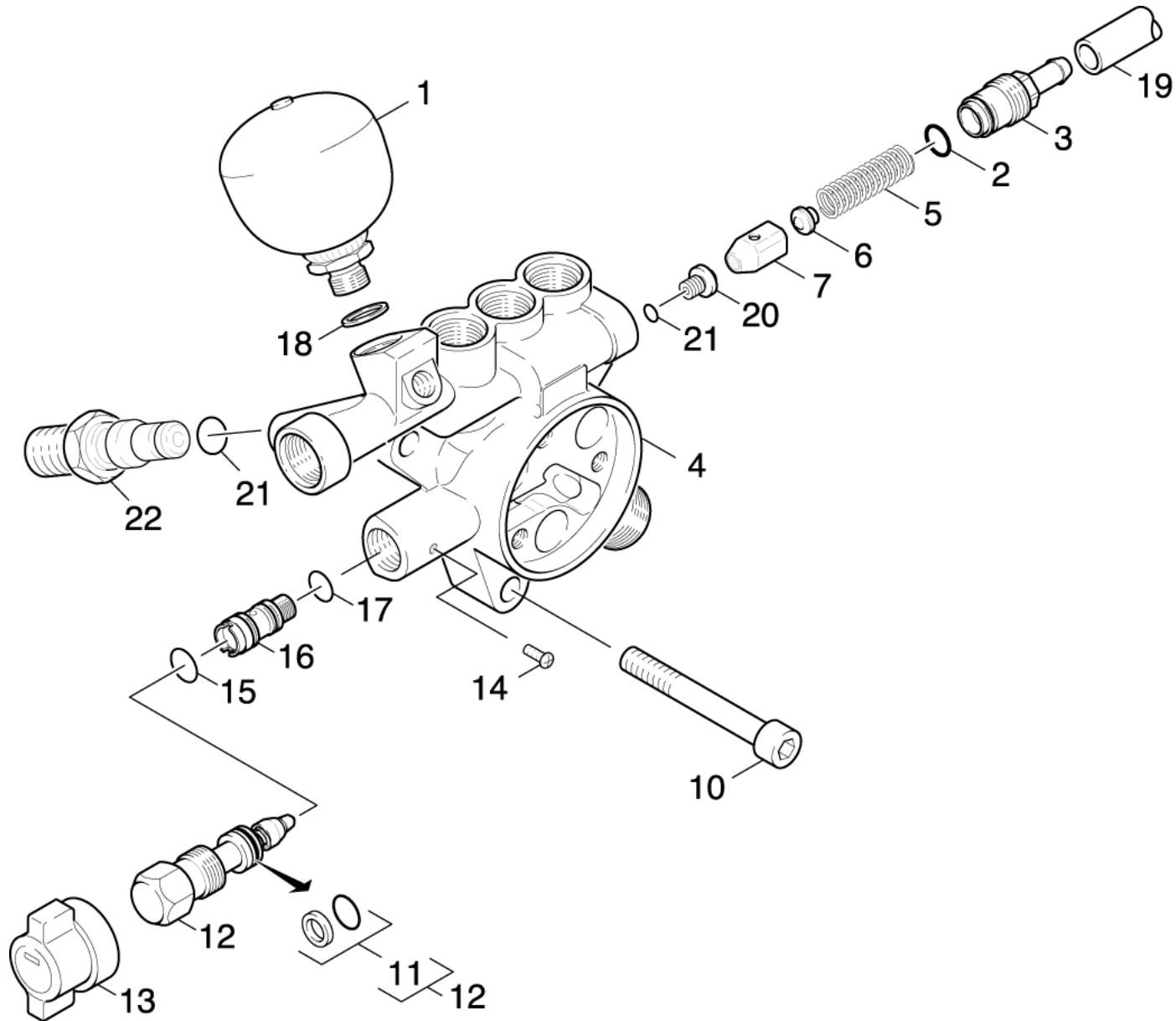


23 Cylinder head

Overview technical documents/Professional/High pressure cleaner hotwater/Electric motor/HDS 900 CI *CSA-CDN (1.873-410.0)/Spare parts list HDS 900 CI */20 Pump set/23 Cylinder head



23 Cylinder head

Overview technical documents/Professional/High pressure cleaner hotwater/Electric motor/HDS 900 CI *CSA-CDN (1.873-410.0)/Spare parts list HDS 900 CI */20 Pump set/23 Cylinder head

Rez.daļas/nodil.pakļ.daļas	Poz.	Materiāla Nr.	Nosaukums	Daudzums	Pārdoš. vienība	no sēr. Nr..	līdz sēr. Nr.
	1	6.505-025.0	Pressure accumulator	1.000	ST	0000000000	0000000000
	2	6.362-169.0	Gredzenblīve 12,0 X 2,0	1.000	ST	0000000000	0000000000
	3	5.583-130.0	Valve screw	1.000	ST	0000000000	0000000000
	4	4.550-366.0	Cylinder head complete	1.000	ST	0000000000	0000000000
	5	5.332-414.0	Spirālveida atspere	1.000	ST	0000000000	0000000000
	6	5.584-060.0	Valve pin	1.000	ST	0000000000	0000000000
	7	4.582-019.0	Valve disc complete	1.000	ST	0000000000	0000000000
	10	7.306-125.0	Cil. galvas skr. M10x70-8.8-A3E ISO4	3.000	ST	0000000000	0000000000
X-X	11	6.362-575.0	Gredzenblīve 12,42 KOMPL	1.000	ST	0000000000	0000000000
	12	4.291-009.0	Spindle	1.000	ST	0000000000	0000000000
	13	5.321-263.0	Handhold	1.000	ST	0000000000	0000000000
	14	7.306-323.0	Pan head screw M4x6 -CU2 ISO 7045-H	1.000	ST	0000000000	0000000000
	15	6.362-402.0	O-Ring seal 11,0 X 1,3-NBR 70	1.000	ST	0000000000	0000000000
	16	5.110-384.0	Sleeve	1.000	ST	0000000000	0000000000
	17	6.362-482.0	Gredzenblīve 10 x 1,5-NBR 70	1.000	ST	0000000000	0000000000
X	18	7.362-005.0	Joint ring A14x18 -Cu DIN 7603	1.000	ST	0000000000	0000000000
	19	6.388-167.0	Hose DN15	1.000	M	0000000000	0000000000
	20	5.581-231.0	Vārsta ligzda	1.000	ST	0000000000	0000000000
	21	6.362-703.0	Gredzenblīve 6,0x1,5-NBR 70	1.000	ST	0000000000	0000000000
	22	5.409-272.0	Double nipple	1.000	ST	0000000000	0000000000
	23	6.362-151.0	Gredzenblīve 10 x 2 NBR 70	1.000	ST	0000000000	0000000000
	100	2.883-855.0	PUMP SET	1.000	ST	0000000000	0000000000