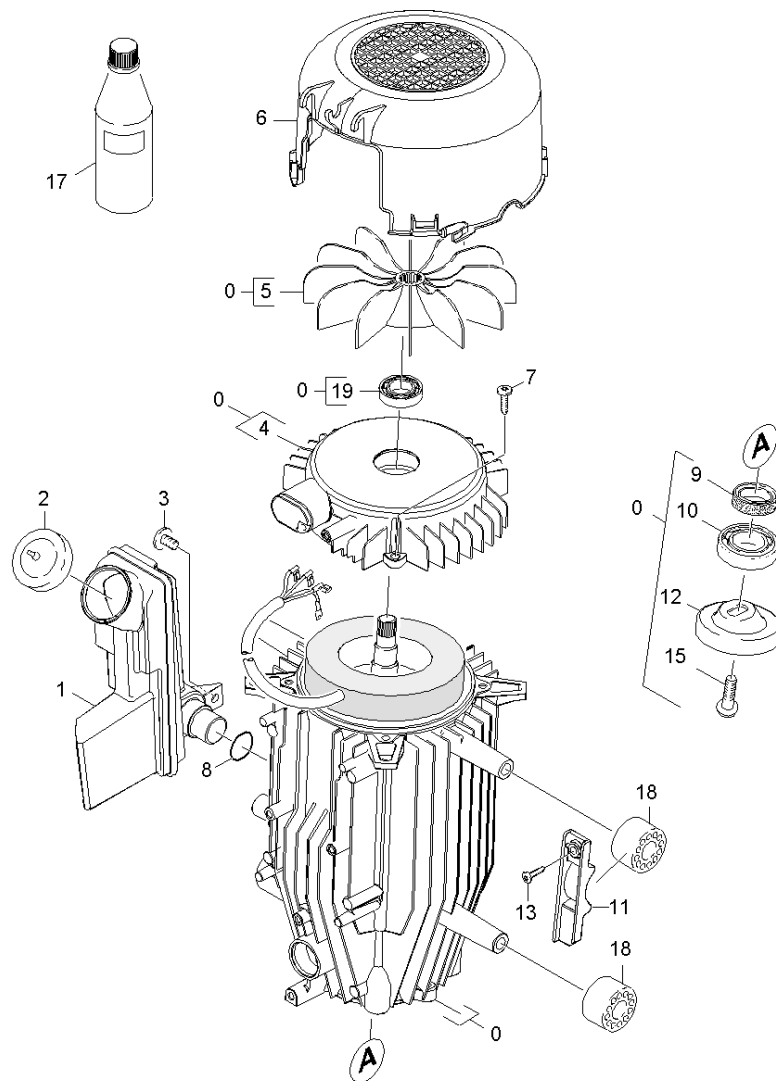


30 Motor

Overview technical documents/Professional/High pressure cleaner cold water/Electric motor/HD 6/15 CX Plus *EU (1.150-650.0)/Spare parts list HD 6/15 CX PLUS *EU/30 Motor



30 Motor

Overview technical documents/Professional/High pressure cleaner cold water/Electric motor/HD 6/15 CX Plus *EU (1.150-650.0)/Spare parts list HD 6/15 CX PLUS *EU/30 Motor

ET/VT (spare/wear parts)	Pos	Material #	Name	Qty.	Unit	from ser.nr.	up to ser.nr.
	0	4.623-675.0	Motor complete	1.000	ST	0000000000	0000000000
	1	5.070-639.0	Tank oil	1.000	ST	0000000000	0000000000
X-X	2	5.064-454.0	Cover qusty grey	1.000	ST	0000000000	0000000000
	3	6.303-153.0	Screw M5x15-ST-R2R (IN6RD)	1.000	ST	0000000000	0000000000
	4	5.094-148.0	Bearing cover B	1.000	ST	0000000000	0000000000
	5	5.600-060.0	Blower wheel	1.000	ST	0000000000	0000000000
	6	5.692-081.0	Air circulation	1.000	ST	0000000000	0000000000
	7	6.303-320.0	Screw M 5x 20-St-R2R	4.000	ST	0000000000	0000000000
	8	6.362-161.0	O-Ring seal 19,3 X 2,4	1.000	ST		
	9	7.367-001.0	Radial shaft seal ring A24x37x7 -NBR DI	1.000	ST	0000000000	0000000000
	10	6.401-427.0	Angular contact ball bearing	1.000	ST	0000000000	0000000000
	11	5.802-288.0	Mounting part	2.000	ST	0000000000	0000000000
	12	6.401-307.0	Wobble plate	1.000	ST	0000000000	0000000000
	13	7.303-108.0	Screw 5x20 -10.9-R2R (In6Rd)	2.000	ST	0000000000	0000000000
	15	9.086-169.0	Wobble plate screw M8x16	1.000	ST	0000000000	0000000000
	17	6.288-050.0	Engine oil 1L	1.000	ST	0000000000	0000000000
	18	5.767-005.0	Rubber buffer	4.000	ST	0000000000	0000000000
	19	7.401-128.0	Ball bearing 6202-2RS -Wälzl.St DIN 625	1.000	ST	0000000000	0000000000