


Deutsch	3
English	9
Français	15
Italiano	21
Nederlands	27
Español	33
Português	39
Dansk	45
Norsk	51
Svenska	57
Suomi	63
Ελληνικά	69
Türkçe	76
Русский	82
Magyar	88
Čeština	94
Slovenščina	100
Polski	106
Românește	112
Slovenčina	118
Hrvatski	124
Srpski	130
Български	136
Eesti	142
Latviešu	148
Lietuviškai	154
Українська	160
ไทย	166
Indonesia	172
中文	178

 Register and win!
www.karcher.com/register-and-win



 Please read and comply with these original instructions prior to the initial operation of your appliance and store them for later use or subsequent owners.

Contents

Safety instructions	EN	1
Function	EN	1
Proper use	EN	1
Environmental protection	EN	1
Warranty	EN	1
Operating and Functional Elements	EN	2
Before Startup	EN	3
Operation	EN	3
Shutting Down the Appliance	EN	4
Transport	EN	4
Storage	EN	4
Care and maintenance	EN	4
Frost protection	EN	5
Faults	EN	5
Accessories	EN	6
Technical specifications	EN	6
Spare parts	EN	6
EC Declaration of Conformity	EN	6

Safety instructions

Before using the appliance for the first time, read and observe these operating instructions and the accompanying brochure: Safety information for brush cleaning units and spray-extraction units, No. 5.956-251.0.

The device may only be operated when the cover and all lids are closed.

The appliance must only be operated on surfaces that do not exceed the max. permitted incline (see "Technical Specifications").

WARNING

Do not use the appliance on inclines.

Safety Devices

Safety devices serve to protect the user and must not be rendered in operational or their functions bypassed.

Safety Switch

If the safety switch is released, the brush drive shuts off.

Danger or hazard levels

DANGER

For an immediate danger which can lead to severe injuries or death.

WARNING

For a possibly dangerous situation which could lead to severe injuries or death.

CAUTION

Pointer to a possibly dangerous situation, which can lead to minor injuries.

ATTENTION

Pointer to a possibly dangerous situation, which can lead to property damage.

Function

The scrubbing vacuum cleaner is used for the wet cleaning of level floors.

- The device can be easily adjusted to the respective cleaning task by adjusting the water volume and the detergent volume.

The detergent dosing unit can be adjusted via the addition in the tank.

- The appliance is equipped with a fresh water and a wastewater reservoir (60 litres each). These allow an effective cleaning with a long usage life.
- A working distance of 500 mm will improve the efficiency when you are using the appliance for a long period.
- Propulsion is accomplished by manually pushing the device and is supported by the rotation of the brushes.
- The power supply operation allows a high capacity without a restriction of the working time.

Note:

The appliance can be equipped with various accessories depending on the cleaning task.

Please request our catalogue or visit us on the Internet at www.kaercher.com.

Proper use

Use this appliance only as directed in these operating instructions.

- The appliance may only be used for the cleaning of hard surfaces that are not sensitive to moisture and polishing operations.
- The appliance is not suited for the cleaning of frozen grounds (e.g. in cold stores).
- The appliance may only be equipped with original accessories and spare parts.
- The appliance is not suited for the use in potentially explosive environments.
- The machine should not be used to suck in inflammable gases, undiluted acids or solvents.
This includes petrol, thinning agents or hot oil that can form an explosive mixture when it comes in contact with sucked air. Do not use acetone, undiluted acids and solvents as they are aggressive towards the materials from which the appliance is made.
- The machine has been approved for use on surfaces with max. gradients as listed under "Technical Specifications".

Environmental protection



The packaging material can be recycled. Please do not throw the packaging material into household waste; please send it for recycling.



Old appliances contain valuable materials that can be recycled. Please arrange for the proper recycling of old appliances. Please dispose your old appliances using appropriate collection systems.

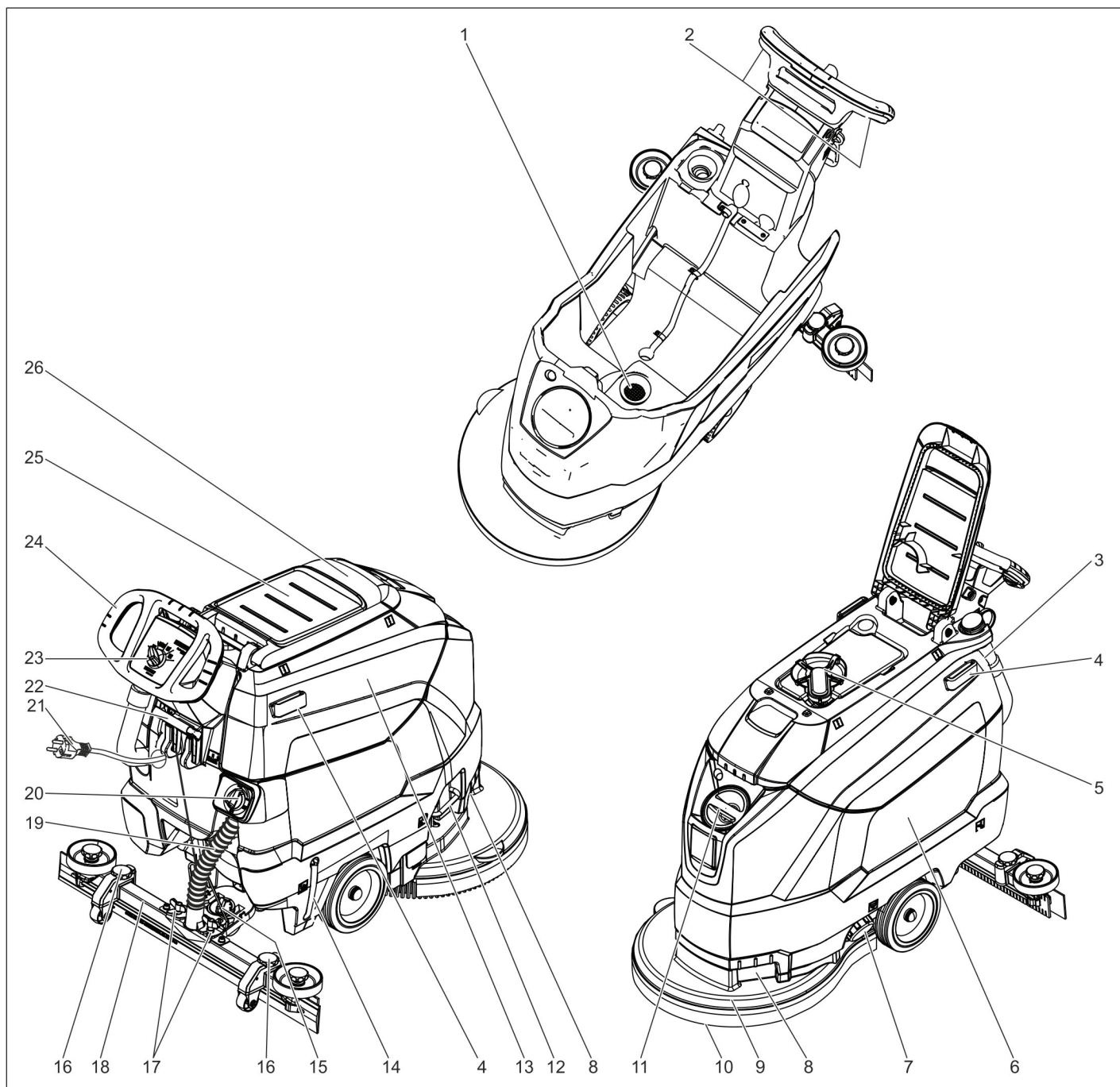
Information on ingredients (REACH)

The latest information on ingredients can be found under:

www.kaercher.de/REACH

Warranty

The warranty terms published by our competent sales company are applicable in each country. We will repair potential failures of your accessory within the warranty period free of charge, provided that such failure is caused by faulty material or defects in fabrication. In the event of a warranty claim please contact your dealer or the nearest authorized Customer Service center. Please submit the proof of purchase.



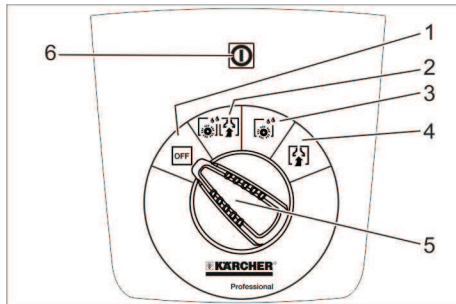
- | | |
|--|---|
| 1 Fluff filter | 21 Mains cable with mains plug |
| 2 Safety button | 22 Vacuum bar lowering lever |
| 3 Drain hose for wastewater with dosing unit | 23 Operator console |
| 4 Holding rail for home base | 24 Push handle |
| 5 Float | 25 Storage surface for cleaning set "Home base box" |
| 6 Fresh water tank | 26 Cover waste water tank |
| 7 Fresh water tank lock | |
| 8 Recessed grip | |
| 9 Cleaning head | |
| 10 Disc brush | |
| 11 Fresh water reservoir filler neck | |
| 12 Bow brush change | |
| 13 waste water tank | |
| 14 Fresh water level display | |
| 15 Rotary handle to incline the vacuum bar | |
| 16 Height adjustment of suction bar * | |
| 17 Wing nuts for fastening the vacuum bar | |
| 18 Vacuum bar * | |
| 19 Suction hose | |
| 20 Water quantity regulator | |

* not included in the delivery

Colour coding

- The operating elements for the cleaning process are yellow.
- The controls for the maintenance and service are light gray.

Operator console



- 1 **OFF**
Device is switched off
- 2 **Normal mode**
Wet clean the floor and vacuum up dirt water.
- 3 **Intense mode**
Wet clean the floor and allow the detergent to react.
- 4 **Vacuum mode**
Suck in the dirt fleet.
- 5 Program selection switch
- 6 Indicator light voltage supply
Glows when the mains plug is inserted and when there is mains voltage.

Symbols on the machine

	Mains plug
	Lashing point
	Mop holder **
	Filling level fresh water tank 25%
	Bow brush change
	Vacuum bar lowering lever
	Drain outlet fresh water tank
	Dirt water discharge hose

** option

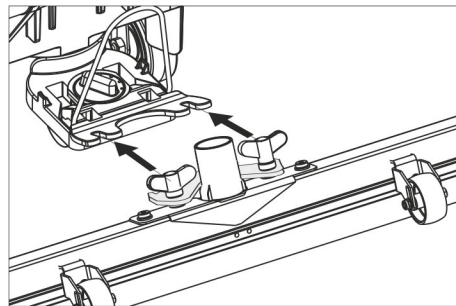
Before Startup

Unloading

- Unscrew the screws from the middle board of the pallet.
- Push down the device holding the push handle and pull out the middle board.
- Remove the chocks in front of and next to the wheels.
- Push down the device holding the push handle and push it forwards up to the edge of the pallet.
- Lift the device off the pallet and set it on the floor.

Installing the Vacuum Bar

- Insert the vacuum bar into the vacuum bar suspension in such a manner that the profiled sheet is positioned above the suspension.
- Tighten the wing nuts.



- Insert the suction hose.

Operation

⚠ DANGER

Risk of injury!

In dangerous situations, release the safety switch/drive lever.

Filling in detergents

Fresh water

- Open the lock of the fresh water reservoir.
- Fill fresh water (maximum 60 °C) until the lower edge of the filling nozzle.
- Close the lock of the fresh water reservoir.

Detergent

⚠ WARNING

Risk of damage. Only use the recommended detergents. With other detergents, the operator bears the increased risk regarding the operational safety and danger of accident.

Only use detergents that are free from solvents, hydrochloric acid and hydrofluoric acid. Follow the safety instructions for using detergents.

Note:

Do not use highly foaming detergents.

Recommended detergents:

Application	Detergent
Routine cleaning of all water resistant floors	RM 746 RM 780
Routine cleaning of glossy surfaces (e.g. granite)	RM 755 es
Routine cleaning and basic cleaning of industrial floors	RM 69 ASF
Routine cleaning and basic cleaning of fine stoneware tiles	RM 753
Routine cleaning of tiles in sanitary areas	RM 751
Cleaning and disinfection in sanitary areas	RM 732
Removal of coating from all alkali-resistant floors (e.g. PVC)	RM 752
Removal of coating from linoleum floors	RM 754

- Add the detergent to the fresh water reservoir.

Note:

If the fresh water tank is empty, the cleaning head continues working without liquid supply.

Setting the water quantity

- Adjust the water quantity using the regulating button according to the dirt on the floor covering.

Note:

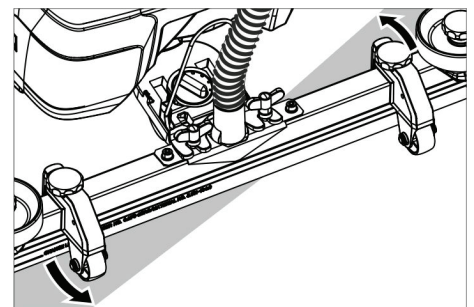
Carry out initial cleaning attempts with low water volume. Increase water volume step-by-step until the desired cleaning result is achieved.

Setting the Vacuum Bar

Oblique position

To improve the vacuuming result on tiled floors the vacuum bar can be turned to an oblique position of up to 5°.

- Loosen the wing nuts.
- Turn the vacuum bar.



- Tighten the wing screws.

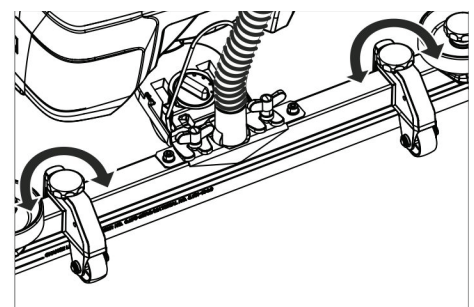
Inclination

If the vacuum result is unsatisfactory the inclination of the straight vacuum bar can be modified.

- Adjust the rotary handle to incline the suction bar.

Height

The bend of the suction lips upon contact with the floor is influenced with the height adjustment.

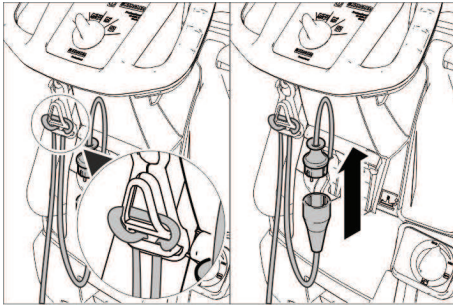


- Try adjusting the twist handles of the height adjustment until the best vacuuming result is achieved.

Cleaning

ATTENTION

Risk of damage to the floor covering. Do not operate the appliance on the spot.



- Insert the end of the extension cable as a loop in the strain relief clamp.
- Connect the mains plug of the device to the extension cable.
- Insert the mains plug of the extension cable into a socket.
- Turn the program selection switch to the desired cleaning program.
- Operate the safety switch.

Lower the vacuum bar

- Pull the lever out and press it down; the vacuum bar is lowered.

Note:

- For cleaning tiled floors, adjust the straight suction bar in such a way that cleaning is not done at an angle of 90 degrees to the joints.
- The inclined position and the inclination of the suction bar can be adjusted to achieve better suction results (see "Adjusting the suction bar").
- If the waste water tank is full, the float closes the suction opening and the suction turbine runs at an increased speed. If this is the case, shut the vacuum off and drive to empty the waste water tank.

Shutting Down the Appliance

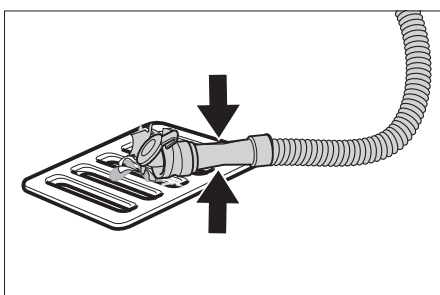
- Close the regulatory button for setting the water quantity.
- Briefly drive forward and suck of the remaining water.
- Raise the vacuum bar.
- Set the programme selector switch to "OFF".
- Disconnect the mains plug from the socket.

Drain off dirt water

⚠ WARNING

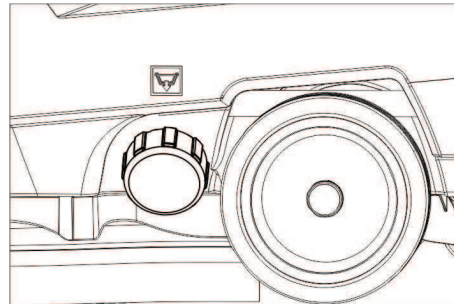
Please observe the local provisions regarding the wastewater treatment.

- Take the water discharge hose from the support and lower above a suited collection device.



- Crush or bend the dosing equipment.
- Open the lid of the dosing equipment.
- Drain off the dirt water - regulate the water quantity by pressing or bending.
- Rinse the waste water tank with clear water.

Drain off clean water



- Unscrew the lock of the fresh water reservoir.

Transport

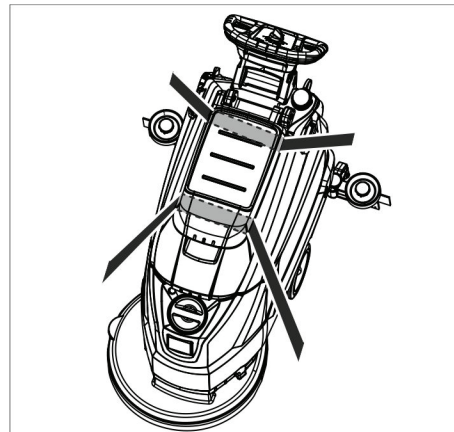
⚠ DANGER

Risk of injury! When loading or unloading the machine, it may only be operated on gradients up to the maximum value (see "Technical Specifications"). Drive slowly.

⚠ CAUTION

Risk of personal injury or damage! Mind the weight of the appliance during transport.

- Press down and push the device using the push handle.



- When transporting in vehicles, secure the appliance according to the guidelines from slipping and tipping over.

Storage

⚠ CAUTION

Risk of personal injury or damage! Consider the weight of the appliance when storing it.

This appliance must only be stored in interior rooms.

Care and maintenance

⚠ DANGER

Risk of injury! Set the programme selector switch to "OFF" and disconnect the mains plug prior to performing any work on the device.

- Drain and dispose of the dirt water and the residual fresh water.

Maintenance schedule

After each operation

ATTENTION

Risk of damage. Do not sluice the appliance with water and do not use aggressive detergents.

- Drain off dirt water.
- Rinse the waste water tank with clear water.
- Clean the outside of the appliance with a damp cloth which has been soaked in mild detergent.
- Check the fluff filter, clean if required.
- Clean the vacuum lips and the wiping lips, check for wear and replace if required.
- Check the brush for wear and replace if required (see "Maintenance tasks").

Monthly

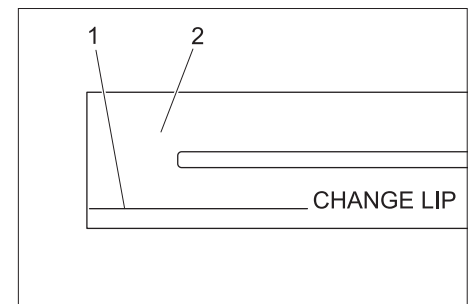
- Clean the seals between waste water tank and cover and check for tightness, replace if required.

Yearly

- Have the prescribed inspection carried out by the customer service.

Maintenance Works

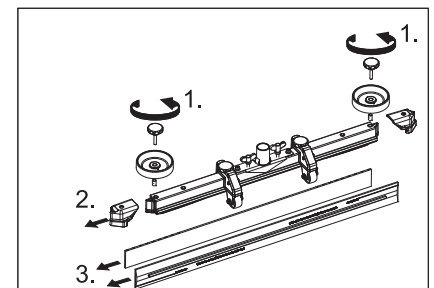
Replace or turn vacuum lips



- 1 Wear indicator
- 2 Vacuum lip

The vacuum lips must be replaced or reversed if they are worn down to the wear indicator.

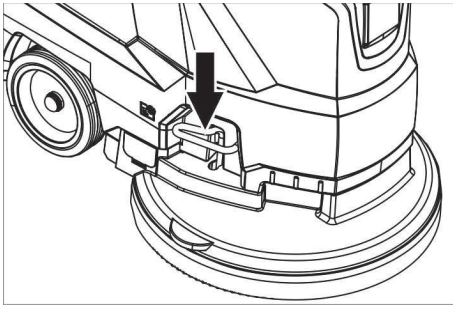
- Remove the vacuum bar.
- Unscrew the star grips.



- Remove the plastic parts.
- Remove the vacuum lips.
- Insert new or reversed vacuum lips.
- Insert the plastic parts.
- Screw in and tighten the star grips.

Replacing the disk brushes

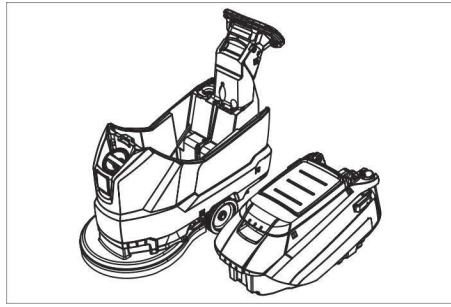
- Push down the device holding the push handle so that the cleaning head is raised.
- Press the pedal for changing the brushes downward beyond its resistance.



- Pull the device towards the back so that the disc brush becomes accessible.
- Place a new disc brush on the floor in front of the device.
- Drive the device with the raised cleaning head over the new disc brush and lower the cleaning head. The brush locks into the drive.

Removing the waste water tank

- Drain off dirt water.



- Lift up the waste water tank and put it aside.

Maintenance contract

To ensure a reliable operation of the appliance maintenance contracts can be concluded with the competent Kärcher sales office.

Frost protection

In case of danger of frost:

- Empty the fresh and waste water tank.
- Store the appliance in a frost-protected room.

Faults

⚠ DANGER

Risk of injury! Set the programme selector switch to "OFF" and disconnect the mains plug prior to performing any work on the device.

- Drain and dispose of the dirt water and the residual fresh water.

Failure	Correction
Appliance cannot be started	Turn the program selection switch to the desired programme.
	Operate the safety switch.
	Insert the mains plug into the socket.
	Is the indicator light voltage supply on?
Insufficient water quantity	Check fresh water level, refill tank if necessary.
	Increase the water volume on the regulating knob for water volume.
Insufficient vacuum performance	Clean the seals between waste water tank and cover and check for tightness, replace if required.
	Check the seals between waste water tank and fresh water tank for damage, replace if necessary.
	Wastewater reservoir is full; shut off the appliance and empty the wastewater reservoir
	Clean the fluff filter.
	Clean the vacuum lips on the vacuum bar, replace if required
	Check if the cover on the dirt water discharge hose is closed
	Check the setting of the vacuum bar.
	Check suction hose for blockages; clean if required.
Check the suction hose for tightness; replace if required.	
Insufficient cleaning result	Check the brushes for wear, replace if required.
Suction turbine is running rough	Clean the swimmer.
Brush does not turn	Check if foreign objects block the brush; remove foreign object if required.
	Release the safety switch.
	Wait for a while.
	Operate the safety switch.
Vibrations during cleaning	You might need to use a softer brush.

In case of faults that cannot be remedied using the table below please contact the customer service.

Accessories

Description	Part no.:	Description
Disk brush, red (medium, standard)	4.905-026.0	For the use with all common cleaning tasks.
Disk brush, natural (white)	4.905-027.0	Made of natural fibres for spot cleaning and polishing.
Disk brush, black (hard)	4.905-029.0	For heavy soiling and for deep cleaning. For robust floorings only.
Driver plate pad	4.762-534.0	For cleaning with pads. With quick change coupling and center lock.
Pad, red (medium soft)	6.369-079.0	For cleaning and cleaning of all floors.
Pad, green (medium hard)	6.369-078.0	For cleaning heavily soiled floors and for deep cleaning.
Pad, black (hard)	6.369-077.0	With stubborn soiling and for deep cleaning.
Pad, beige (light grain)	6.369-468.0	For polishing and refreshing of hard and flexible floorings.
Pad, beige (natural hair proportion)	6.371-146.0	
Suction bar, 850 mm, straight	4.777-401.0	
Suction bar, 850 mm, bent	4.777-411.0	
Set homebase box	4.035-406.0	
Mop holder	9.753-023.0	

Technical specifications

Power		
Nominal voltage	V	230
Average power consumption	W	1350
Rated power suction turbine	W	550
Rated power brush drive	W	800
Vacuuming		
Vacuum power, air volume (max.)	l/s	20
Vacuuming power, negative pressure (max.)	kPa (mbar)	14,0 (140)
Cleaning brushes		
Brush speed	1/min	140
Brush diameter	mm	510
Dimensions and weights		
Theoretical surface cleaning performance	m ² /h	2000
Max. working range incline	%	2
Fresh/waste water tank volume	l	62/62
Max. water temperature	°C	60
Ambient temperature	°C	5...40
Net weight (transport weight)	kg	60
Total weight (ready to operate)	kg	122
Values determined as per EN 60335-2-72		
Total oscillation value	m/s ²	<2,5
Uncertainty K	m/s ²	0,2
Sound pressure level L _{pA}	dB(A)	67
Uncertainty K _{pA}	dB(A)	2
Sound power level L _{WA} + Uncertainty K _{WA}	dB(A)	81

Spare parts

- Only use accessories and spare parts which have been approved by the manufacturer. The exclusive use of original accessories and original spare parts ensures that the appliance can be operated safely and trouble free.
- At the end of the operating instructions you will find a selected list of spare parts that are often required.
- For additional information about spare parts, please go to the Service section at www.kaercher.com.

EC Declaration of Conformity

We hereby declare that the machine described below complies with the relevant basic safety and health requirements of the EU Directives, both in its basic design and construction as well as in the version put into circulation by us. This declaration shall cease to be valid if the machine is modified without our prior approval.

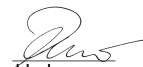
Product: Floor cleaner
Type: 1.127-xxx
 1.515-xxx


Relevant EU Directives
 2006/42/EC (+2009/127/EC)
 2004/108/EC

Applied harmonized standards
 EN 55012: 2007 + A1: 2009
 EN 60335-1
 EN 60335-2-72
 EN 61000-6-2: 2005
 EN 62233: 2008

Applied national standards
 -

The undersigned act on behalf and under the power of attorney of the company management.


 H. Jenner
 CEO


 S. Reiser
 Head of Approbation

Authorised Documentation Representative
 S. Reiser

Alfred Kärcher GmbH Co. KG
 Alfred-Kärcher-Str. 28 - 40
 71364 Winnenden (Germany)
 Phone: +49 7195 14-0
 Fax: +49 7195 14-2212

Winnenden, 2015/05/01


 Lire ce manuel d'utilisation original avant la première utilisation de votre appareil, le respecter et le conserver pour une utilisation ultérieure ou pour le futur propriétaire.

Table des matières

Consignes de sécurité	FR	1
Fonction	FR	1
Utilisation conforme	FR	1
Protection de l'environnement .	FR	1
Garantie	FR	1
Éléments de commande et de fonction	FR	2
Avant la mise en service	FR	3
Fonctionnement	FR	3
Arrêt et mise hors marche de l'appareil	FR	4
Transport	FR	4
Entreposage	FR	4
Entretien et maintenance	FR	4
Protection antigel	FR	5
Pannes	FR	5
Accessoires	FR	6
Caractéristiques techniques . .	FR	6
Pièces de rechange	FR	6
Déclaration de conformité CE .	FR	6

Consignes de sécurité

Lire le présent mode d'emploi ainsi que la brochure ci-jointe Consignes de sécurité pour les aspirateurs eau/poussières n° 5.956-251.0 avant d'utiliser l'appareil et respecter les instructions.

L'appareil ne peut être utilisé que si le capot et tous les couvercles sont fermés.

L'appareil doit uniquement être utilisé sur des surfaces qui ne dépassent pas la pente maximale autorisée ; cf. section "Données techniques".

AVERTISSEMENT

Ne pas utiliser l'appareil sur des plans inclinés.

Dispositifs de sécurité

Les dispositifs de sécurité ont pour but de protéger l'utilisateur et ils ne doivent donc jamais être désactivés ni évités.

Coupe-circuit

Lorsque le commutateur de sécurité est relâché, l'entraînement de la brosse s'arrête.

Niveaux de danger

DANGER

Signale la présence d'un danger imminent pouvant entraîner de graves blessures corporelles et même avoir une issue mortelle.

AVERTISSEMENT

Signale la présence d'une situation éventuellement dangereuse pouvant entraîner de graves blessures corporelles et même avoir une issue mortelle.

PRÉCAUTION

Remarque relative à une situation potentiellement dangereuse pouvant entraîner des blessures légères.

ATTENTION

Remarque relative à une situation éventuellement dangereuse pouvant entraîner des dommages matériels.

Fonction

Cette aspirateur à friction est mis en œuvre pour nettoyer des sols plans par voie humide.

– L'appareil peut être facilement adapté à la tâche de nettoyage par un réglage du débit d'eau et de la quantité de détergent.

Le dosage du détergent est ajustable lors de l'ajout dans le réservoir.

– L'appareil dispose d'un réservoir d'eau propre et un réservoir d'eau sale (chacun d'une contenance de 60 litres).

Cela garantit un nettoyage efficace pendant une longue durée d'utilisation.

– Une largeur de travail de 500 mm permet une exécution effective en cas d'une haute durée de travail.

– L'avance se fait en poussant à la main et est soutenue par la rotation des brosses.

– Un fonctionnement par courant permet d'obtenir une capacité élevée sans limitation de la durée de travail.

Remarque :

L'appareil peut être équipé de différents accessoires en fonction de l'application respective.

De plus amples détails figurent dans notre catalogue ou sur notre site Internet www.kaercher.com.

Utilisation conforme

L'utilisation de l'appareil doit être faite en conformité avec les consignes figurant dans les instructions de service.

– L'appareil doit uniquement être utilisé pour nettoyer des surfaces planes non sensibles à l'humidité ni au polissage.

– L'appareil n'est pas approprié pour nettoyer des sols gelés (par exemple dans des entrepôts frigorifiques)

– L'appareil doit uniquement être équipé d'accessoires et de pièces de rechange d'origine.

– L'appareil n'est pas approprié pour l'application dans des environnements à risque d'explosion.

– Ne pas aspirer avec l'appareil des gazes combustibles, acides ou solvants non dilués.

Ces-ci sont essence, dilutif de couleurs ou fuel, qui peuvent former des mélanges explosives en touillant avec l'air d'aspiration. Ne pas utiliser d'acétone, d'acides ou de solvants non dilués, du fait de leur effet corrosif sur les matériaux constituant l'appareil.

– L'appareil n'est autorisé au fonctionnement que sur des surfaces ayant la pente maximale indiquée dans les « Caractéristiques techniques ».

Protection de l'environnement



Les matériaux constitutifs de l'emballage sont recyclables. Ne pas jeter les emballages dans les ordures ménagères, mais les remettre à un système de recyclage.



Les appareils usés contiennent des matériaux précieux recyclables lesquels doivent être apportés à un système de recyclage. Pour cette raison, utilisez des systèmes de collecte adéquats afin d'éliminer les appareils usés.

Instructions relatives aux ingrédients (REACH)

Les informations actuelles relatives aux ingrédients se trouvent sous :

www.kaercher.de/REACH

Garantie

Dans chaque pays, les conditions de garantie en vigueur sont celles publiées par notre société de distribution responsable. Les éventuelles pannes sur les accessoires sont réparées gratuitement dans le délai de validité de la garantie, dans la mesure où celles-ci relèvent d'un défaut matériel ou d'un vice de fabrication. En cas de recours en garantie, adressez-vous à votre revendeur ou au service après-vente agréé le plus proche munis de votre preuve d'achat.