

## **Spare parts list**

(1.629-680.0) WD 3.500 P \*EU-I

## Table of contents

---

WD 3.500 P *EU-I (1.629-680.0)	3
Spare parts list WD 3.500 (5.971-109.0)	4
10 Appliance individual parts	5
20 Tank	7
30 Accessories	9
4 Floor tool DN35 (4.629-007.0)	11
15 Vacuum kit for power tools WD 2St. (2.863-112.0)	12

WD 3.500 P \*EU-I (1.629-680.0)

---

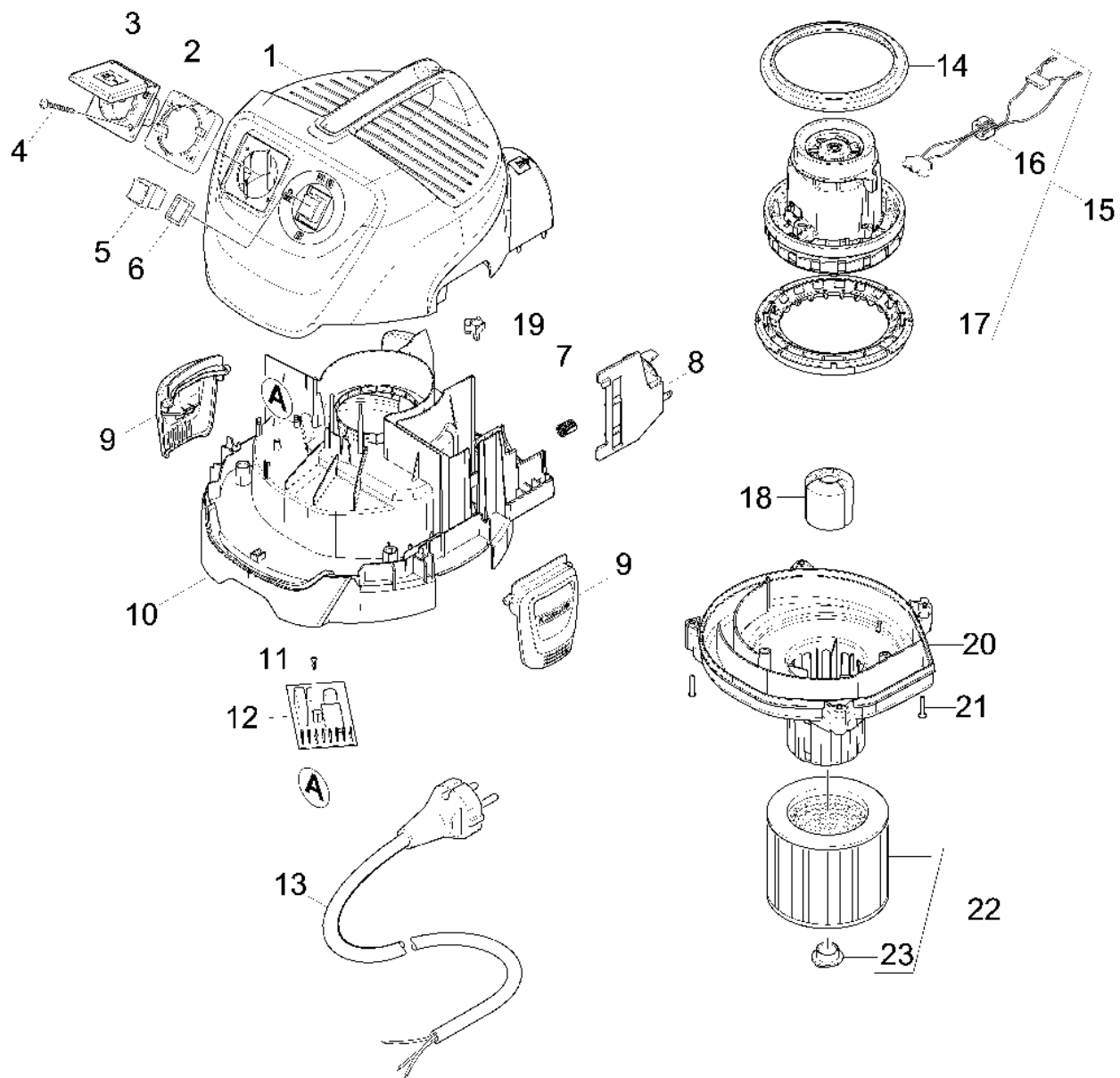
POS	Article no.	Description	Quantity	Unit
0	5.971-109.0	Spare parts list WD 3.500	1	PC
	Item text2: 12931010			

---

Spare parts list WD 3.500 (5.971-109.0)

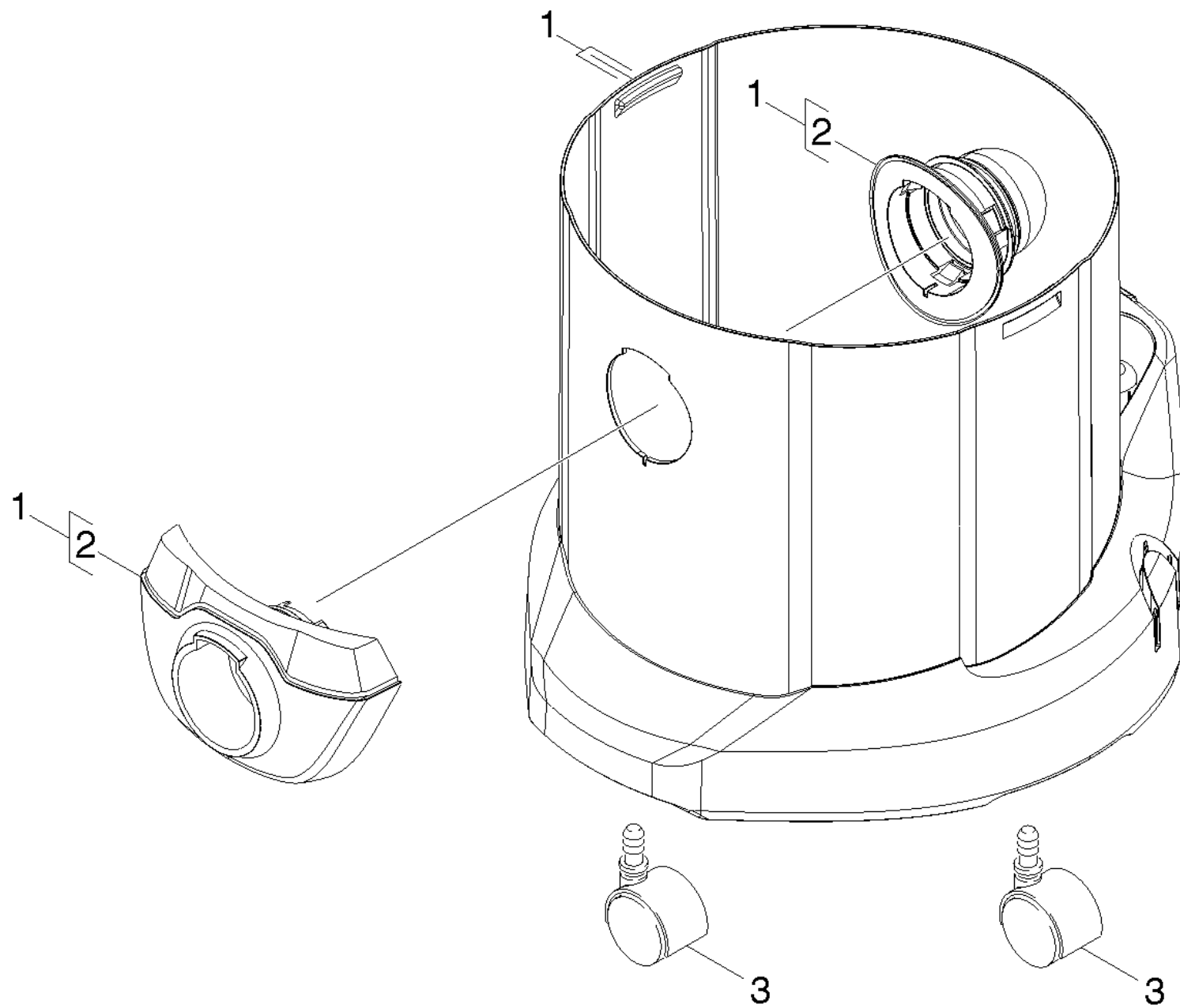
---

<b>POS</b>	<b>Description</b>	<b>Quantity</b>	<b>Unit</b>
10	Appliance individual parts	1	PC
20	Tank	1	PC
30	Accessories	1	PC



## 10 Appliance individual parts

POS	Article no.	Description	Quantity	Unit	Remark
1	7.777-999.0	Stockpiling discontinued	1	PC	
2	9.037-001.0	Frame PT	1	PC	
3	6.646-561.0	Plug socket *EU	1	PC	
	<b>Item text1:</b> 1.629-680.0 / -681.0 / -685.0				
3	6.646-563.0	Plug socket *GB	1	PC	
	<b>Item text1:</b> 1.629-683.0 / -684.0				
3	6.649-825.0	Plug socket *F *B	1	PC	
	<b>Item text1:</b> 1.629-682.0				
4	6.633-534.0	Oval head screw with Kombi-Torx 3x18	1	PC	
5	6.630-090.0	Switch 2-level	1	PC	
6	9.048-077.0	Seal switch TE	1	PC	
7	5.332-997.0	Helical spring	1	PC	
8	5.640-363.0	Slider	1	PC	
9	5.075-037.3	Closure	2	PC	
10	5.053-183.0	Motor bracket	1	PC	
11	6.303-557.0	Screw 3x12 Kombitorx T8	1	PC	
12	6.683-021.0	Electronics NT Good	1	PC	
13	6.649-181.0	Cable with plug *GB	1	PC	*GB
13	9.084-252.0	Cable 6,5m 3G1,5 mm *EU	1	PC	*EU / *RU
14	9.079-024.0	Seal motor above	1	PC	
15	4.624-025.0	Vacuum motor complete für Ersatz 1200W	1	PC	
16	4.649-075.0	Cable ferrite ring complete	1	PC	
17	5.731-657.0	Bearing turbine new CER	1	PC	
18	5.628-013.0	Float	1	PC	
19	5.034-736.0	Retaining bracket cable	1	PC	
20	5.731-646.0	Filter cage	1	PC	
21	7.303-096.0	Screw 4x22-ST-10.9-R2R (IN6RD)	6	PC	
22	2.863-303.0	Cartridge filter WD/SE	1	PC	
23	4.075-012.0	Closure complete	1	PC	



## 20 Tank

---

<b>POS</b>	<b>Article no.</b>	<b>Description</b>	<b>Quantity</b>	<b>Unit</b>
1	4.070-786.0	Tank complete	1	PC
2	2.885-200.0	Spare part set suction connection	1	PC
3	6.435-353.0	Castor D 42	4	PC





## 30 Accessories

POS	Article no.	Description	Quantity	Unit	Remark
1	9.012-109.0	Suction hose complete DN35x2	1	PC	(2m)
2	6.900-385.0	Crevice nozzle DN35	1	PC	
3	2.863-308.0	Extension suction tube WD ID 35	2	PC	
4	4.629-007.0	Floor tool DN35	1	PC	
5	4.629-005.0	Insert dry	1	PC	
5	4.629-006.0	Insert nass	1	PC	
8	2.863-314.0	Filter bag fleece WD 2 Plus/WD 3/SE 4St	1	PC	
10	4.440-930.0	Suction hose complete	1	PC	(4m)
11	6.390-876.0	Extension hose	1	PC	
12	2.863-316.0	Car nozzle	1	PC	
13	2.863-306.0	Crevice nozzle extra long WD	1	PC	
14	2.863-221.0	Suction brush kit WD 2pc.	1	PC	
15	2.863-112.0	Vacuum kit for power tools WD 2St.	1	PC	

4 Floor tool DN35 (4.629-007.0)

---

POS	Article no.	Description	Quantity	Unit
10	5.629-014.0	Clip	1	PC

---

15 Vacuum kit for power tools WD 2St. (2.863-112.0)

---

<b>POS</b>	<b>Article no.</b>	<b>Description</b>	<b>Quantity</b>	<b>Unit</b>
10	9.048-061.0	Connecting sleeve	1	PC

---