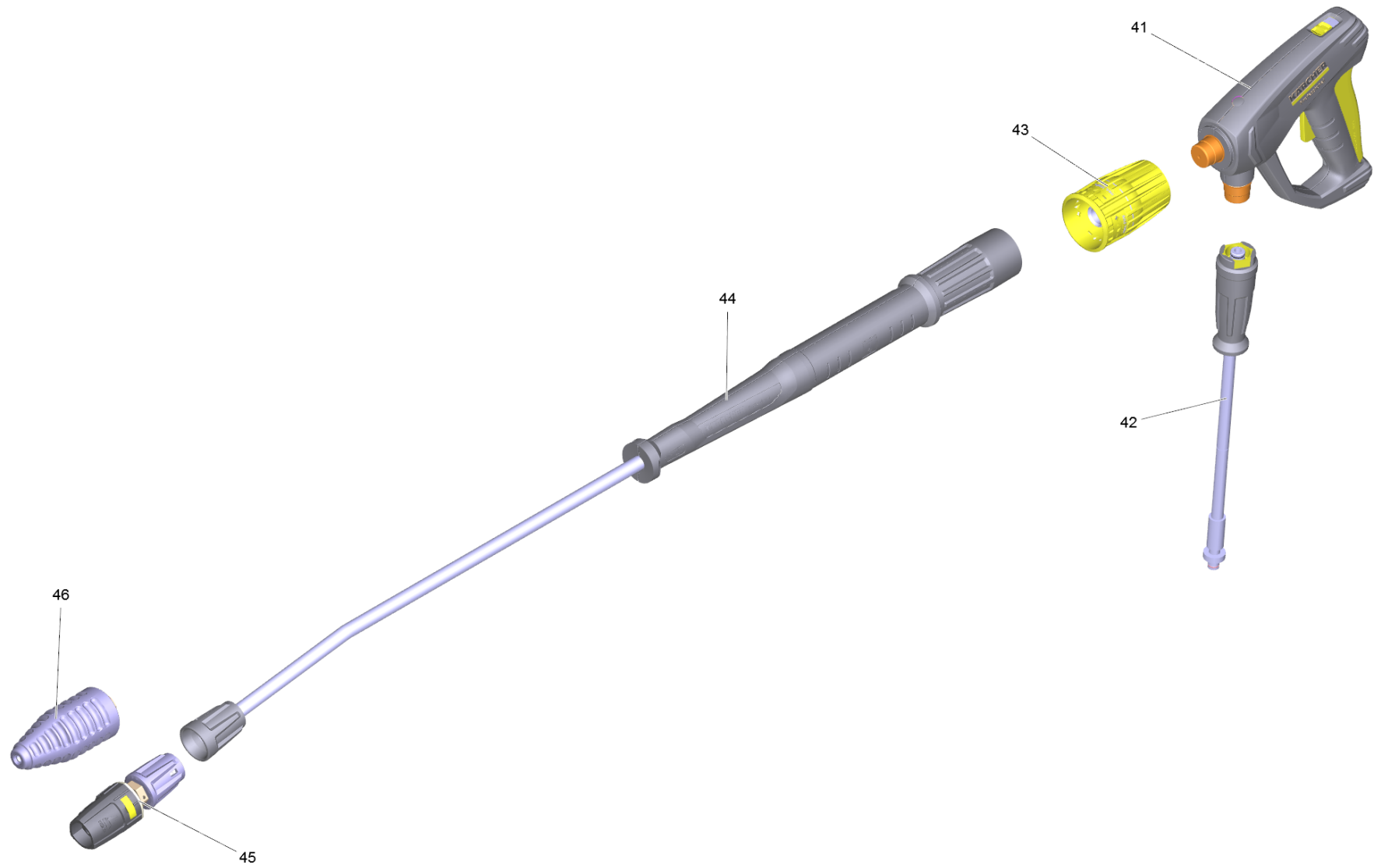


40 Accessories

Professional \ High pressure cleaner cold water \ Electric motor \ HD 7/18 CX Plus *EU-I \ Spare parts list high-pressure 7/18 CX P \ Accessories

KÄRCHER



40 Accessories

Professional \ High pressure cleaner cold water \ Electric motor \ HD 7/18 CX Plus *EU-I \ Spare parts list high-pressure 7/18 CX P \ Accessories

The KÄRCHER logo is displayed in a bold, black, sans-serif font. The letter 'A' is stylized with a horizontal bar through its center. Below the text is a solid yellow horizontal bar.

POS	Article no.	Description	Quantity	Unit
46	4.114-021.0	Dirt blaster TR 045 LowEnd	1.000	ST
41	4.118-005.0	EASY!Force Advanced	1.000	ST
42	6.110-036.0	Hose assembly TR DN6 25MPa 15m	1.000	ST
44	4.112-006.0	Jet pipe TR 840 mm	1.000	ST
43	4.118-007.0	Rotary controller TR 270L	1.000	ST
45	4.117-034.0	Triple jet nozzle TR 042	1.000	ST