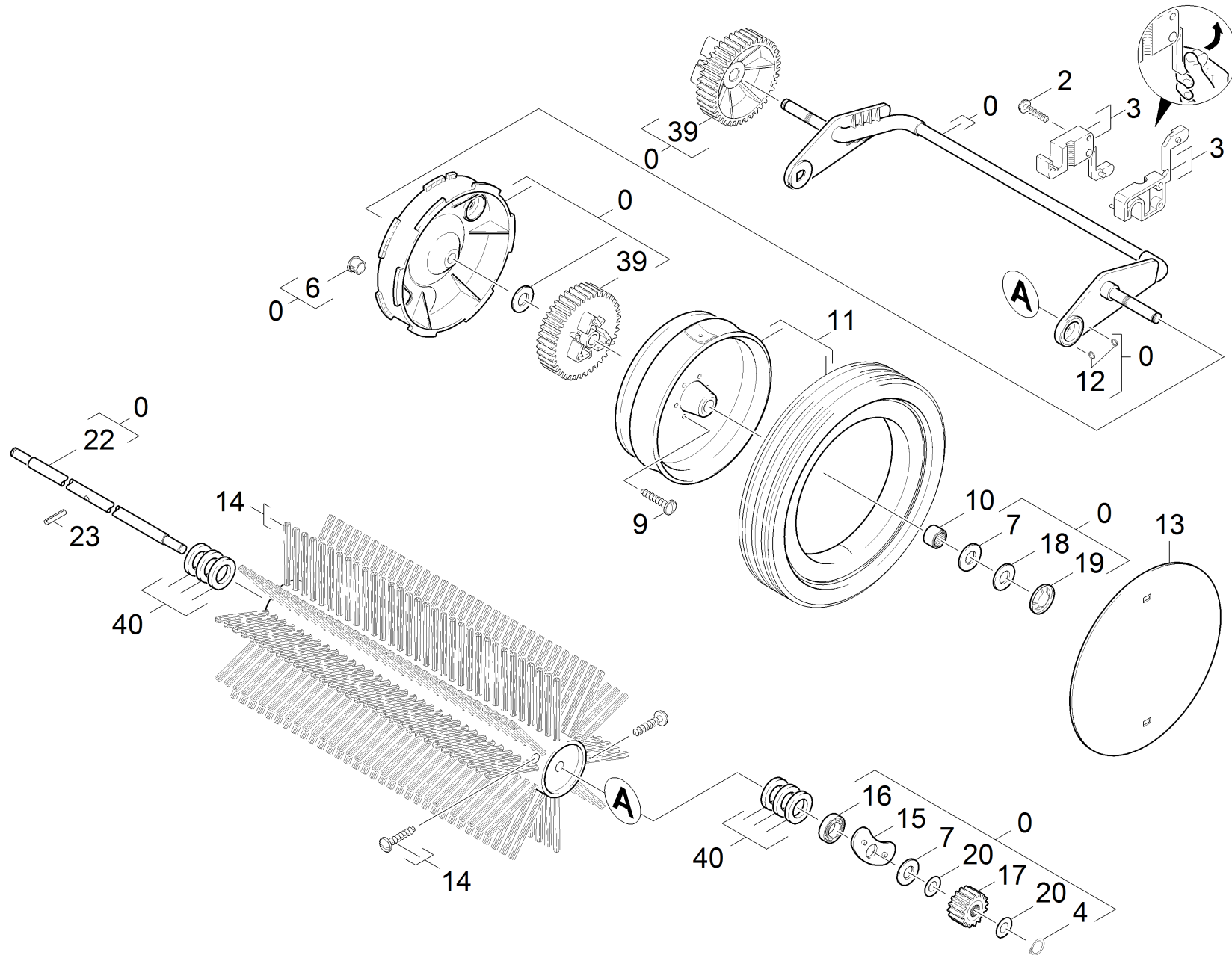


10 Brush and transmission

Professional \ Sweepers \ Manually operated \ KM 700 S *EU \ Spare parts list KM 700 S \ Brush and transmission



10 Brush and transmission

Professional \ Sweepers \ Manually operated \ KM 700 S *EU \ Spare parts list KM 700 S \ Brush and transmission



POS	Article no.	Description	Quantity	Unit	Foot note text
16	6.401-363.0	Ball bearing	4.000	ST	
0	2.882-433.0	Conversion kit KM 700 => KM700S	1.000	ST	
13	5.063-468.0	Cover wheel	2.000	ST	
6	6.368-075.0	Drain plug	2.000	ST	
15	6.365-360.0	Gasket disc	2.000	ST	
39	5.120-322.0	Hub optimiert	2.000	ST	
4	7.343-302.0	Lock washer 8 -St-ph DIN 6799	2.000	ST	
3	5.030-792.0	Moulded part	2.000	ST	
12	6.362-366.0	O-Ring seal 4,0 X 2,0	4.000	ST	
17	4.352-012.0	Pinion with sprag clutch	2.000	ST	STEEL
10	6.403-006.0	Plain bearing	2.000	ST	
19	6.343-180.0	Quick-fastener	2.000	ST	
14	6.906-041.0	Reversing rolling mill	1.000	ST	
2	7.303-109.0	Screw 5x25 -10.9-R2R (In6Rd)	2.000	ST	
9	7.303-112.0	Screw 6x20 -10.9-R2R (In6Rd)	6.000	ST	
22	5.100-243.0	Shaft	1.000	ST	
23	7.314-974.0	Spring pin 6x30-St ISO 8752	1.000	ST	
40	7.777-999.0	Stockpiling discontinued	6.000	ST	
	Item text1: / 1.917-152.0				
20	7.343-210.0	Supporting disk S 10x16 -FSt DIN 988	4.000	ST	
7	5.115-628.0	Washer	4.000	ST	
18	6.403-029.0	Washer	2.000	ST	
11	4.515-017.0	Wheel	2.000	ST	