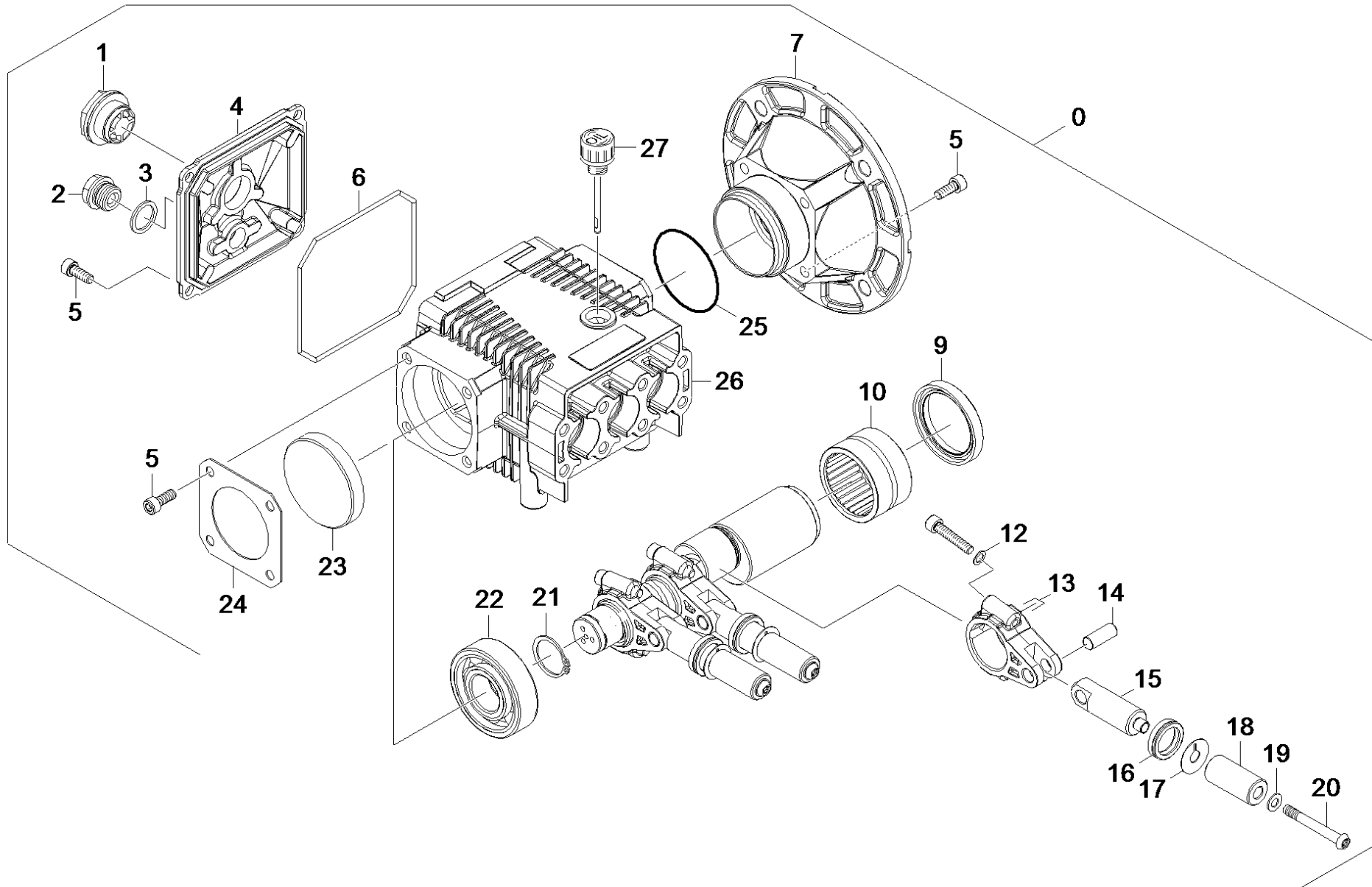


## 22 Transmission

Professional \ High pressure cleaner cold water \ Electric motor \ HD 9/20-4 \*KAP \ Spare parts list HD 9/20-4 \ Pump set \ Transmission



## 22 Transmission

Professional \ High pressure cleaner cold water \ Electric motor \ HD 9/20-4 \*KAP \ Spare parts list HD 9/20-4 \ Pump set \ Transmission

**KÄRCHER**

POS	Article no.	Description	Quantity	Unit
15	9.761-279.0	Connecting rod	3	PC
23	9.761-118.0	Covering cap bearing	1	PC
4	9.761-120.0	Cover worked	1	PC
5	7.306-020.0	Cylinder head screw M6x16-8.8-A2E DIN 912	12	PC
2	9.761-057.0	Drain plug G 3/8"	1	PC
7	9.761-140.0	Flange worked	1	PC
16	6.365-334.0	Grooved ring 18X26X6/8	3	PC
26	9.761-278.0	Housing worked	1	PC
19	9.761-177.0	Joint ring	3	PC
3	9.761-007.0	Joint ring G 3/8"	1	PC
9	9.761-137.0	Joint ring W 42x55x8	1	PC
21	7.343-008.0	Locking ring 25x1,2-St-vz DIN 471	1	PC
12	9.761-207.0	Lock washer	6	PC
10	9.761-138.0	Needle bearing	1	PC
6	9.761-081.0	O-Ring seal D 2.62x107	1	PC
25	9.761-180.0	O-Ring seal D 55.56x3.55	1	PC
1	9.761-093.0	Oil inspection glass G3/4"	1	PC
27	9.761-022.0	Oil level gauge G 3/8"	1	PC
20	9.761-174.0	Pan head screw with Scotchgrip	3	PC
14	9.761-077.0	Pin	3	PC
13	9.751-008.0	Piston rod complete	3	PC
24	9.761-073.0	Plate covering cap	1	PC
0	9.751-078.0	Pump set only for replacement HD 9/20	1	PC
22	7.401-353.0	Roller bearing NUP 305-Waelz.St. DIN 541	1	PC
18	9.761-071.0	Sleeve D 18	3	PC
17	9.761-078.0	Washer D 9.3 x 24	3	PC