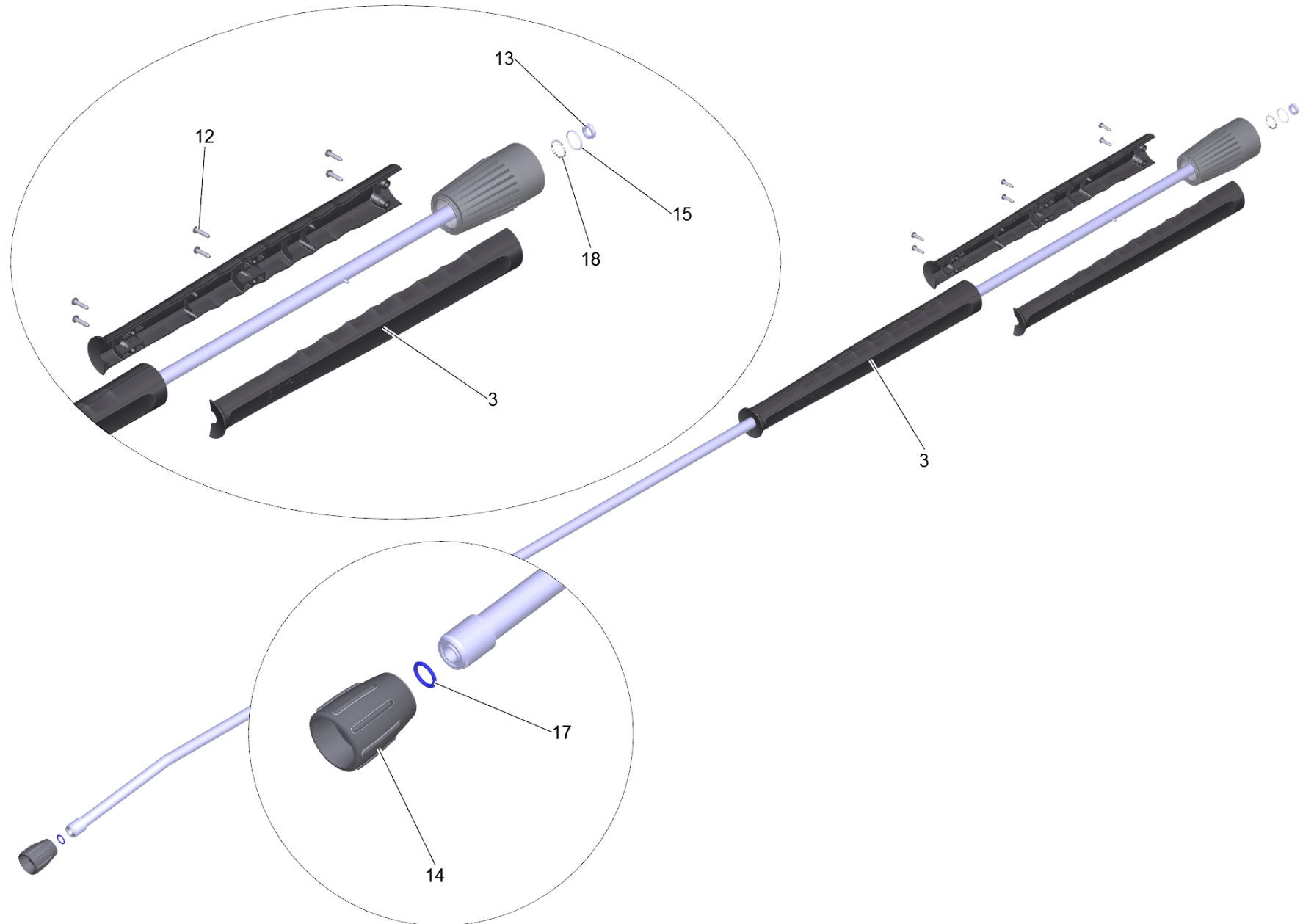


2 Jet pipe packaged only for replacement (4.760-662.0)

Professional \ Industrial cleaning systems \ High pressure cleaner stationary \ HD 2000 E \ Documentation HD 2000E \ Spare parts list HD 2000E/2000C \ Jet pipe \ Jet pipe \ Jet pipe packaged only for replacement



2 Jet pipe packaged only for replacement (4.760-662.0)

Professional \ Industrial cleaning systems \ High pressure cleaner stationary \ HD 2000 E \ Documentation HD 2000E \ Spare parts list HD 2000E/2000C \ Jet pipe \ Jet pipe \ Jet pipe packaged only for replacement

KÄRCHER

POS	Article no.	Description	Quantity	Unit
3	5.321-855.0	Handhold few jet pipe with welding bolt	2.000	ST
12	7.303-129.0	Screw 4x16 -10.9-R2R (K-In6Rd)	12.000	ST
13	4.363-692.0	Grooved ring kpl. -nur fuer Ersatz-	1.000	ST
14	5.401-210.0	Screw connector part	1.000	ST
15	6.362-524.0	O-Ring seal 17,0 X 1,5	1.000	ST
17	7.362-501.0	O-Ring seal 10x2 EPDM 70 DIN 3770	1.000	ST
18	7.401-915.0	Sphere 2,5 G40 -1.4034 DIN 5401	20.000	ST