

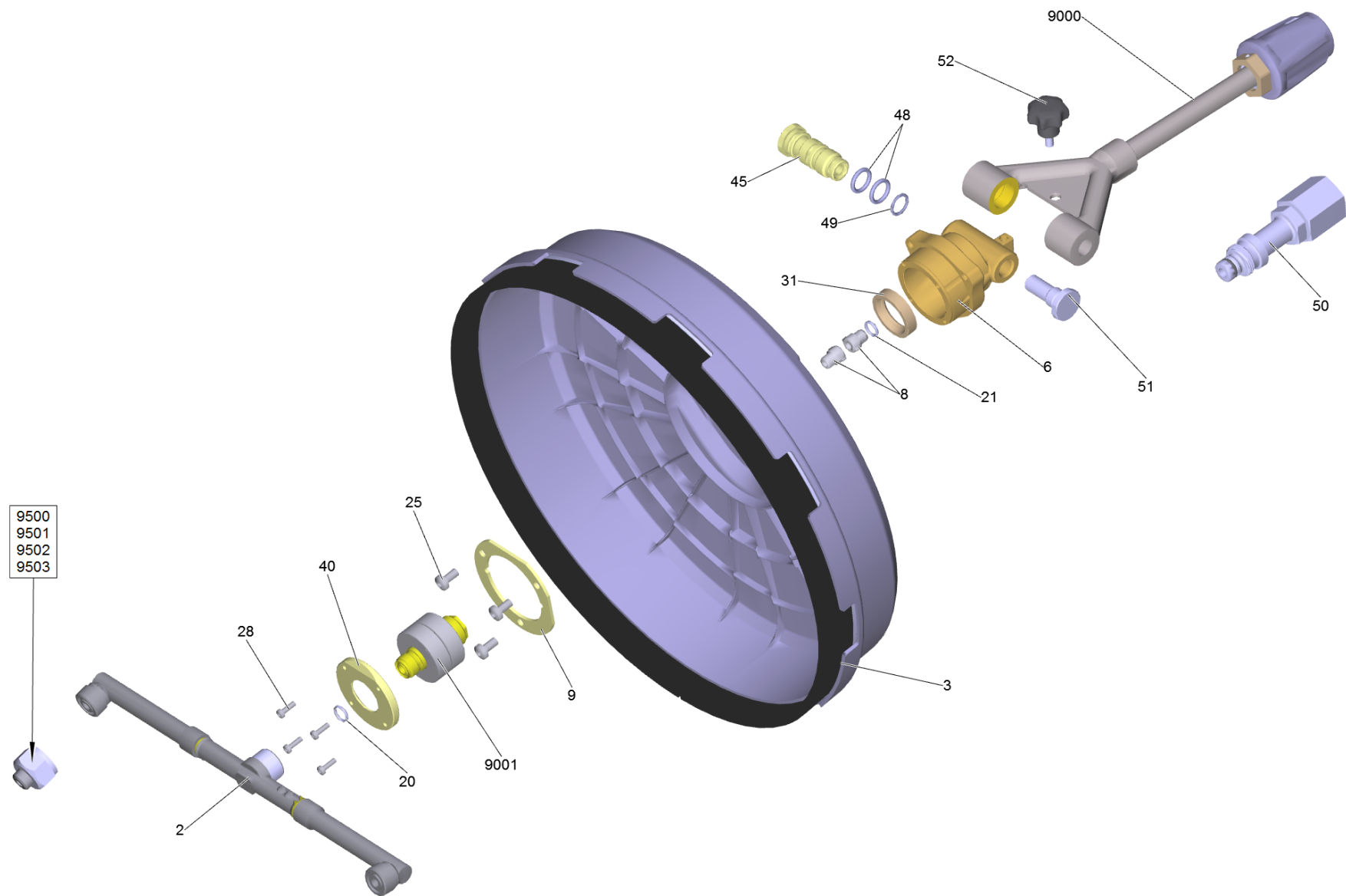
Spare parts list (2.111-011.0) FR TR 30

Table of contents

FR TR 30 (2.111-011.0)	3
35 Spare parts list FR TR 30 (5.973-836.0)	4
3 Cover complete FR 30 (4.066-428.0)	6
50 Screw union TR FR TR22-TR20 (4.111-022.0)	8
9001 Bearing complete (4.250-078.0)	10
9500 Nozzle pack 014/400-450l/h (2.641-457.0)	12
9501 Nozzle pack 018 (2.640-482.0)	14
9502 Nozzle pack 020-500-650 l/h (2.640-401.0)	16
9503 Nozzle pack 025 (2.639-187.0)	18

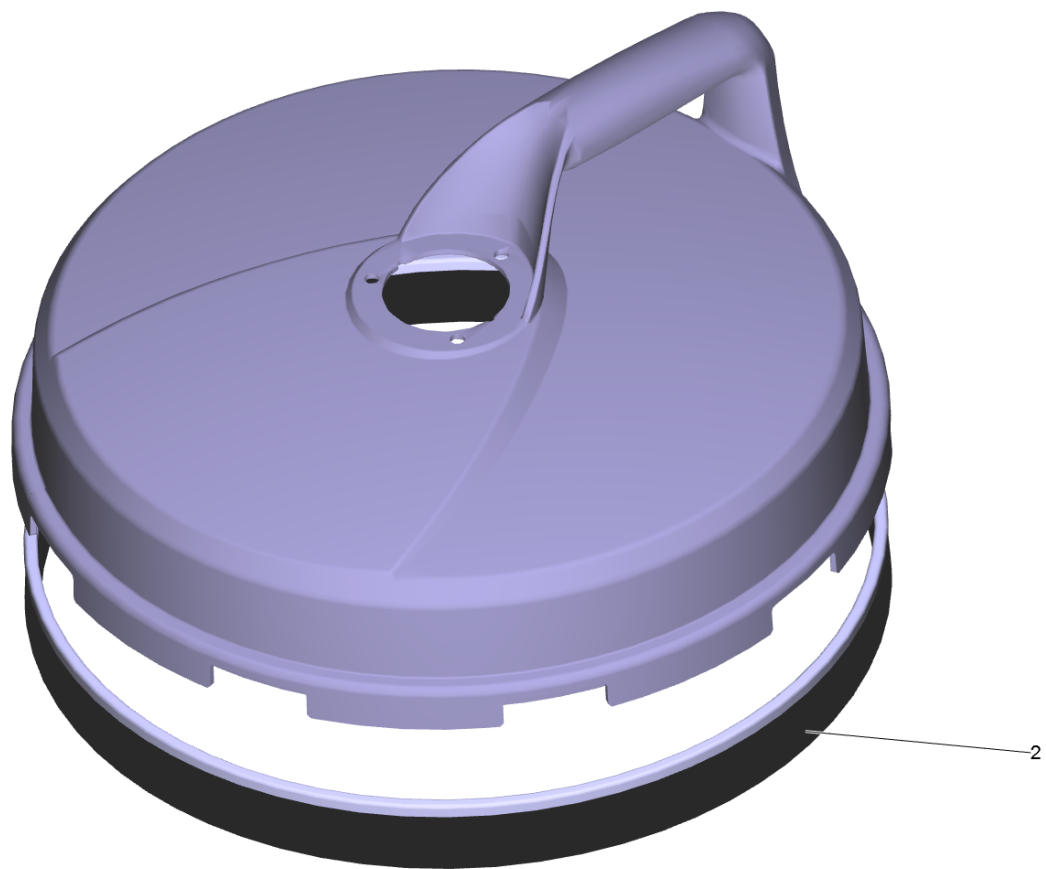
FR TR 30 (2.111-011.0)

POS	Article no.	Description	Quantity	Unit
35	5.973-836.0	Spare parts list FR TR 30	1.000	ST



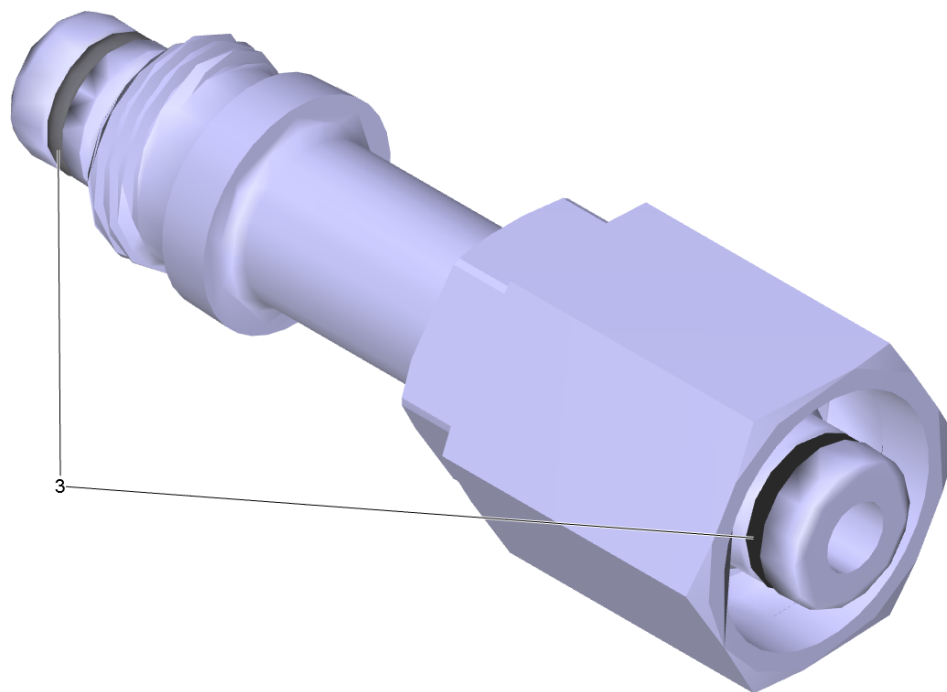
35 Spare parts list FR TR 30 (5.973-836.0)

POS	Article no.	Description	Quantity	Unit
9000	4.802-013.0	Angle joint TR	1.000	ST
6	5.481-405.0	Base body FR 30	1.000	ST
9001	4.250-078.0	Bearing complete	1.000	ST
3	4.066-428.0	Cover complete FR 30	1.000	ST
9	5.122-003.0	Flange	1.000	ST
40	5.122-478.0	Flange	1.000	ST
2	4.764-154.0	Nozzle holder	1.000	ST
9500	2.641-457.0	Nozzle pack 014/400-450l/h	1.000	ST
9501	2.640-482.0	Nozzle pack 018	1.000	ST
9502	2.640-401.0	Nozzle pack 020-500-650 l/h	1.000	ST
9503	2.639-187.0	Nozzle pack 025	1.000	ST
49	6.363-142.0	O-Ring 10x1.5N BR 90	1.000	ST
21	6.362-658.0	O-Ring seal 7 X 1,5-NBR 90	1.000	ST
20	6.362-388.0	O-Ring seal 8,0x1,5 -EPDM 70	1.000	ST
48	6.363-280.0	O-Ring seal 12,0 x 2,0-NBR 90	2.000	ST
31	7.367-000.0	Radial shaft seal ring A20x30x7-NBR DIN	1.000	ST
28	7.306-204.0	Screw M 3X 10-A2-70 (IN6RD)	4.000	ST
25	7.306-181.0	Screw M 5x 12-A2-70 (In6Rd)	3.000	ST
50	4.111-022.0	Screw union TR FR TR22-TR20	1.000	ST
45	5.100-496.0	Shaft	1.000	ST
51	5.100-501.0	Shaft	1.000	ST
8	5.111-322.0	Sleeve	2.000	ST
52	6.321-196.0	Star grip M5x10	1.000	ST



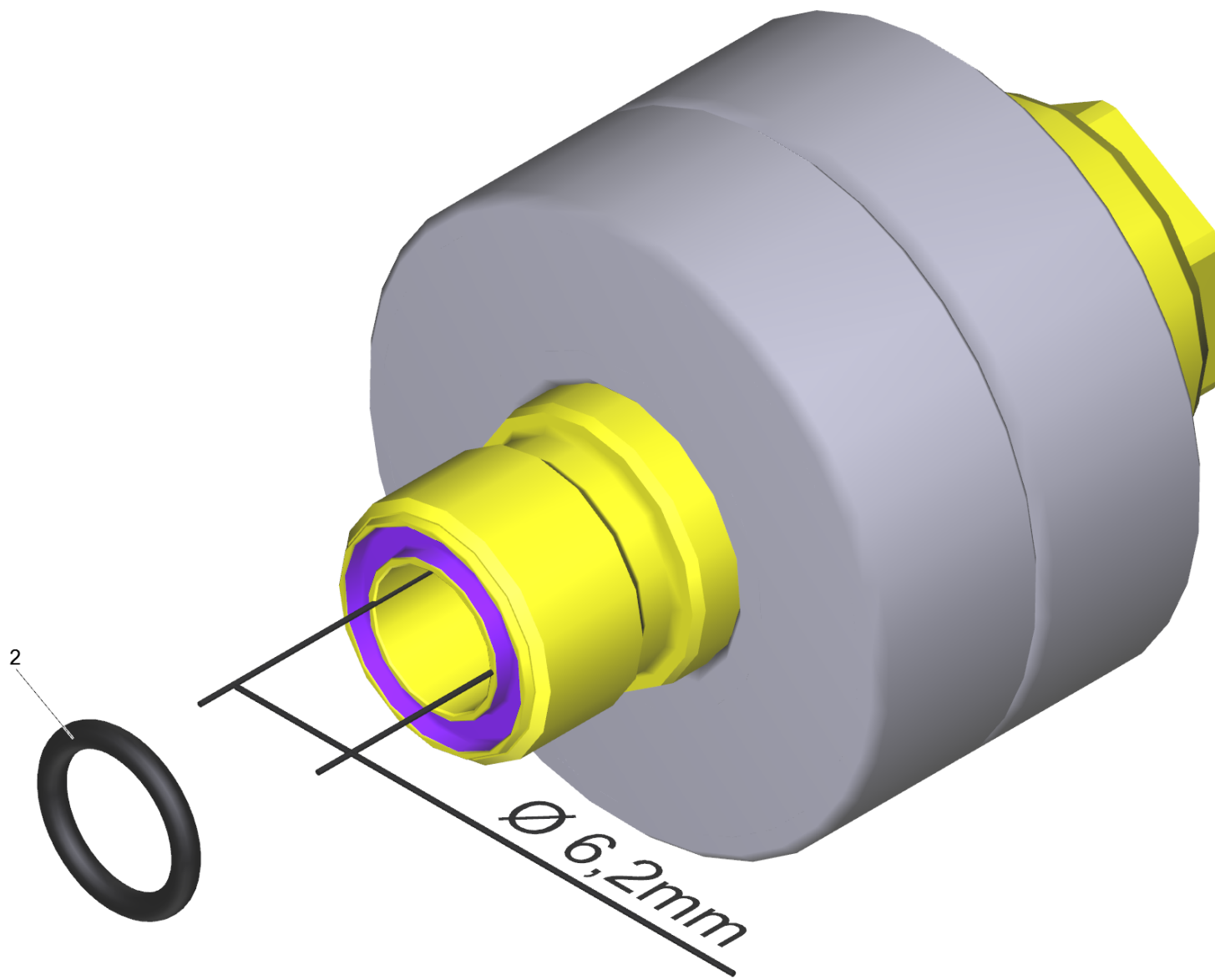
3 Cover complete FR 30 (4.066-428.0)

POS	Article no.	Description	Quantity	Unit
2	6.371-051.0	Brush-corona FR 28	1.000	ST



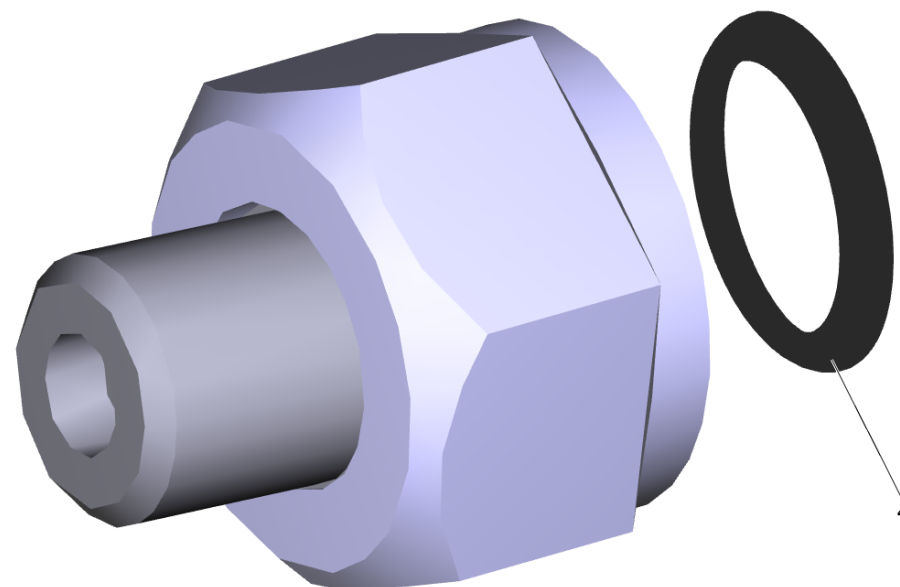
50 Screw union TR FR TR22-TR20 (4.111-022.0)

POS	Article no.	Description	Quantity	Unit
3	2.880-001.0	Spare part set seals TR	1.000	ST



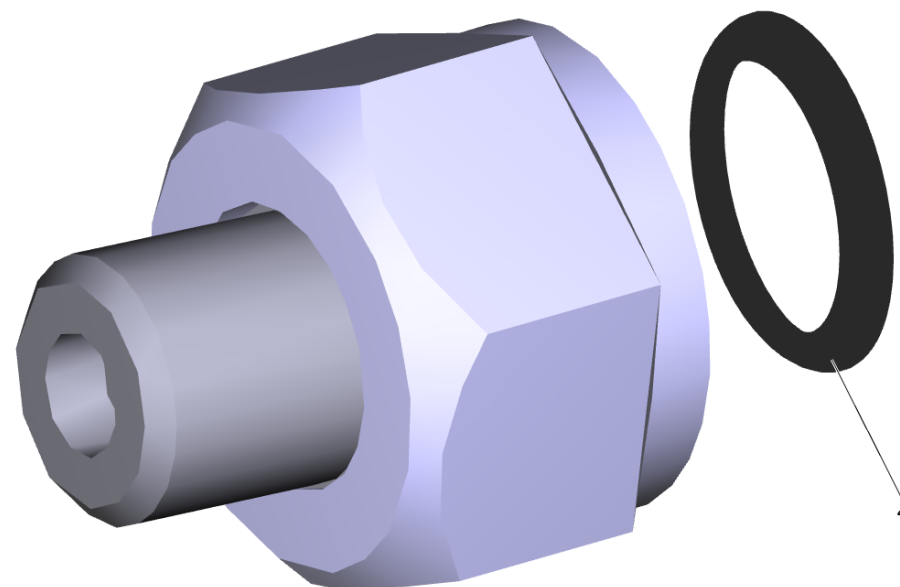
9001 Bearing complete (4.250-078.0)

POS	Article no.	Description	Quantity	Unit
2	6.362-658.0	O-Ring seal 7 X 1,5-NBR 90	1.000	ST



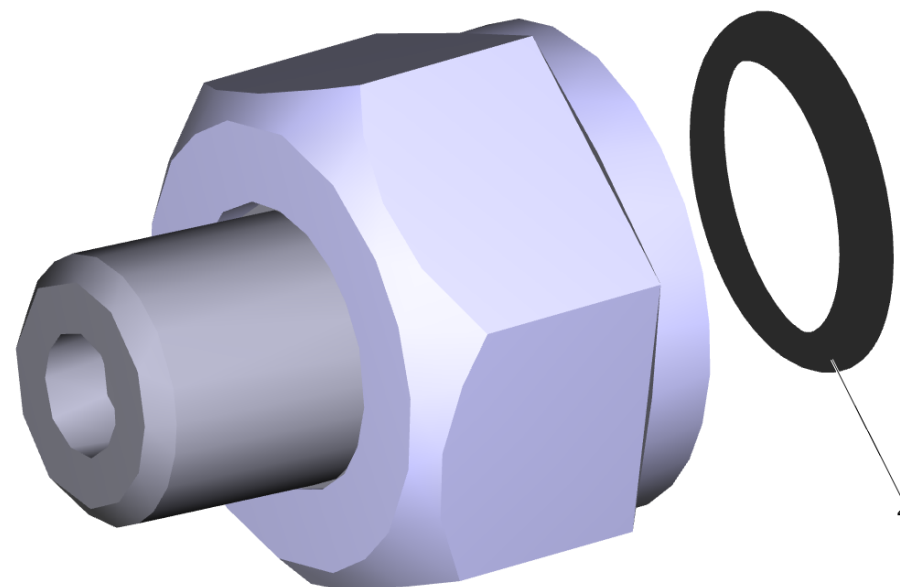
9500 Nozzle pack 014/400-450l/h (2.641-457.0)

POS	Article no.	Description	Quantity	Unit
4	2.880-154.0	O-Ring kit	1.000	ST



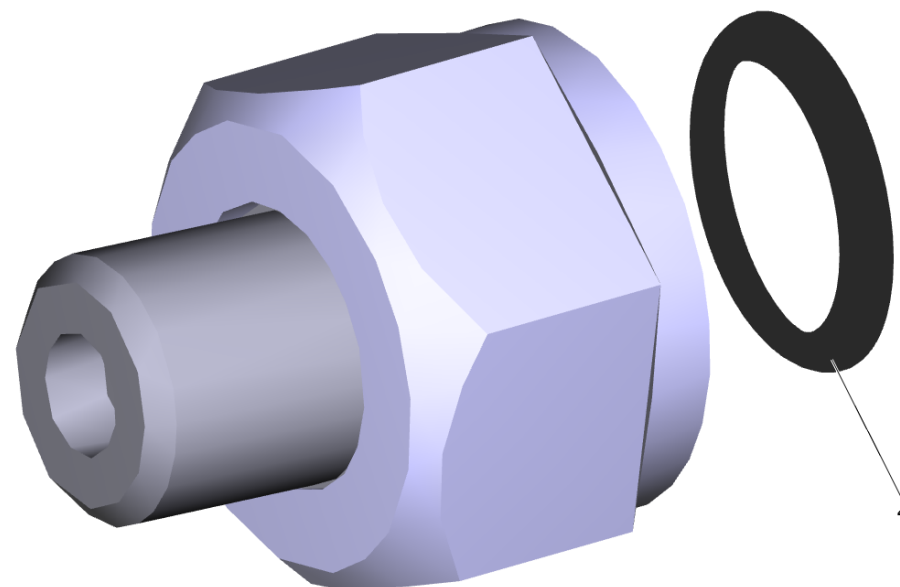
9501 Nozzle pack 018 (2.640-482.0)

POS	Article no.	Description	Quantity	Unit
4	2.880-154.0	O-Ring kit	1.000	ST



9502 Nozzle pack 020-500-650 l/h (2.640-401.0)

POS	Article no.	Description	Quantity	Unit
4	2.880-154.0	O-Ring kit	1.000	ST



9503 Nozzle pack 025 (2.639-187.0)

POS	Article no.	Description	Quantity	Unit
4	2.880-154.0	O-Ring kit	1.000	ST