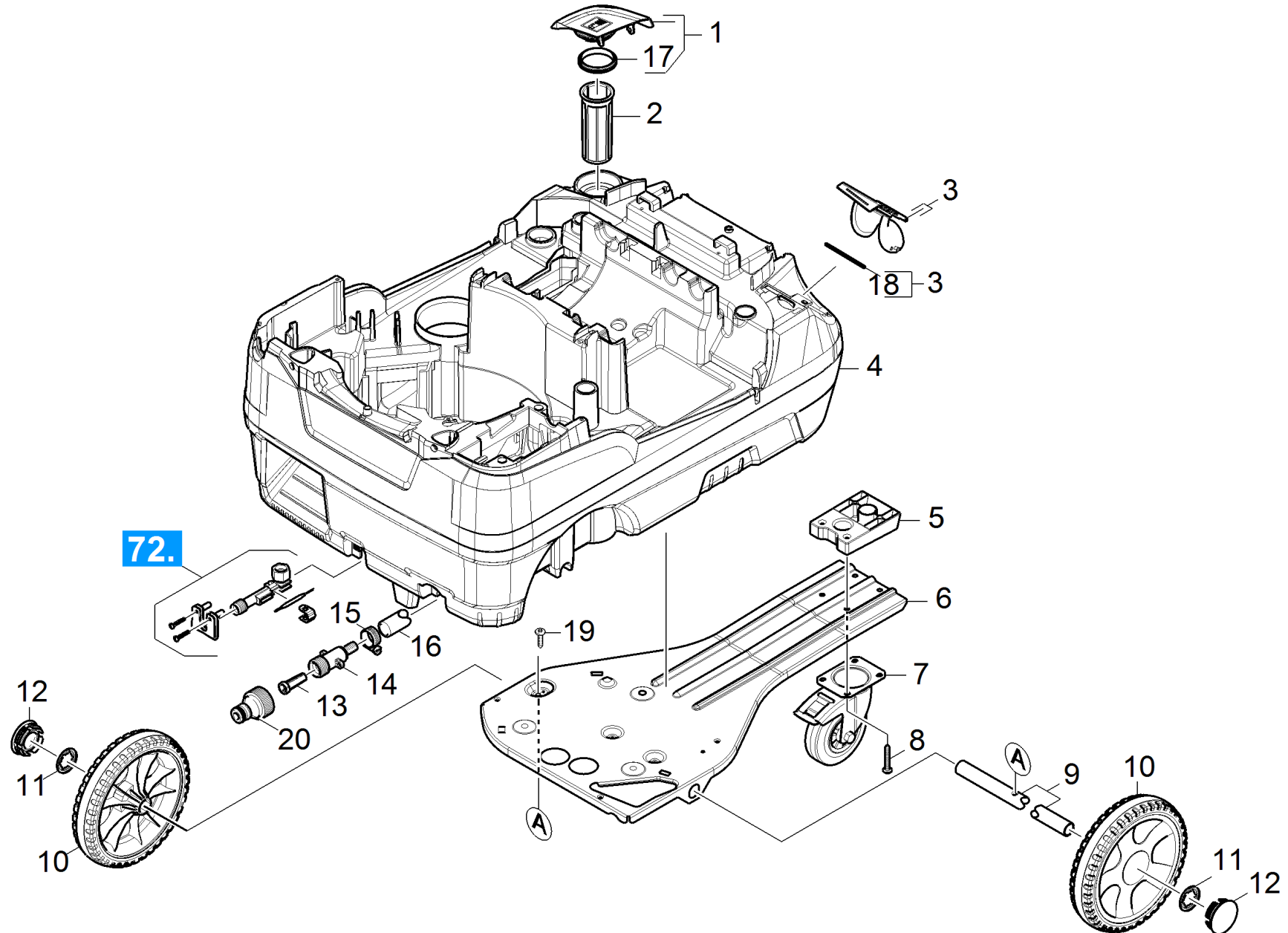


12 Housing bottom part

Professional \ High pressure cleaner hotwater \ Electric motor \ HDS 8/17 C *EU-II \ Spare parts list HDS 8/17 C *EU-II \ Housing \ Housing bottom part



12 Housing bottom part

Professional \ High pressure cleaner hotwater \ Electric motor \ HDS 8/17 C *EU-II \ Spare parts list HDS 8/17 C *EU-II \ Housing \ Housing bottom part

KÄRCHER

POS	Article no.	Description	Quantity	Unit	Foot note text
1	4.064-021.0	Cover fuel complete	1.000	ST	
2	5.731-039.0	Filter	1.000	ST	
3	4.064-029.0	Cover complete only for replacement	1.000	ST	
4	4.051-201.0	Base frame complete only for replacement	1.000	ST	
5	5.424-159.0	Fixing castor	1.000	ST	
6	5.051-199.0	Base plate	1.000	ST	
7	6.435-826.0	Castor D 125	1.000	ST	
8	7.303-275.0	Screw 8x50 -10.9-A3E (In6Rd)	4.000	ST	
9	5.105-651.0	Axle	1.000	ST	
10	4.515-343.0	Wheel complete	2.000	ST	
11	6.343-162.0	Lock washer -25	2.000	ST	
12	2.889-086.0	Set wheel cap	1.000	ST	SATZ MIT 2 STUECK
13	6.414-141.0	Strainer	1.000	ST	
14	5.427-432.0	Manifold	1.000	ST	
15	7.373-022.0	Hose clip A-16-27x9 -W2-2 DIN3017	1.000	ST	
16	6.388-719.0	Hose DN17	1.000	M	ALS METERWARE BESTELLEN
17	5.363-300.0	Joint ring	1.000	ST	
18	6.363-564.0	O-Ring seal 65x4 NBR	1.000	ST	
19	7.303-067.0	Screw M8x16-ST-R3R (IN6RD)	1.000	ST	
20	2.640-492.0	Set water connection 1 "	1.000	ST	