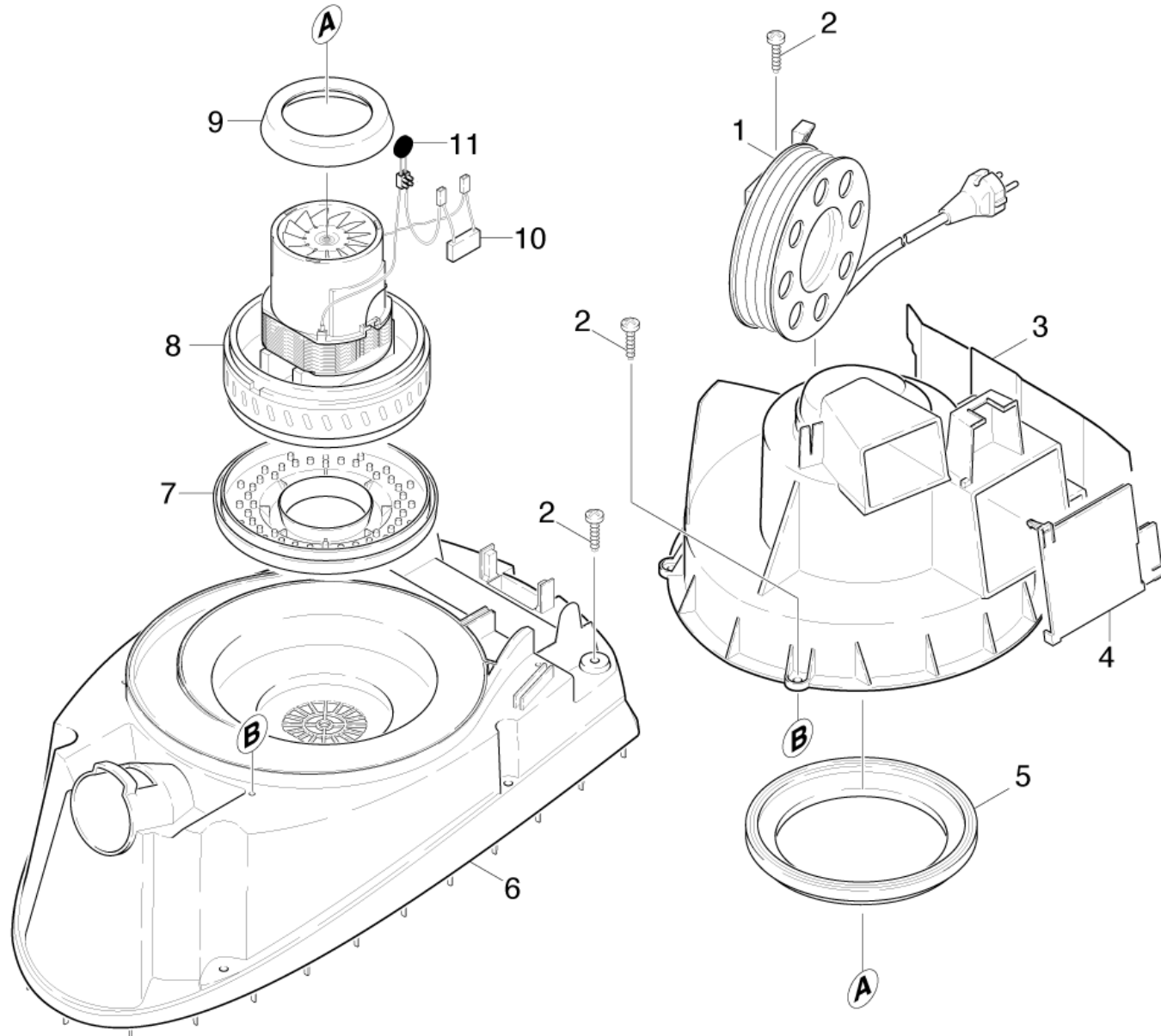


20 Motor

Home and Garden \ Vacuum cleaner \ Dry vacuum cleaner \ DS 5500 *EU \ Spare parts list K 5500 \ Motor



20 Motor

Home and Garden \ Vacuum cleaner \ Dry vacuum cleaner \ DS 5500 *EU \ Spare parts list K 5500 \ Motor

KÄRCHER

POS	Article no.	Description	Quantity	Unit
1	6.649-128.0	Cable automatic *Au	1.000	ST
	Item text1: / 1.195-103.0			
1	6.650-111.0	Cable automatic *CH	1.000	ST
	Item text1: / 1.195-102.0			
1	6.648-132.0	Cable automatic *EU	1.000	ST
	Item text1: / 1.195-101.0 / -110.0 / -111.0			
	Item text2: / -116.0 / -117.0 / -119.0 / -120.0			
1	6.648-890.0	Cable automatic PRC	1.000	ST
	Item text1: / 1.195-114.0			
1	6.648-816.0	CABLE DRUM K5500 *	1.000	ST
	Item text1: / 1.195-105.0 / -107.0			
1	6.648-504.0	Cable automatic *GB	1.000	ST
	Item text1: / 1.195-104.0 / -109.0 / -115.0			
1	6.648-627.0	Cable automatic *AR	1.000	ST
	Item text1: / 1.195-108.0			
2	7.303-038.0	Screw M5x12 -St-P2R (In6Rd)	7.000	ST
3	5.053-107.0	Covering cap motor	1.000	ST
4	5.006-214.0	Covering cap cooling air	1.000	ST
5	5.363-493.0	Seal working air	1.000	ST
6	4.053-214.0	Motor bracket only for replacement K5500	1.000	ST
7	5.363-494.0	Bearing blower	1.000	ST
8	6.490-168.0	Vacuum motor	1.000	ST
	Item text1: / 1.195-103.0 / -104.0 / -109.0			
	Item text2: / -115.0			
8	6.490-159.0	Vacuum motor 230V	1.000	ST
	Item text1: / 1.195-101.0 / -102.0 / -108.0 / -110.0 / -111.0 / -114.0 / -116.0 / -117.0 / -119.0 / -120.0			
8	6.490-154.0	Vacuum motor 120V 1200W *USA	1.000	ST
	Item text1: / 1.195-105.0 / -107.0			
9	5.363-395.0	Seal	1.000	ST
10	6.648-326.0	Cable	1.000	ST
11	6.652-034.0	Resistor NTC	1.000	ST