

## **Spare parts list**

(2.642-674.0) Set suction unit BDS 43/180

## Table of contents

---

Set suction unit BDS 43/180 (2.642-674.0)	3
70 Spare parts list add-on kit extraction s (5.972-513.0)	4
10 Tank	5
20 Vacuum motor	7
11 Housing turbine complete (4.605-071.0)	9
30 Belt	11
40 Accessories	13

Set suction unit BDS 43/180 (2.642-674.0)

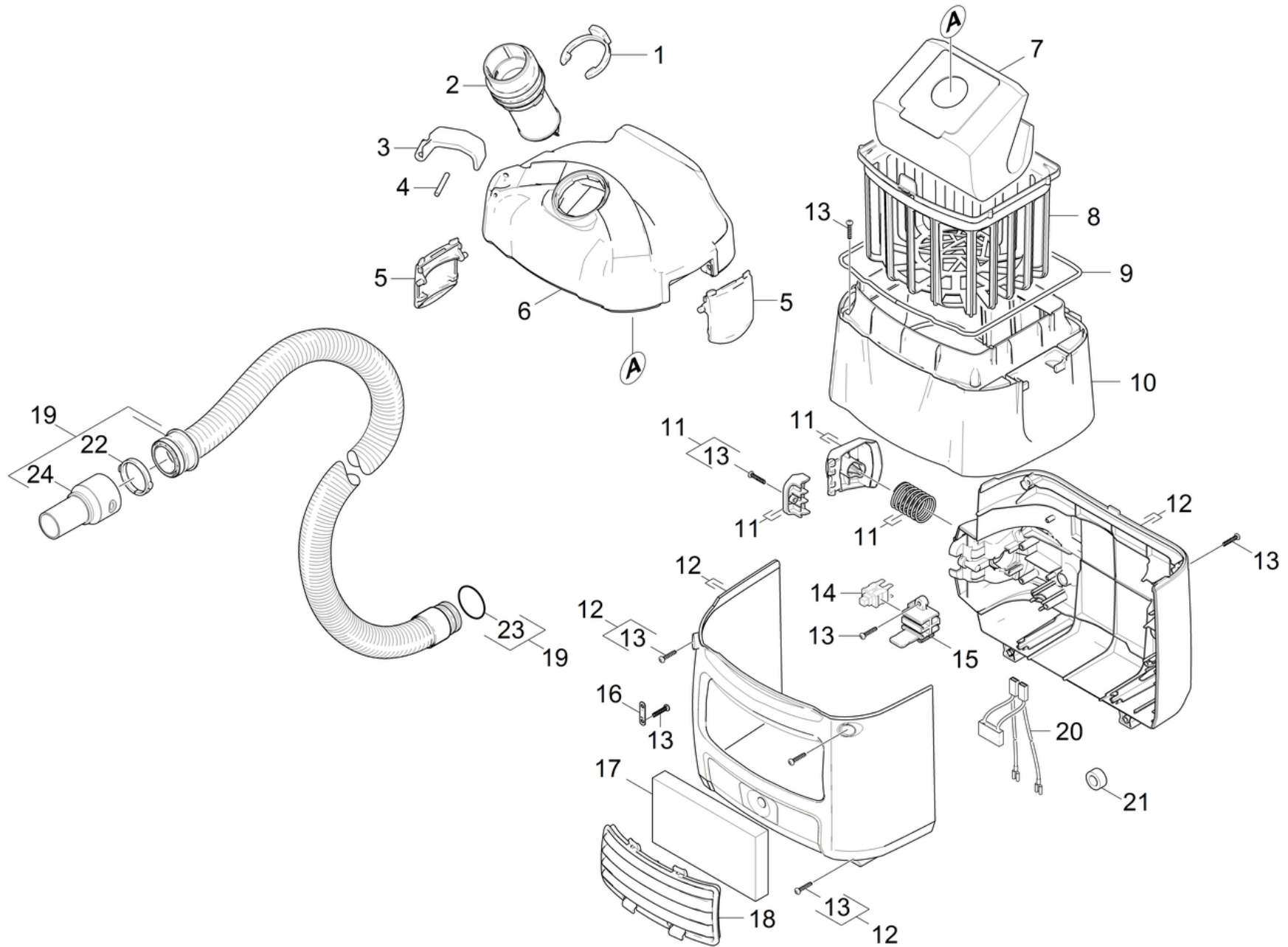
---

<b>POS</b>	<b>Article no.</b>	<b>Description</b>	<b>Quantity</b>	<b>Unit</b>
70	5.972-513.0	Spare parts list add-on kit extraction s	1.000	ST

70 Spare parts list add-on kit extraction s (5.972-513.0)

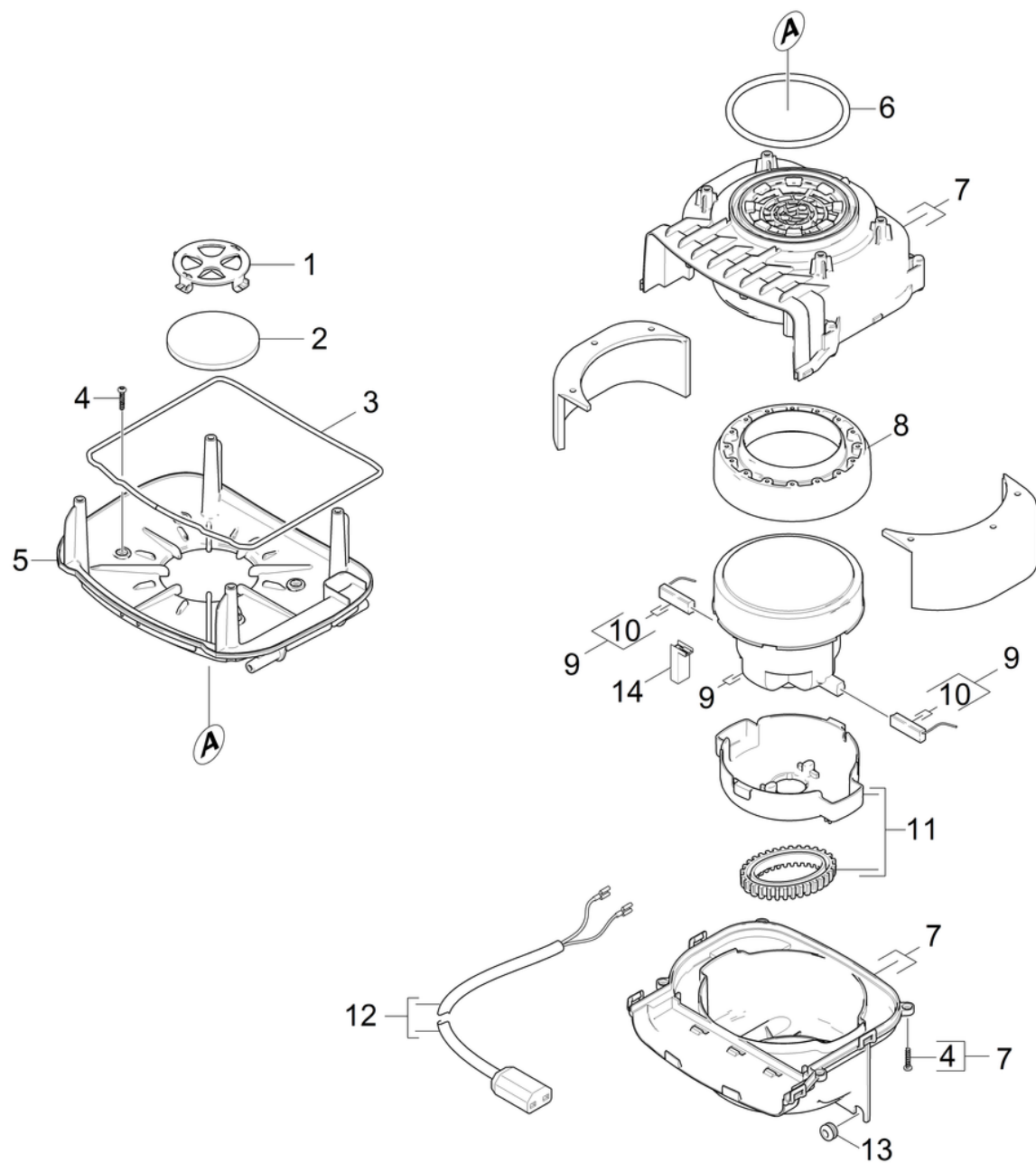
---

<b>POS</b>	<b>Description</b>	<b>Quantity</b>	<b>Unit</b>
10	Tank	1.000	ST
20	Vacuum motor	1.000	ST
30	Belt	1.000	ST
40	Accessories	1.000	ST



## 10 Tank

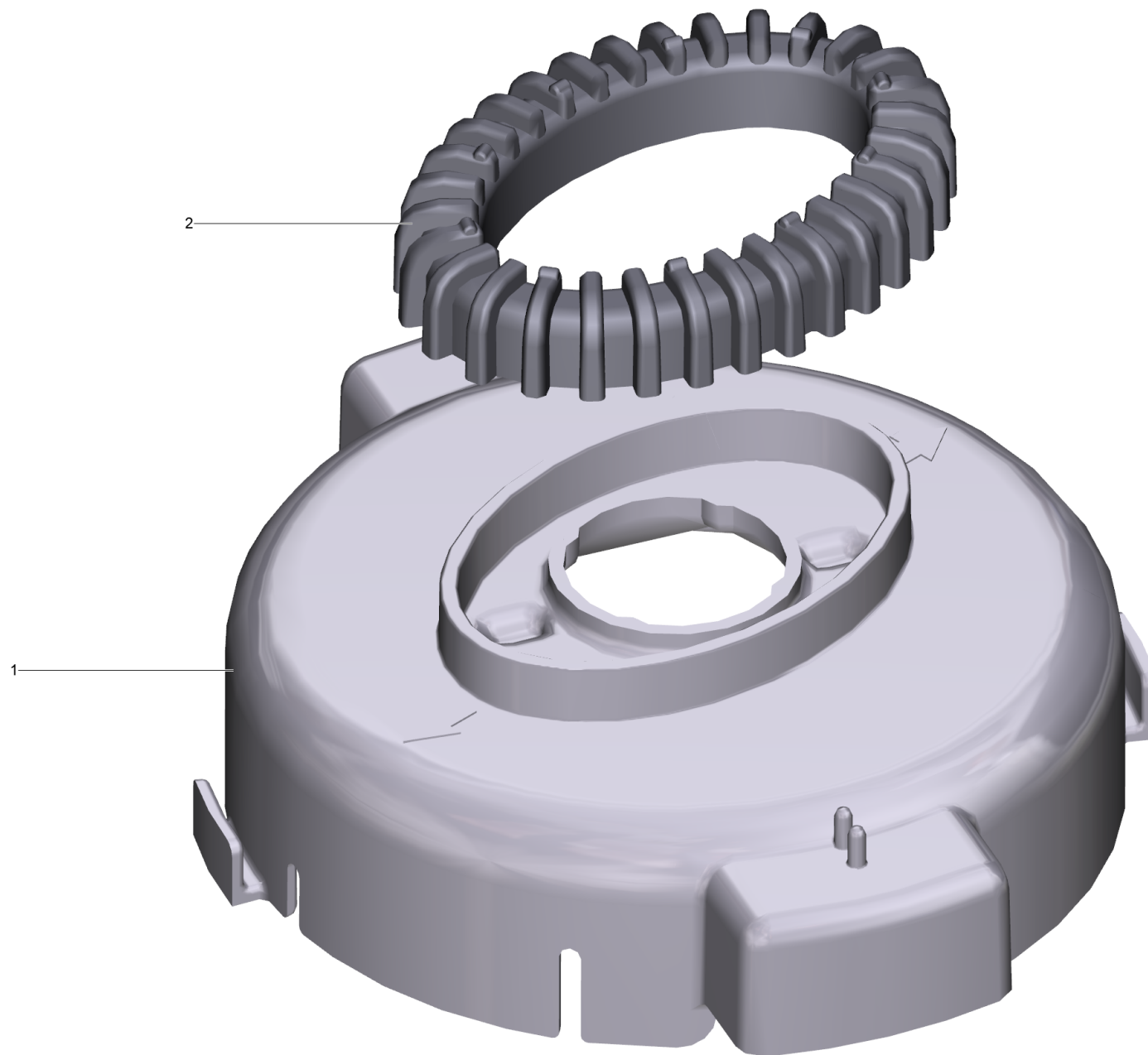
POS	Article no.	Description	Quantity	Unit
1	5.343-022.0	Locking ring	1.000	ST
2	5.033-140.0	Suction connection	1.000	ST
3	5.037-200.0	Hook yellow	1.000	ST
4	5.317-231.0	Bolt hook	1.000	ST
5	5.032-568.0	Locking clip	2.000	ST
6	5.069-206.0	Cover RAL 9005	1.000	ST
7	6.904-335.0	Filter bags fleece 10 Stck Kärcher	1.000	ST
8	5.731-632.0	Filtering basket packaged	1.000	ST
9	6.273-266.0	Seal string cellular rubber D4	1.000	ST
10	4.070-988.0	Tank for replacement BV 5/1 +Bp	1.000	ST
11	4.324-055.0	Pushbutton complete BV 5/1	1.000	ST
12	4.605-147.0	Housing complete RAL 7012	1.000	ST
13	7.303-084.0	Screw 4x25 -10.9-R2R (K-In6Rd)	15.000	ST
14	6.630-437.0	Switch on/off	1.000	ST
15	5.033-141.0	Holder switch	1.000	ST
16	6.903-241.0	Clamp clip	1.000	ST
17	6.414-906.0	Blowing filter only for replacement	1.000	ST
18	5.033-650.0	Grate exhaust opening qusty grey RAL 703	1.000	ST
19	4.440-983.0	Suction hose complete only for replaceme	1.000	ST
20	4.839-439.0	Electrical small parts BV 5/1	1.000	ST
21	6.346-043.0	Ferrite ring	1.000	ST
22	5.031-703.0	Tension ring C35	1.000	ST
23	6.363-182.0	O-Ring seal 30,2 x 3,0	1.000	ST
24	5.407-112.0	Sleeve C35/DN35	1.000	ST



## 20 Vacuum motor

POS	Article no.	Description	Quantity	Unit	Remark
1	5.032-674.0	Grate filter motor protecting	1.000	ST	
2	6.414-611.0	Filter 5 St.	1.000	ZSA	
3	6.273-272.0	Seal string cellular rubber D2,5	1.000	ST	
4	7.303-084.0	Screw 4x25 -10.9-R2R (K-In6Rd)	8.000	ST	
5	5.071-361.0	Tank bottom RAL 7012	1.000	ST	
6	6.273-267.0	Seal string cellular rubber D6	1.000	ST	
7	4.605-094.0	Housing motor complete	1.000	ST	
8	5.363-618.0	Bearing motor bottom T12/1	1.000	ST	
9	4.610-066.0	Vacuum motor complete 230V	1.000	ST	
10	6.610-258.0	Carbon brush set	2.000	ST	
11	4.605-071.0	Housing turbine complete	1.000	ST	
12		Cable with plug	1.000	ST	*EU
13	6.647-365.0	Cable gland	2.000	ST	
14	6.490-268.0	Thermal switch 130°C	1.000	ST	

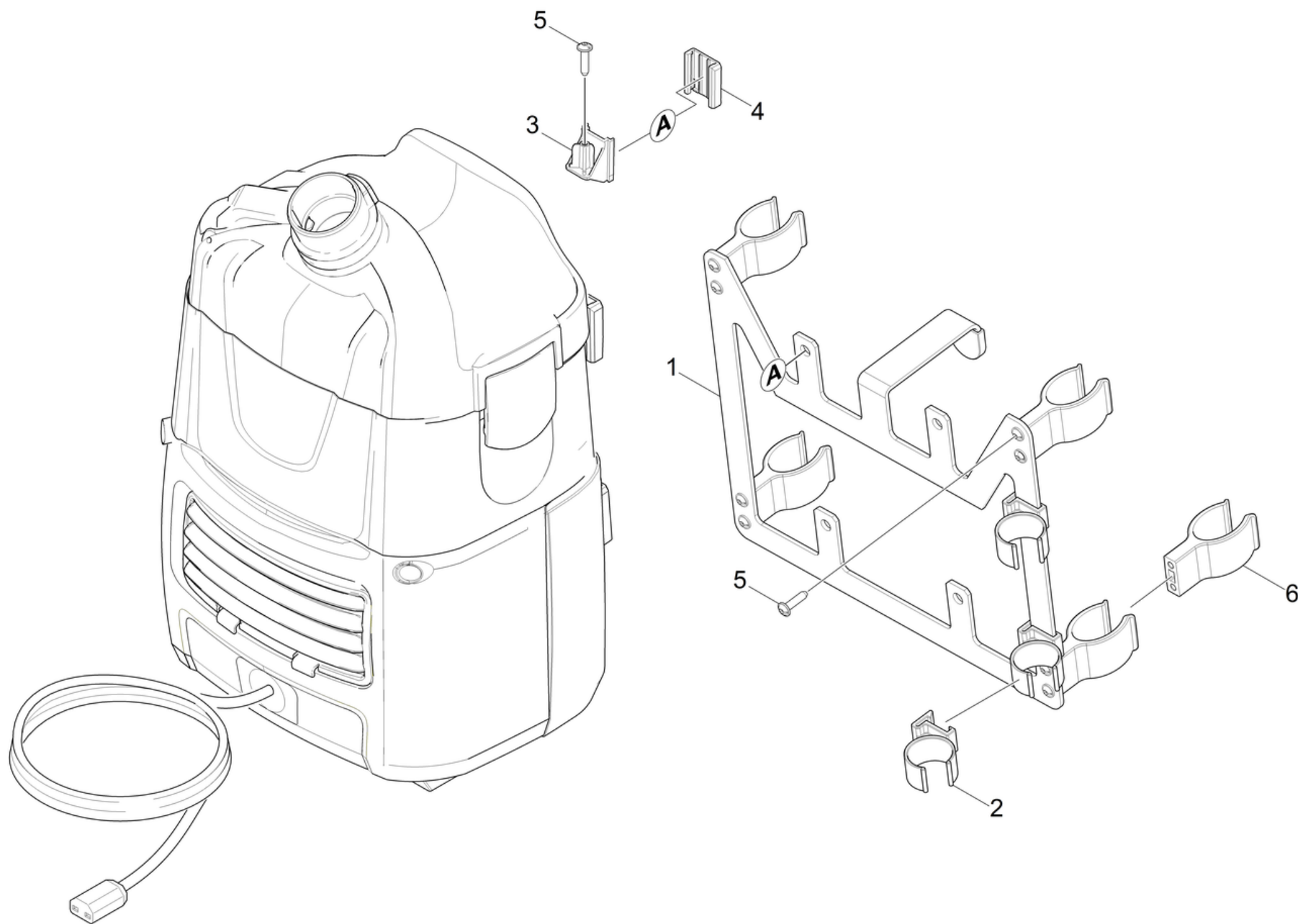




## 11 Housing turbine complete (4.605-071.0)

---

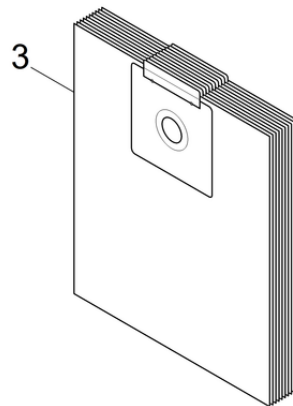
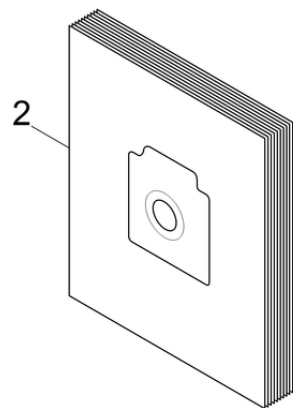
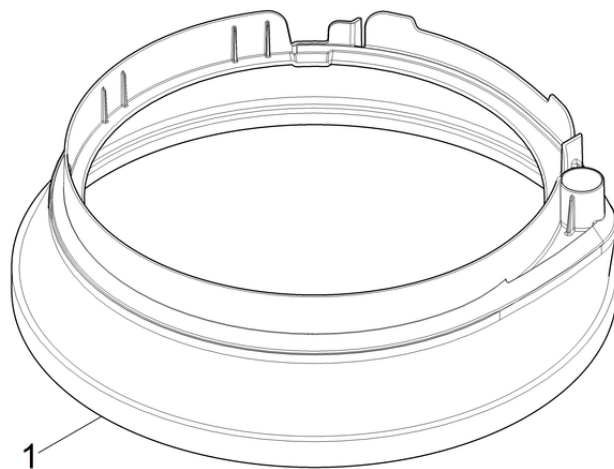
<b>POS</b>	<b>Article no.</b>	<b>Description</b>	<b>Quantity</b>	<b>Unit</b>
1	5.605-278.0	Housing turbine	1.000	ST
2	5.363-619.0	Engine support above	1.000	ST



## 30 Belt

---

<b>POS</b>	<b>Article no.</b>	<b>Description</b>	<b>Quantity</b>	<b>Unit</b>
1	5.039-067.0	Plate fixing vacuum cleaner	1.000	ST
2	5.033-940.0	Clip yellow	2.000	ST
3	5.044-881.0	Holder frame	4.000	ST
4	5.033-330.0	Covering cap	4.000	ST
5	7.303-108.0	Screw 5x20 -10.9-R2R (In6Rd)	2.000	ST
6	5.045-959.0	Clip fixing vacuum cleaner	4.000	ST



## 40 Accessories

---

<b>POS</b>	<b>Article no.</b>	<b>Description</b>	<b>Quantity</b>	<b>Unit</b>
1	4.071-223.0	Exhauster ring complete 43cm/17" Adv	1.000	ST
2	6.904-403.0	Paper filtering bag Basic 10 Stck.	1.000	ST
3	6.904-335.0	Filter bags fleece 10 Stck Kärcher	1.000	ST