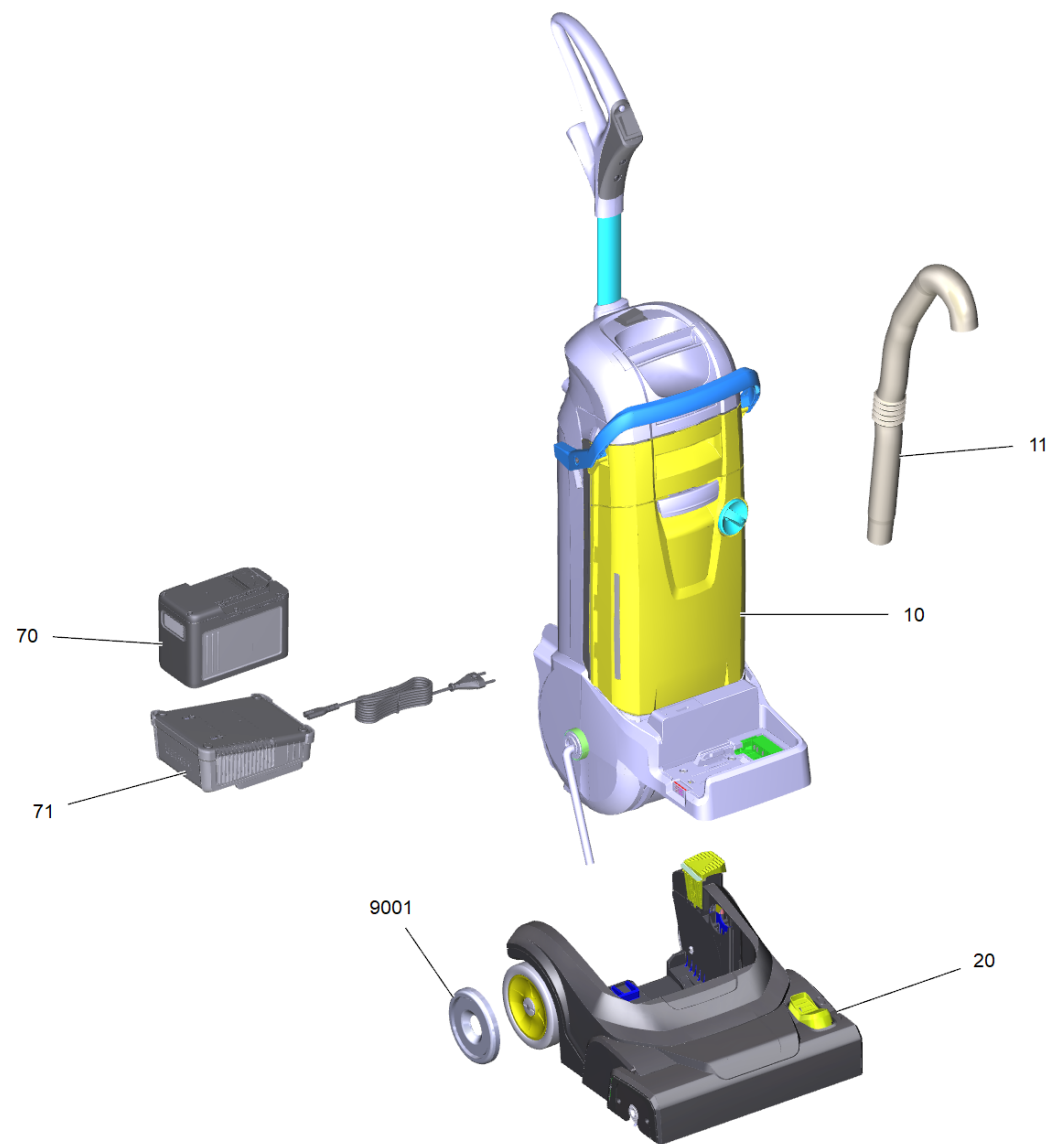


Spare parts list

(1.783-228.0) BR 30/4 C BP Pack *EU

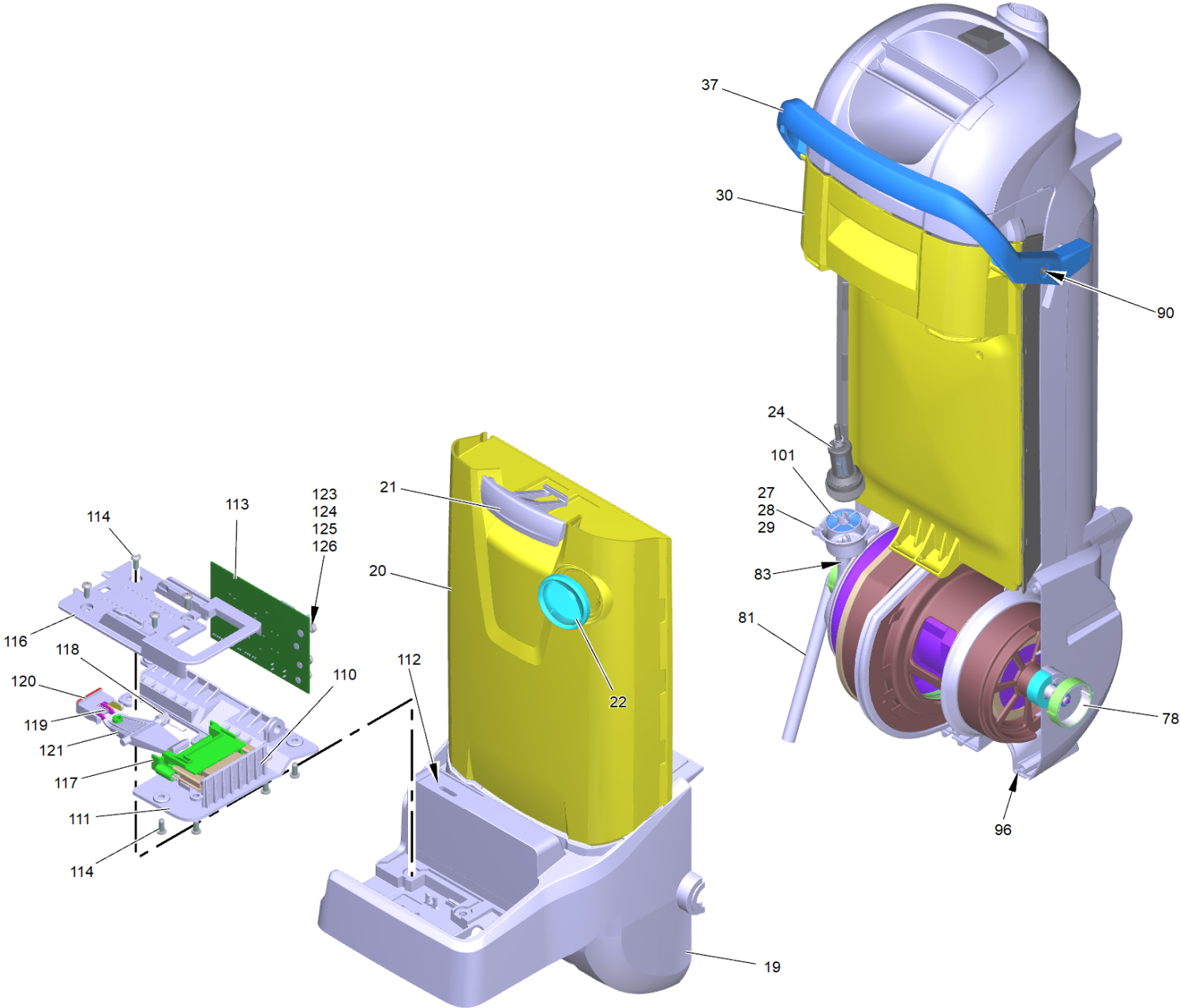
Table of contents

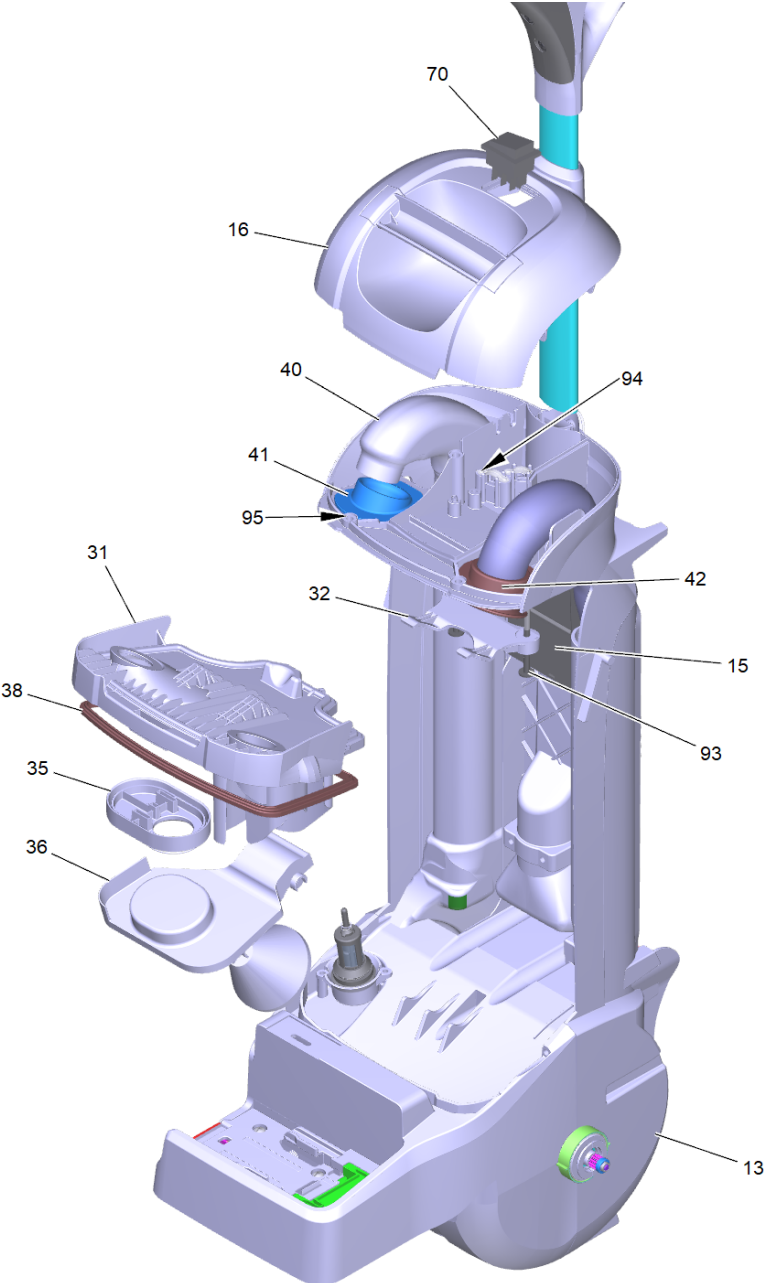
BR 30/4 C BP Pack *EU (1.783-228.0)	3
10 Basic machinery BR 30/4 Bp 36V	5
12 Handle aluminium riveted BR 30/4 (4.034-036.0)	13
16 Covering cap housing replacement (4.033-162.0)	14
20 Fresh water tank (5.033-754.0)	16
22 Fuel tank filler cap replacement (4.033-749.0)	18
36 Float replacement (4.033-750.0)	20
20 Brush-head BR 30/4 C	22
15 Suction bar complete replacement Silikon (4.777-008.0)	27
15 Suction bar complete oil resistant 300 (4.777-324.0)	29
18 Brush roll complete middle rot 300 mm (4.762-005.0)	31
18 Brush roll complete white 300 mm (4.762-452.0)	33
18 Roll micro-fibre complete (4.762-453.0)	35
18 Brush roll complete orange 300 mm (4.762-484.0)	37
9015 Pad roll complete (4.762-668.0)	39
10 Pad roll	41

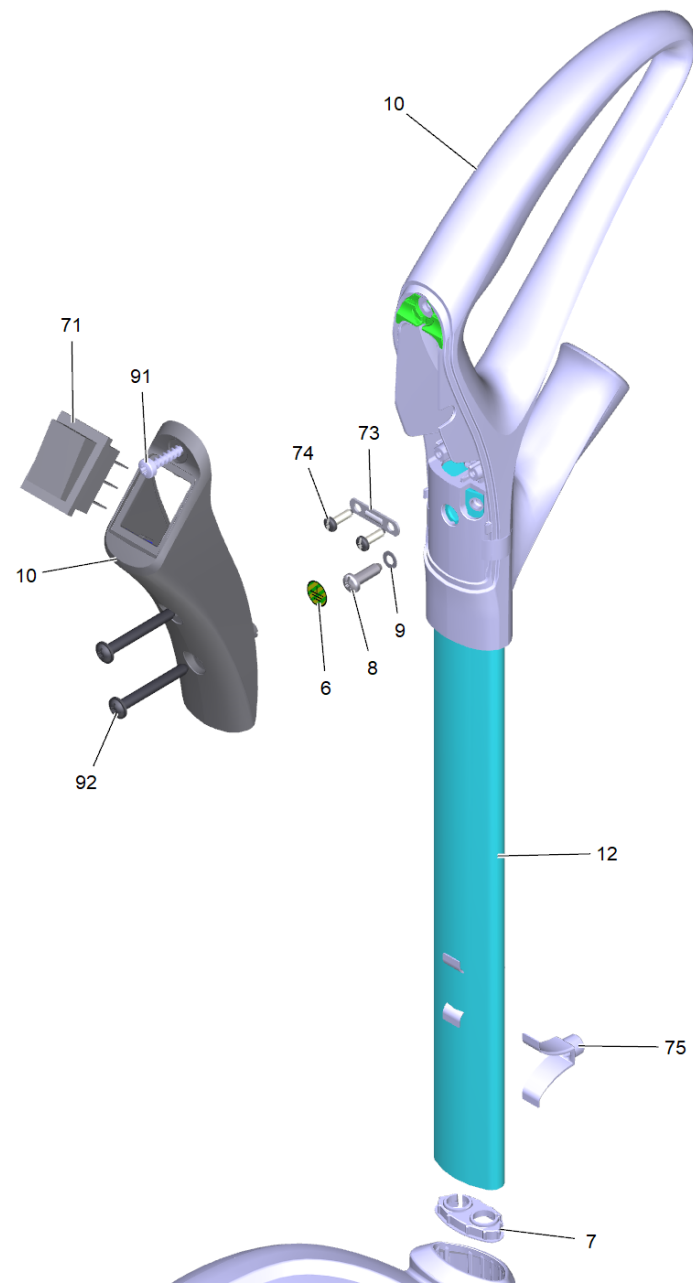


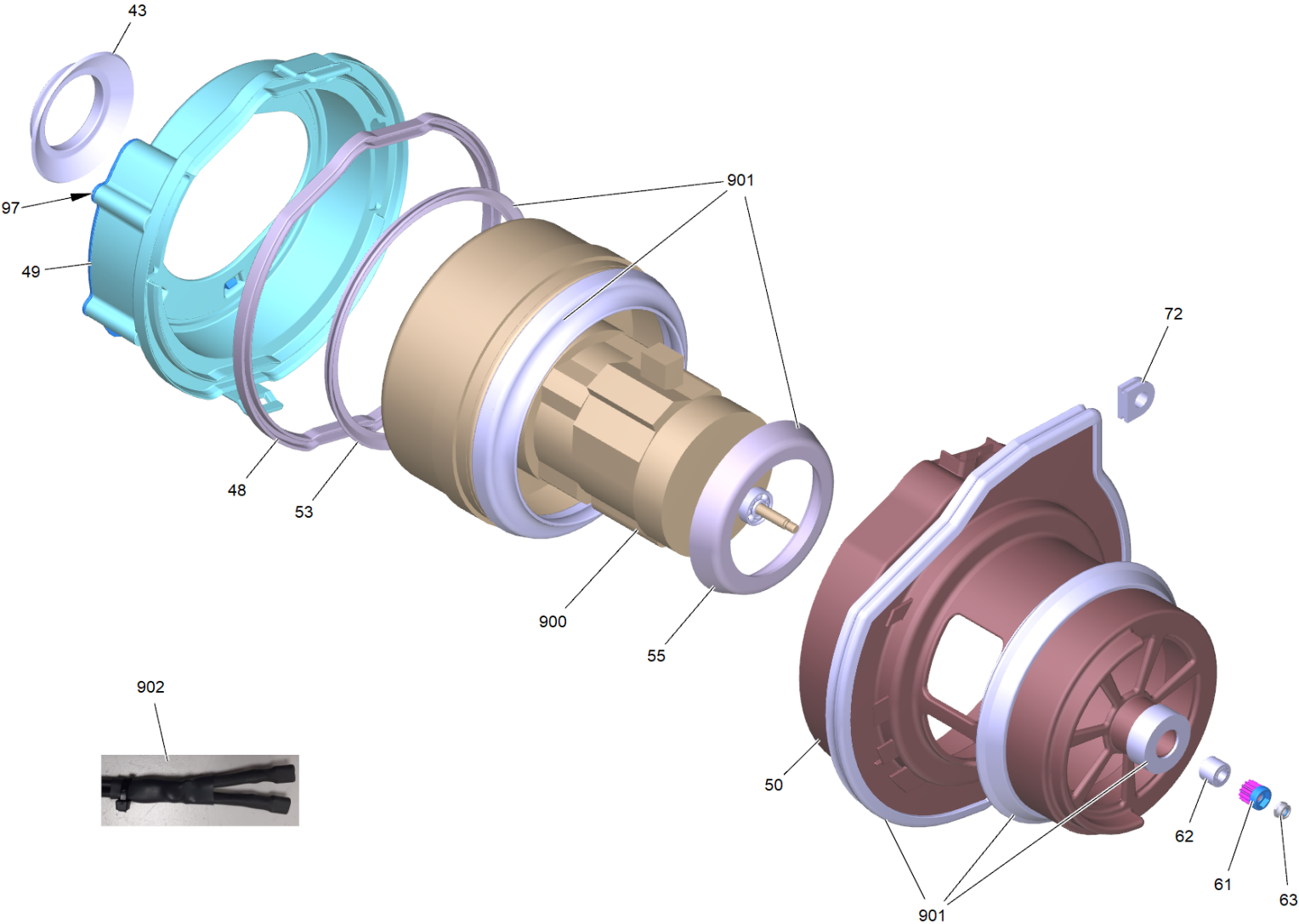
BR 30/4 C BP Pack *EU (1.783-228.0)

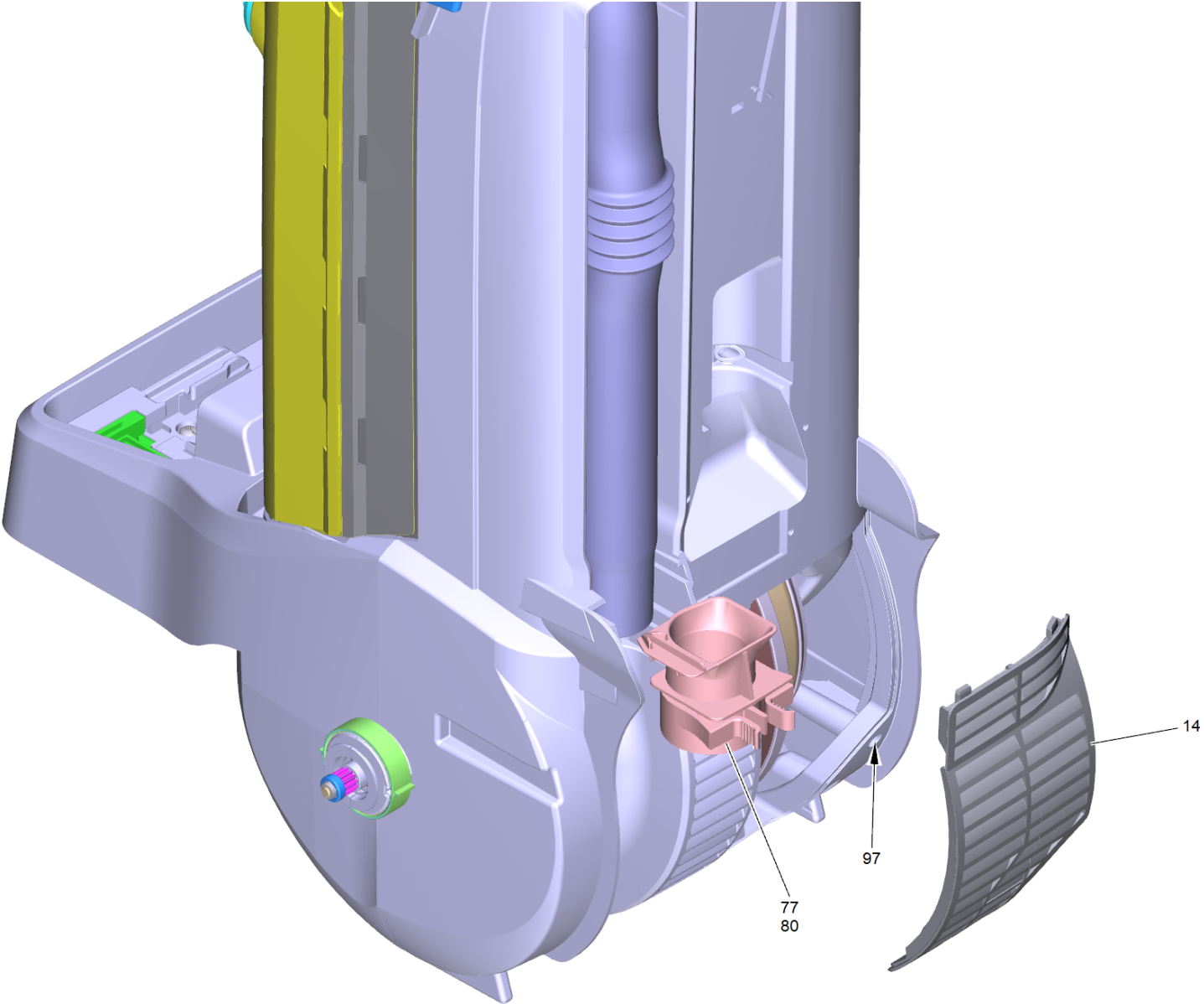
POS	Article no.	Description	Quantity	Unit
10		Basic machinery BR 30/4 Bp 36V	1	PC
71	2.445-045.0	Battery charger Battery Power+ 36/60 *EU	1	PC
70	2.445-043.0	Battery Power+ 36/75 *INT	1	PC
20		Brush-head BR 30/4 C	1	PC
50	4.823-203.0	Cable harness BR 30/4 Bp 36V	1	PC
11	5.033-179.0	Suction pipe tank	1	PC
9001	5.101-616.0	Washer weight	1	PC











10 Basic machinery BR 30/4 Bp 36V

POS	Article no.	Description	Quantity	Unit	Foot note text
902	6.642-226.0	Adapter cable turbine capacitor	1	PC	
78	4.250-079.0	BEARING SHELL kpl.	2	PC	
72	6.648-064.0	Cable bushing	1	PC	
37	5.033-598.0	Carrier handle tank yellow	1	PC	
73	6.903-241.0	Clamp clip	2	PC	
117	4.051-354.3	Contact carrier ejector BP/NT	2	PC	
113	4.683-294.0	Control system electronics BR30/4 Bp	1	PC	
49	4.033-176.0	Cover enclosure replacement	1	PC	
15	5.033-175.0	Covering cap cable	1	PC	
111	5.038-092.0	Covering cap electronics BR 30/4 Bp	1	PC	
16	4.033-162.0	Covering cap housing replacement	1	PC	
31	5.033-181.0	Cover waste water tank	1	PC	
50	5.033-176.0	Enclosure motor	1	PC	
110	5.038-101.0	Fixing ejector accumulator	1	PC	
62	5.033-194.0	Flanged pulley pinion	1	PC	
14	5.033-174.0	Flap ventilation	1	PC	
36	4.033-750.0	Float replacement	1	PC	
81	5.033-952.0	Form hose fresh water BR 30/4	1	PC	
20	5.033-754.0	Fresh water tank	1	PC	
22	4.033-749.0	Fuel tank filler cap replacement	1	PC	
27	5.033-190.0	Funnel valve	1	PC	
32	5.033-265.0	Guide cap of a tank	1	PC	
10	4.033-170.0	Handhold complete replacement	1	PC	
12	4.034-036.0	Handle aluminium riveted BR 30/4	1	PC	
123	7.311-001.0	Hexagon nut M4 -6-A2E ISO 4032	3	PC	
125	7.311-002.0	Hexagon nut M5 -6-A2E ISO 4032	1	PC	
63	7.311-431.0	Hexagon nut M5-1.4305 DIN 985	1	PC	
83	6.388-701.0	Hose clip with insert 13,3	1	PC	
13	5.033-172.0	Housing	1	PC	
6	6.643-145.0	Label earthing	1	PC	
112	6.643-037.0	LED Indicator foil BR 30/4 Bp	1	PC	
118	6.330-264.0	Leg spring	1	PC	
121	4.071-599.0	Lock element battery	1	PC	

10 Basic machinery BR 30/4 Bp 36V

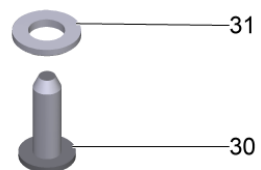
POS	Article no.	Description	Quantity	Unit	Foot note text
94	6.303-122.0	M4 .2X13 DIN 7981 TORX T15 PAN HD HI/LO	4	PC	
	Item text1: successor of 9.760-120.0				
19	5.038-090.0	Motor housing battery BR 30/4	1	PC	
61	5.033-263.0	Motor pinion z13 M3	1	PC	
21	5.033-748.0	Notch fresh water tank	1	PC	
28	6.362-604.0	O-Ring seal 27,0 X 3,0	1	PC	
7	5.033-196.0	Plug handle	1	PC	
119	6.330-160.0	Pressure spring	1	PC	
70	6.632-058.0	Pushbutton two-pole on/off	1	PC	VERSION 2
70	6.632-058.0	Pushbutton two-pole on/off	1	PC	VERSION 1
116	5.038-091.0	Rail accumulator BR 30/4 Bp	1	PC	
74	7.303-102.0	Screw 3,5x12 -A2-70-bk (In6Rd)	2	PC	
114	7.303-274.0	Screw 5x12 -A2-70 (In6Rd)	11	PC	
90	7.303-107.0	Screw 5x16 -10.9-P2R (K-In6Rd)	2	PC	
29	7.303-104.0	Screw 5x16 -A2-70 (IN6RD)	2	PC	
97	7.303-104.0	Screw 5x16 -A2-70 (IN6RD)	6	PC	
91	7.303-212.0	Screw 5x20-A2-70 (K-In6Rd)	1	PC	
95	7.303-086.0	Screw 5x30 -10.9-R2R (K-In6Rd)	2	PC	
96	7.303-268.0	Screw 5x30-A2-70 (K-In6Rd)	3	PC	
92	7.303-118.0	Screw 5x40 -A2-70 (IN6Rd)	5	PC	
93	6.303-100.0	Screw 5x65 (Kombi-IN6RD)	2	PC	
94	9.760-120.0	Screw d.4,2x13 (9.086-192)	4	PC	
8	7.303-030.0	Screw M4x8 -St-P2R (In6Rd)	1	PC	
	Item text1: successor of 7.303-319.0				
8	7.303-030.0	Screw M4x8 -St-P2R (In6Rd)	1	PC	
55	5.363-395.0	Seal	1	PC	
38	5.363-711.0	Seal cover tank SW	1	PC	
48	5.363-725.0	Seal enclosure	1	PC	
35	5.363-702.0	Seal float	1	PC	
42	5.363-688.0	Sealing lip SWT-SL-SB	1	PC	
41	5.363-687.0	Sealing lip SWT-SL-T	1	PC	
43	5.363-689.0	Sealing lip vac motor SL	1	PC	
53	5.363-690.0	Seal turbine front	1	PC	

10 Basic machinery BR 30/4 Bp 36V

POS	Article no.	Description	Quantity	Unit	Foot note text
9	7.312-230.0	Serrated lock washer A4,3-FSt-A3E DIN67	1	PC	
901	4.363-690.0	Set of gaskets	1	PC	
77	5.407-135.0	Sleeve suction tube qusty grey	1	PC	
75	5.033-195.0	Spring handle	2	PC	
124	6.645-664.0	Spring washer B 4	3	PC	
126	7.313-002.0	Spring washer B5-FSt-MZN DIN 127	1	PC	
101	5.033-905.0	Strainer fresh water	1	PC	
80	6.391-724.0	Suction hose DN32 -130mm	1	PC	
40	5.033-178.0	Suction pipe turbine	1	PC	
71	6.632-059.0	Switch lamp 24V	1	PC	VERSION 2
71	6.632-059.0	Switch lamp 24V	1	PC	VERSION 1
900	4.490-026.0	Turbine set 36V 500W	1	PC	
120	5.324-203.0	Unlocking button battery	1	PC	
24	4.190-029.0	Valve fresh water tank BR 30/4	1	PC	
30	5.033-747.0	Waste water tank	1	PC	

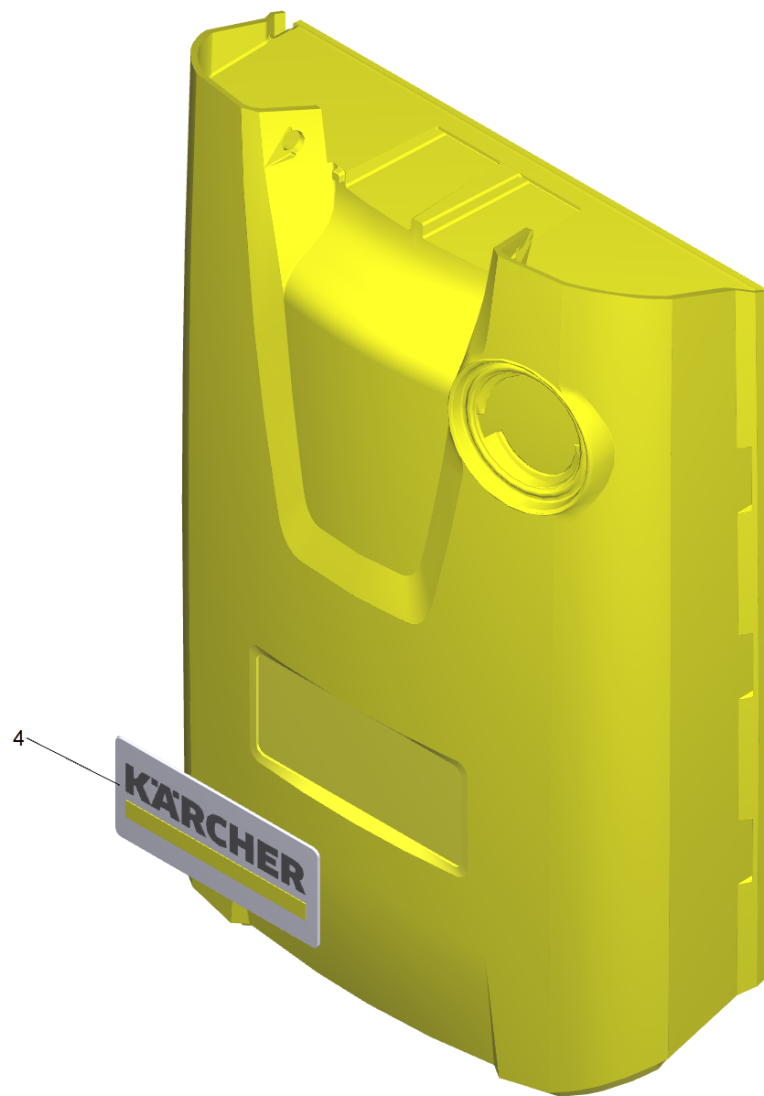
12 Handle aluminium riveted BR 30/4 (4.034-036.0)

POS	Article no.	Description	Quantity	Unit
10	4.035-624.0	Sealing tape set for replacement 3x	1	PC



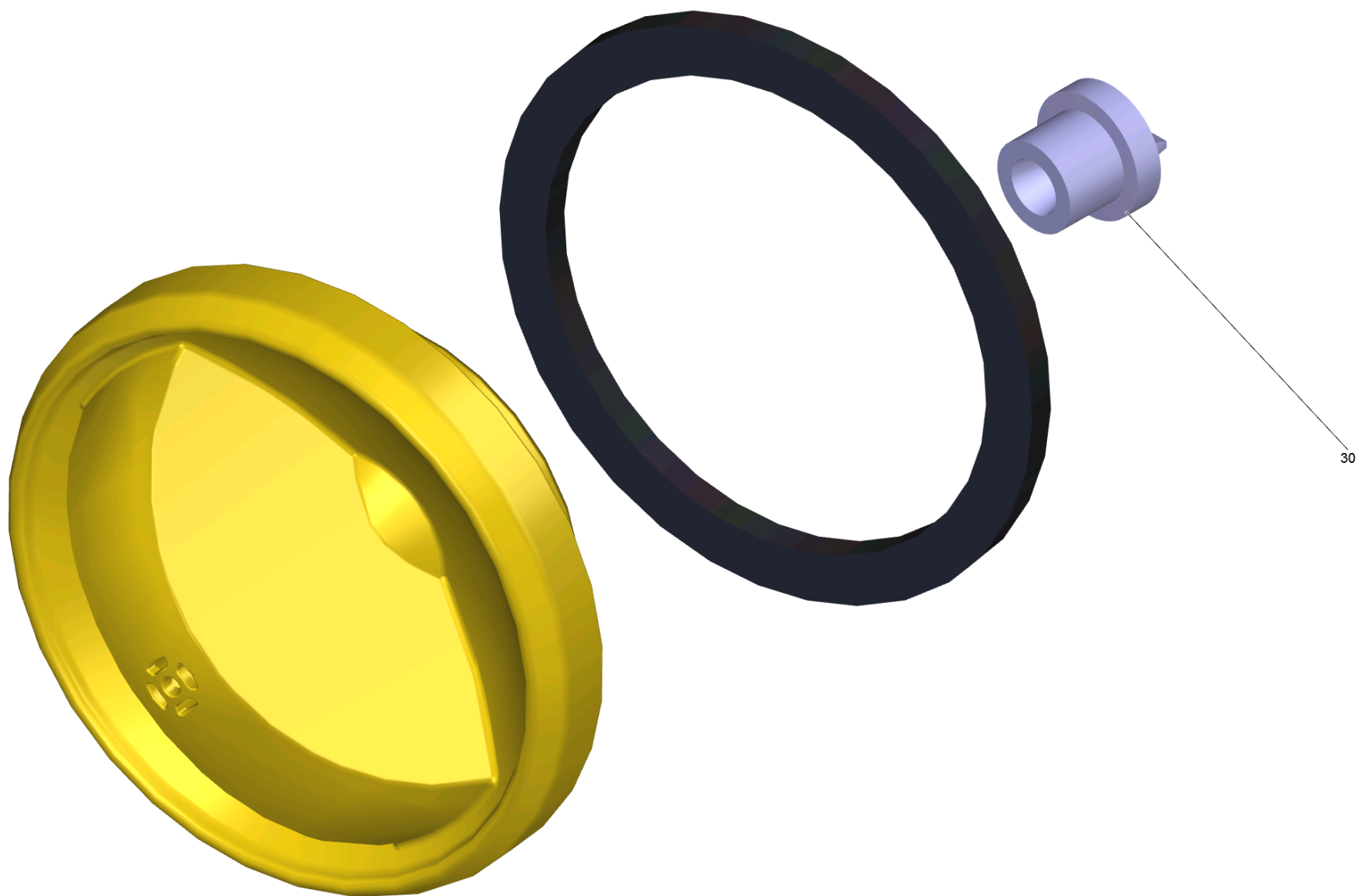
16 Covering cap housing replacement (4.033-162.0)

POS	Article no.	Description	Quantity	Unit
30	7.303-107.0	Screw 5x16 -10.9-P2R (K-In6Rd)	2	PC
31	7.312-026.0	Washer 6 -A2 ISO 7089	2	PC
	Item text1: successor of 6.614-022.0			



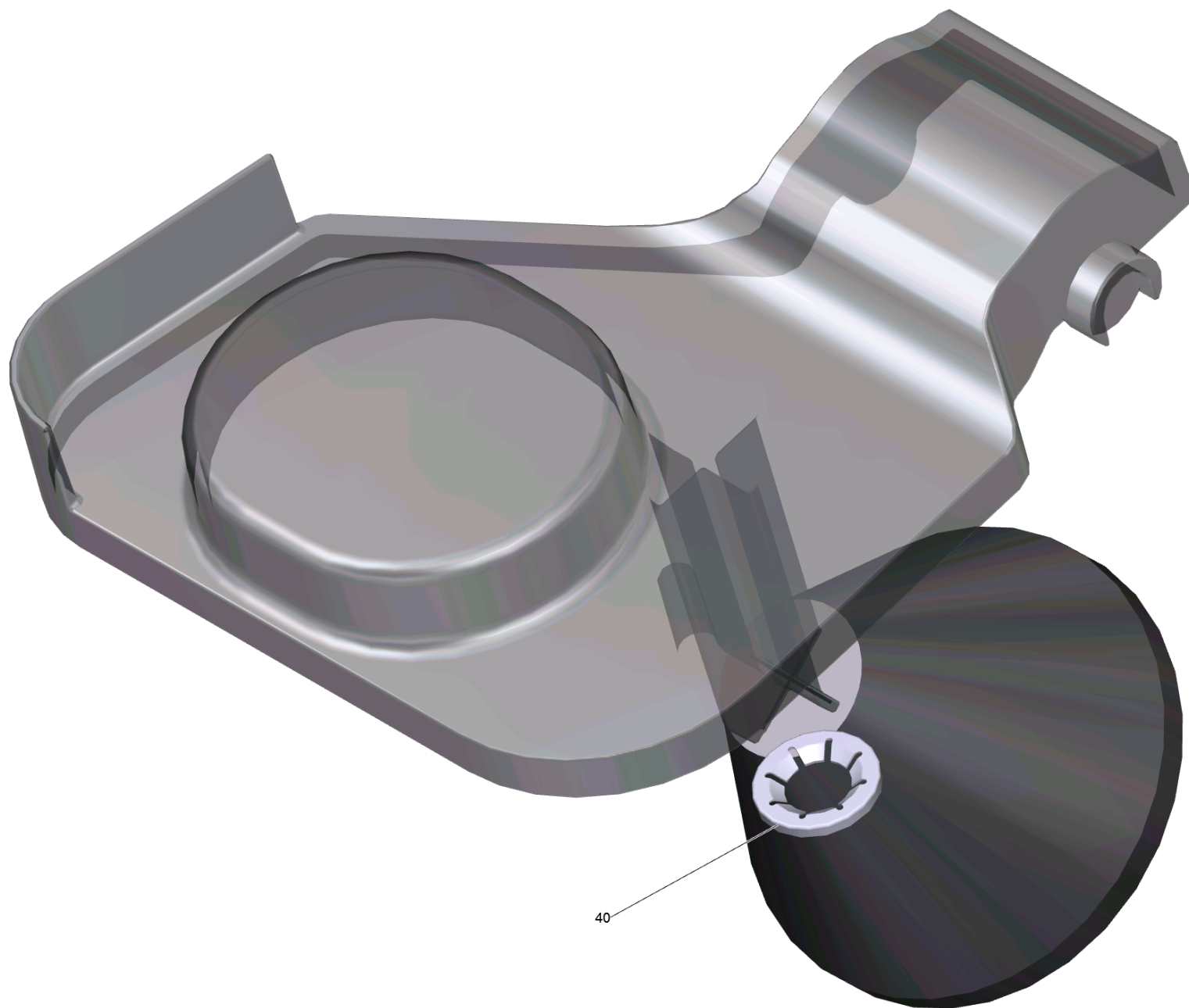
20 Fresh water tank (5.033-754.0)

POS	Article no.	Description	Quantity	Unit
4	5.385-562.0	Label logo glued L Prof	1	PC



22 Fuel tank filler cap replacement (4.033-749.0)

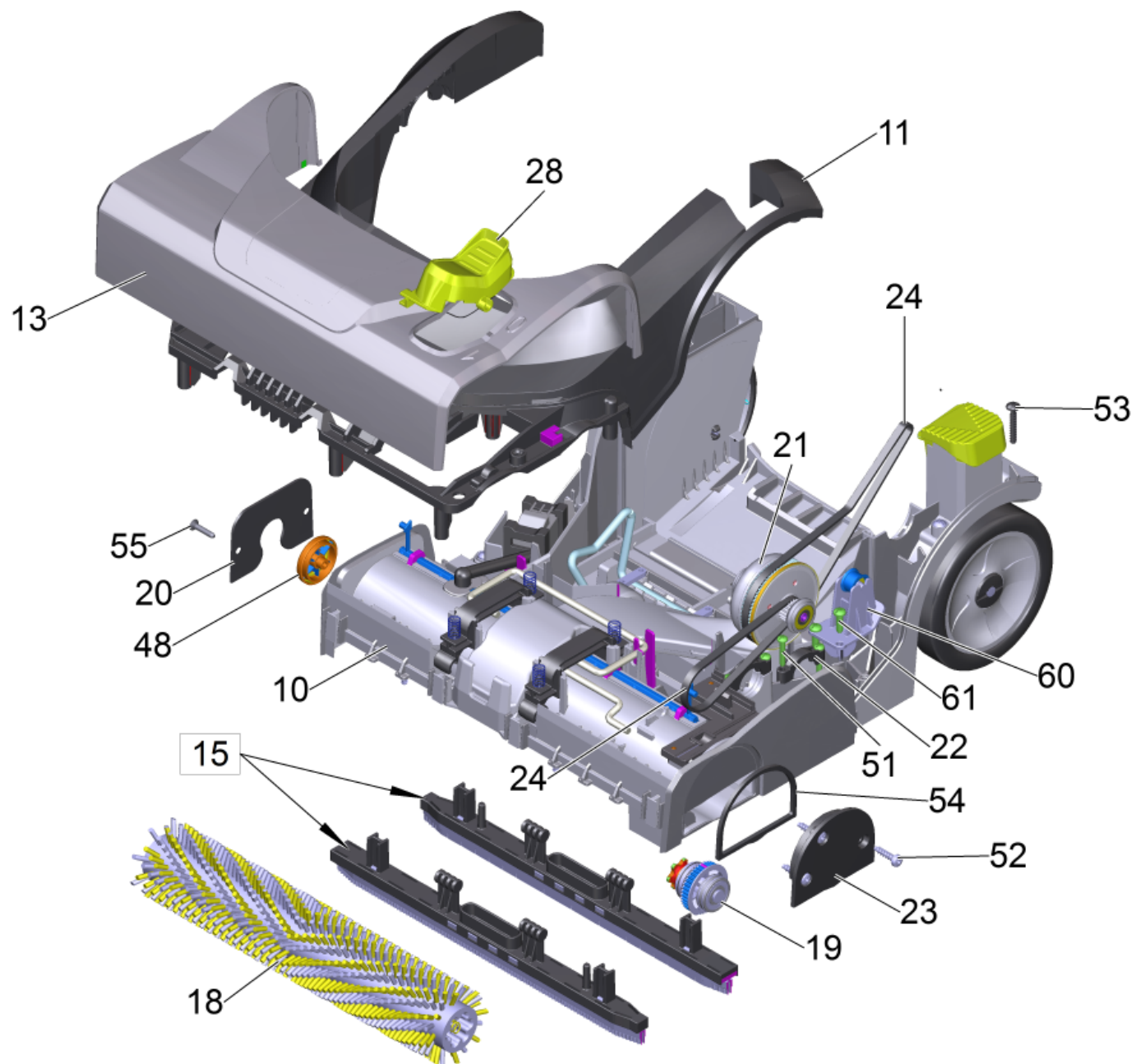
POS	Article no.	Description	Quantity	Unit
30	6.414-896.0	Ventilating valve	1	PC

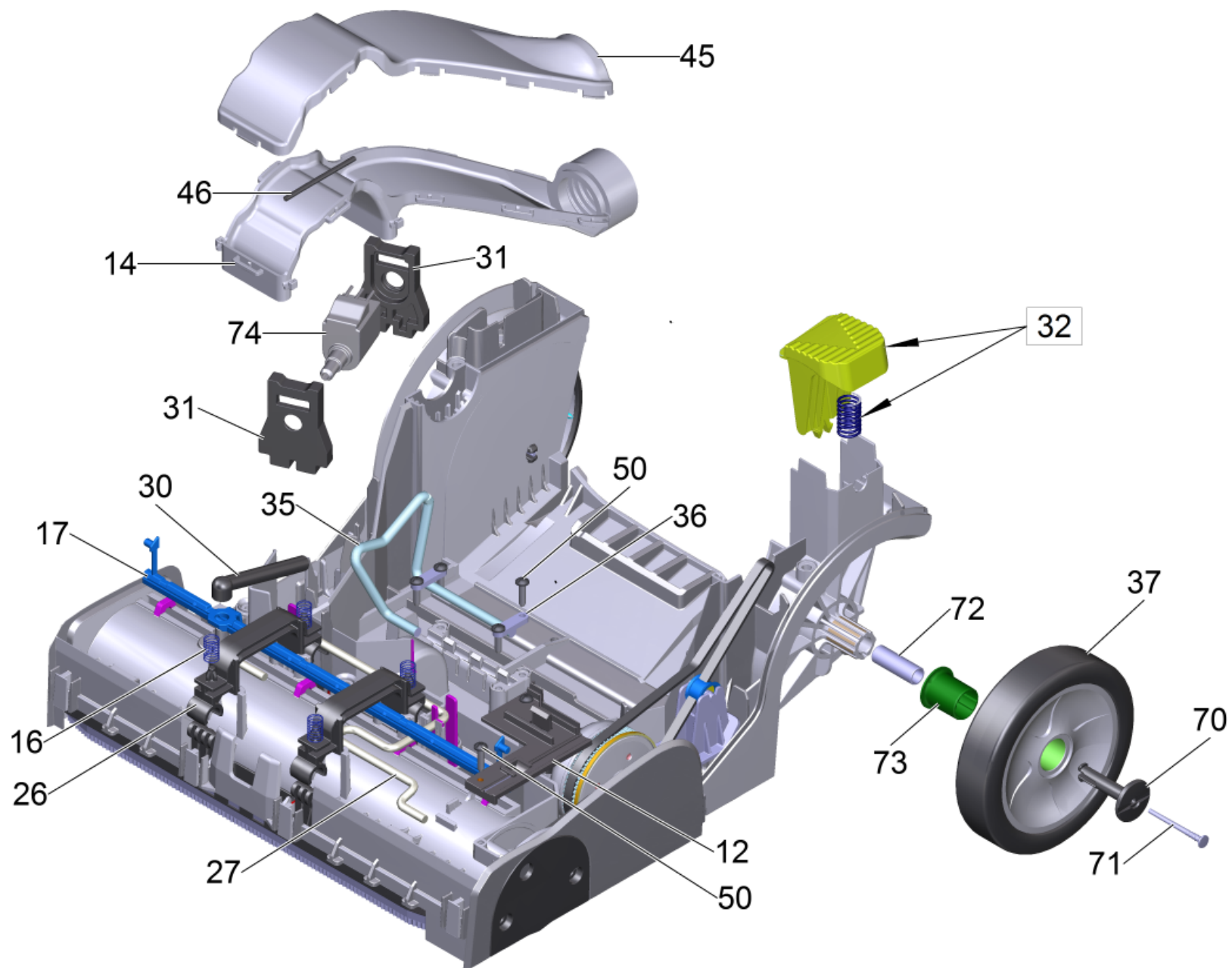


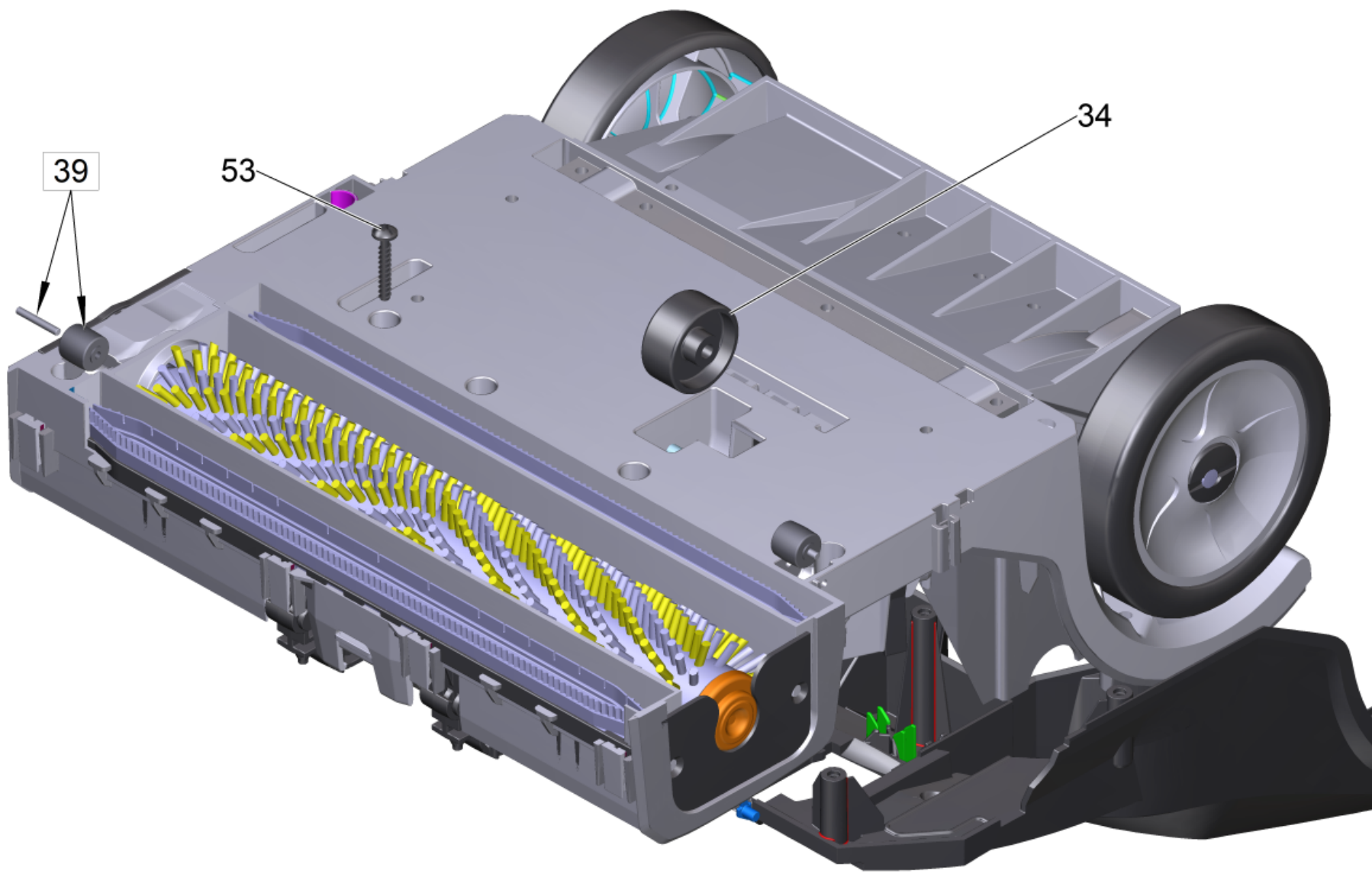
40

36 Float replacement (4.033-750.0)

POS	Article no.	Description	Quantity	Unit
40	6.343-149.0	Quick-fastener	1	PC





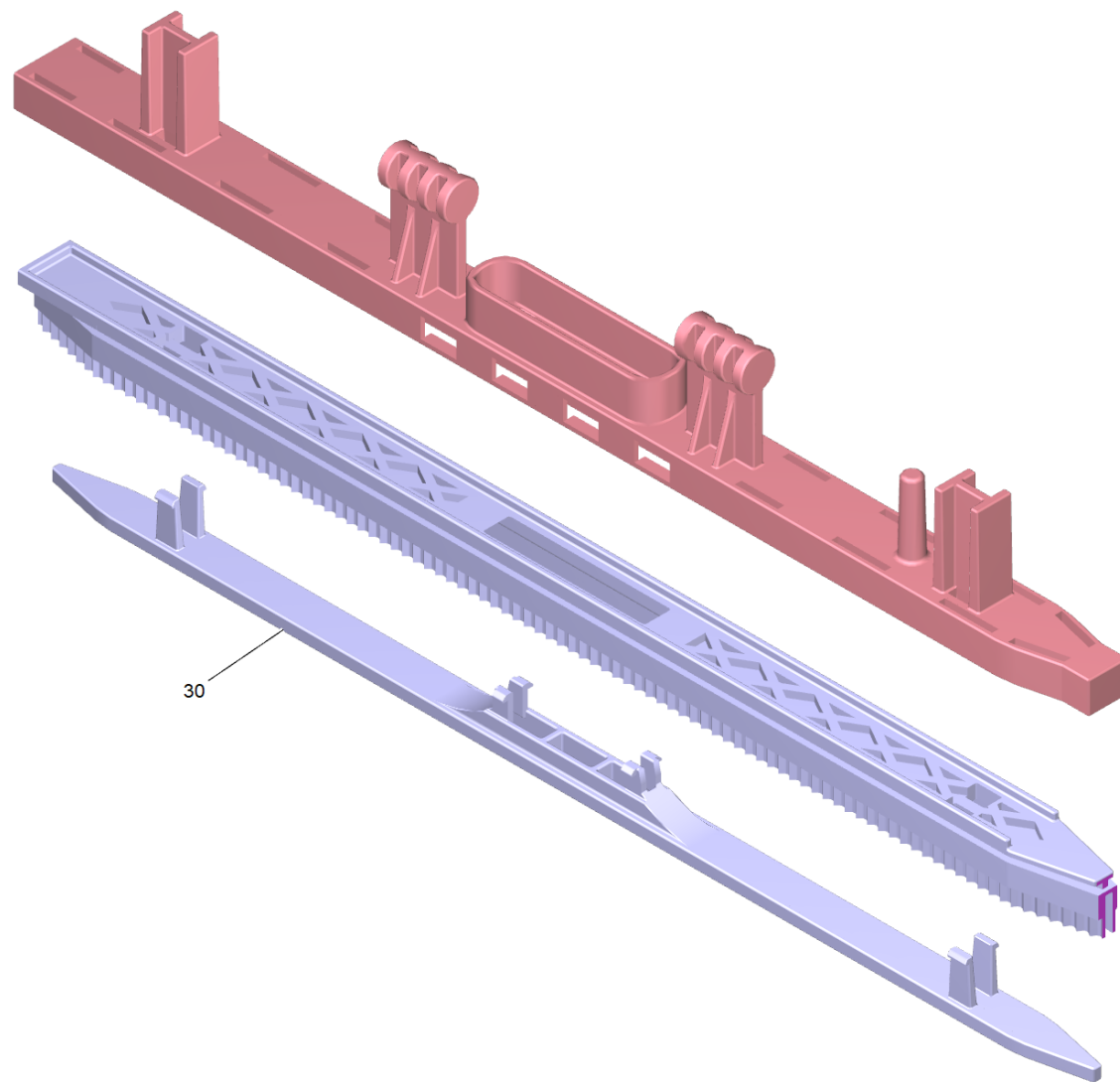


20 Brush-head BR 30/4 C

POS	Article no.	Description	Quantity	Unit
19	3.763-098.0	Assembly group brushes drive	1	PC
18	4.762-005.0	Brush roll complete middle rot 300 mm	1	PC
18	4.762-484.0	Brush roll complete orange 300 mm	1	PC
18	4.762-452.0	Brush roll complete white 300 mm	1	PC
13	5.033-202.0	Bumper	1	PC
72	5.112-863.0	Bush	2	PC
55	7.303-269.0	Countersunk screw 4x20 -A2-70 (In6Rd)	2	PC
22	5.033-222.0	Coupler clamp block	2	PC
21	4.470-043.0	Coupler complete	1	PC
11	5.033-755.0	Covering cap brush-head	1	PC
12	5.033-238.0	Covering cap plate switch	1	PC
23	5.033-223.0	cover retainer transmission	1	PC
30	5.363-698.0	HOSE NOZZLE	1	PC
10	5.033-200.0	Housing brush-head	1	PC
9015	4.762-668.0	Pad roll complete	1	PC
32	4.481-291.0	Pedal complete only for replacement	1	PC
28	5.033-225.0	Pedal suction bar	1	PC
71	5.033-279.0	Pin snap-fit wheel	2	PC
73	5.038-180.0	Plain bearing with collar	2	PC
60	4.470-040.0	Pressure roller complete	1	PC
74	6.473-553.0	Pump 24V 50 Hz	1	PC
35	5.034-826.0	Retaining bracket height adjustment	1	PC
27	5.034-803.0	Retaining bracket suction bar	1	PC
20	5.009-415.0	Retaining plate brush	1	PC
39	4.880-058.0	Roller set	1	PC
18	4.762-453.0	Roll micro-fibre complete	1	PC
31	5.363-694.0	rubber pump	2	PC
50	7.303-026.0	Screw 4x16 -A2-70 (K-In6Rd)	6	PC
51	7.303-096.0	Screw 4x22-ST-10.9-R2R (IN6RD)	4	PC
61	7.303-104.0	Screw 5x16 -A2-70 (IN6RD)	2	PC
52	7.303-212.0	Screw 5x20-A2-70 (K-In6Rd)	3	PC
53	7.303-268.0	Screw 5x30-A2-70 (K-In6Rd)	12	PC
54	5.363-713.0	Seal Lagerdeckel	1	PC

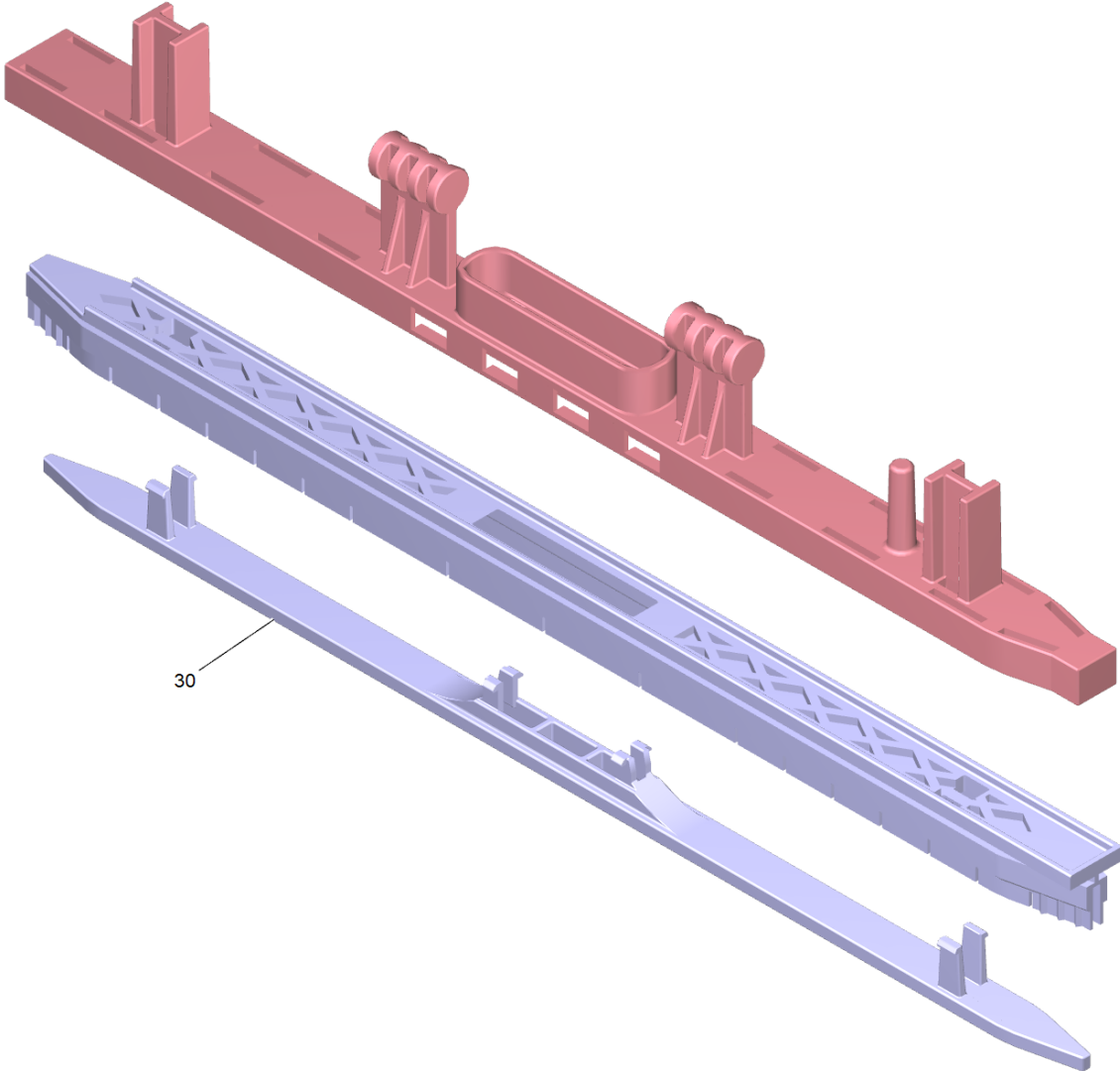
20 Brush-head BR 30/4 C

POS	Article no.	Description	Quantity	Unit
46	6.273-037.0	Seal string cellular rubber 3	0,575	m
70	5.033-208.0	Snap-fit wheel	2	PC
16	5.332-952.0	Spring	4	PC
36	6.647-513.0	Strain relief	2	ZST
17	5.190-255.0	Strip water distributor	1	PC
15	4.777-324.0	Suction bar complete oil resistant 300	2	PC
15	4.777-008.0	Suction bar complete replacement Silikon	2	PC
14	5.033-207.0	Suction channel brush-head	1	PC
45	5.033-258.0	Suction channel top part	1	PC
48	5.033-230.0	Thread deflector	1	PC
24	4.348-450.0	Toothed belt set	1	PC
26	5.033-224.0	Web suction bar	2	PC
34	5.515-069.0	Wheel	1	PC
37	5.515-366.0	Wheel D121	2	PC



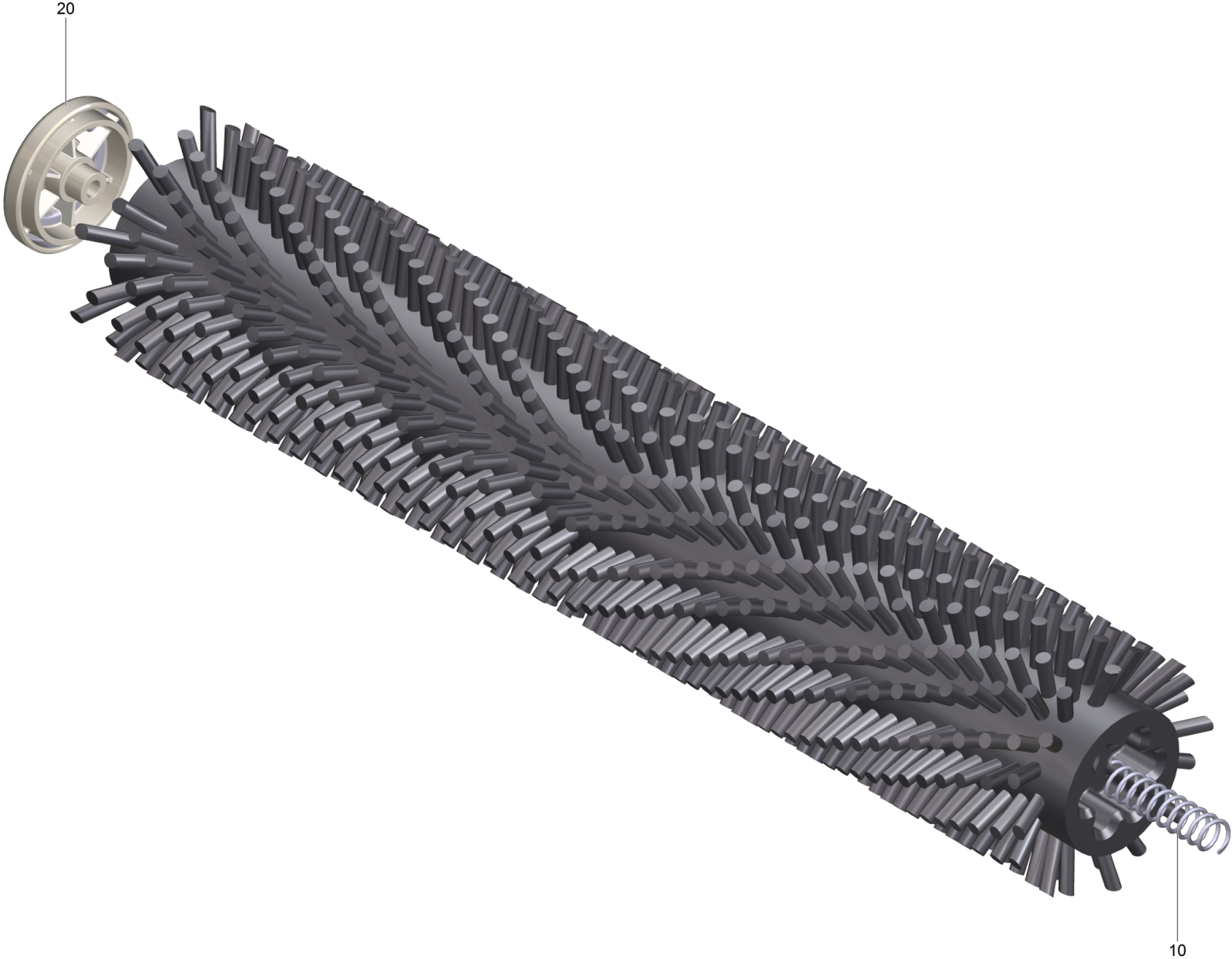
15 Suction bar complete replacement Silikon (4.777-008.0)

POS	Article no.	Description	Quantity	Unit
30	5.033-199.0	Clip suction bar	1	PC



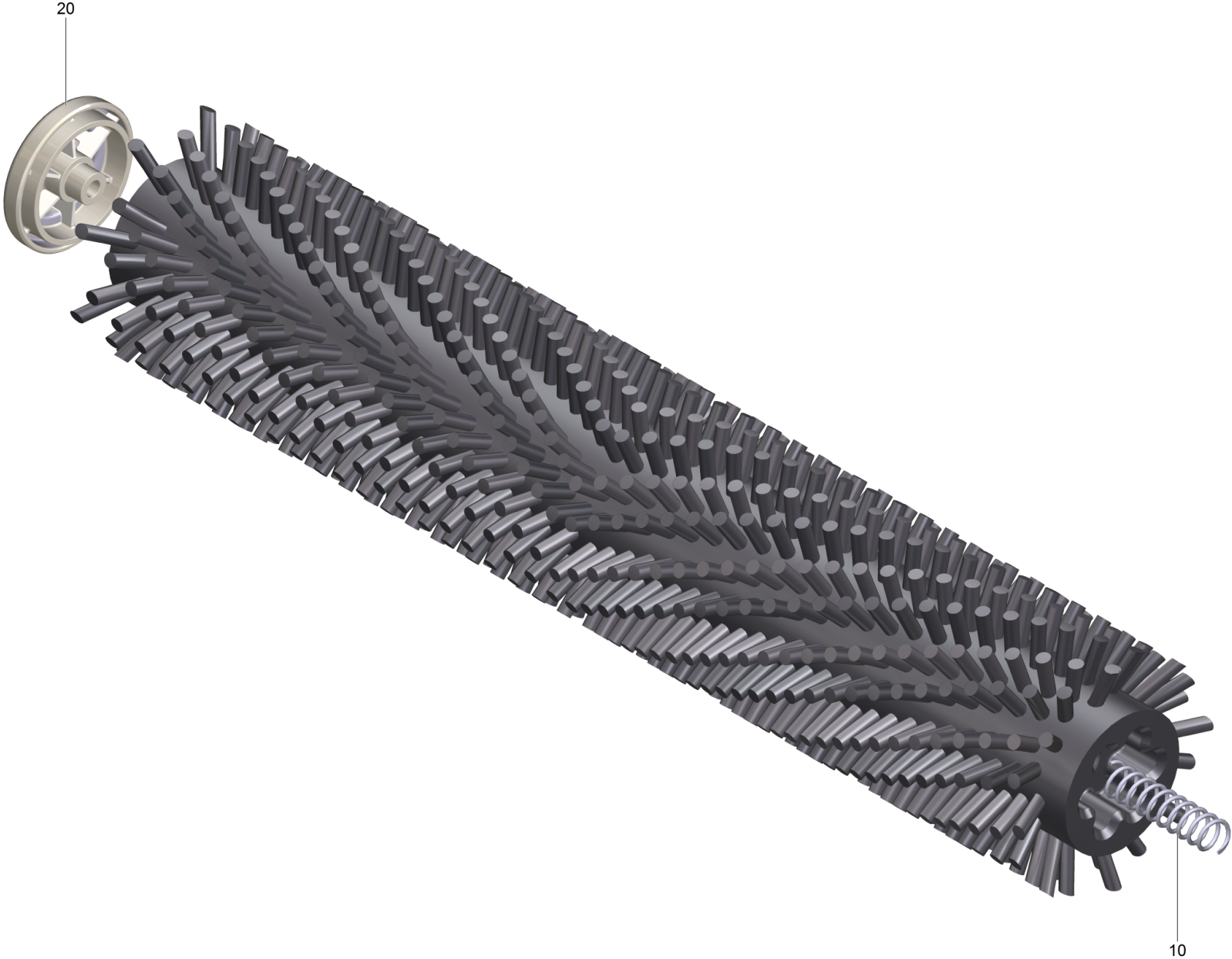
15 Suction bar complete oil resistant 300 (4.777-324.0)

POS	Article no.	Description	Quantity	Unit
30	5.033-199.0	Clip suction bar	1	PC



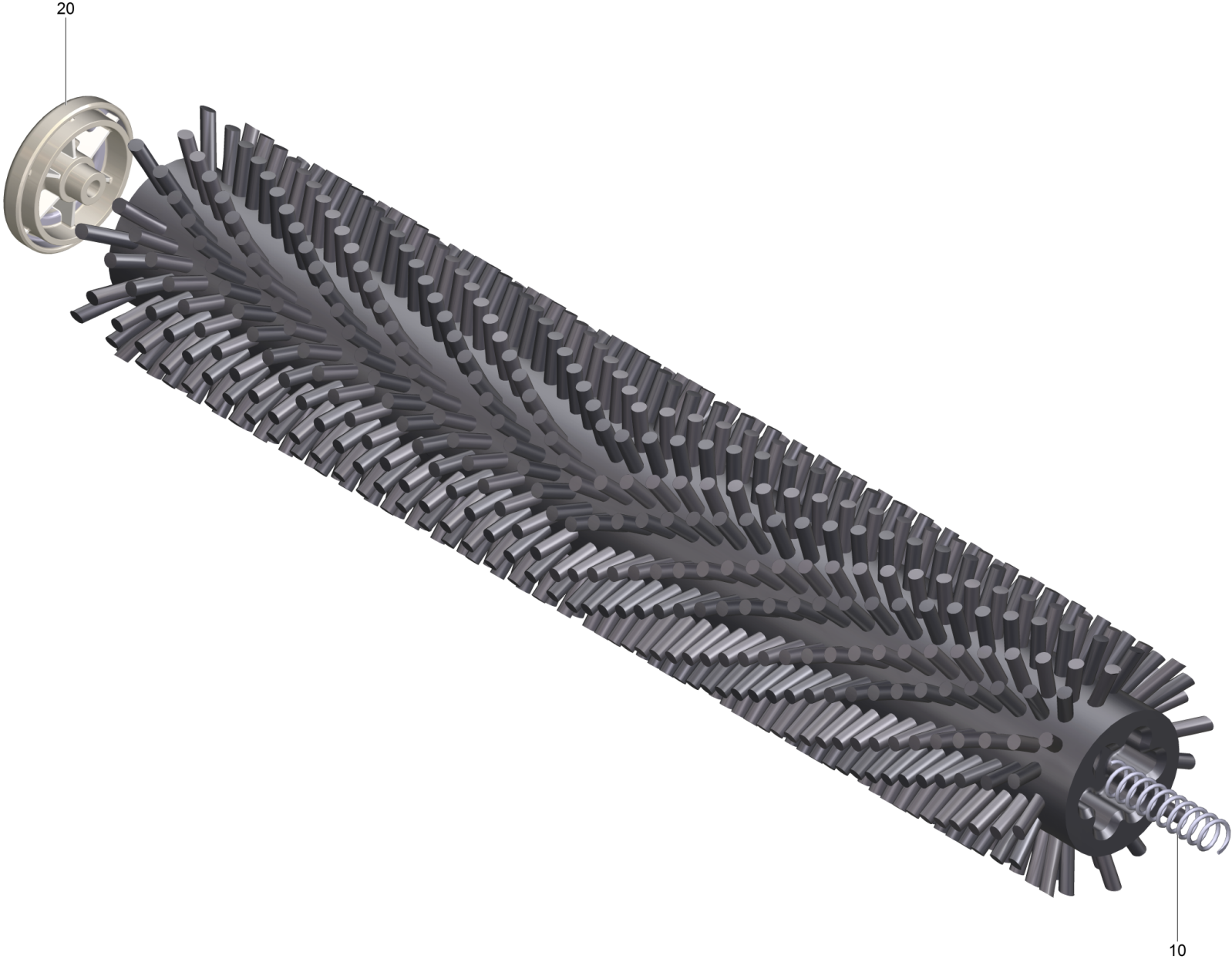
18 Brush roll complete middle rot 300 mm (4.762-005.0)

POS	Article no.	Description	Quantity	Unit
10	5.332-082.0	Helical spring	1	PC
20	5.033-230.0	Thread deflector	1	PC



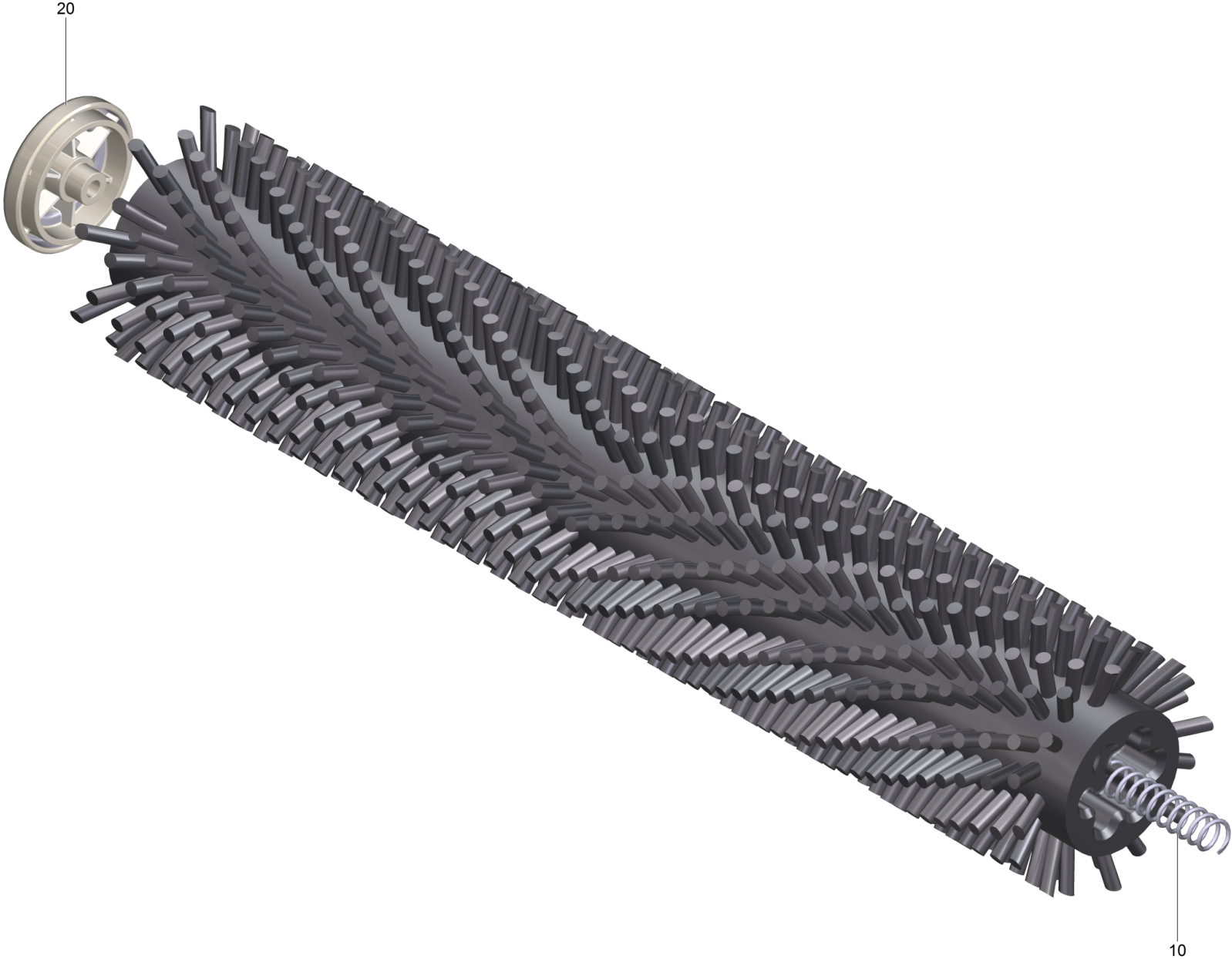
18 Brush roll complete white 300 mm (4.762-452.0)

POS	Article no.	Description	Quantity	Unit
10	5.332-082.0	Helical spring	1	PC
20	5.033-230.0	Thread deflector	1	PC



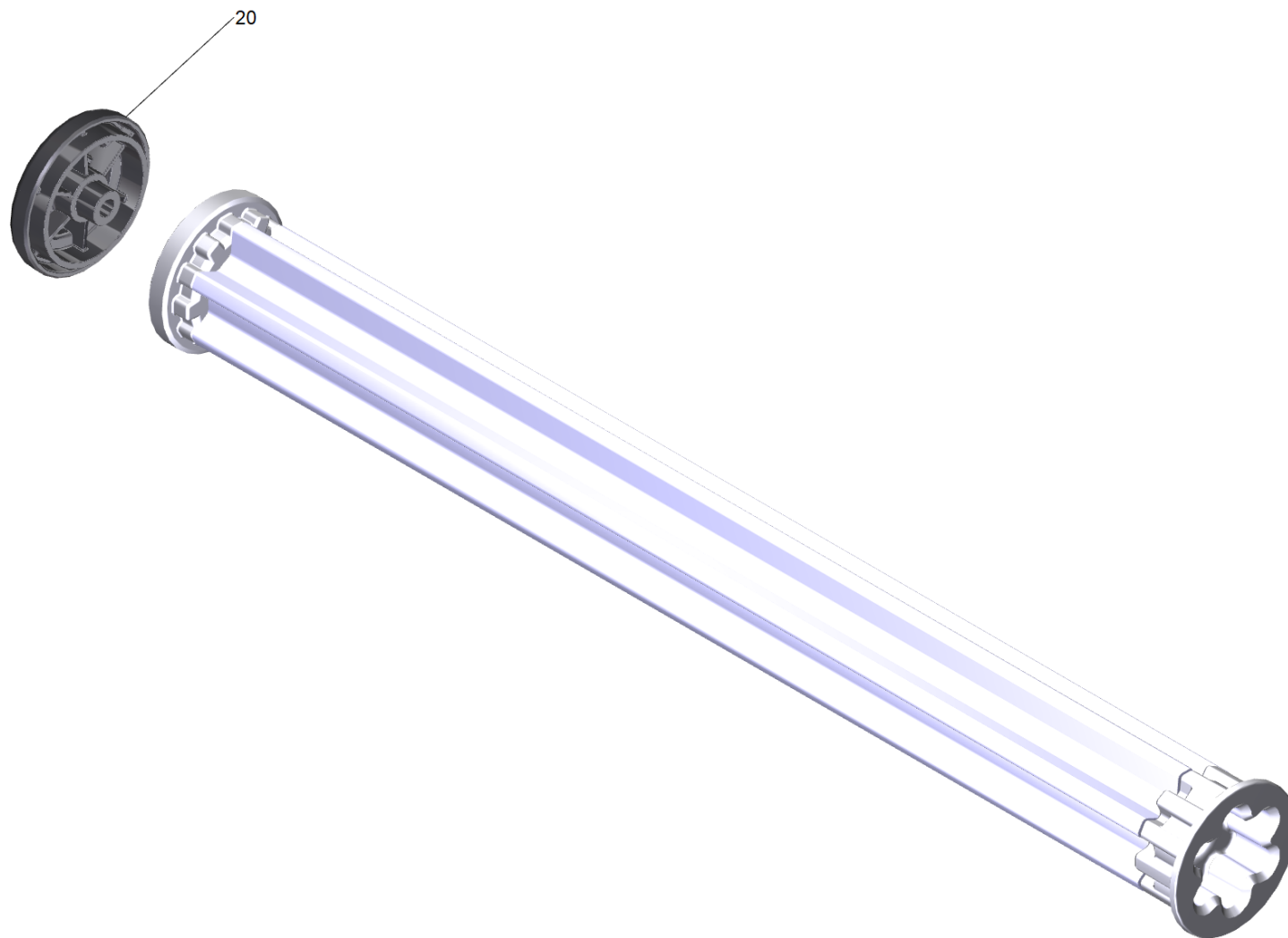
18 Roll micro-fibre complete (4.762-453.0)

POS	Article no.	Description	Quantity	Unit
10	5.332-082.0	Helical spring	1	PC
20	5.033-230.0	Thread deflector	1	PC



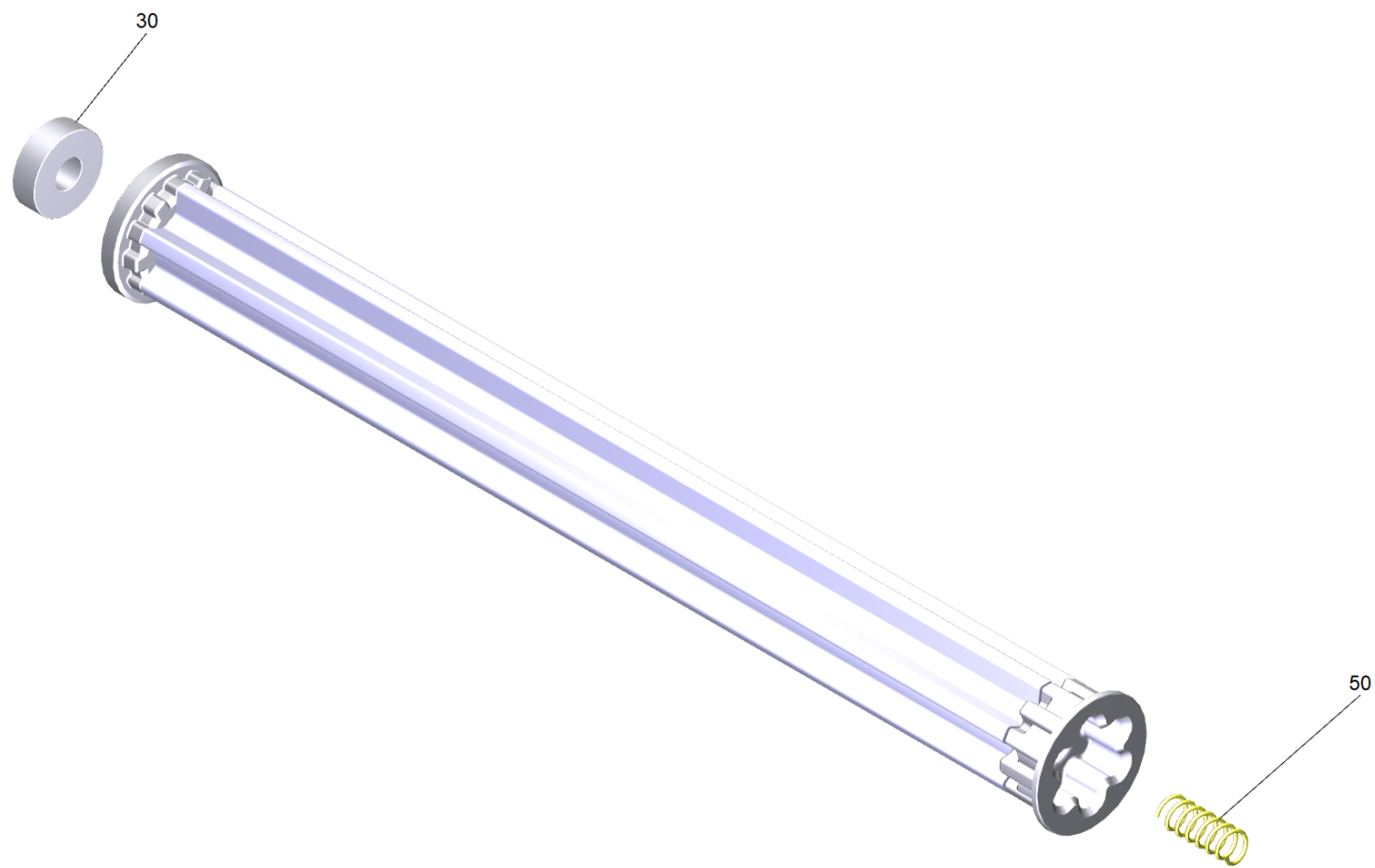
18 Brush roll complete orange 300 mm (4.762-484.0)

POS	Article no.	Description	Quantity	Unit
10	5.332-082.0	Helical spring	1	PC
20	5.033-230.0	Thread deflector	1	PC



9015 Pad roll complete (4.762-668.0)

POS	Article no.	Description	Quantity	Unit
10		Pad roll	1	PC
9510	6.371-360.0	Roller pad hard green 58-20ST	1	ZSA
9500	6.371-359.0	Roller pad middle red 58-24ST	1	ZSA
20	5.033-230.0	Thread deflector	1	PC



10 Pad roll

POS	Article no.	Description	Quantity	Unit
30	7.401-149.0	Ball bearing 608-2RS -Wälzl.St DIN 625	1	PC
50	5.332-082.0	Helical spring	1	PC